

US00D654207S

(12) **United States Design Patent**
Fletcher et al.

(10) **Patent No.:** **US D654,207 S**
(45) **Date of Patent:** **** Feb. 14, 2012**

(54) **LIGHTING FIXTURE**

(75) Inventors: **Robert Kenneth Yasuji Fletcher**,
Racine, WI (US); **Colin M. Graving**,
Oak Creek, WI (US); **Joseph R.**
Bokelman, Fitchburg, WI (US); **Thomas**
A. Littrell, Madison, WI (US)

(73) Assignee: **Electronic Theatre Controls, Inc.**,
Middleton, WI (US)

(**) Term: **14 Years**

(21) Appl. No.: **29/369,649**

(22) Filed: **Sep. 10, 2010**

(51) **LOC (9) Cl.** **26-03**

(52) **U.S. Cl.** **D26/85; D26/63**

(58) **Field of Classification Search** D26/63-65,
D26/72, 85, 128; 362/147, 269, 271, 273,
362/431, 432, 404-408

See application file for complete search history.

(56) **References Cited**

U.S. PATENT DOCUMENTS

| | | | | |
|---------------|---------|----------------|-------|---------|
| D151,309 S * | 10/1948 | Witte | | D23/336 |
| D272,659 S * | 2/1984 | Medley | | D26/63 |
| 4,598,345 A * | 7/1986 | Kleeman | | 362/233 |
| D296,244 S * | 6/1988 | Donato | | D26/63 |
| D315,030 S * | 2/1991 | Jacobs et al. | | D26/63 |
| D348,744 S * | 7/1994 | Johnson et al. | | D26/63 |

| | | | | |
|----------------|--------|-------------------|-------|---------|
| 5,339,234 A * | 8/1994 | Russello et al. | | 362/419 |
| 5,345,371 A | 9/1994 | Cunningham et al. | | |
| 5,446,637 A | 8/1995 | Cunningham et al. | | |
| D407,518 S * | 3/1999 | Yeh | | D26/63 |
| 6,092,914 A | 7/2000 | Esakoff et al. | | |
| D437,956 S * | 2/2001 | Cogliano et al. | | D26/63 |
| D439,356 S * | 3/2001 | Martinson et al. | | D26/63 |
| 6,744,693 B2 * | 6/2004 | Brockmann et al. | | 362/321 |
| 6,932,491 B2 | 8/2005 | Esakoff | | |
| D547,895 S * | 7/2007 | Yifei | | D26/63 |
| D574,987 S * | 8/2008 | Waldmann | | D26/63 |

* cited by examiner

Primary Examiner — Clare E Heflin

(74) *Attorney, Agent, or Firm* — Michael Best & Friedrich LLP

(57) **CLAIM**

We claim the ornamental design for a lighting fixture, as shown and described.

DESCRIPTION

FIG. 1 is a perspective view of a lighting fixture embodying the present invention.

FIG. 2 is a right side view of the lighting fixture of FIG. 1.

FIG. 3 is a left side view of the lighting fixture of FIG. 1.

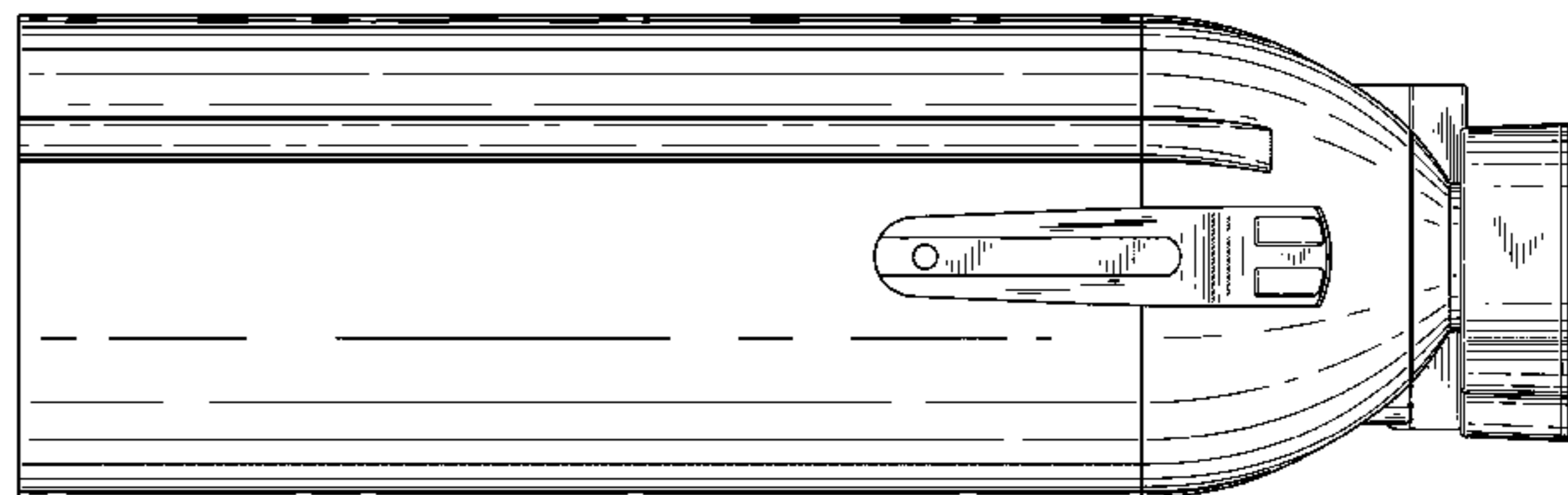
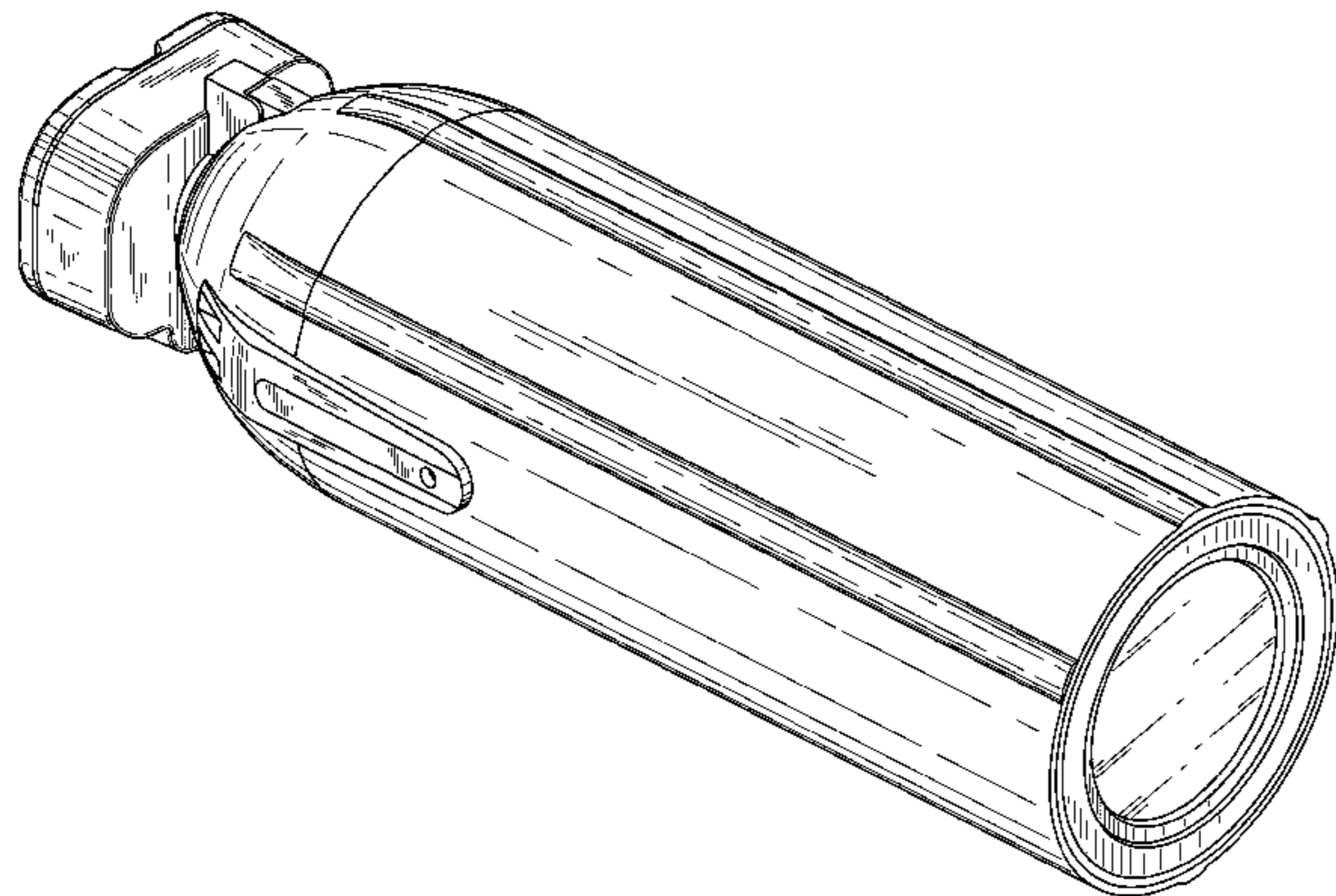
FIG. 4 is a top view of the lighting fixture of FIG. 1.

FIG. 5 is a bottom view of the lighting fixture of FIG. 1.

FIG. 6 is a front view of the lighting fixture of FIG. 1; and,

FIG. 7 is a rear view of the lighting fixture of FIG. 1.

1 Claim, 6 Drawing Sheets



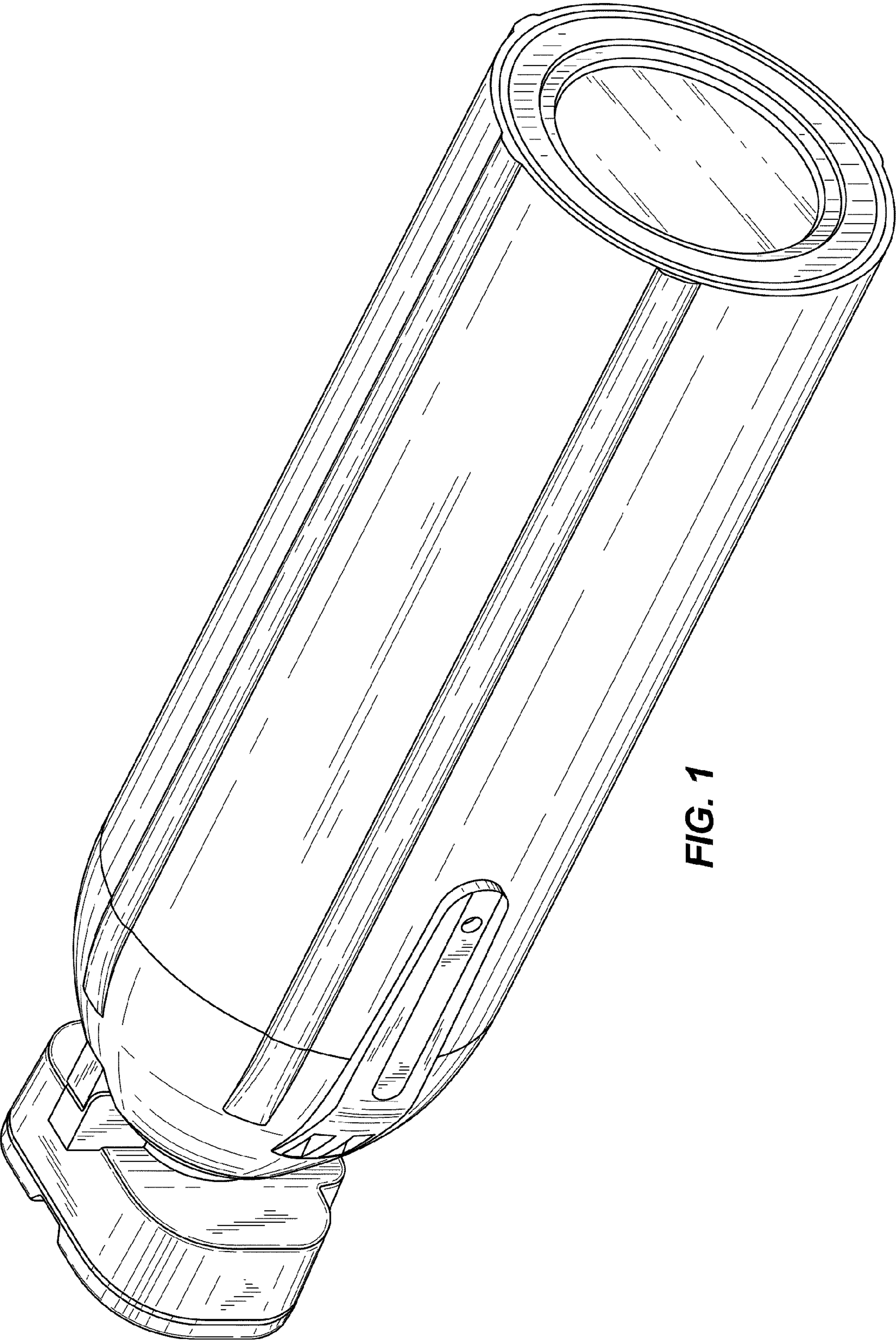


FIG. 1

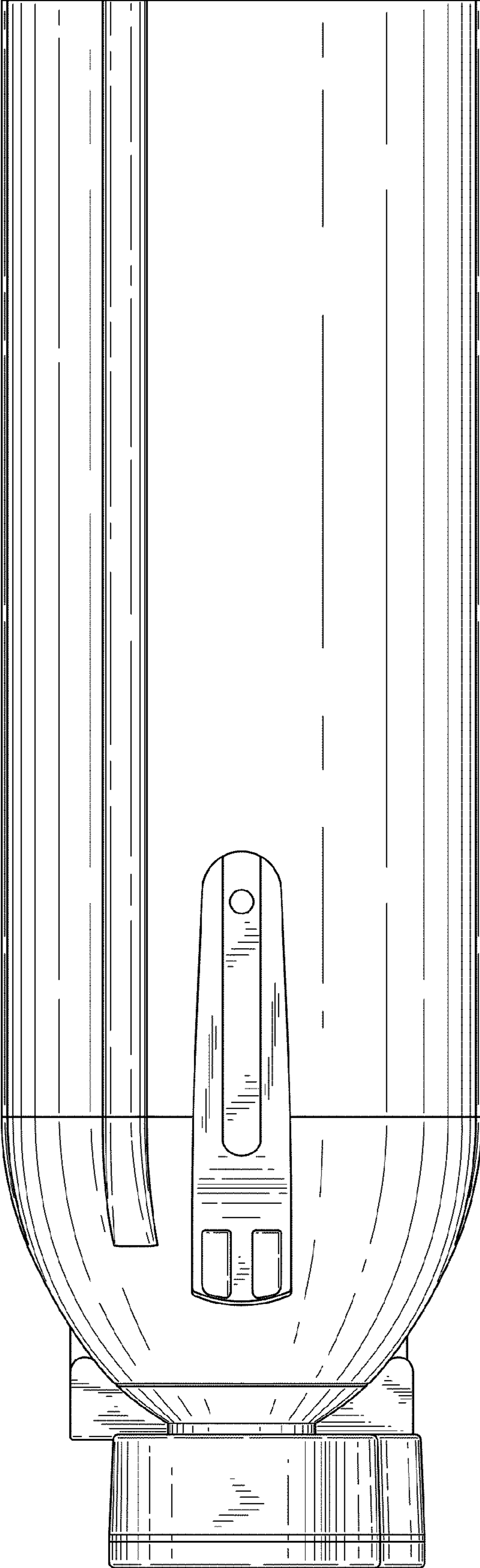


FIG. 2

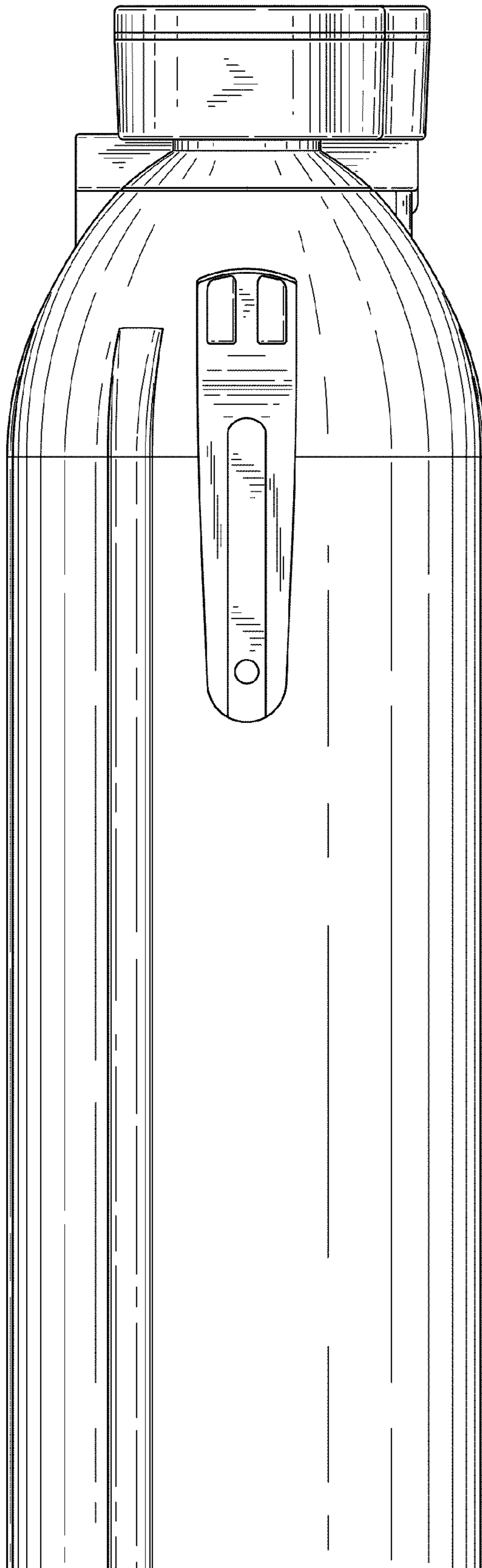


FIG. 3

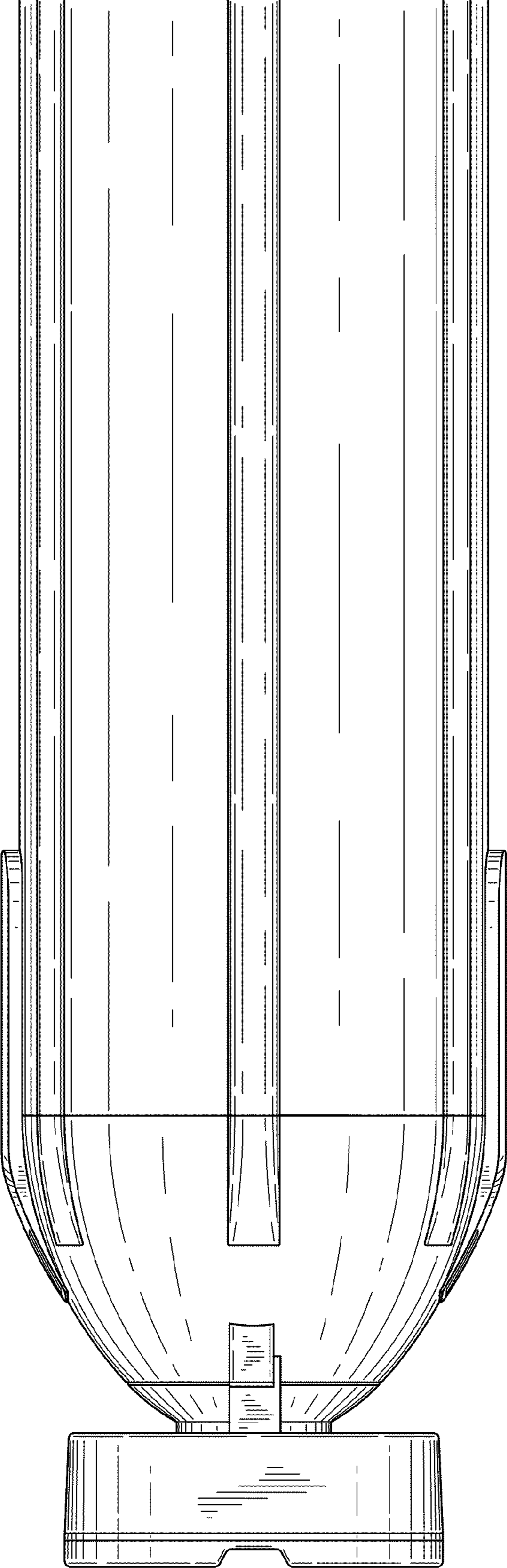


FIG. 4

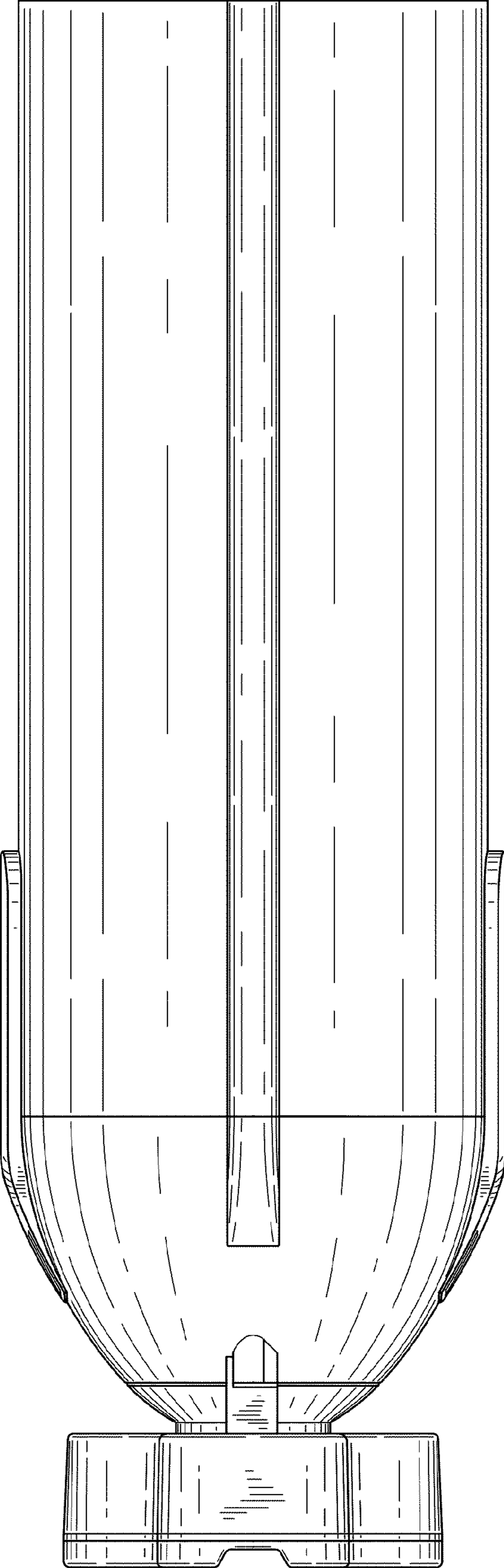


FIG. 5

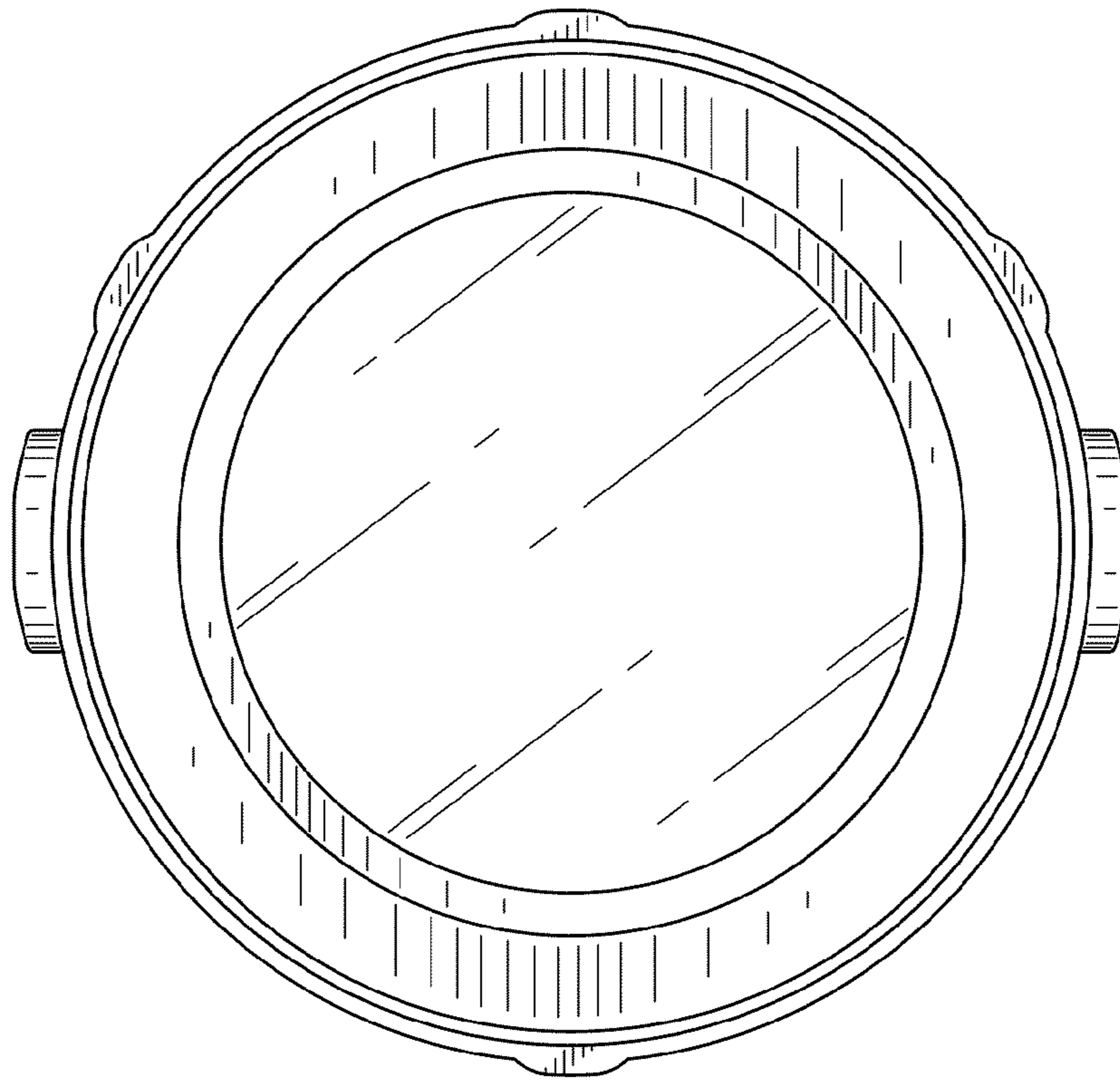


FIG. 6

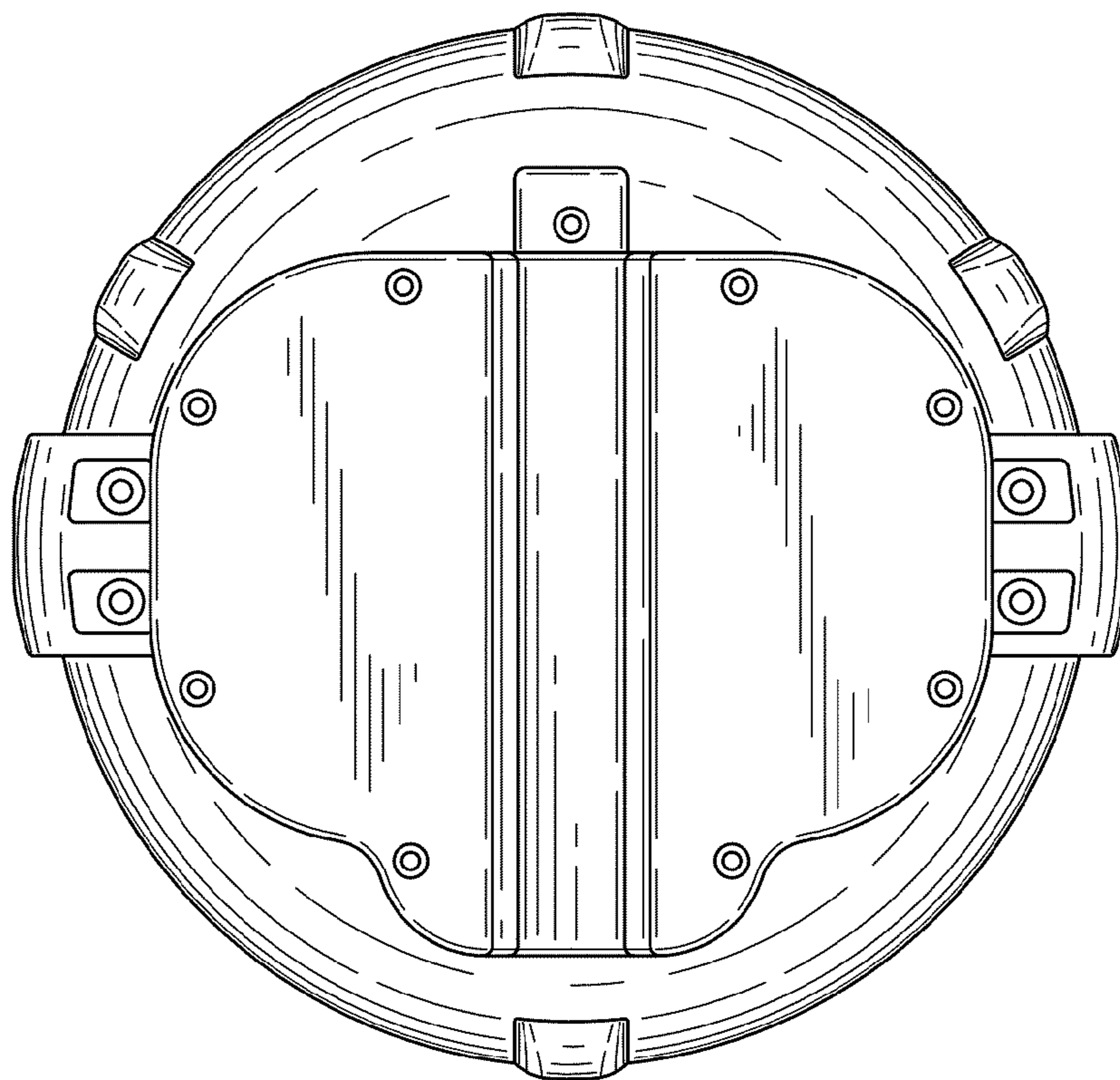


FIG. 7