



US00D654205S

(12) **United States Design Patent**  
**Rashidi**

(10) **Patent No.:** **US D654,205 S**

(45) **Date of Patent:** **\*\* \*Feb. 14, 2012**

(54) **LED LIGHT WITH PLAIN TRIM**

(76) Inventor: **Hamid Rashidi**, Montebello, CA (US)

(\* ) Notice: This patent is subject to a terminal disclaimer.

(\*\*) Term: **14 Years**

(21) Appl. No.: **29/370,505**

(22) Filed: **Jul. 27, 2010**

(51) **LOC (9) Cl.** ..... **26-05**

(52) **U.S. Cl.** ..... **D26/74**

(58) **Field of Classification Search** ..... D26/24,  
D26/72, 74, 80, 81, 83, 85, 88, 61, 63, 118;  
362/576, 89, 145, 147, 148, 150, 151, 152,  
362/153, 153.1, 294, 296.01, 311.02, 311.07,  
362/364, 365, 366, 373

See application file for complete search history.

(56) **References Cited**

**U.S. PATENT DOCUMENTS**

D326,537 S *	5/1992	Gattari	.....	D26/74
D573,294 S *	7/2008	Chan et al.	.....	D26/74
D591,894 S *	5/2009	Flank	.....	D26/74
D595,005 S *	6/2009	Chou	.....	D26/74
D610,289 S *	2/2010	Yoshinobu et al.	.....	D26/74
D610,290 S *	2/2010	Yoshinobu et al.	.....	D26/74

D610,291 S *	2/2010	Yoshinobu et al.	.....	D26/74
7,670,021 B2 *	3/2010	Chou	.....	362/148
D624,691 S *	9/2010	Zhang et al.	.....	D26/138
D631,588 S *	1/2011	Bergmann et al.	.....	D26/63
2010/0039829 A1 *	2/2010	Tsai	.....	362/373
2010/0061108 A1 *	3/2010	Zhang et al.	.....	362/364
2010/0195327 A1 *	8/2010	Inoue et al.	.....	362/235

\* cited by examiner

*Primary Examiner* — Angela J Lee

(74) *Attorney, Agent, or Firm* — Thomas I. Rozsa

(57) **CLAIM**

The ornamental design for an LED light with plain trim, as shown and described.

**DESCRIPTION**

FIG. 1 is a side perspective view of the LED light with plain trim, showing my design:

FIG. 2 is a right side view thereof;

FIG. 3 is a left side view thereof;

FIG. 4 is a front view thereof;

FIG. 5 is a rear view thereof;

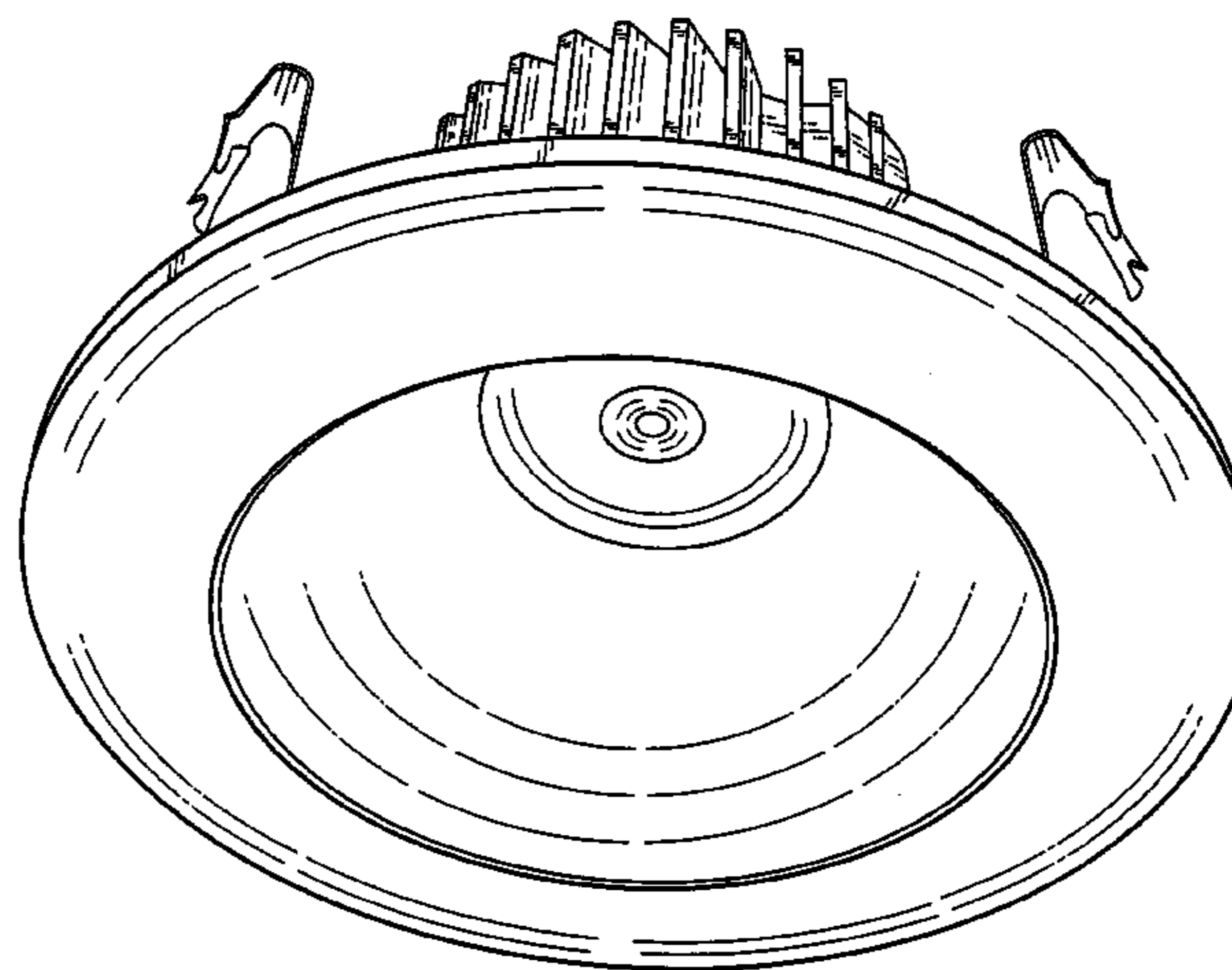
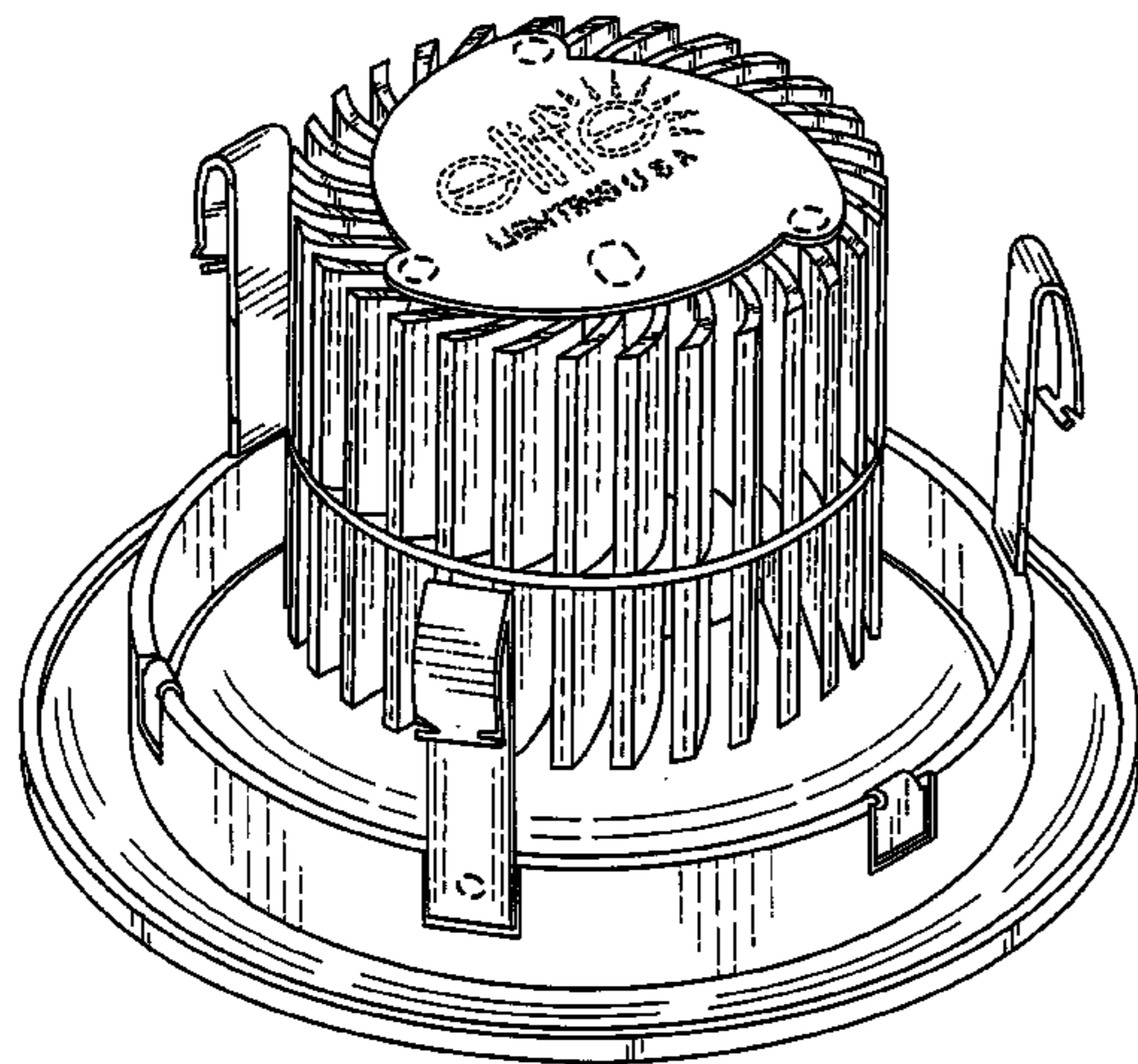
FIG. 6 is a top view thereof;

FIG. 7 is a bottom view thereof; and,

FIG. 8 is a bottom perspective view thereof.

The portions of the LED light with plain trim shown in broken lines form no part of the claimed design.

**1 Claim, 8 Drawing Sheets**



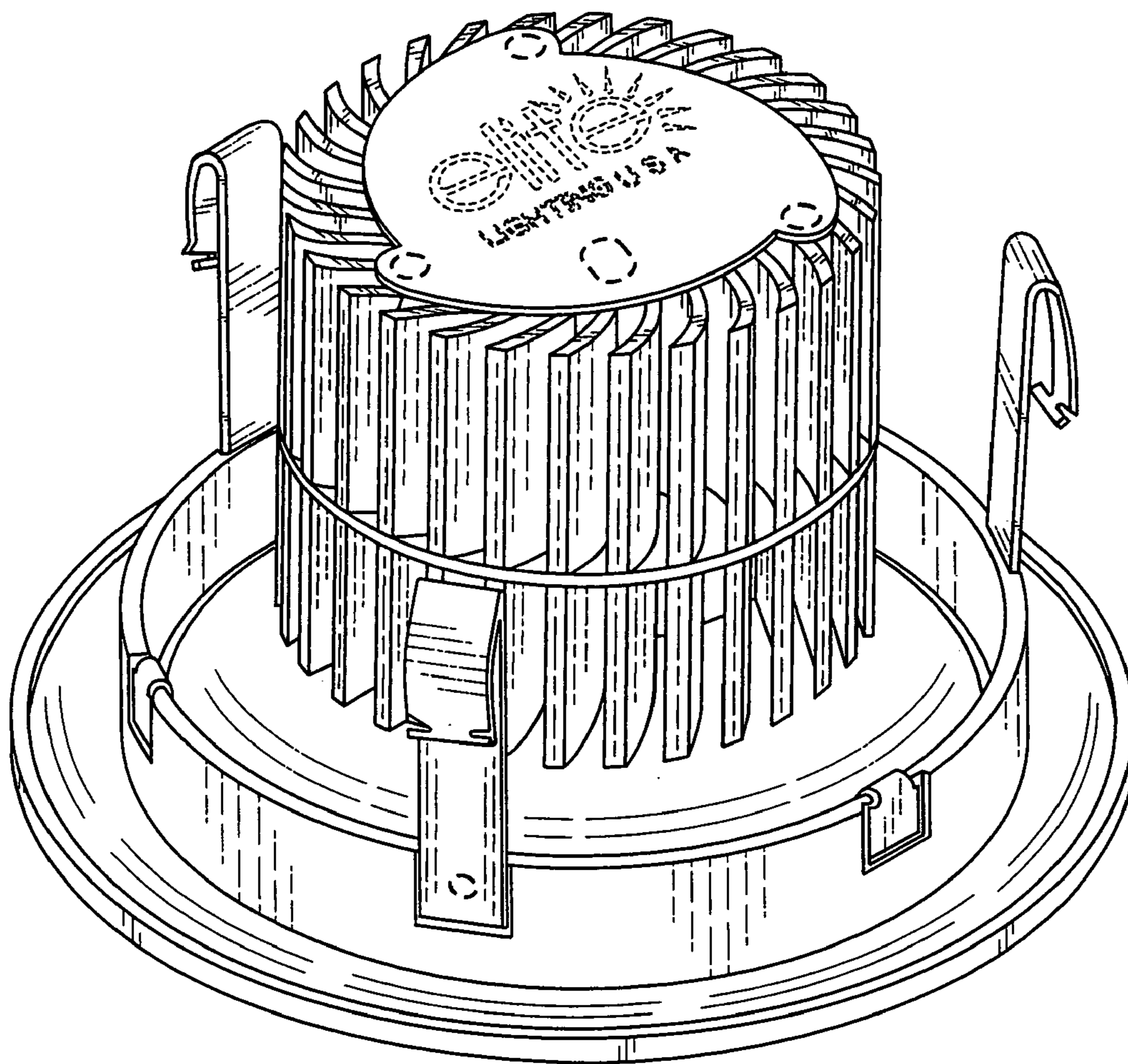


FIG. 1

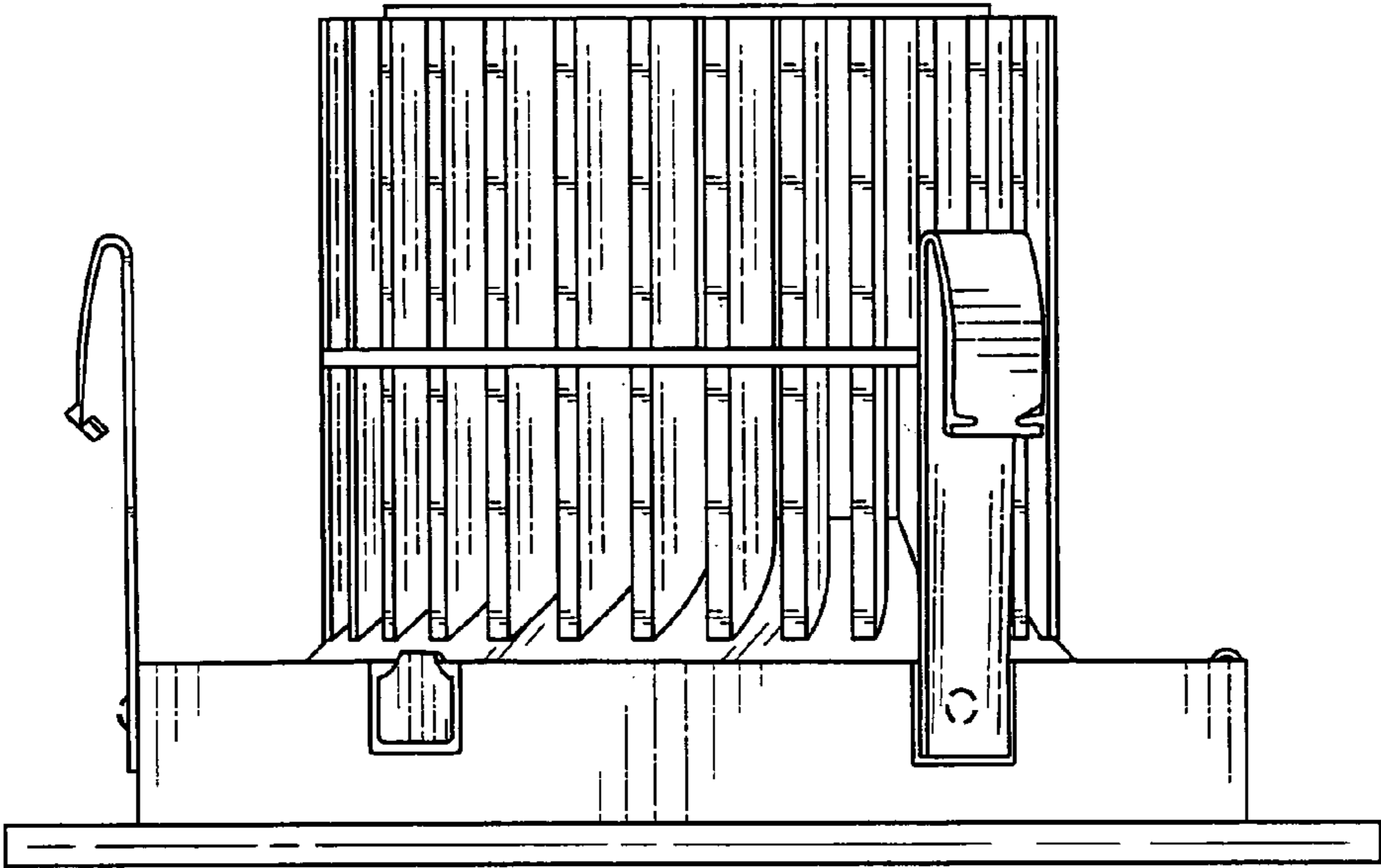


FIG. 2

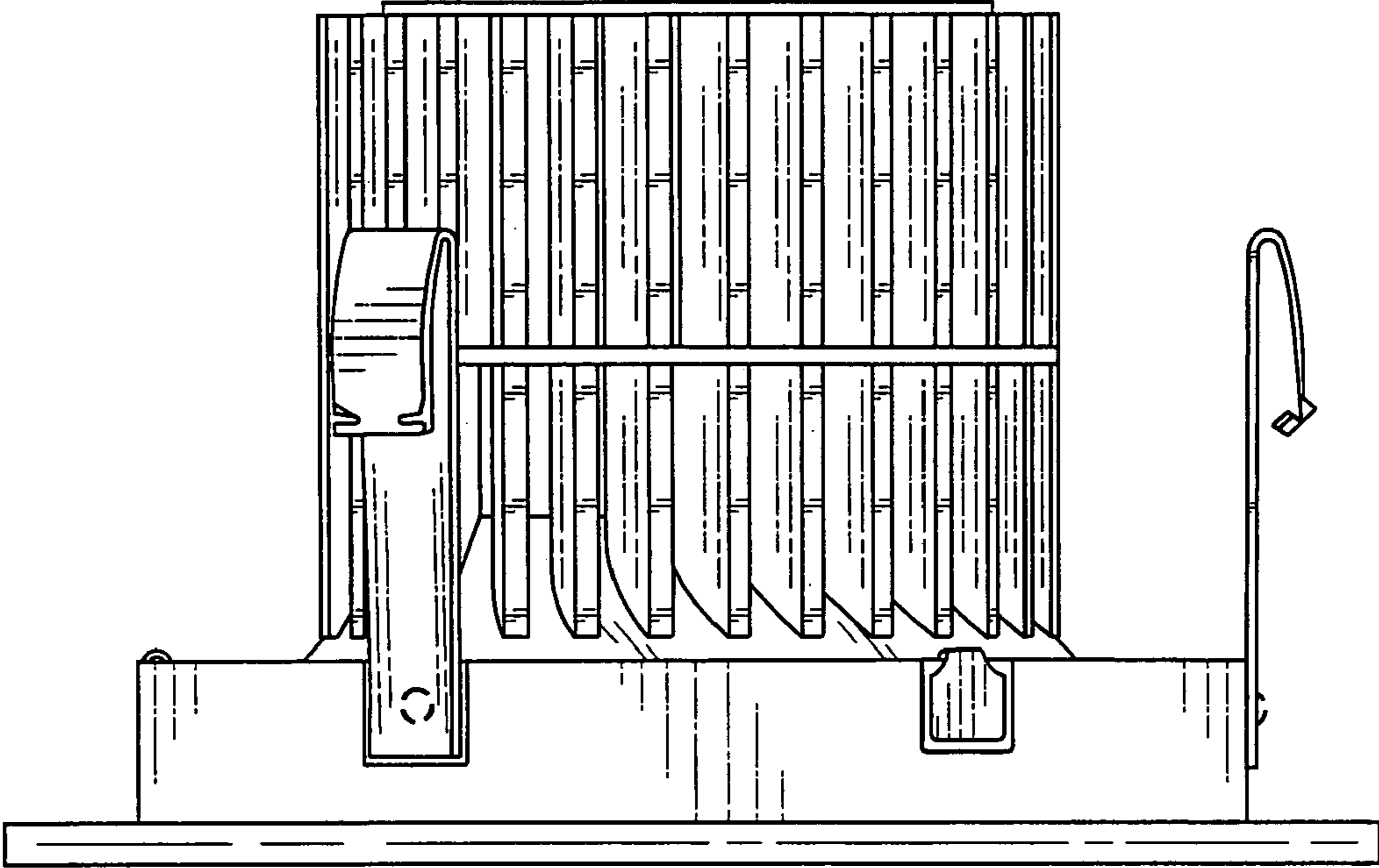


FIG. 3

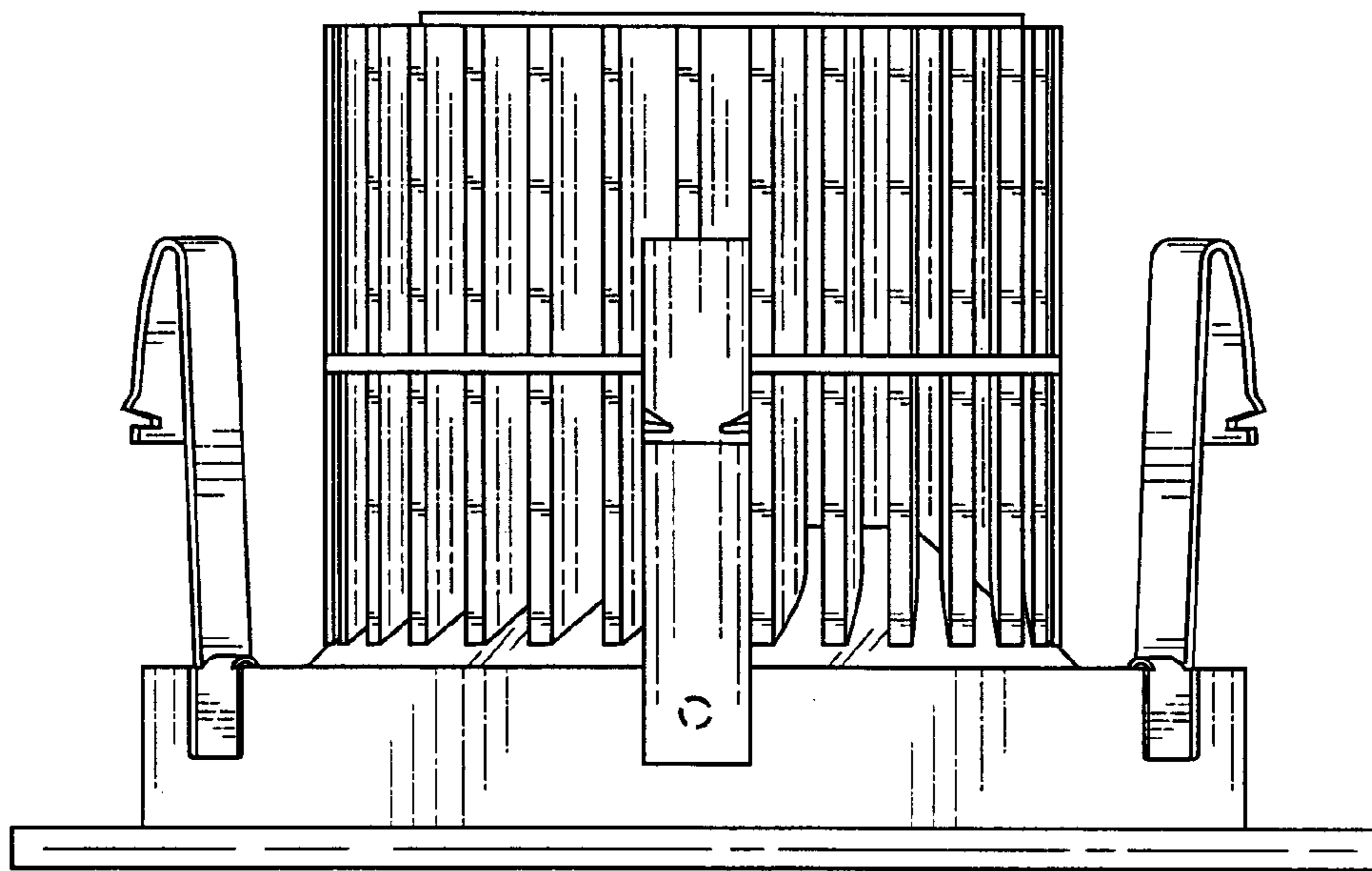


FIG. 4



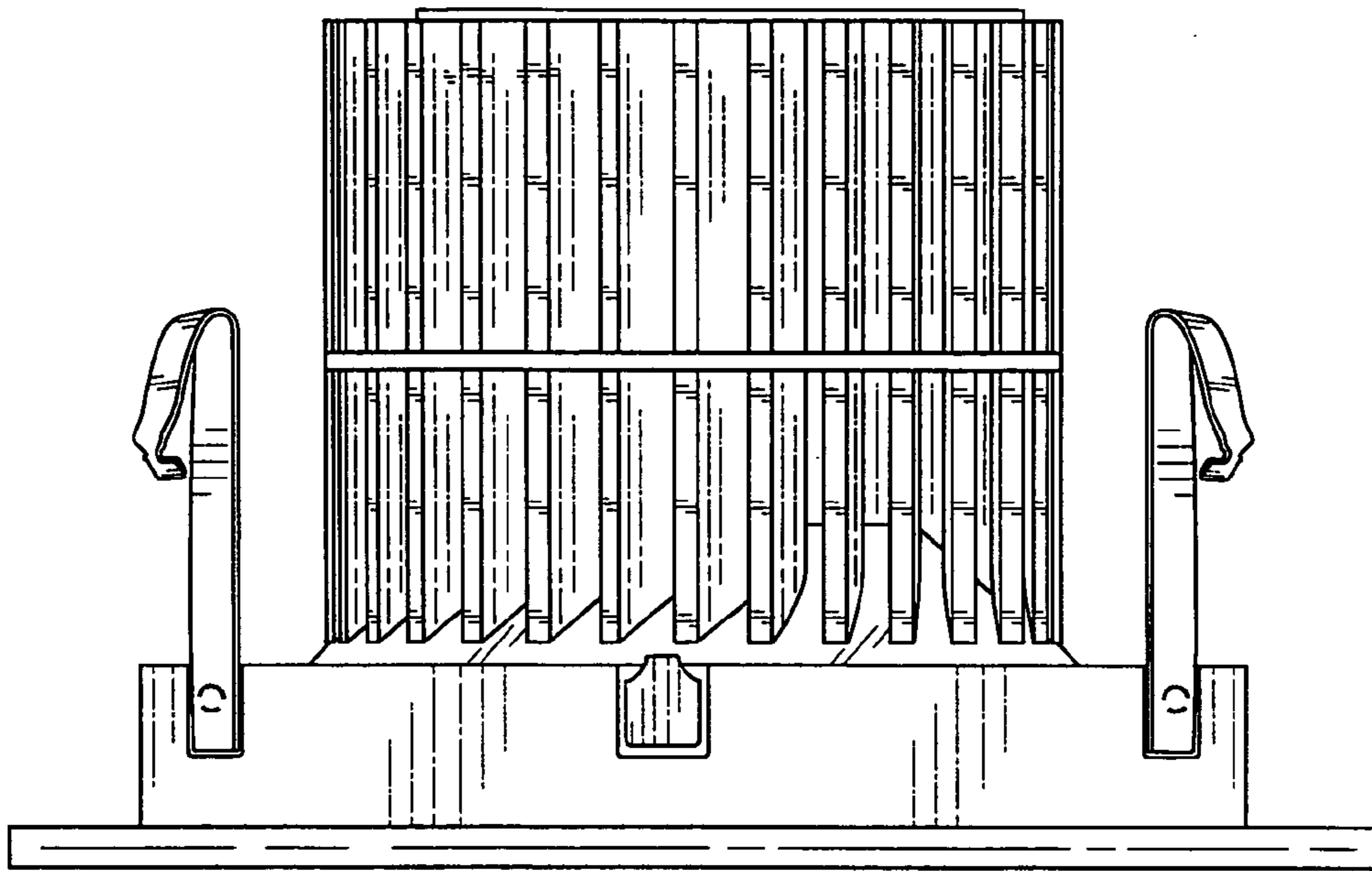


FIG. 5

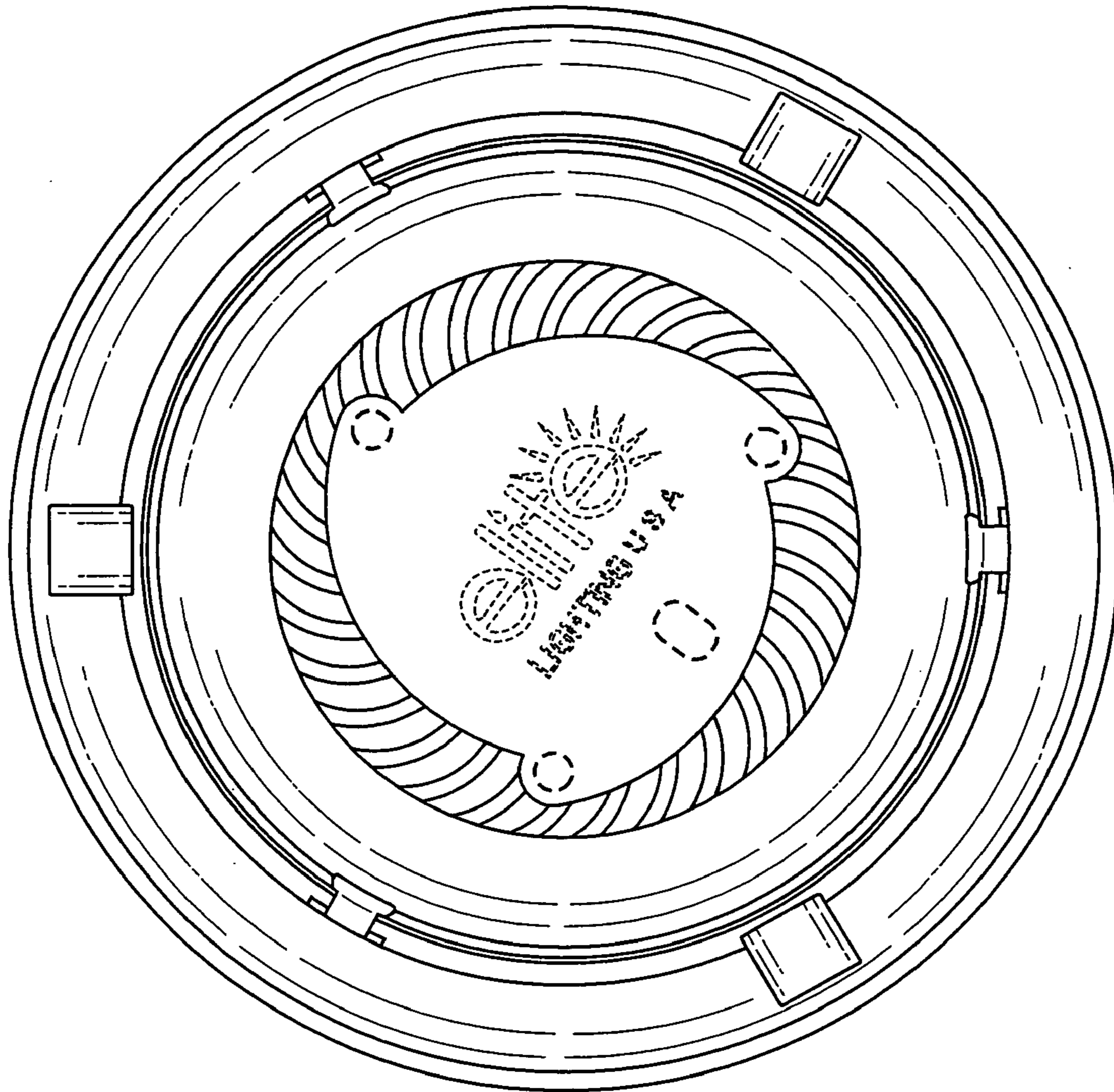


FIG. 6

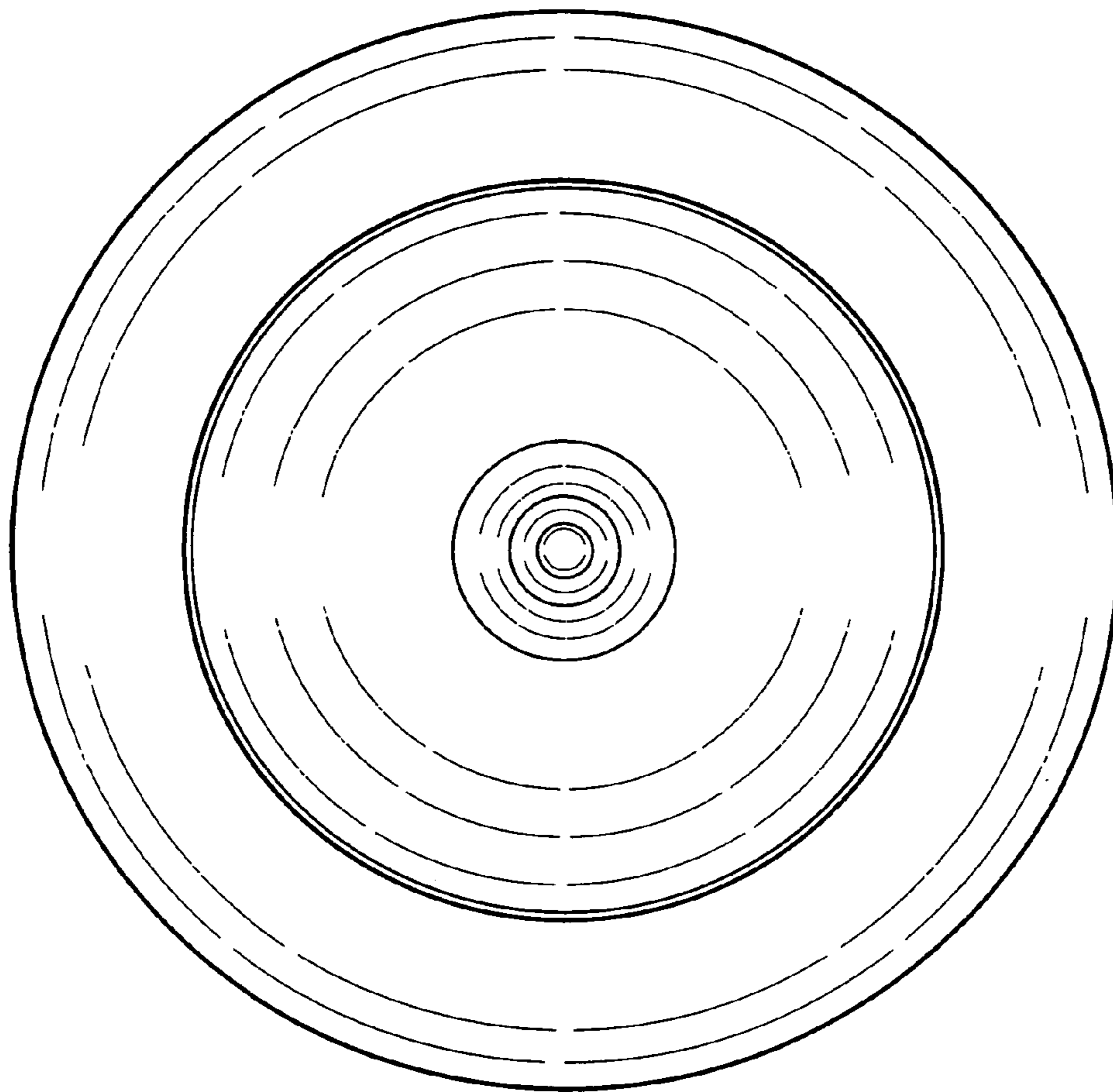


FIG. 7



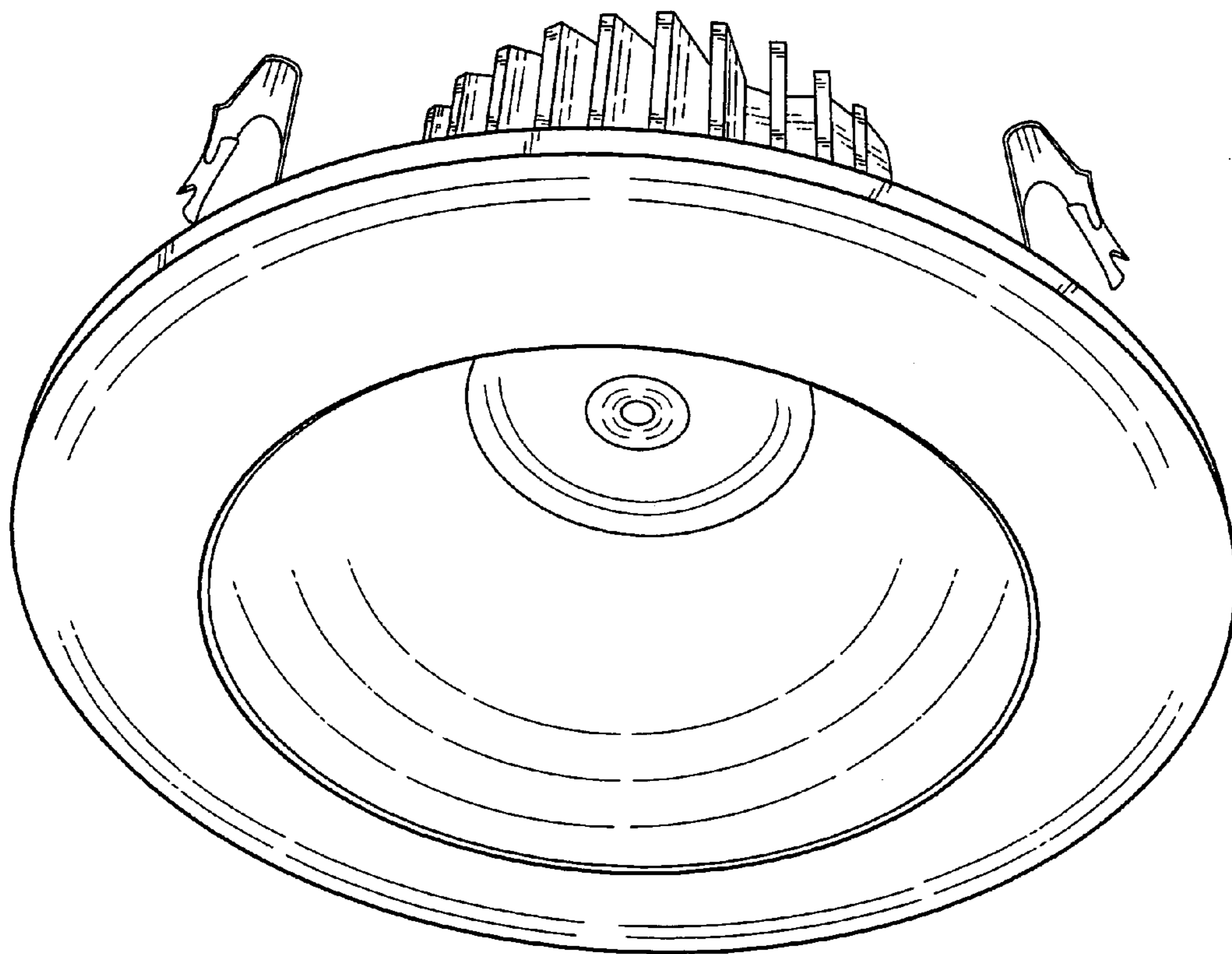


FIG. 8