



US00D654204S

(12) **United States Design Patent**  
**Friesen**

(10) **Patent No.:** **US D654,204 S**

(45) **Date of Patent:** **\*\* Feb. 14, 2012**

(54) **POOL TABLE LIGHT FIXTURE**

(76) Inventor: **Ron Friesen**, St. Catharines (CA)

(\*\*) Term: **14 Years**

(21) Appl. No.: **29/372,449**

(22) Filed: **Nov. 22, 2010**

(51) **LOC (9) Cl.** ..... **26-05**

(52) **U.S. Cl.** ..... **D26/73**

(58) **Field of Classification Search** ..... D26/72,  
D26/73, 75, 76, 80-86, 89; 362/147, 404-408,  
362/432

See application file for complete search history.

(56) **References Cited**

**U.S. PATENT DOCUMENTS**

D128,478 S	7/1941	Carter, Jr.	
D140,303 S *	2/1945	Lepore	D26/76
4,029,313 A	6/1977	Angulo	
D319,513 S *	8/1991	Vande Kieft	D26/88
D380,062 S *	6/1997	Hsu	D26/73
D440,001 S *	4/2001	Marella	D26/73
D441,479 S	5/2001	McCormick	
6,328,461 B1	12/2001	Yunker	
D457,980 S *	5/2002	Lane	D26/73

D459,825 S	7/2002	Field	
D512,173 S *	11/2005	Benensohn	D26/76
D551,378 S	9/2007	Nunes	
D564,694 S *	3/2008	Southern, Jr.	D26/85
D585,581 S *	1/2009	Purcell	D26/85
D604,871 S *	11/2009	Denton	D26/24
D636,108 S *	4/2011	Nguyen et al.	D26/89
D641,097 S *	7/2011	Kocks	D26/89

\* cited by examiner

*Primary Examiner* — Clare E Heflin

(74) *Attorney, Agent, or Firm* — Ron W. Friesen

(57) **CLAIM**

The ornamental design for a pool table light fixture, as shown and described.

**DESCRIPTION**

FIG. 1 is an isometric view of a pool table light fixture showing the new design;

FIG. 2 is a bottom view thereof;

FIG. 3 is a top view thereof;

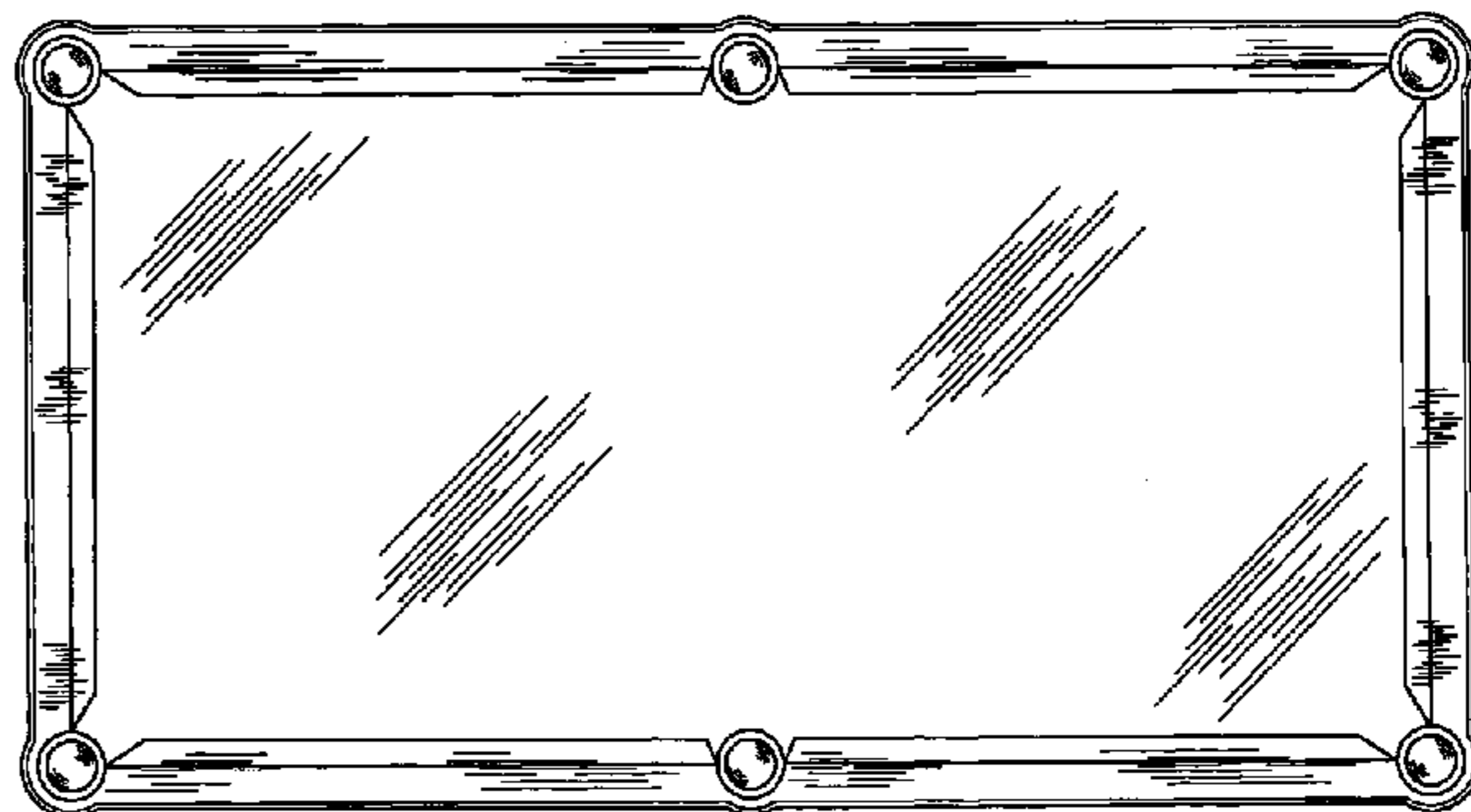
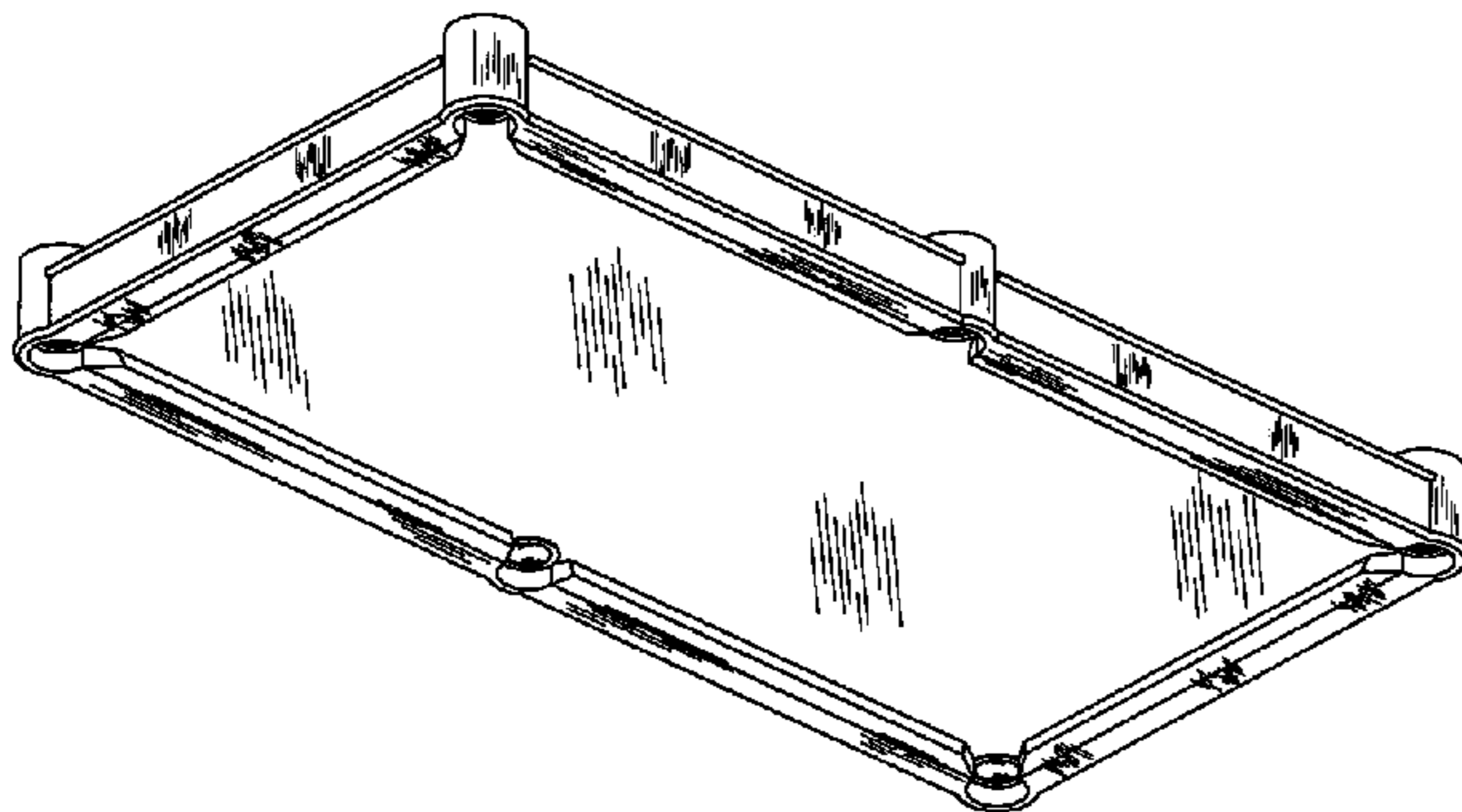
FIG. 4 is a left side view thereof;

FIG. 5 is a right side view thereof;

FIG. 6 is an end view thereof; and,

FIG. 7 is an opposite end view there.

**1 Claim, 4 Drawing Sheets**



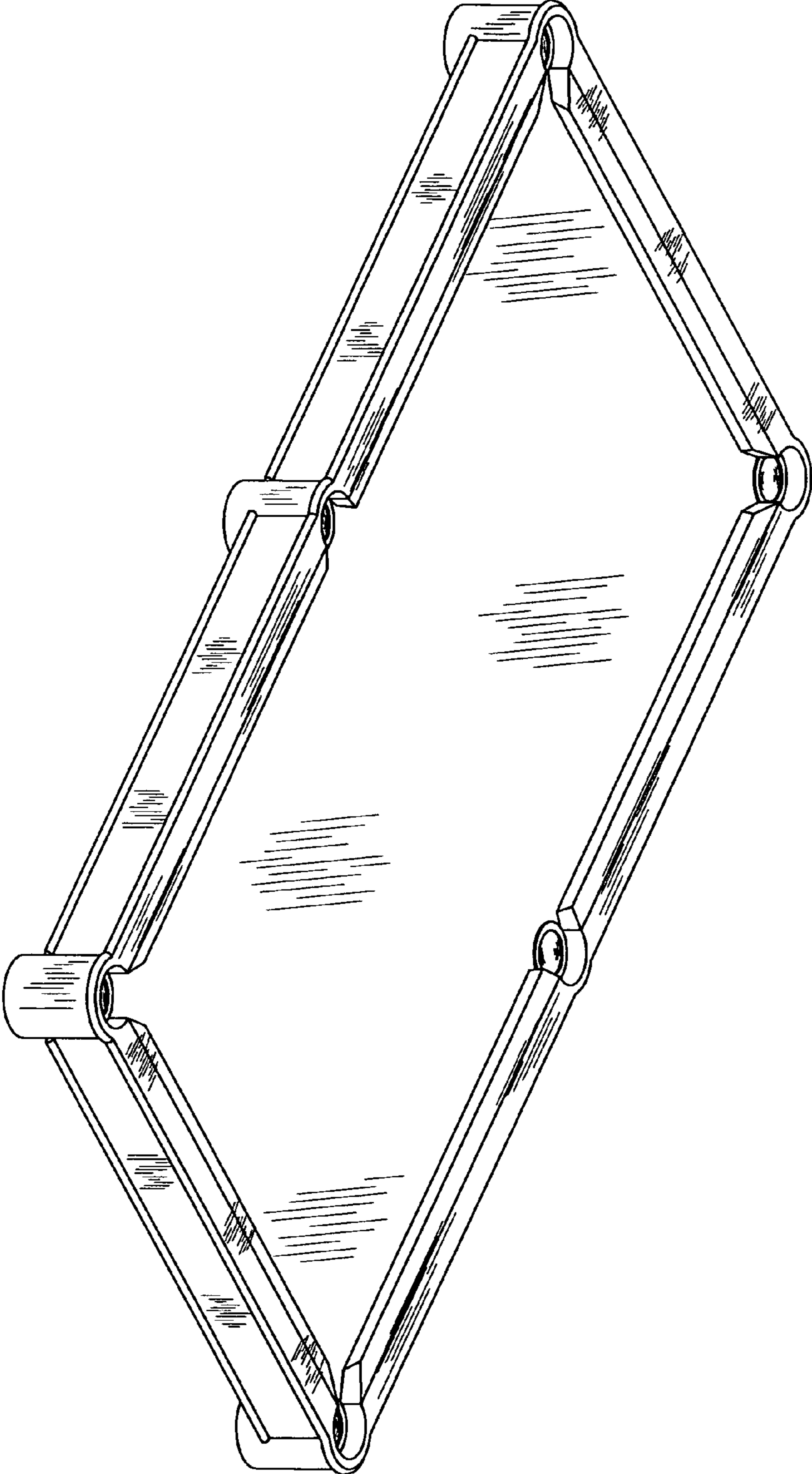


FIG. 1

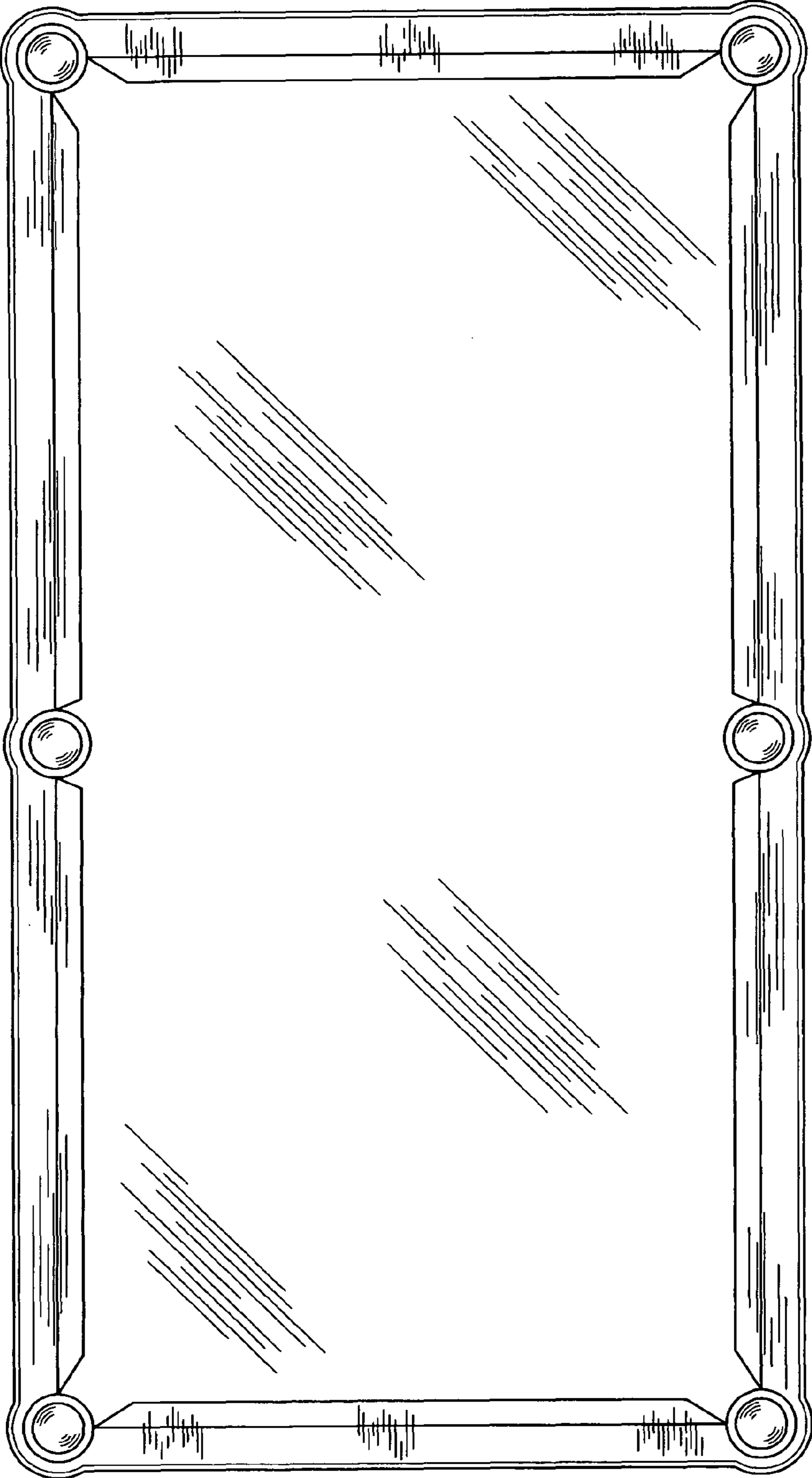


FIG. 2

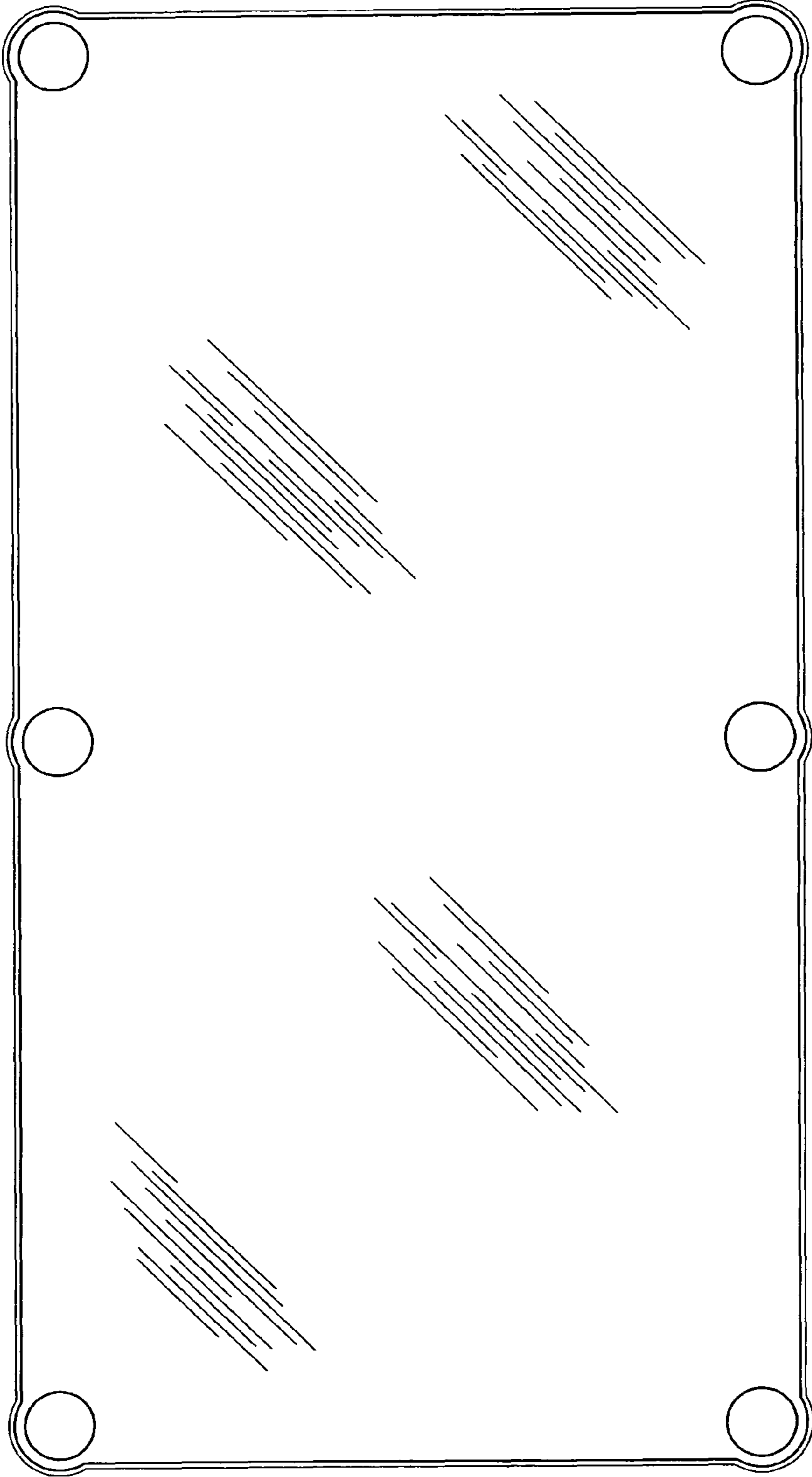


FIG. 3

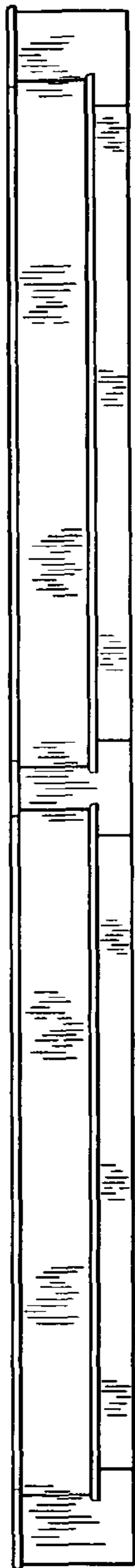


FIG. 4

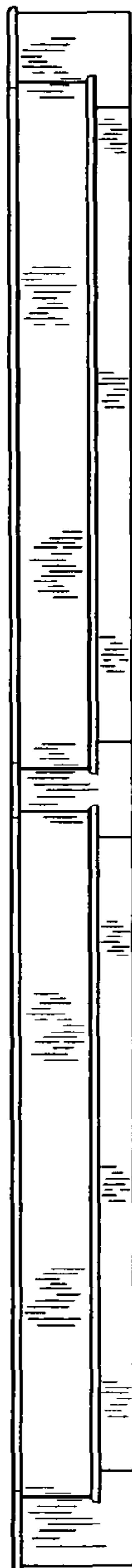


FIG. 5

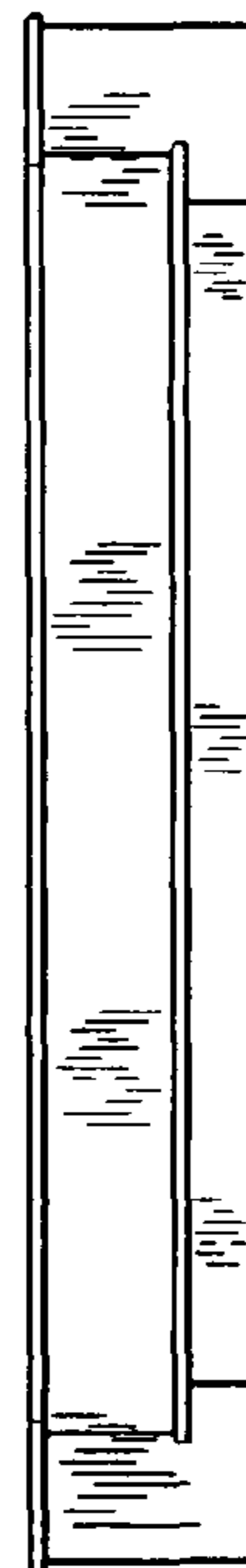


FIG. 6

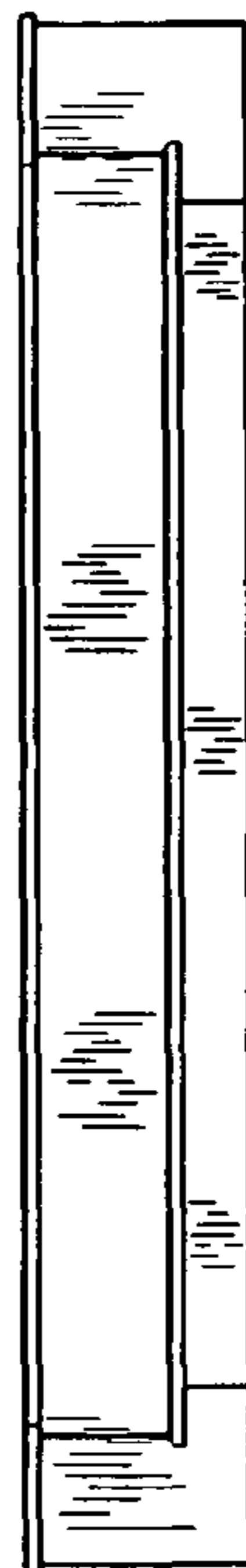


FIG. 7