



US00D654203S

(12) **United States Design Patent**
Kuan et al.

(10) **Patent No.:** **US D654,203 S**

(45) **Date of Patent:** **** Feb. 14, 2012**

(54) **OUTDOOR LAMP**

(75) Inventors: **Hsin-Ning Kuan**, Wugu Township,
Taipei County (TW); **Chang-sheng Lin**,
Wugu Township, Taipei County (TW)

(73) Assignee: **Thermoking Technology International
Co.**, Taipei County (TW)

(**) Term: **14 Years**

(21) Appl. No.: **29/377,290**

(22) Filed: **Oct. 20, 2010**

(51) **LOC (9) Cl.** **26-05**

(52) **U.S. Cl.** **D26/71**

(58) **Field of Classification Search** D26/67-71,
D26/85, 92; 362/145, 183, 231, 240, 249.02,
362/249.03, 249.04, 249.06, 249.16, 373,
362/311.02, 697, 547, 431, 432
See application file for complete search history.

(56) **References Cited**

U.S. PATENT DOCUMENTS

D198,183 S * 5/1964 Akely D26/71
D573,741 S * 7/2008 Lou D26/71
D603,077 S * 10/2009 Kinnune et al. D26/71

D610,287 S * 2/2010 Gill D26/71
D615,233 S * 5/2010 Josefowicz et al. D26/71
D619,748 S * 7/2010 Jong D26/71
7,771,087 B2 * 8/2010 Wilcox et al. 362/294
D627,093 S * 11/2010 Shiau et al. D26/71
2009/0251898 A1 * 10/2009 Kinnune et al. 362/249.02

* cited by examiner

Primary Examiner — Clare E Heflin

(74) *Attorney, Agent, or Firm* — Ming Chow; Sinorica, LLC

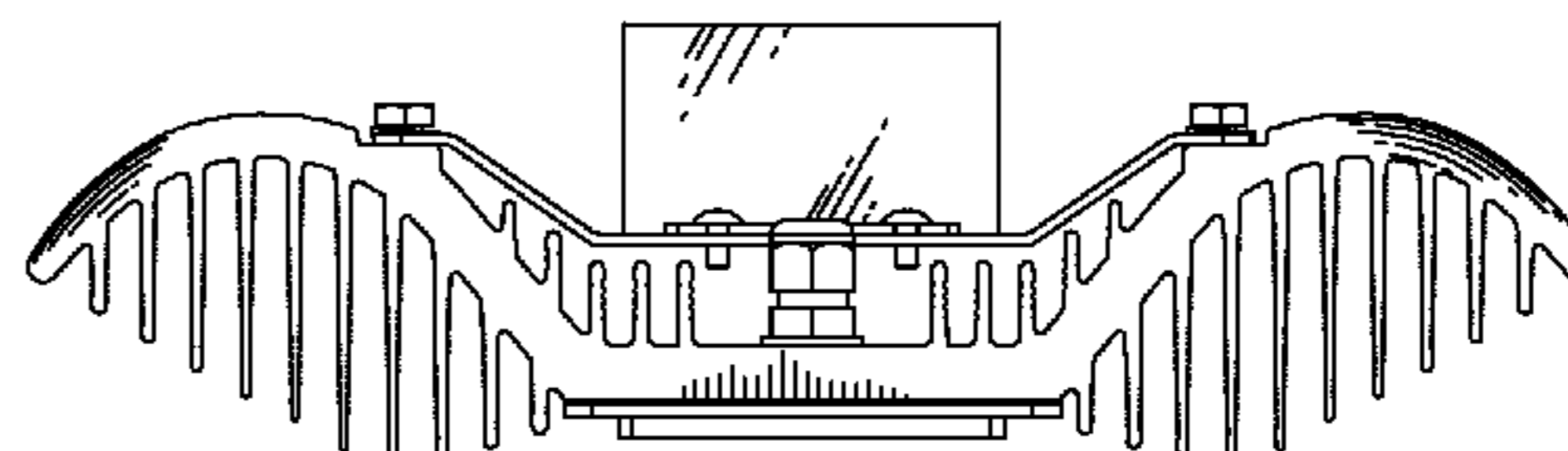
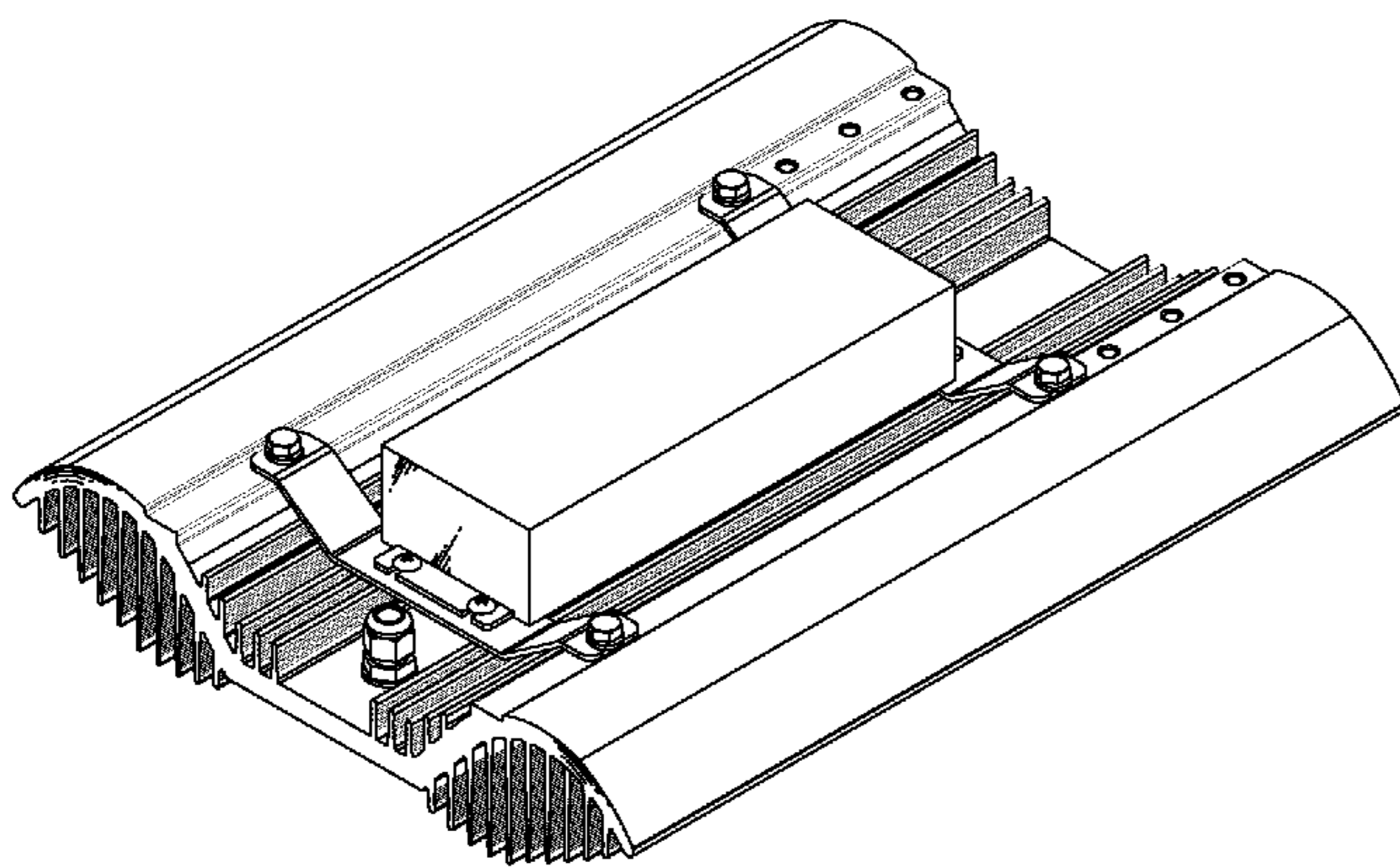
(57) **CLAIM**

The ornamental design for an outdoor lamp, as shown and described.

DESCRIPTION

FIG. 1 is a front right perspective view of an outdoor lamp showing my new design;
FIG. 2 is a front elevation view thereof;
FIG. 3 is a rear elevation view thereof;
FIG. 4 is a left side elevation view thereof;
FIG. 5 is a right side elevation view thereof;
FIG. 6 is a top plan view thereof; and,
FIG. 7 is a bottom plan view thereof.
The broken lines represent the portions of the design that form no part of the claim.

1 Claim, 7 Drawing Sheets



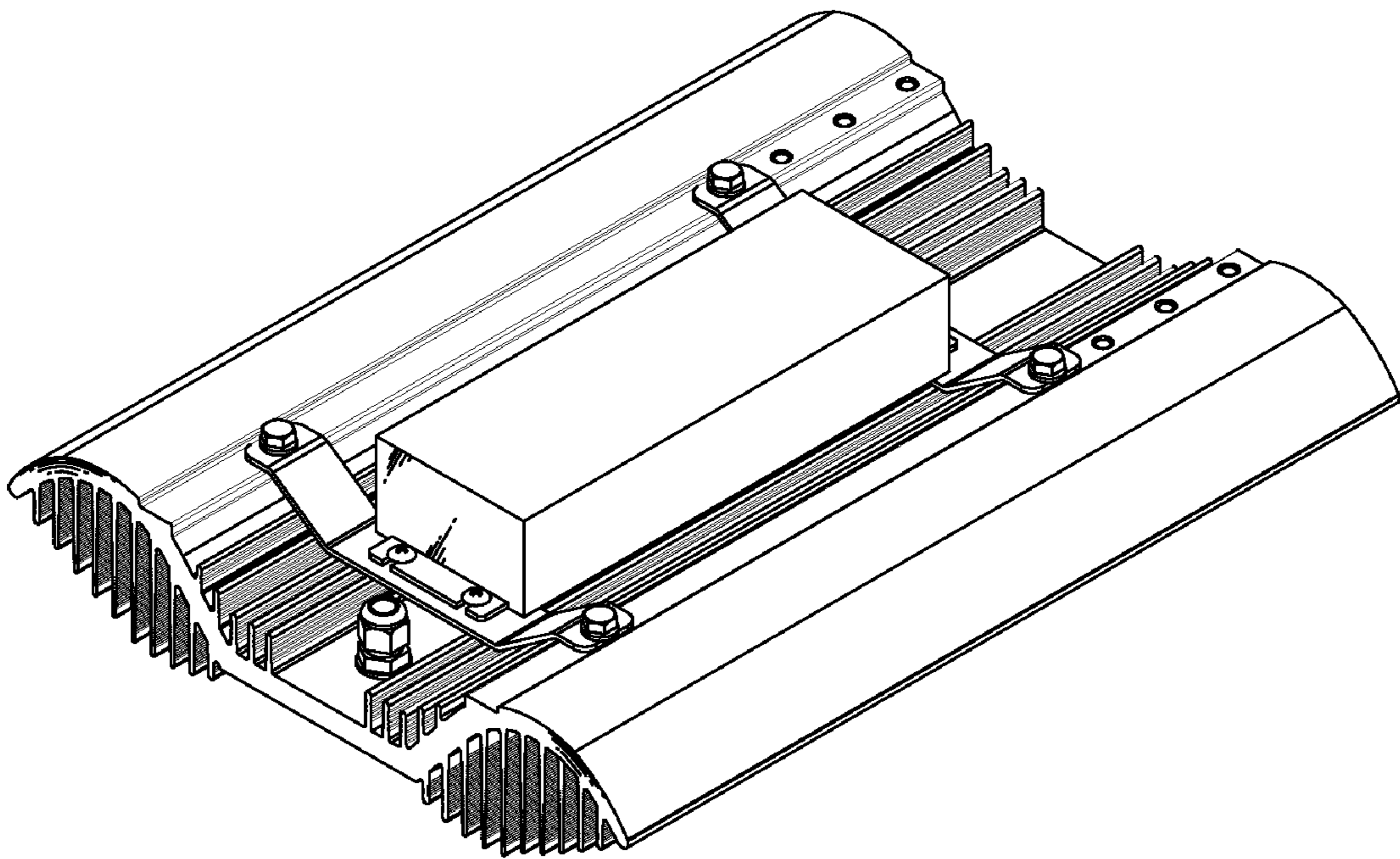


FIG. 1

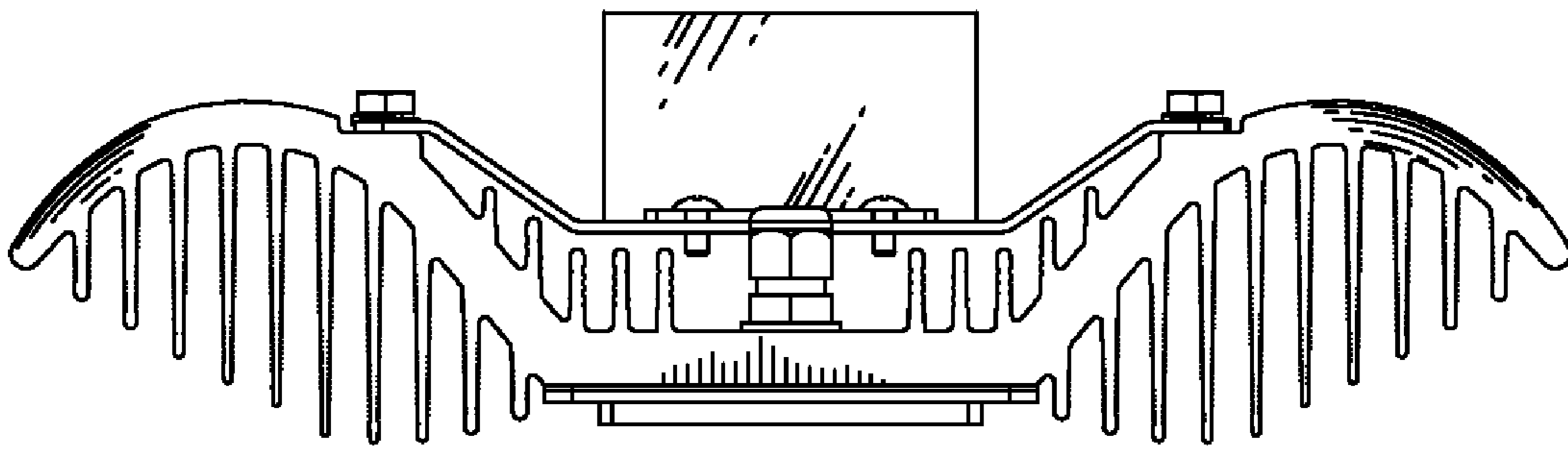


FIG. 2

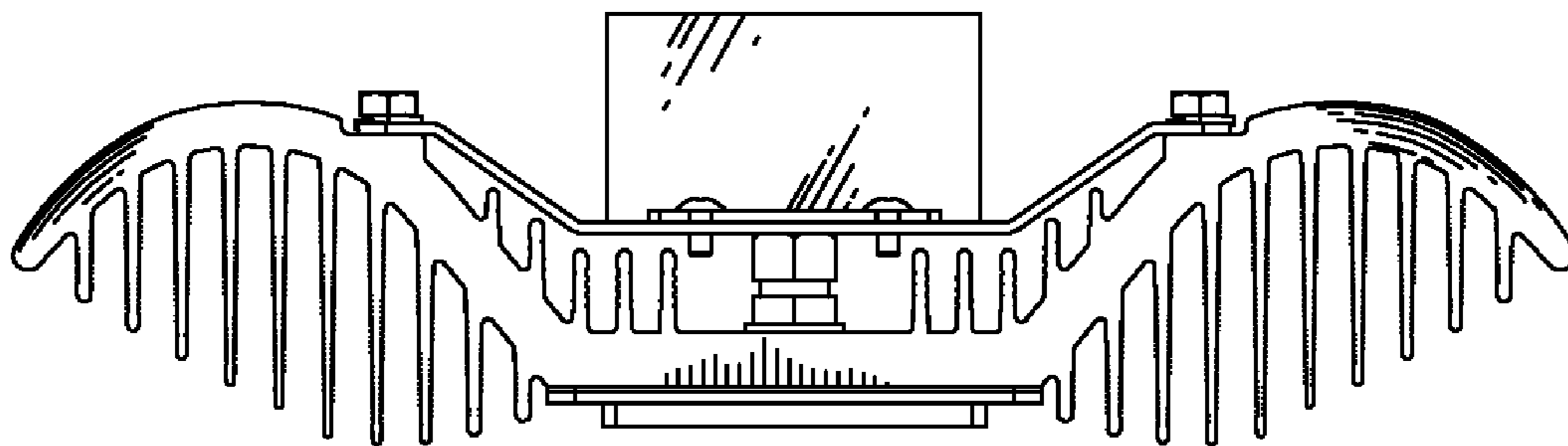


FIG. 3

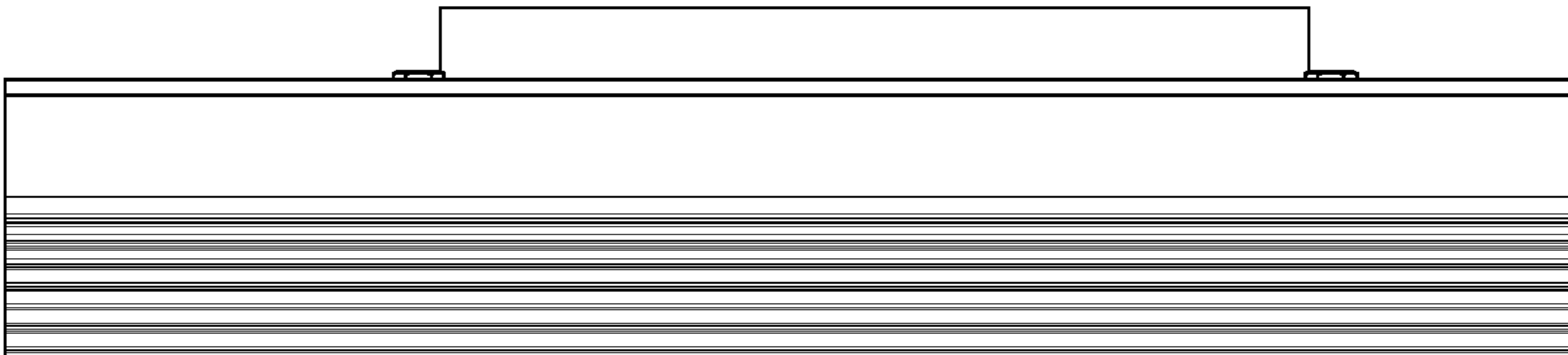


FIG. 4

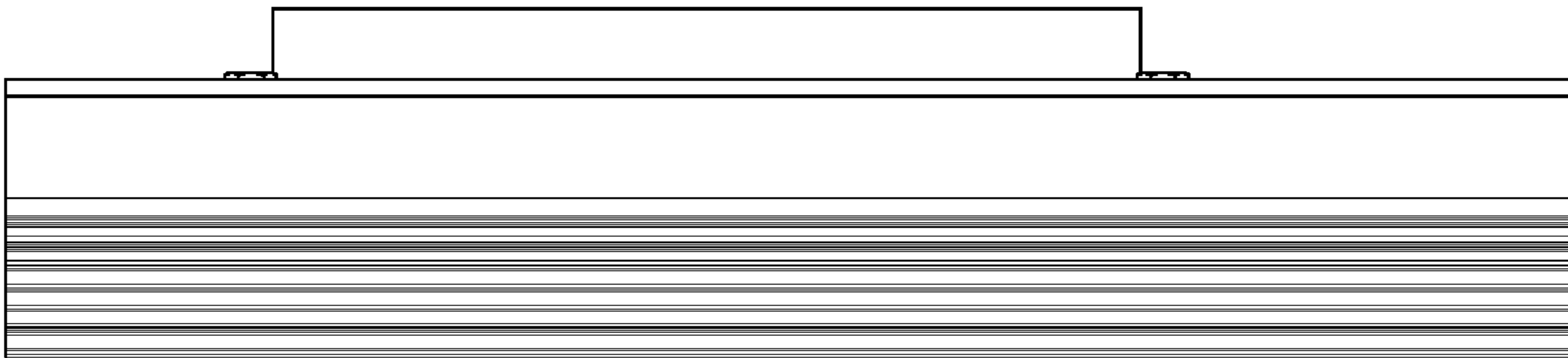


FIG. 5

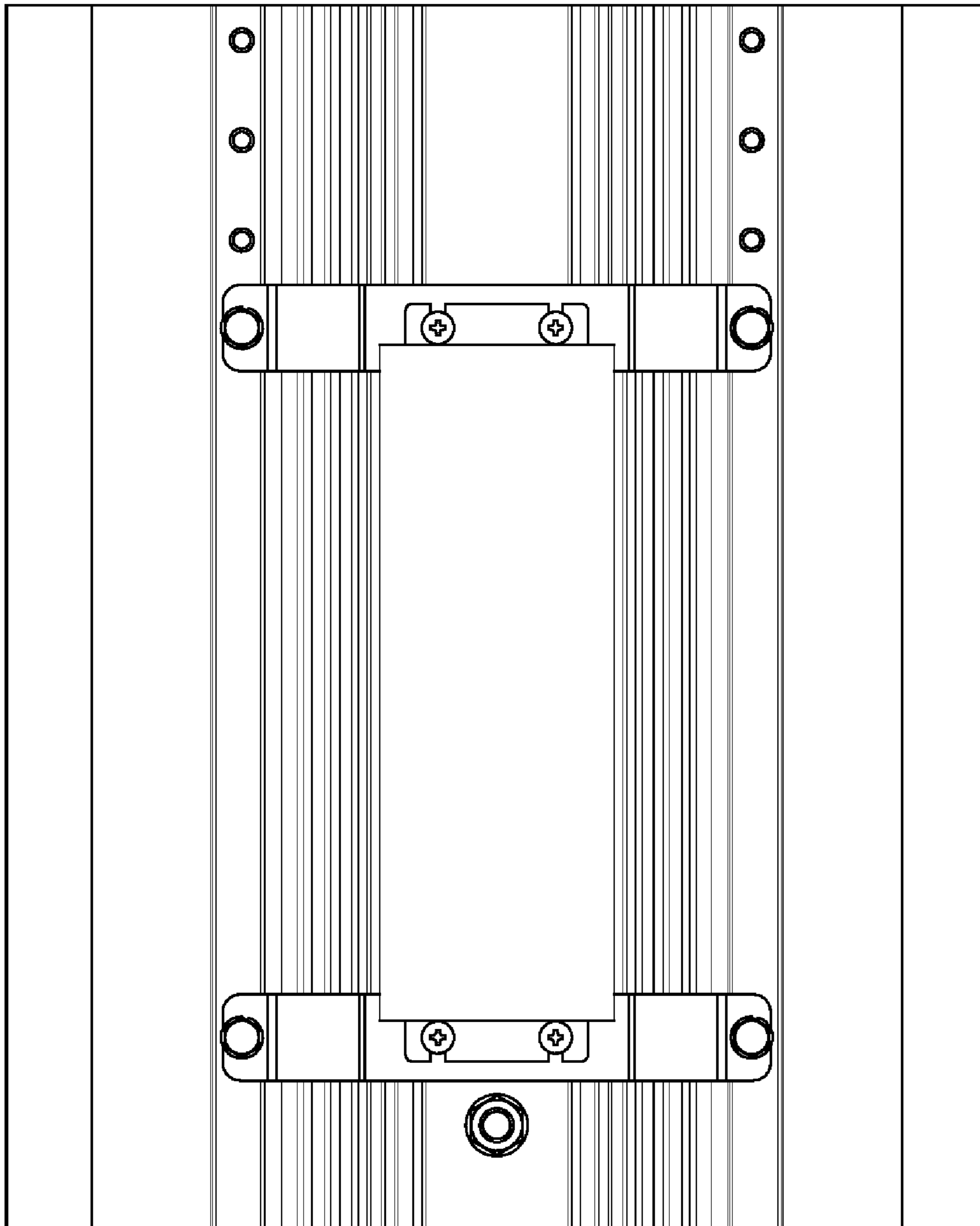


FIG. 6

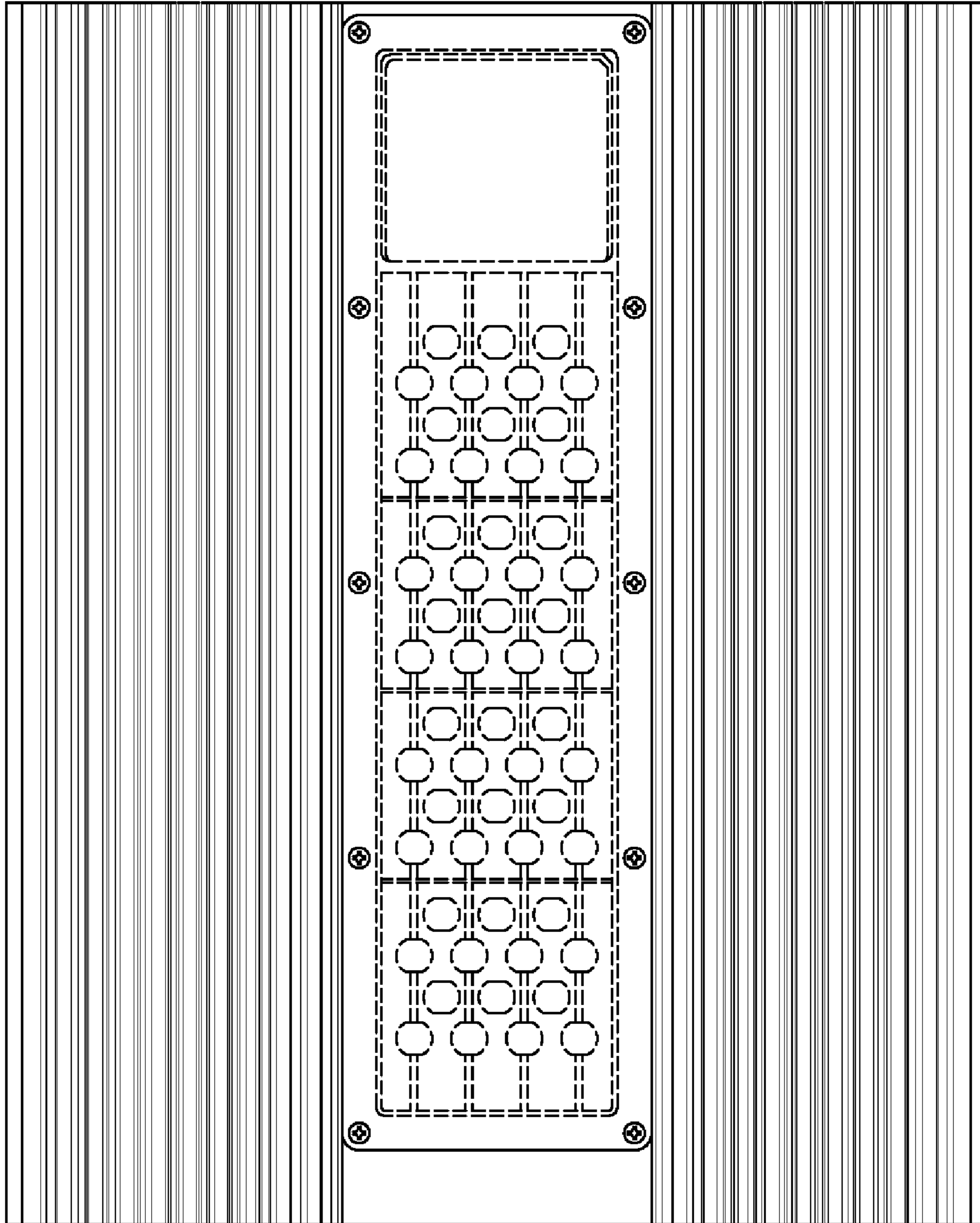


FIG. 7