



US00D654202S

(12) **United States Design Patent**  
**Chen**

(10) **Patent No.:** **US D654,202 S**

(45) **Date of Patent:** **\*\* Feb. 14, 2012**

(54) **MOSAIC LAMP**

(75) **Inventor:** **Chi Gon Chen**, Guang Zhou (CN)

(73) **Assignee:** **International Development LLC**,  
Roanoke, TX (US)

(\*\*) **Term:** **14 Years**

(21) **Appl. No.:** **29/394,452**

(22) **Filed:** **Jun. 16, 2011**

(51) **LOC (9) Cl.** ..... **26-05**

(52) **U.S. Cl.** ..... **D26/68; D26/107**

(58) **Field of Classification Search** ..... D26/67-72,  
D26/85, 107, 128, 130; 362/183, 427, 431,  
362/311.13, 322, 324, 277, 348  
See application file for complete search history.

(56) **References Cited**

**U.S. PATENT DOCUMENTS**

D58,114 S *	6/1921	Snow	.....	D26/107
D73,631 S *	10/1927	Wolter	.....	D26/24
D75,676 S *	7/1928	Camyre	.....	D26/53
D82,776 S *	12/1930	Anderson	.....	D26/62
D95,667 S *	5/1935	Dickerson	.....	D26/107
D207,272 S *	3/1967	Seals, Jr.	.....	D26/68
D338,736 S *	8/1993	Compton et al.	.....	D26/74
D343,021 S *	1/1994	Compton et al.	.....	D26/74
D354,367 S *	1/1995	Harrington	.....	D26/68
D392,763 S *	3/1998	Denison et al.	.....	D26/68
D393,090 S *	3/1998	Giese et al.	.....	D26/68
D423,131 S *	4/2000	Giese et al.	.....	D26/68

D423,708 S *	4/2000	Giese et al.	.....	D26/68
D439,693 S *	3/2001	Milicia	.....	D26/68
D440,000 S *	4/2001	Milicia	.....	D26/68
D518,220 S *	3/2006	Sooferian	.....	D26/67
D601,746 S *	10/2009	Sabernig	.....	D26/120
D616,136 S *	5/2010	Lavallee	.....	D26/71
D639,989 S *	6/2011	Chen	.....	D26/67

\* cited by examiner

*Primary Examiner* — Clare E Heflin

(74) *Attorney, Agent, or Firm* — Brian Harris

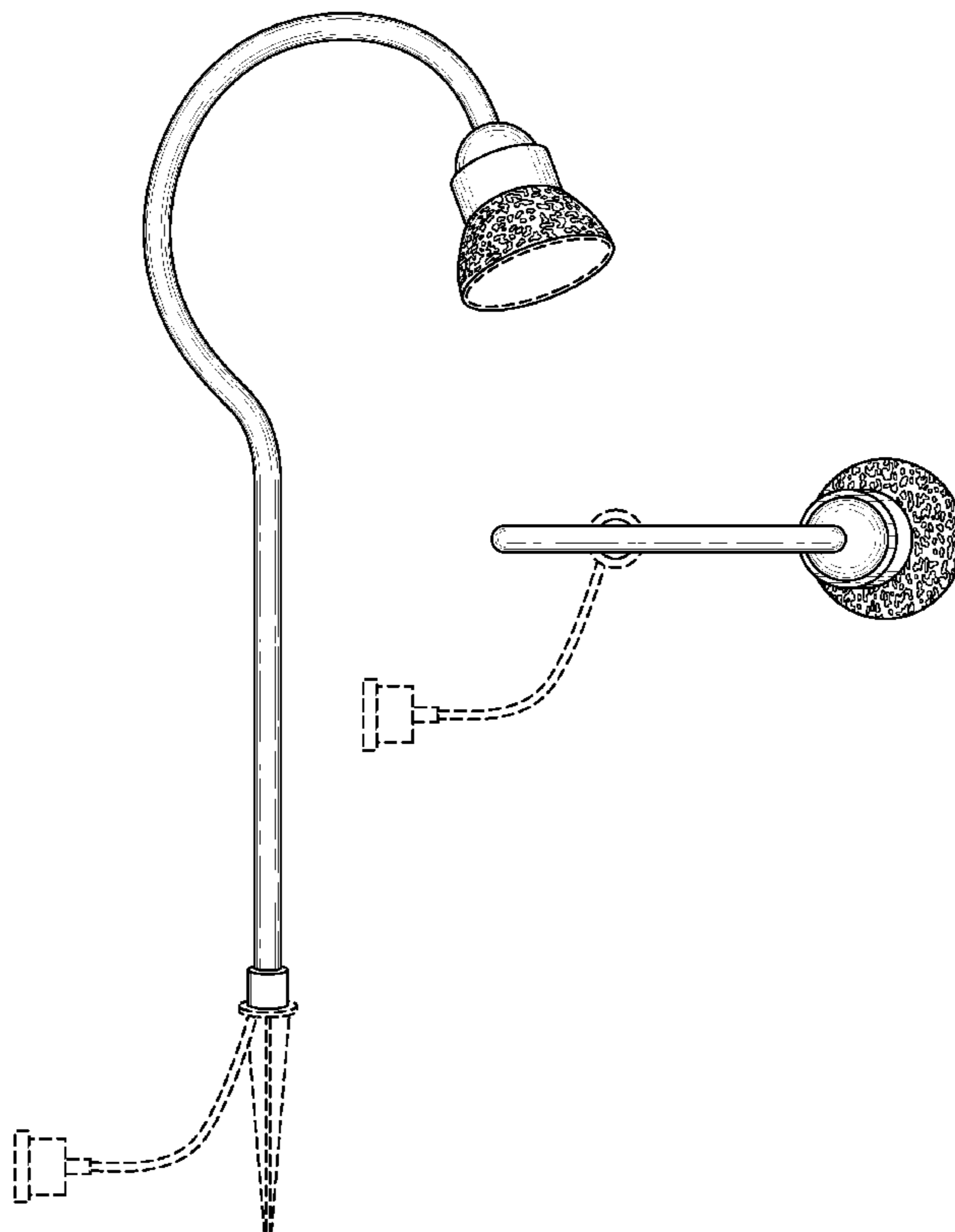
(57) **CLAIM**

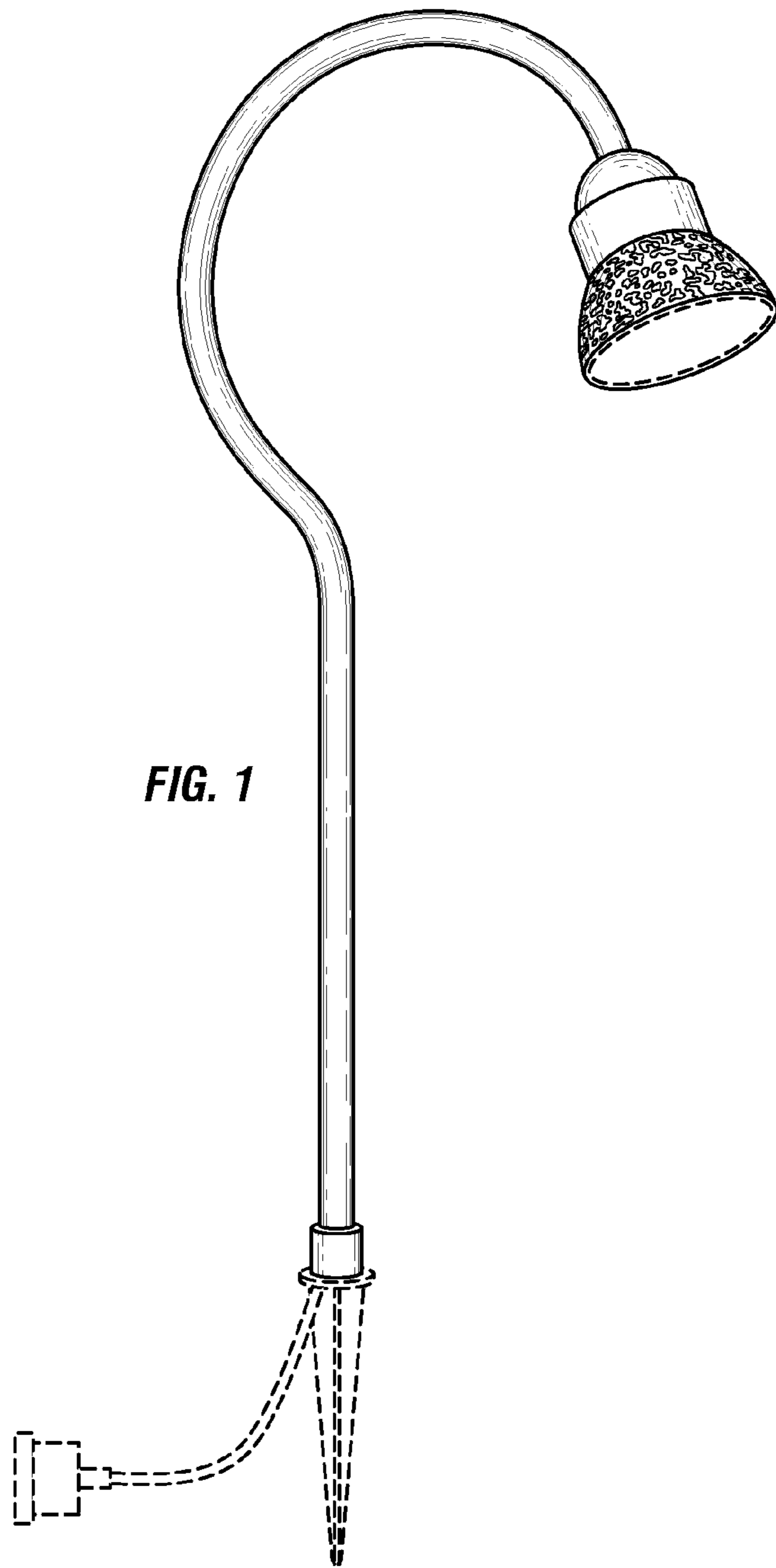
The ornamental design for a mosaic lamp, as shown and described.

**DESCRIPTION**

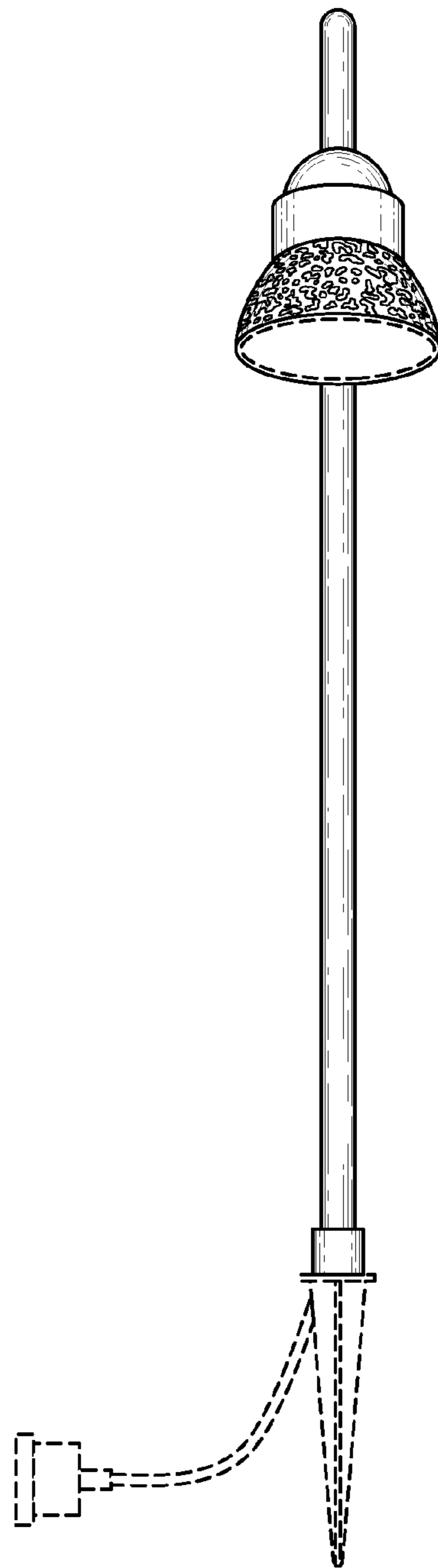
FIG. 1 is a perspective view of the mosaic lamp of the present invention, with a stake and plug showing in phantom;  
 FIG. 2 is a front elevation view thereof, with a stake and plug showing in phantom;  
 FIG. 3 is a rear elevation view thereof, with a stake and plug showing in phantom;  
 FIG. 4 is a left side elevation view thereof, with a stake and plug showing in phantom, the right side elevation view being a mirror image thereof;  
 FIG. 5 is a top plan view thereof, with a stake and plug showing in phantom; and,  
 FIG. 6 is a bottom plan view thereof, with a stake and plug showing in phantom.  
 The broken lines are shown in the views for illustrative purposes only and form no part of the claimed design.

**1 Claim, 3 Drawing Sheets**



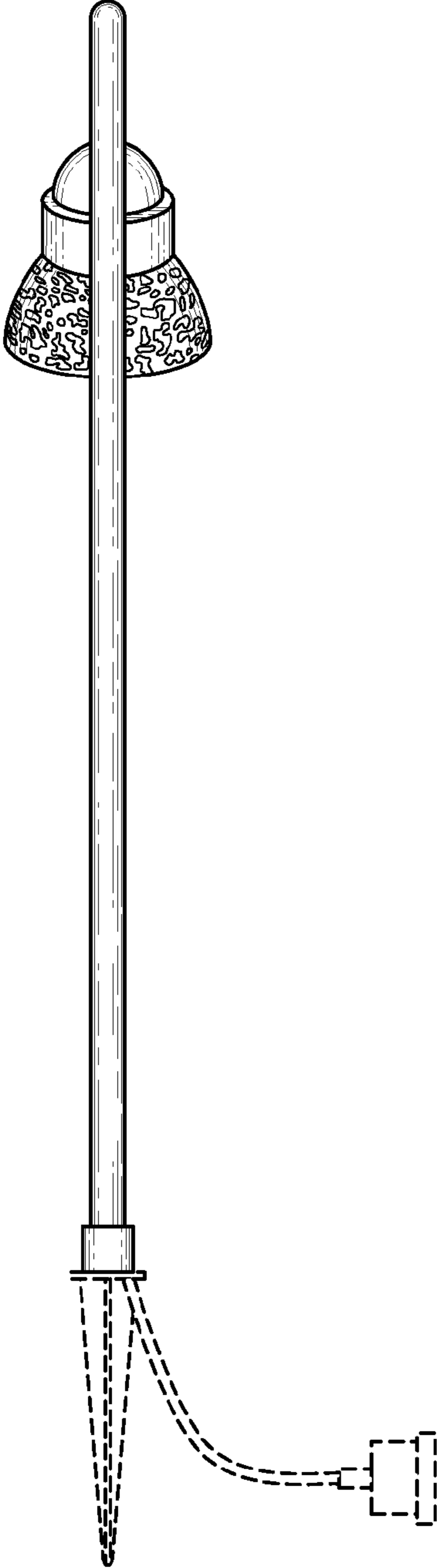


**FIG. 1**



**FIG. 2**

*FIG. 3*



*FIG. 4*

