



US00D654201S

(12) **United States Design Patent**
Chen

(10) **Patent No.:** **US D654,201 S**

(45) **Date of Patent:** **** Feb. 14, 2012**

(54) **MOSAIC LAMP**

(75) Inventor: **Chi Gon Chen**, Guang Zhou (CN)

(73) Assignee: **International Development LLC**,
Roanoke, TX (US)

(**) Term: **14 Years**

(21) Appl. No.: **29/394,451**

(22) Filed: **Jun. 16, 2011**

(51) **LOC (9) Cl.** **26-05**

(52) **U.S. Cl.** **D26/68**

(58) **Field of Classification Search** D26/67-72,
D26/85, 128, 130; 362/183, 427, 431, 311.13,
362/322, 324, 277, 348

See application file for complete search history.

(56) **References Cited**

U.S. PATENT DOCUMENTS

| | | | | |
|--------------|---------|----------------|-------|---------|
| D73,631 S * | 10/1927 | Wolter | | D26/24 |
| D207,272 S * | 3/1967 | Seals, Jr. | | D26/68 |
| D284,311 S * | 6/1986 | Patel | | D26/67 |
| D338,736 S * | 8/1993 | Compton et al. | | D26/74 |
| D343,021 S * | 1/1994 | Compton et al. | | D26/74 |
| D439,693 S * | 3/2001 | Milicia | | D26/68 |
| D464,163 S * | 10/2002 | Orozco | | D26/87 |
| D500,570 S * | 1/2005 | Tsai | | D26/87 |
| D514,244 S * | 1/2006 | Curtin | | D26/85 |
| D534,298 S * | 12/2006 | Chen | | D26/87 |
| D557,851 S * | 12/2007 | Chen | | D26/67 |
| D601,746 S * | 10/2009 | Sabernig | | D26/120 |
| D605,801 S * | 12/2009 | Chen | | D26/67 |

| | | | | |
|--------------|---------|------|-------|--------|
| D605,807 S * | 12/2009 | Chen | | D26/67 |
| D606,695 S * | 12/2009 | Chen | | D26/67 |
| D616,135 S * | 5/2010 | Chen | | D26/68 |
| D638,970 S * | 5/2011 | Chen | | D26/67 |
| D639,989 S * | 6/2011 | Chen | | D26/67 |
| D639,992 S * | 6/2011 | Chen | | D26/68 |

* cited by examiner

Primary Examiner — Clare E Heflin

(74) *Attorney, Agent, or Firm* — Brian Harris

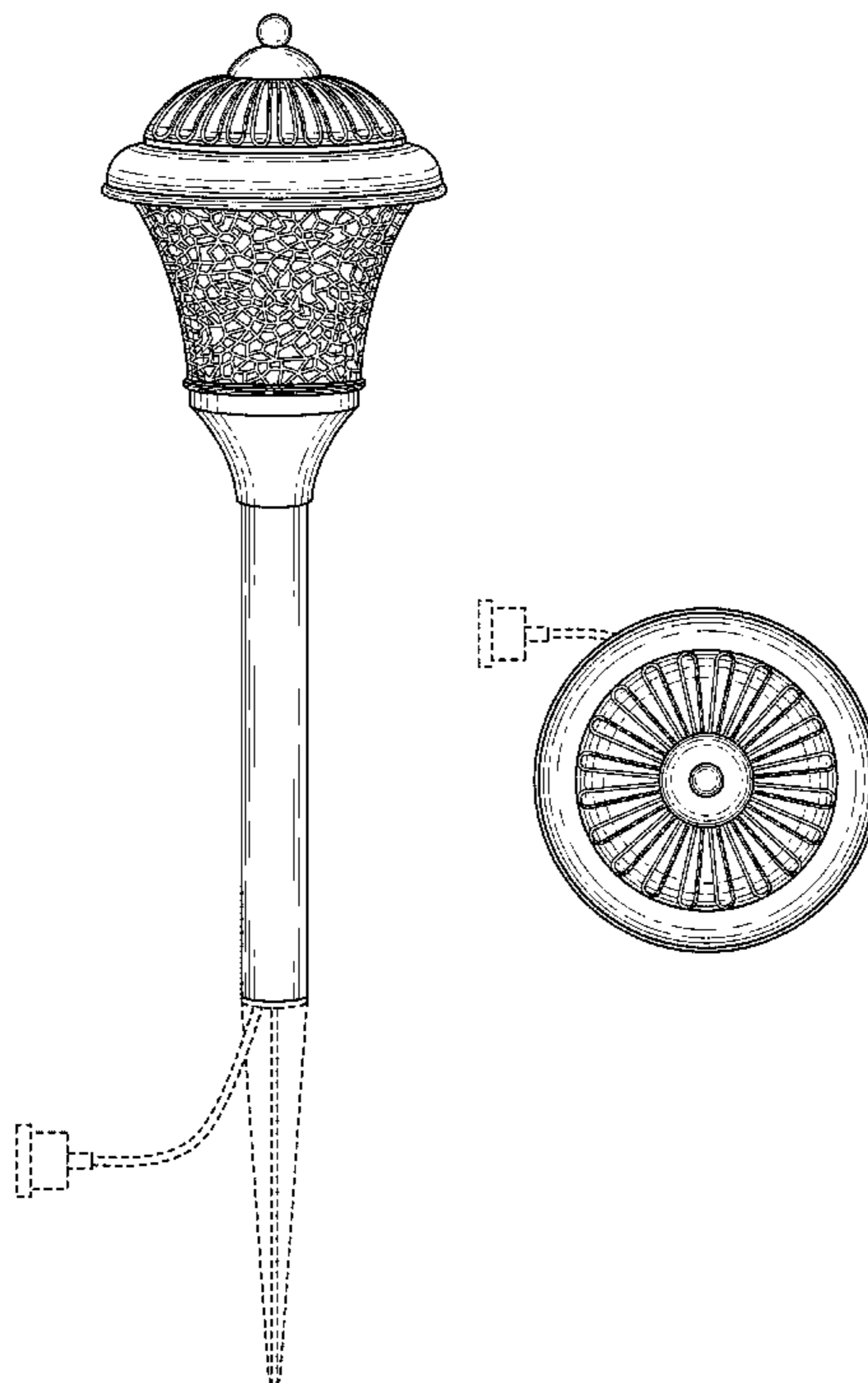
(57) **CLAIM**

The ornamental design for a mosaic lamp, as shown.

DESCRIPTION

FIG. 1 is a perspective view of the mosaic lamp of the present invention, with a stake and plug showing in phantom;
 FIG. 2 is a front elevation view thereof, with a stake and plug showing in phantom, the rear elevation view being a mirror image thereof;
 FIG. 3 is a left side elevation view thereof, with a stake and plug showing in phantom, the right side elevation view being a mirror image thereof;
 FIG. 4 is a bottom plan view thereof, with a stake and plug showing in phantom; and,
 FIG. 5 is a top plan view thereof, with a plug showing in phantom.
 The broken lines are shown in the views for illustrative purposes only and form no part of the claimed design.

1 Claim, 2 Drawing Sheets



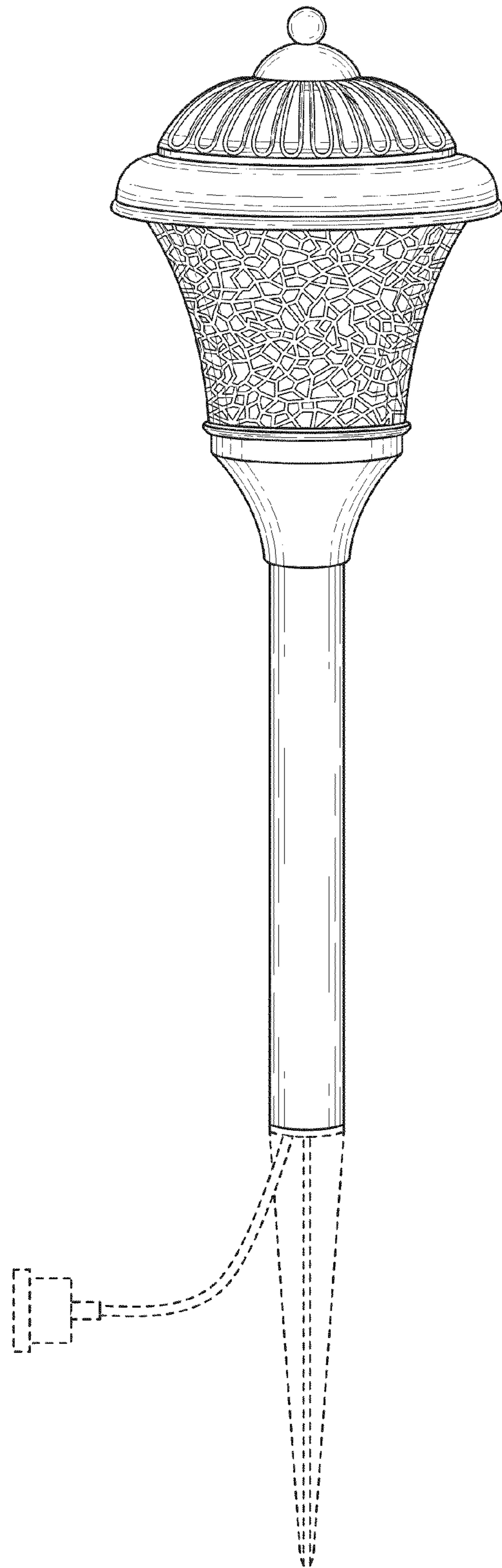


FIG. 1

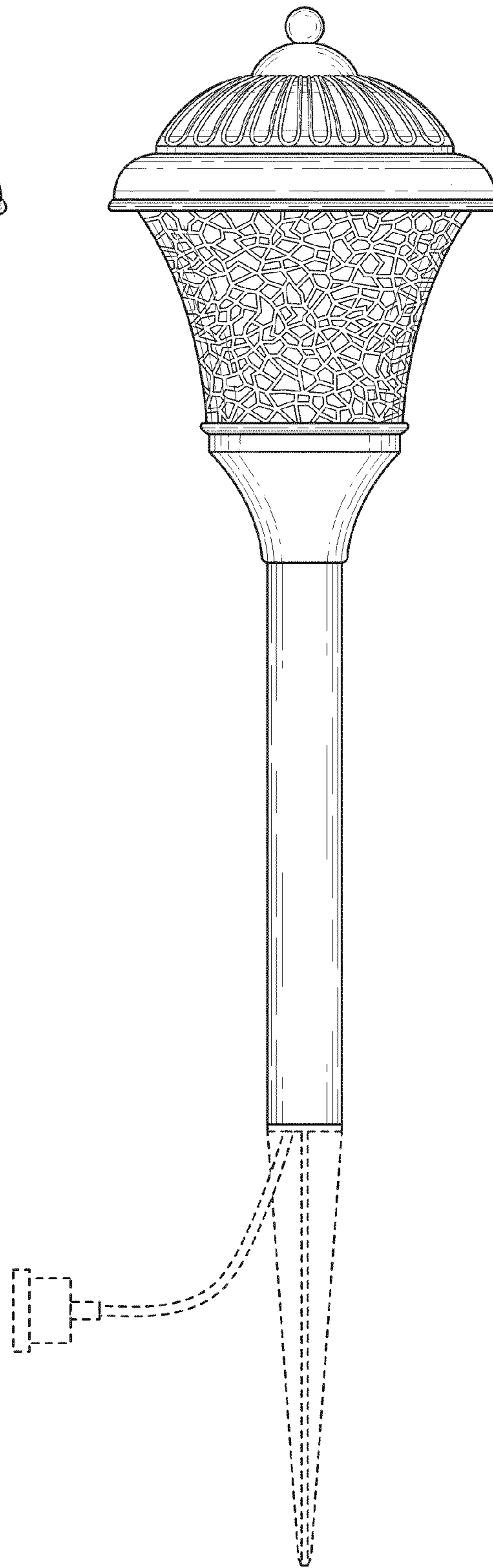


FIG. 2

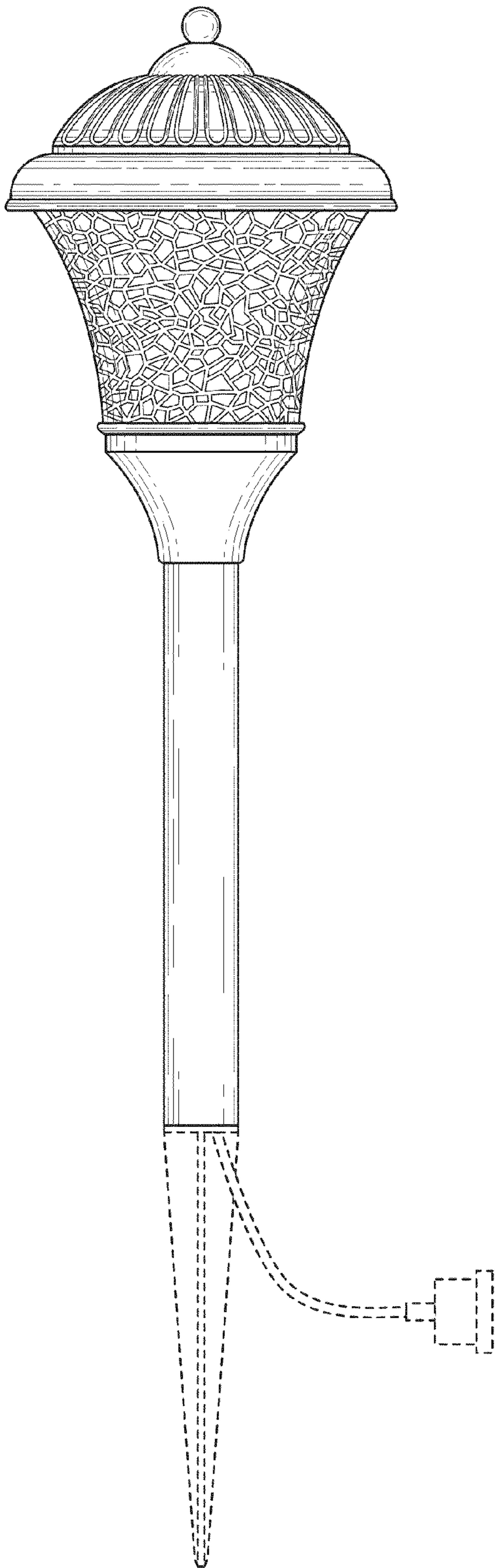


FIG. 3

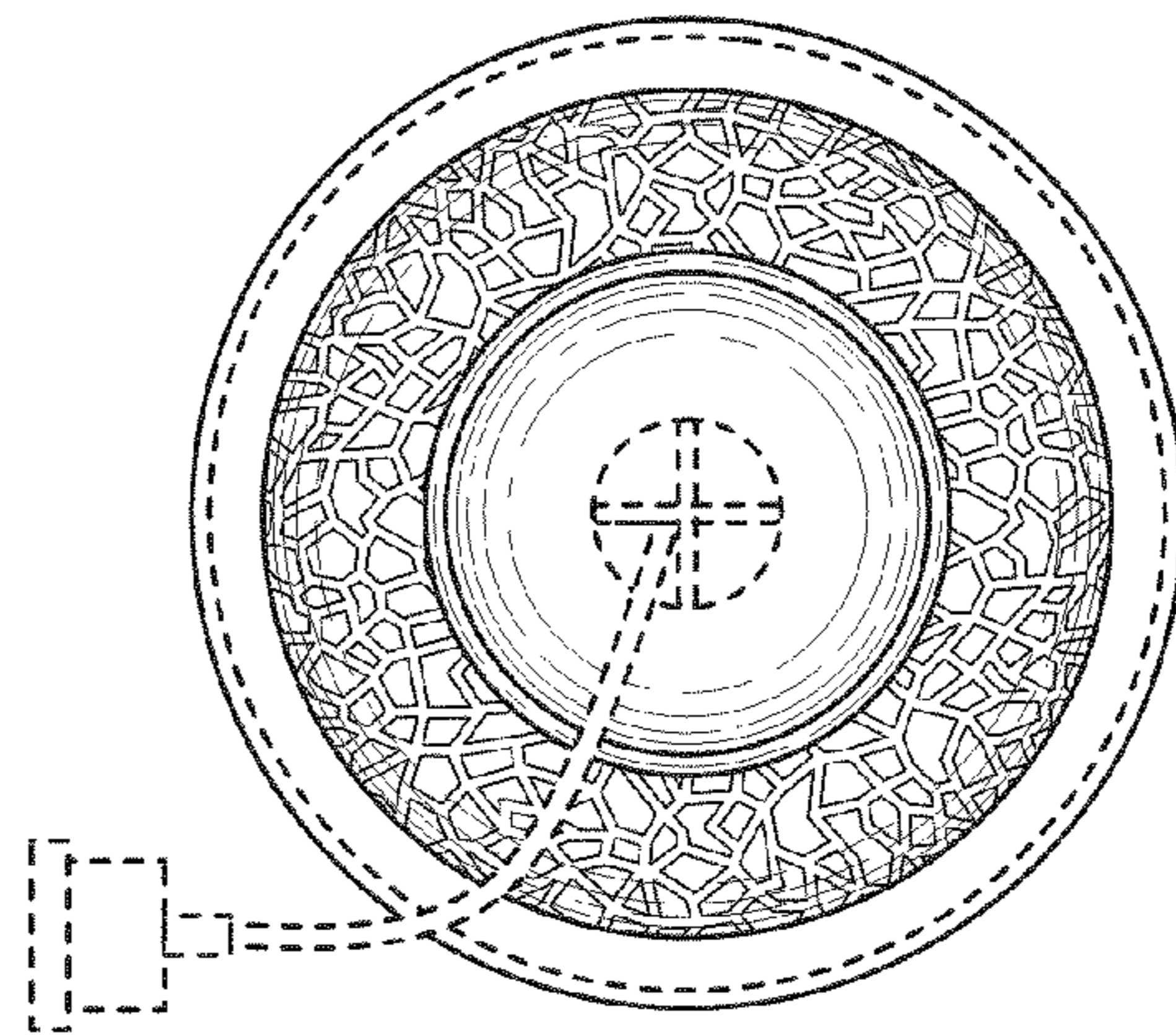


FIG. 4

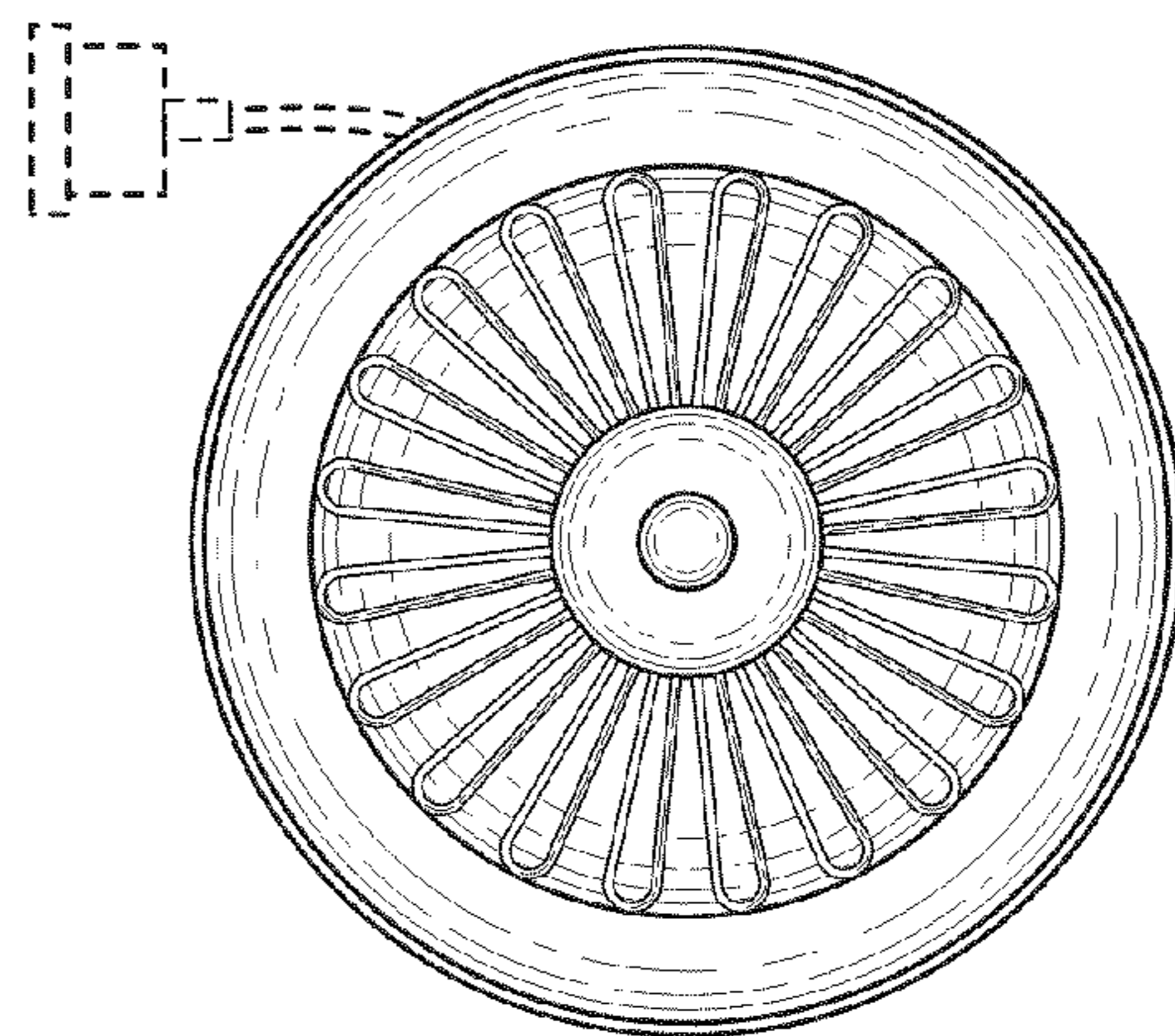


FIG. 5