



US00D654200S

(12) **United States Design Patent**
Chen

(10) **Patent No.:** **US D654,200 S**

(45) **Date of Patent:** **** Feb. 14, 2012**

(54) **MOSAIC SPOT LAMP**

(75) Inventor: **Chi Gon Chen**, Guang Zhou (CN)

(73) Assignee: **International Development LLC**,
Roanoke, TX (US)

(**) Term: **14 Years**

(21) Appl. No.: **29/391,020**

(22) Filed: **May 2, 2011**

(51) **LOC (9) Cl.** **26-05**

(52) **U.S. Cl.** **D26/63; D26/68**

(58) **Field of Classification Search** D26/67-72,
D26/63-65, 85, 128, 130; 362/183, 427,
362/431, 311.13, 322, 324, 277, 348
See application file for complete search history.

(56) **References Cited**

U.S. PATENT DOCUMENTS

D73,631	S	*	10/1927	Wolter	D26/24
D83,238	S	*	2/1931	McFadden	D26/87
D92,538	S	*	6/1934	Johnson et al.	D26/135
D338,736	S	*	8/1993	Compton et al.	D26/74
D343,021	S	*	1/1994	Compton et al.	D26/74
D413,996	S	*	9/1999	Andrus et al.	D26/68
5,988,833	A	*	11/1999	Giese et al.	362/287
D417,519	S	*	12/1999	Cutler	D26/63
D424,731	S	*	5/2000	Landefeld	D26/68

D431,669	S	*	10/2000	Milicia	D26/128
D550,877	S	*	9/2007	Mullen	D26/63
D551,789	S	*	9/2007	Mullen	D26/63
D574,532	S	*	8/2008	Lee et al.	D26/63
D601,746	S	*	10/2009	Sabernig	D26/120
D615,688	S	*	5/2010	Chen	D26/68
D638,159	S	*	5/2011	Yao	D26/63
D638,968	S	*	5/2011	Chen	D26/67
D639,989	S	*	6/2011	Chen	D26/67

* cited by examiner

Primary Examiner — Clare E Heflin

(74) *Attorney, Agent, or Firm* — Brian Harris

(57) **CLAIM**

The ornamental design for a mosaic spot lamp, as shown and described.

DESCRIPTION

FIG. 1 is a perspective view of the mosaic spot lamp of the present invention;

FIG. 2 is a front elevation view thereof;

FIG. 3 is a rear elevation view thereof;

FIG. 4 is a left side elevation view thereof;

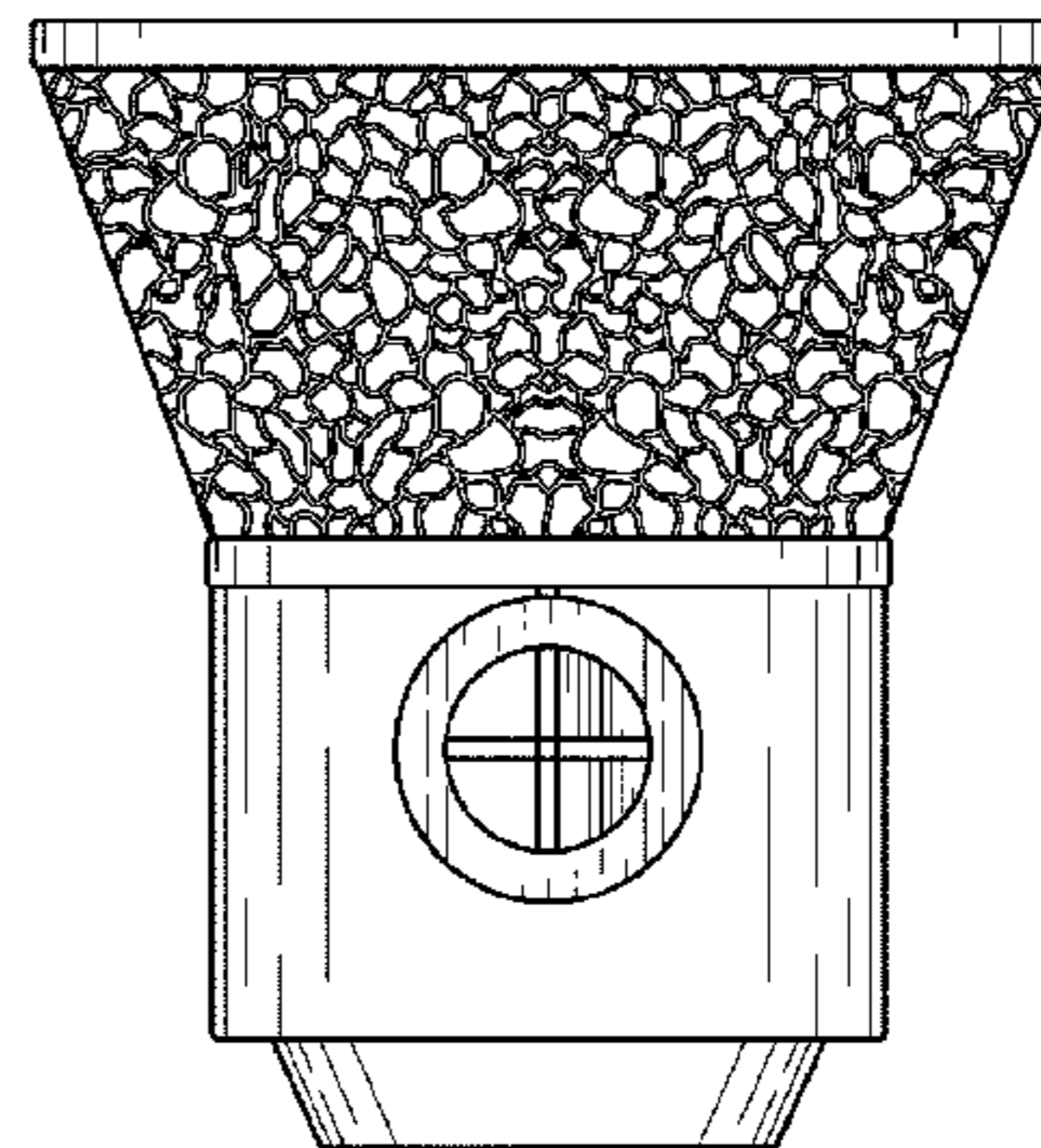
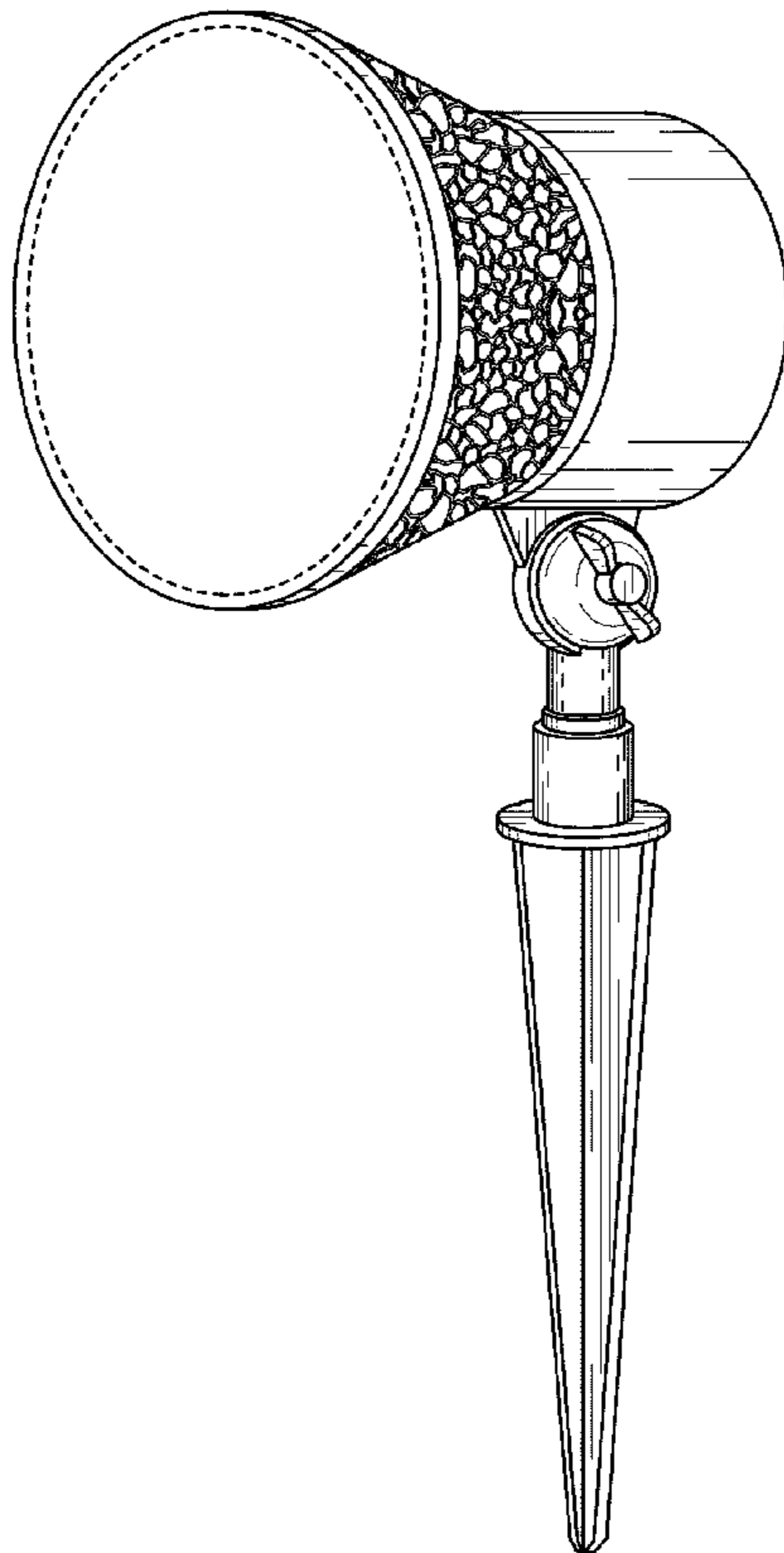
FIG. 5 is a right side elevation view thereof;

FIG. 6 is a bottom plan view thereof; and,

FIG. 7 is a top plan view thereof.

The broken lines shown on the drawings depict portions of the lamp that form no part of the claimed design.

1 Claim, 3 Drawing Sheets



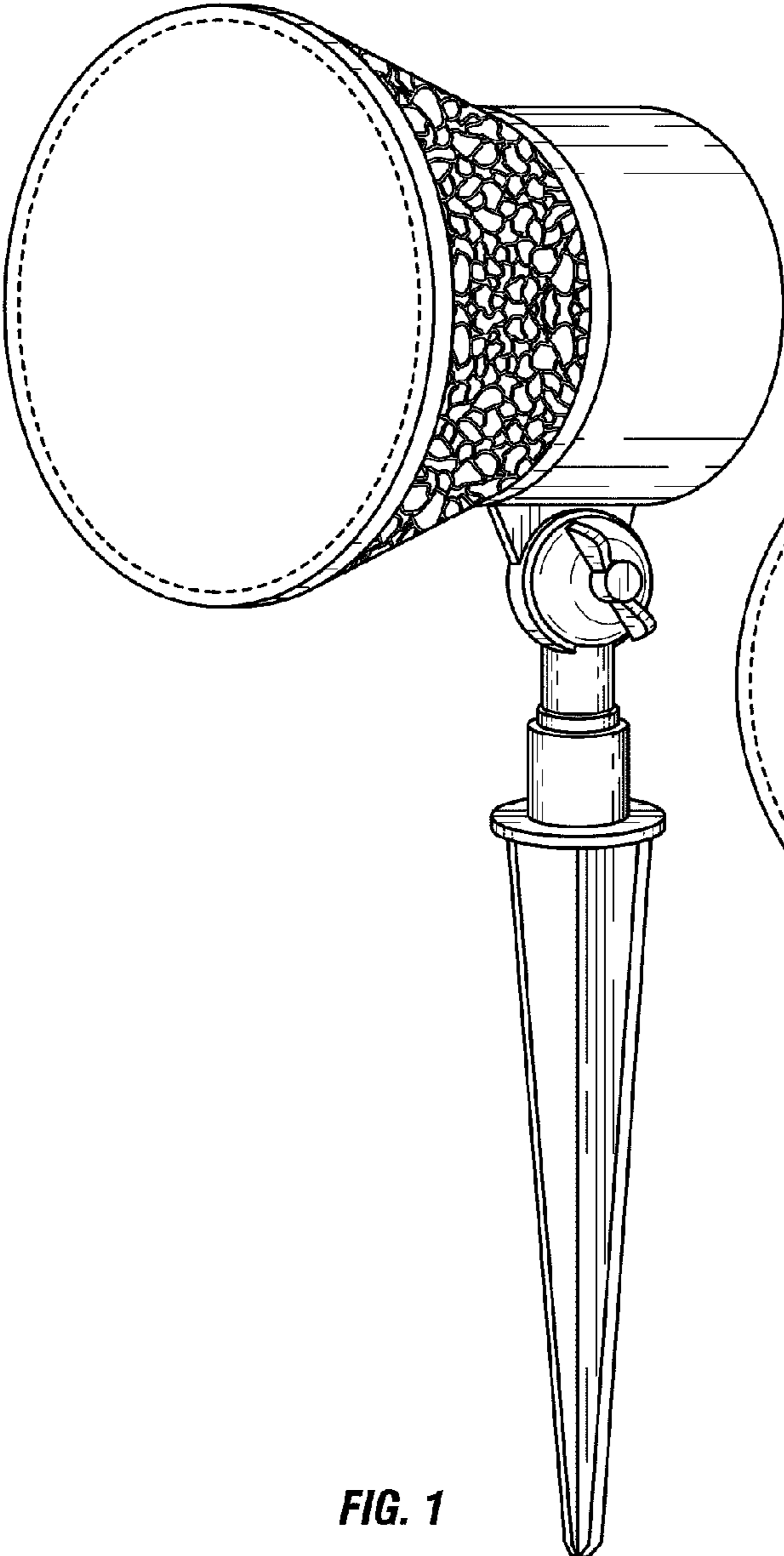


FIG. 1

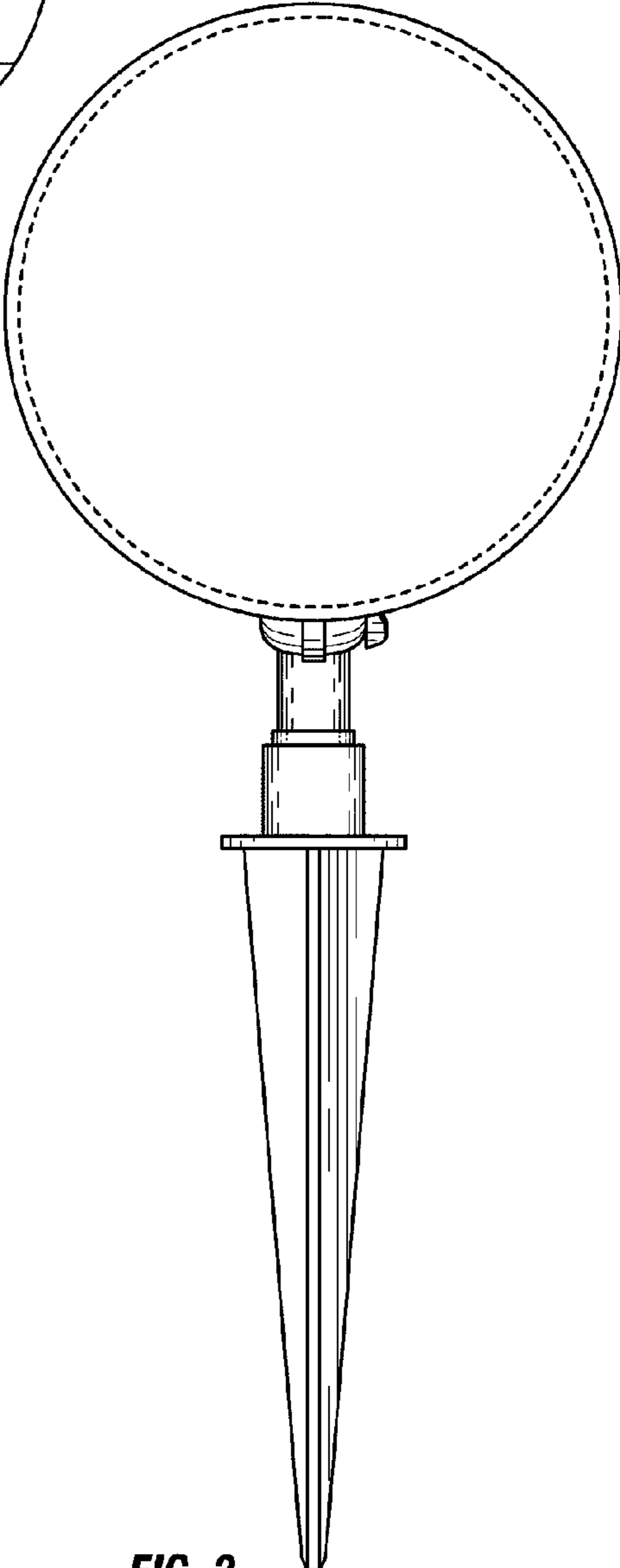


FIG. 2

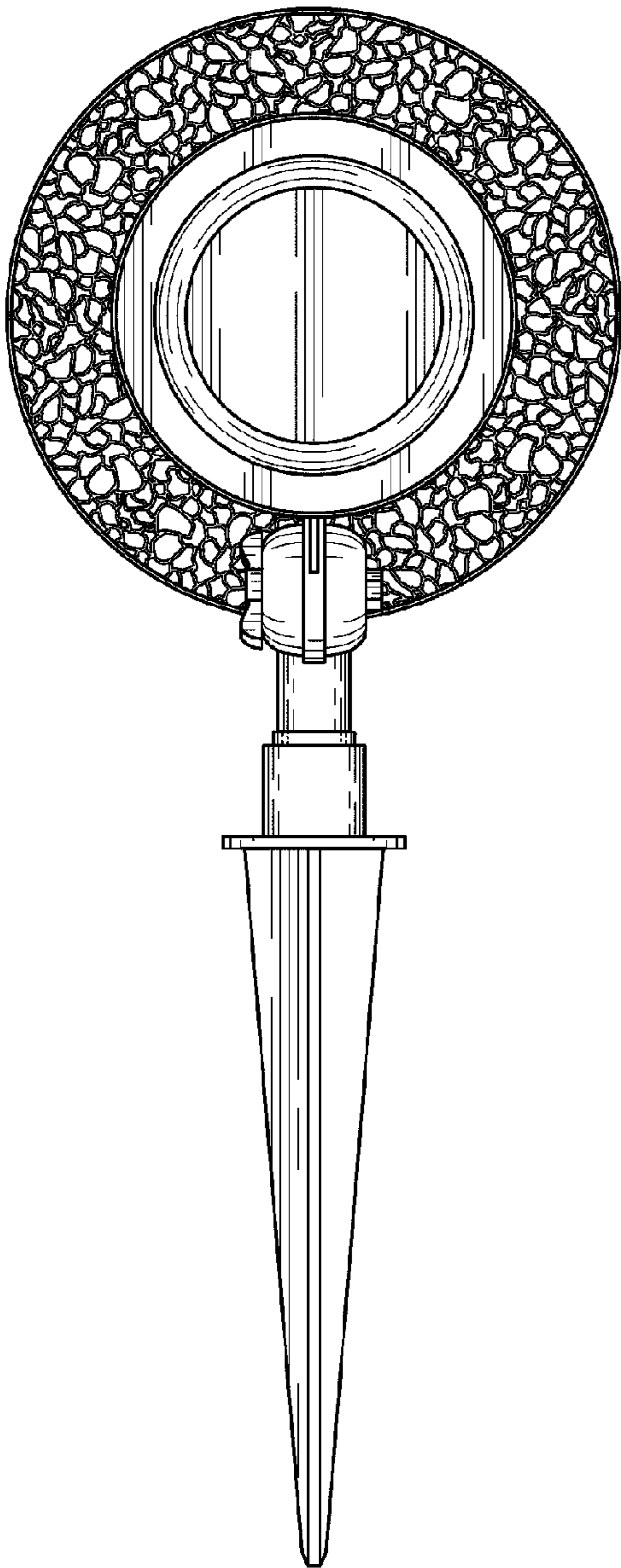


FIG. 3

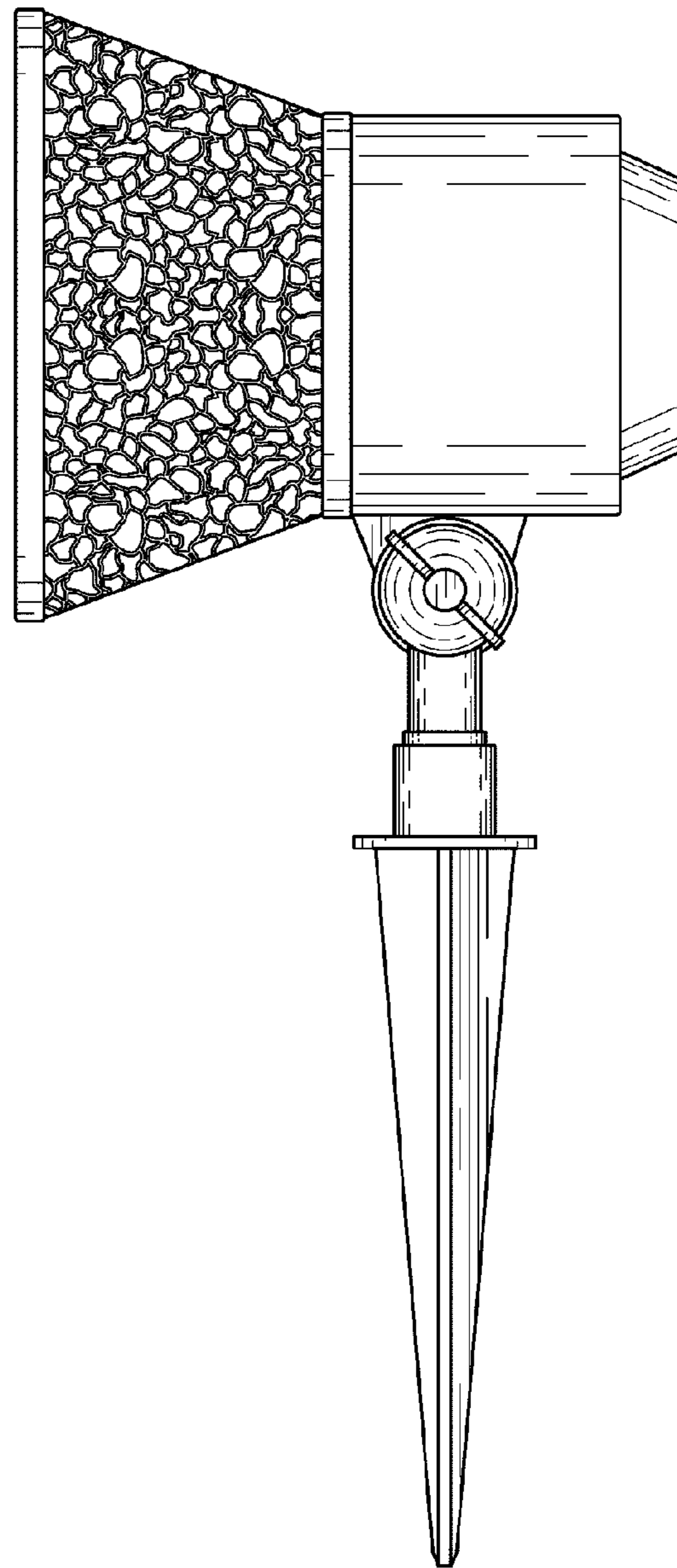


FIG. 4

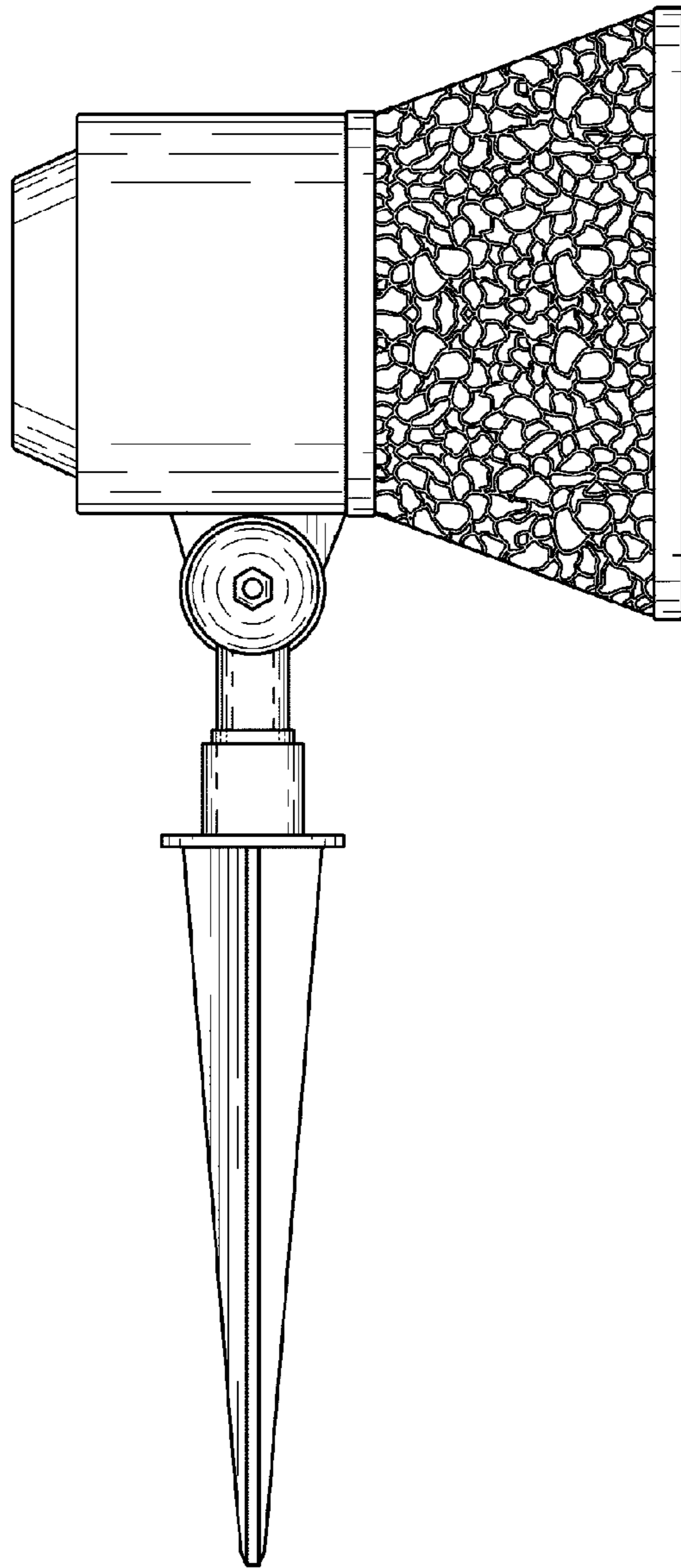


FIG. 5

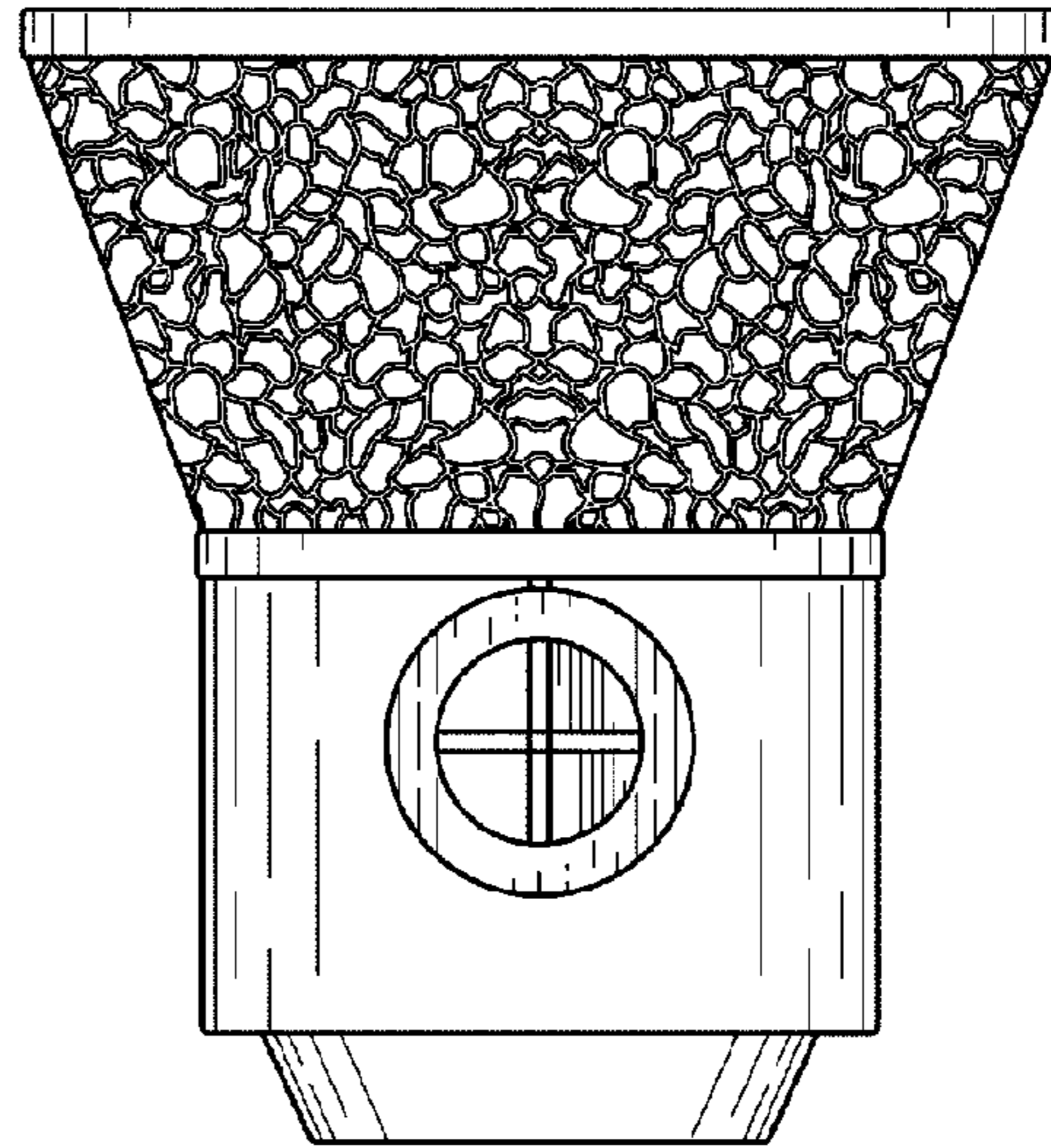


FIG. 6

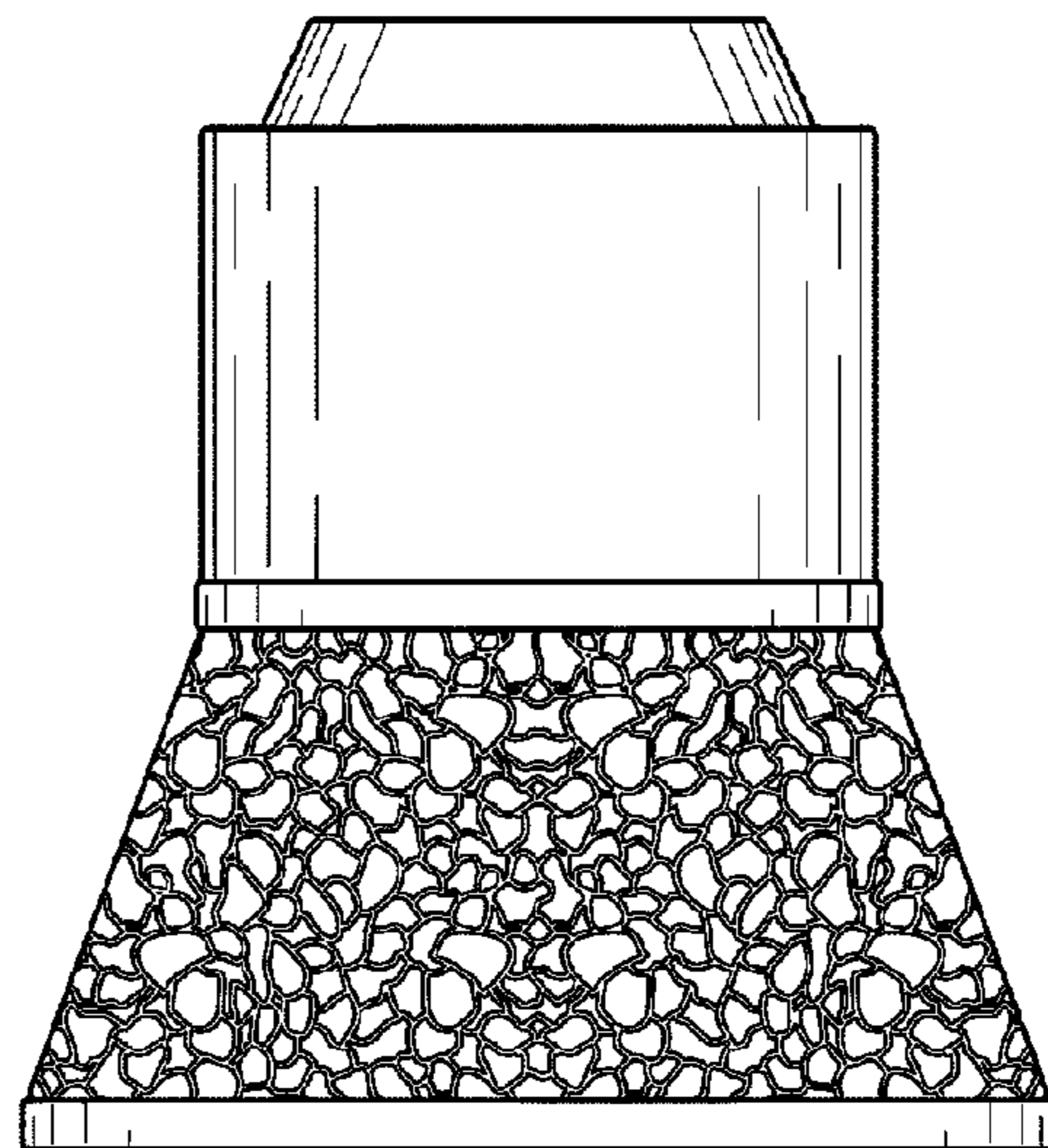


FIG. 7