



US00D654197S

(12) **United States Design Patent**
Szews et al.

(10) **Patent No.:** **US D654,197 S**

(45) **Date of Patent:** **** Feb. 14, 2012**

(54) **TAILLIGHT FOR A VEHICLE**

Primary Examiner — Marcus Jackson

(75) Inventors: **Krzysztof Szews**, Munich (DE);
Henning Holstein, Dietersburg (DE);
Marcus Syring, Munich (DE)

(74) *Attorney, Agent, or Firm* — Crowell & Moring LLP

(73) Assignee: **Bayerische Motoren Werke**
Aktiengesellschaft, Munich (DE)

(57) **CLAIM**

The ornamental design for a taillight for a vehicle, as shown and described.

(**) Term: **14 Years**

DESCRIPTION

(21) Appl. No.: **29/393,864**

This application contains subject matter related to the following co-pending U.S. design patent application:

(22) Filed: **Jun. 10, 2011**

Application Ser. No. 29/393,861, filed herewith and entitled "Vehicle, Toy, and/or Replicas Thereof".

(30) **Foreign Application Priority Data**

Dec. 13, 2010 (DE) 402010006699

(51) **LOC (9) Cl.** **26-06**

(52) **U.S. Cl.** **D26/28**

(58) **Field of Classification Search** D26/28-36;
362/459-468, 475-478, 485-487

See application file for complete search history.

FIG. 1 is a left, front perspective view of a first embodiment of a taillight for a vehicle according to our design;

FIG. 2 is a left, side perspective view thereof;

FIG. 3 is a front view thereof;

FIG. 4 is a left side view thereof;

FIG. 5 is a top view thereof; and

FIG. 6 is a bottom view thereof.

FIG. 7 is a right, front perspective view of a second embodiment of the taillight for a vehicle according to our design, with the taillight for a vehicle for the opposite side of the vehicle being depicted in the first embodiment;

FIG. 8 is a right, side perspective view thereof;

FIG. 9 is a front view thereof;

FIG. 10 is a right side view thereof;

FIG. 11 is a top view thereof; and,

FIG. 12 is a bottom view thereof.

The broken lines are for illustrative purposes only and form no part of the claimed design.

(56) **References Cited**

U.S. PATENT DOCUMENTS

D550,383 S * 9/2007 Asai D26/28

D556,349 S * 11/2007 Golden et al. D26/28

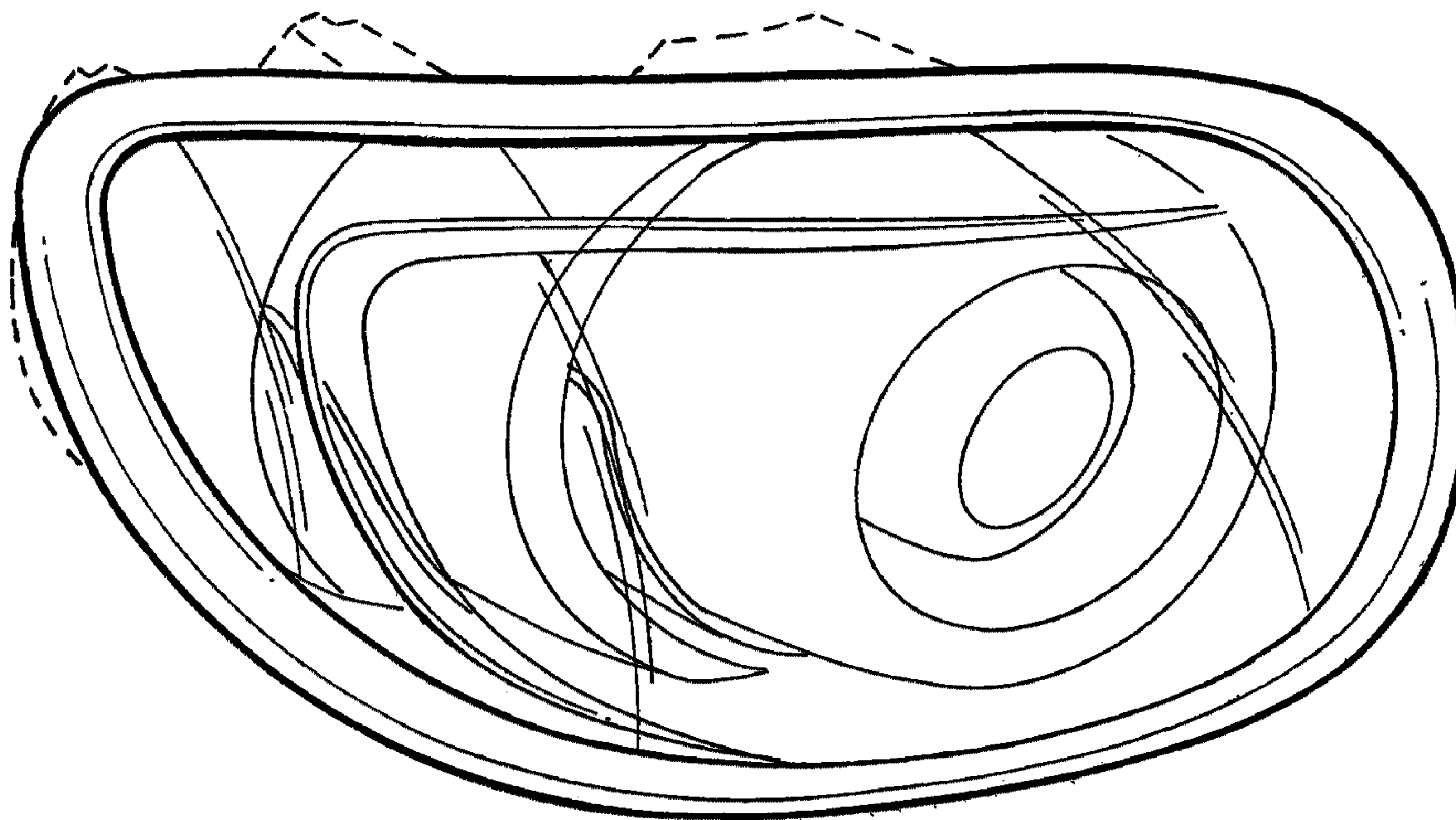
D560,291 S * 1/2008 Koyama D26/28

D561,358 S * 2/2008 Tachibana D26/28

D635,694 S * 4/2011 Yang et al. D26/28

* cited by examiner

1 Claim, 6 Drawing Sheets



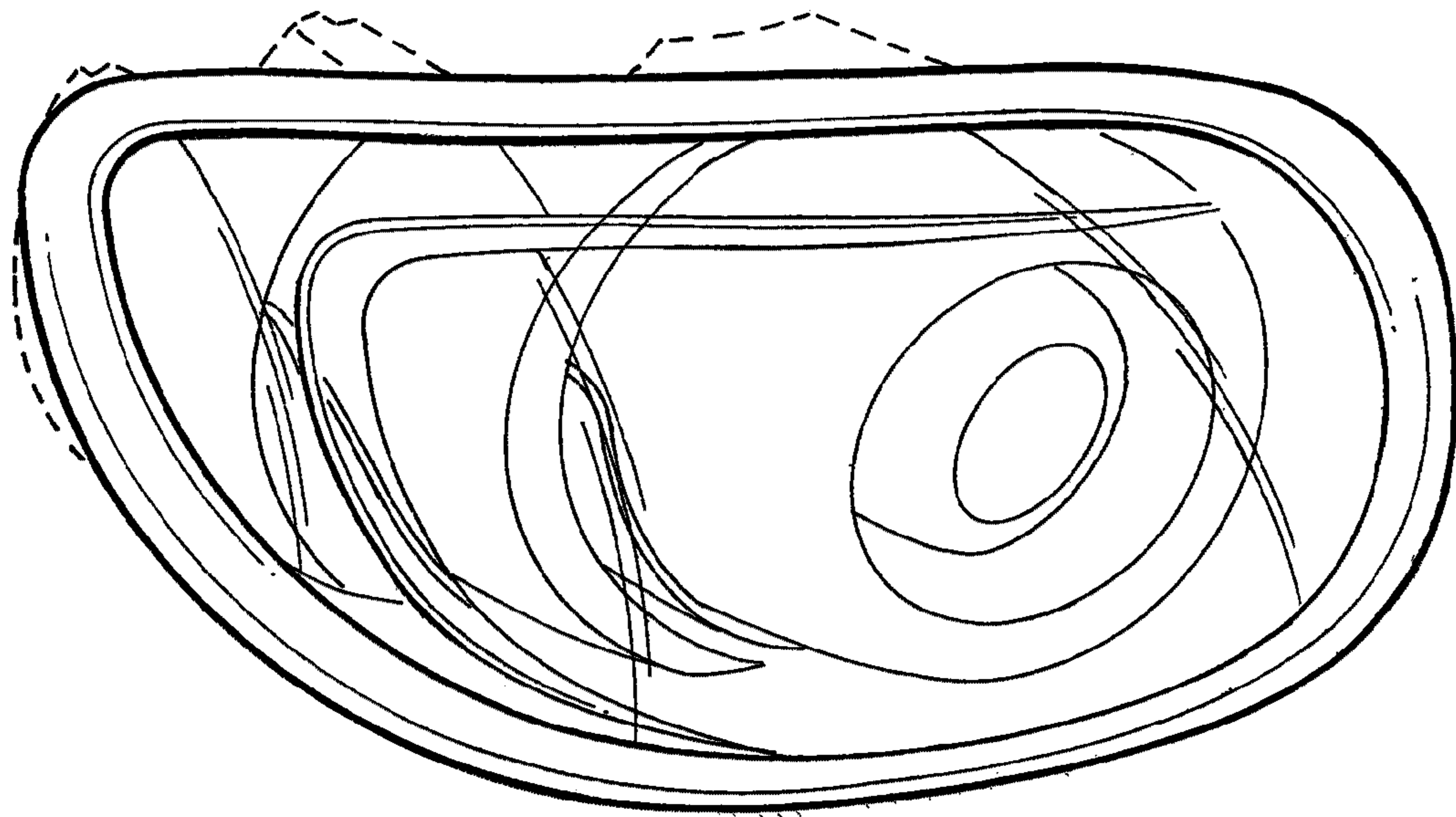


FIG. 1

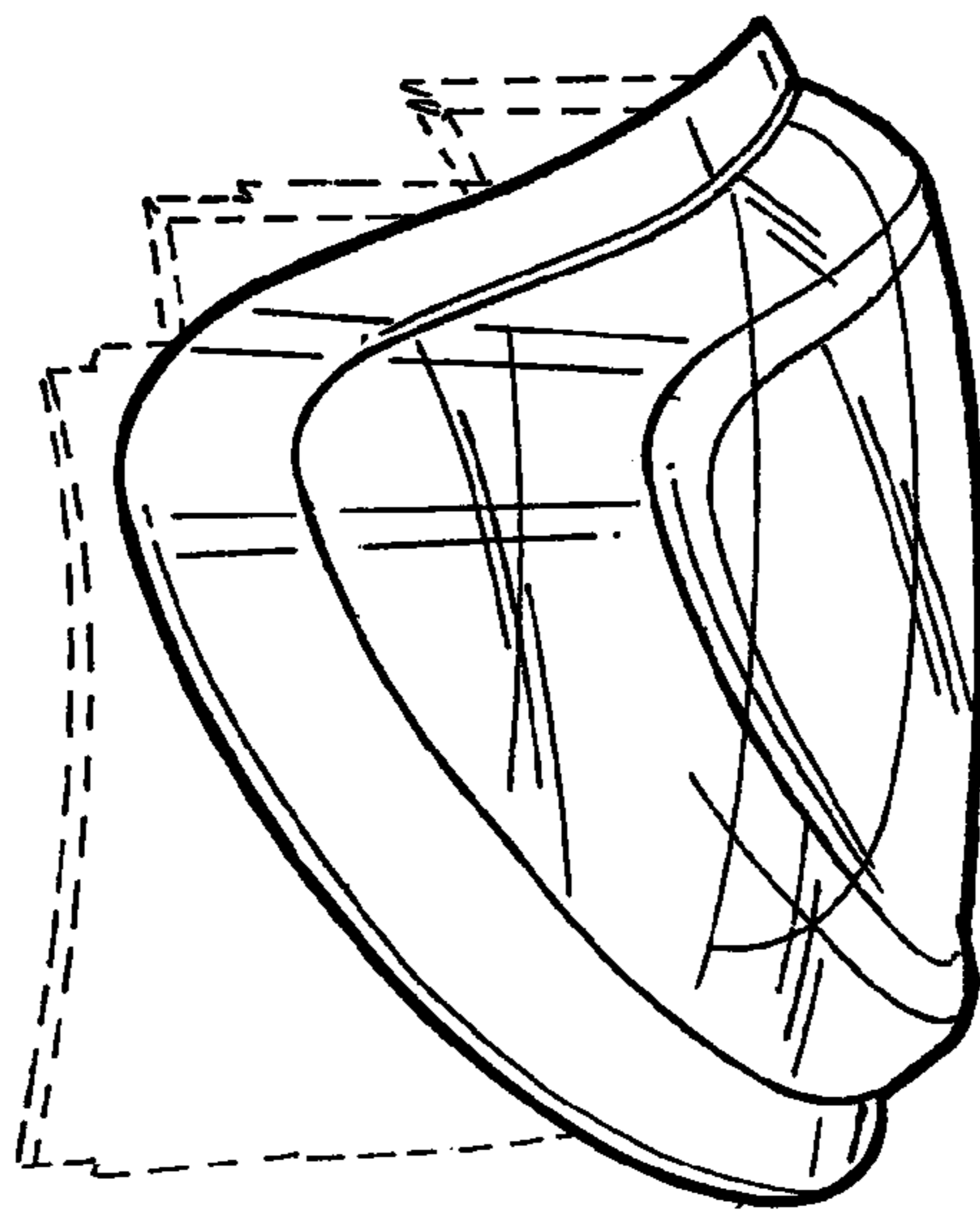


FIG. 2

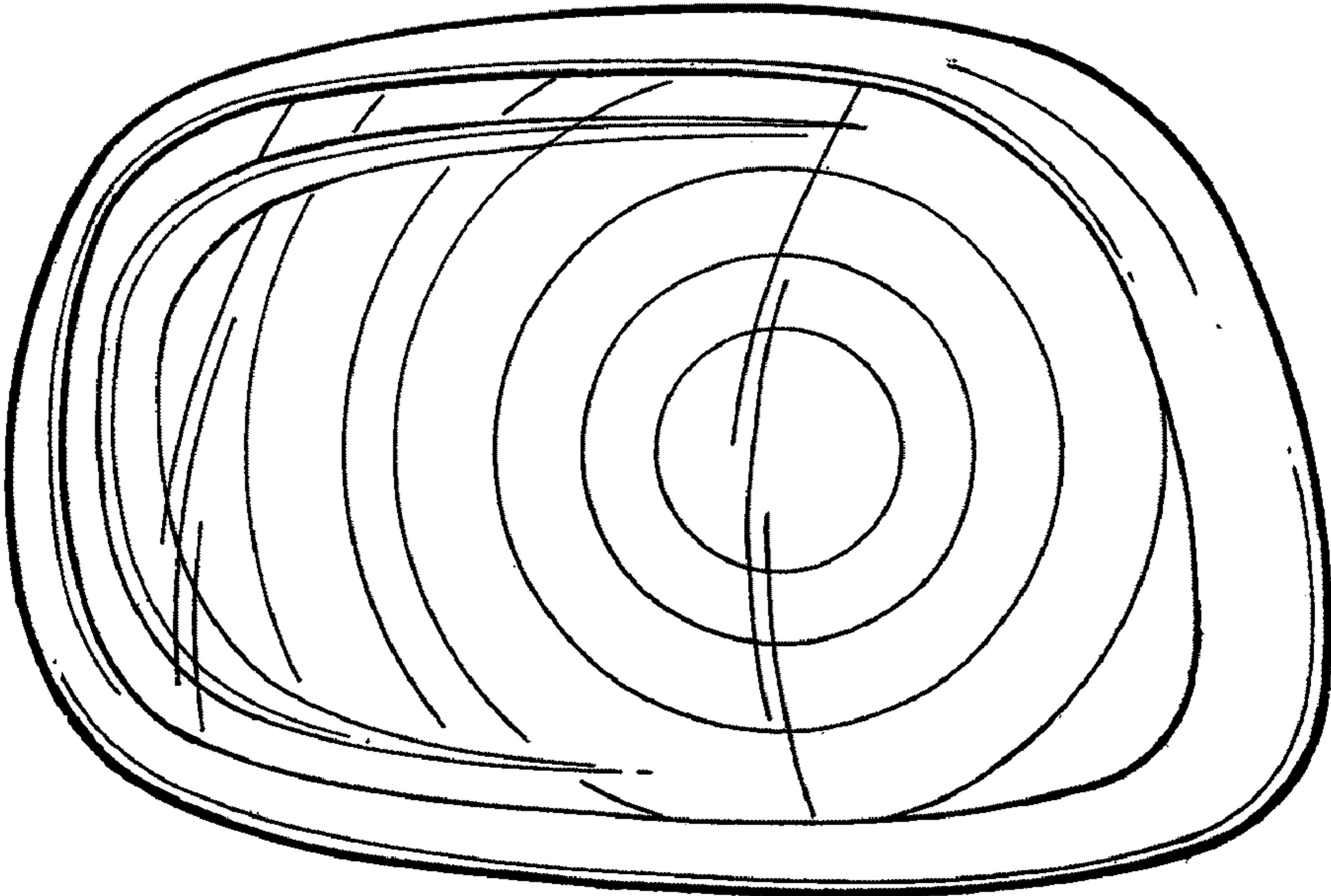


FIG. 3

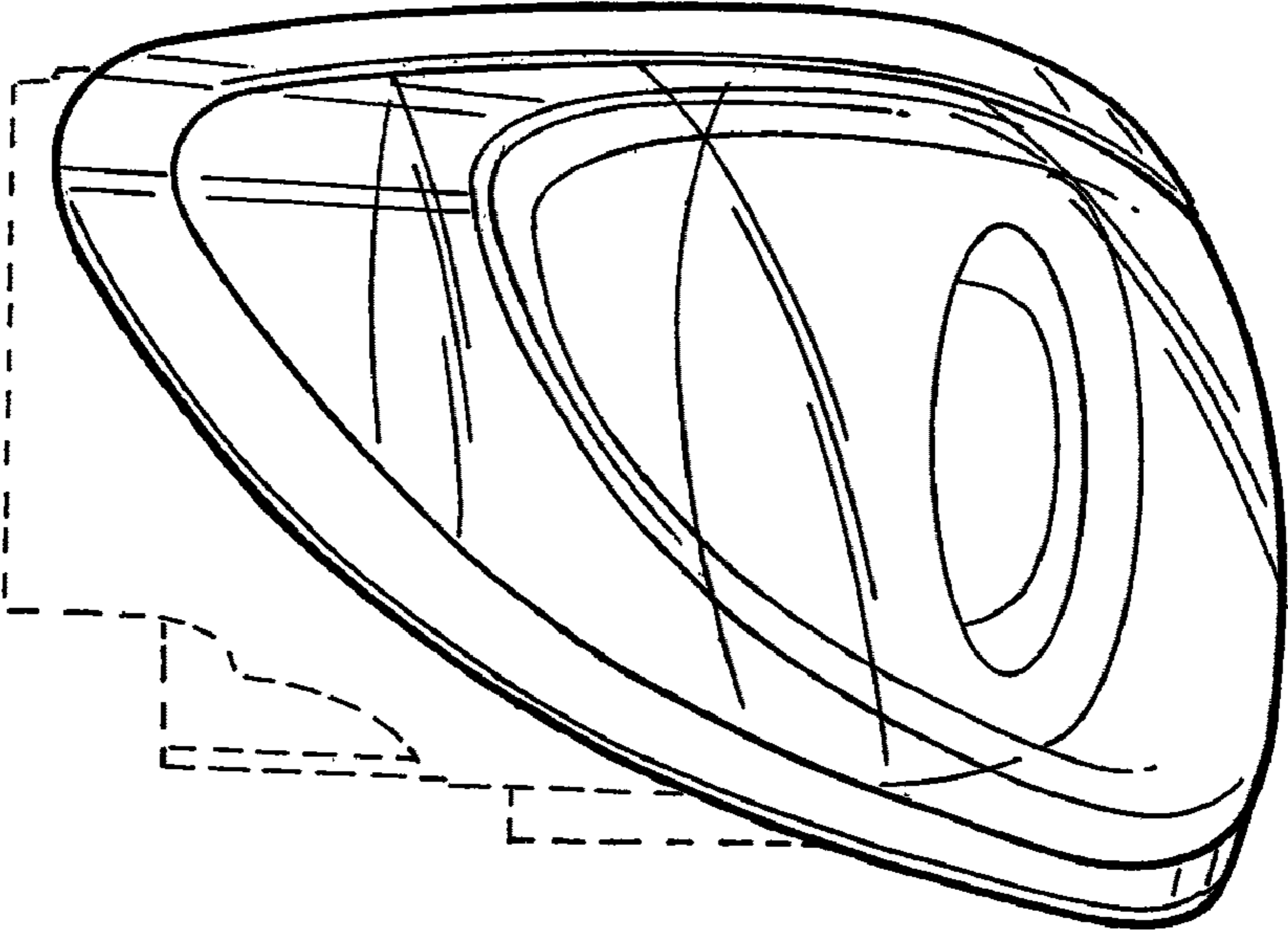


FIG. 4

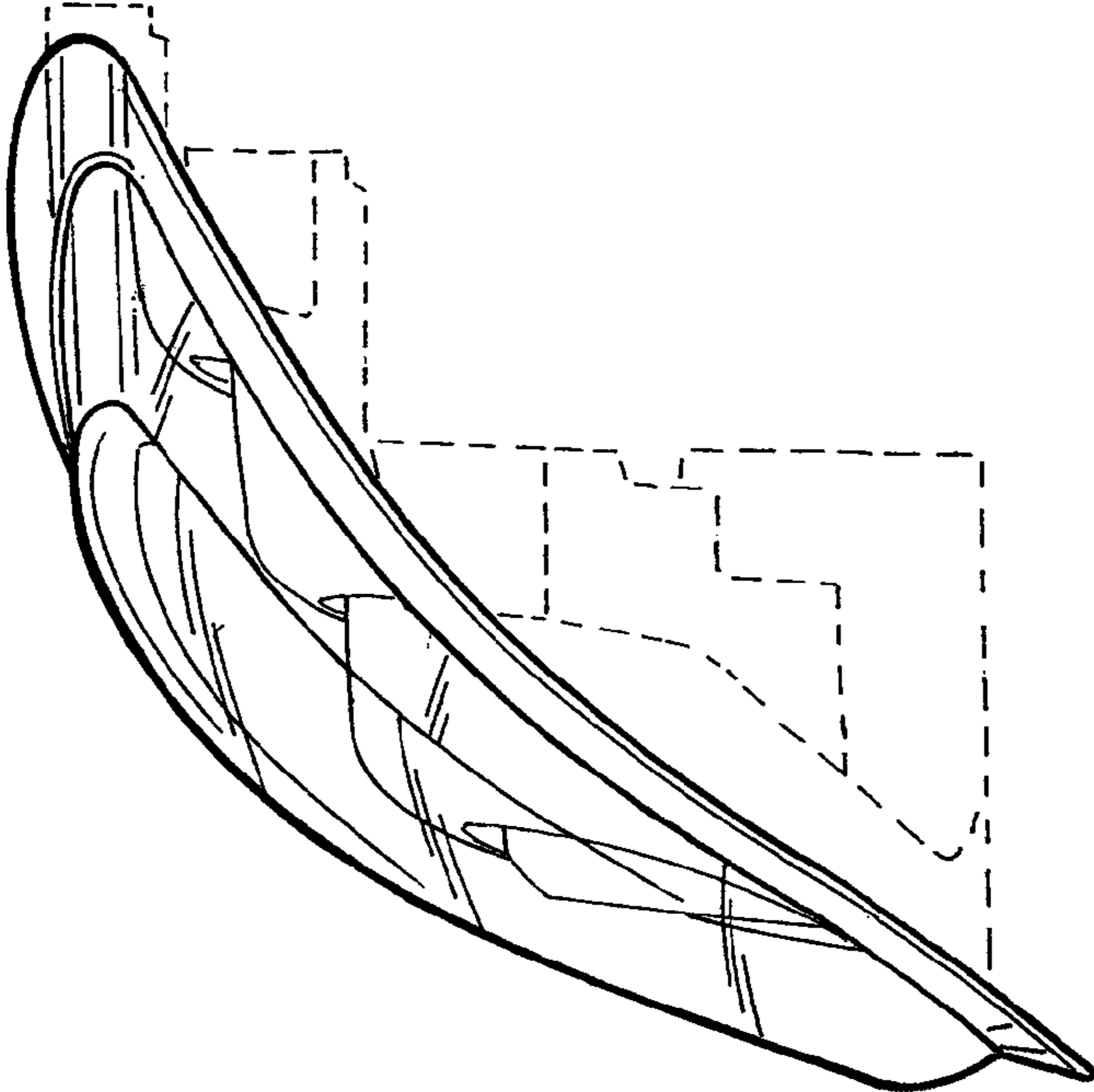


FIG. 5

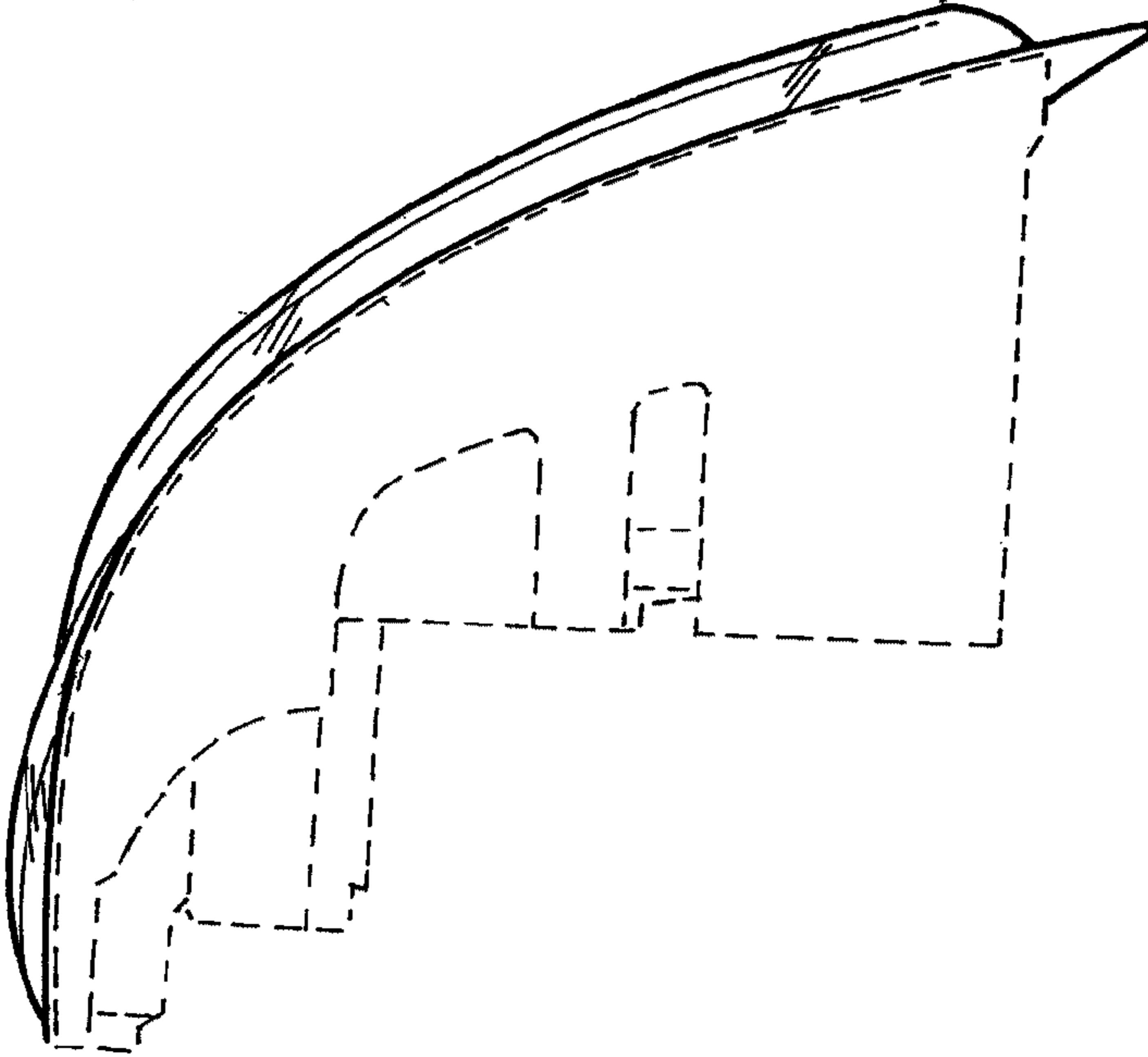


FIG. 6

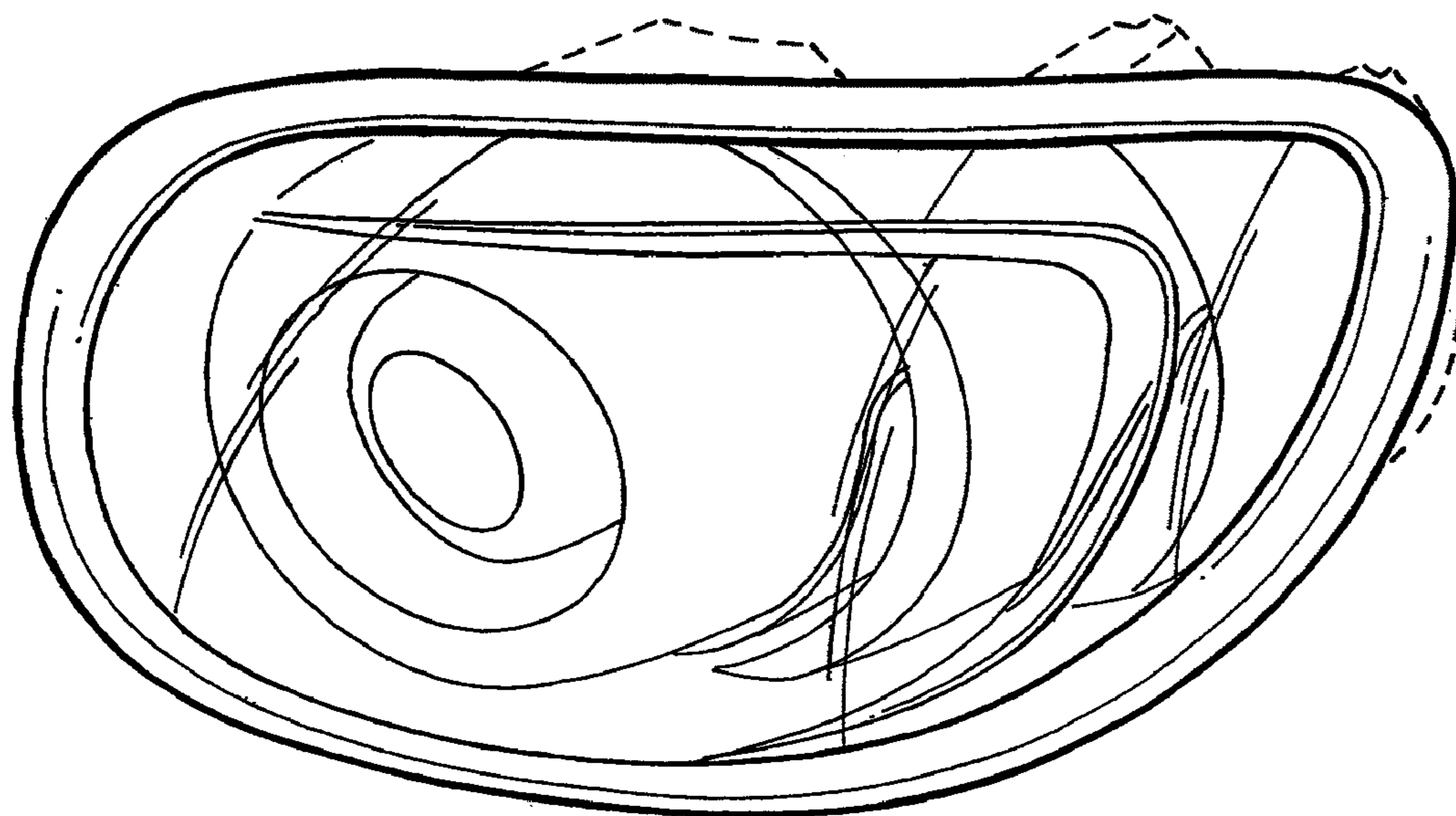


FIG. 7

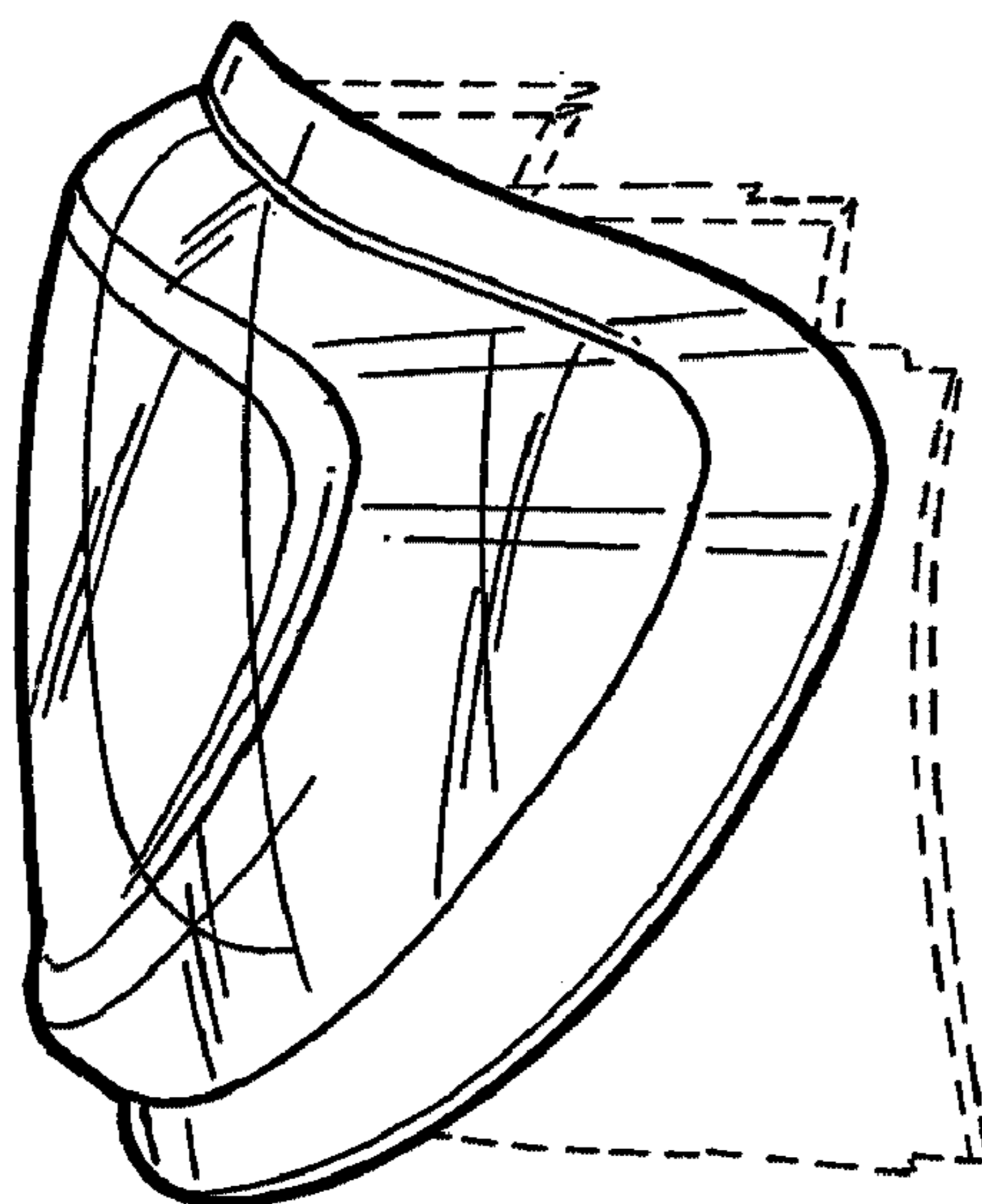


FIG. 8

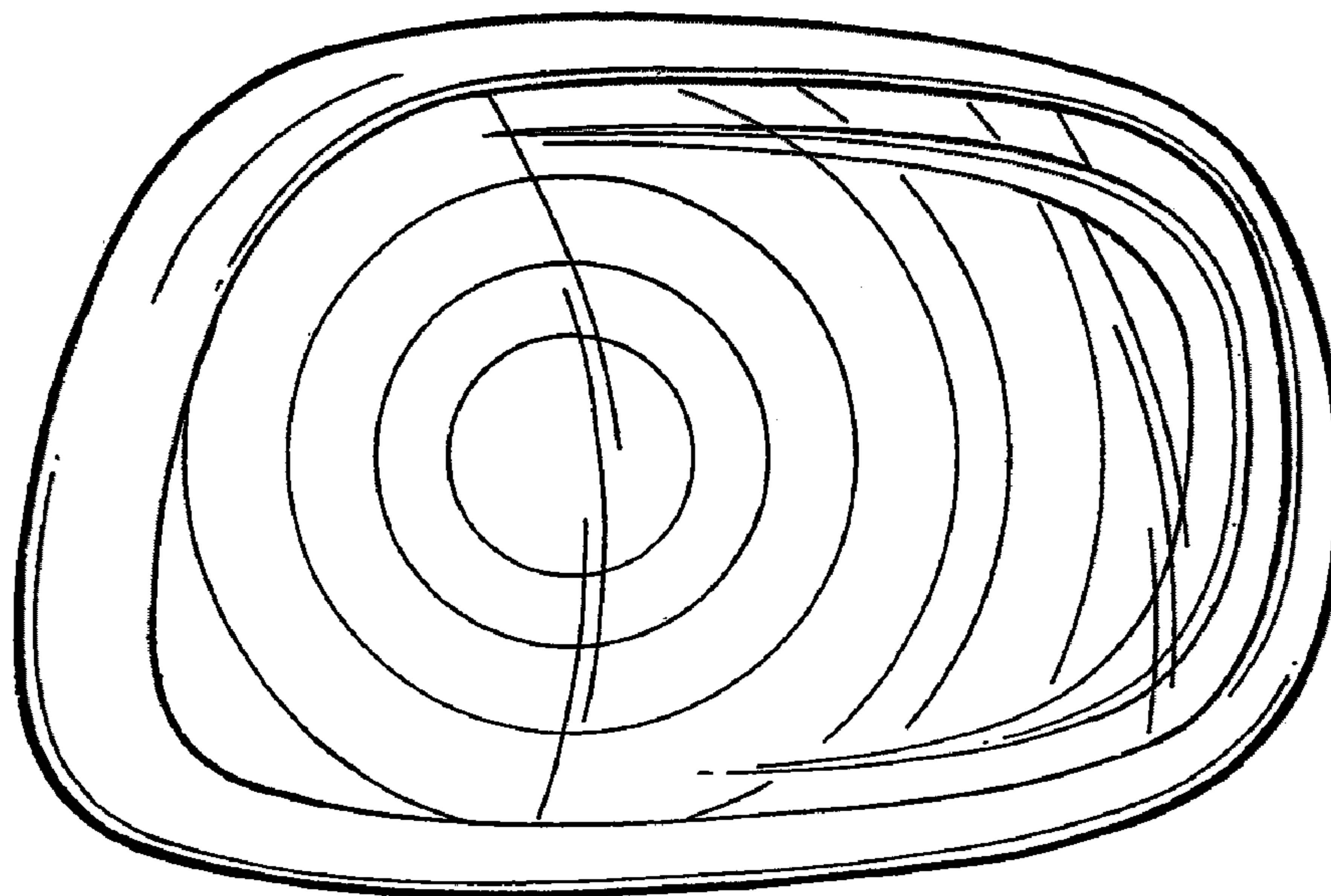


FIG. 9

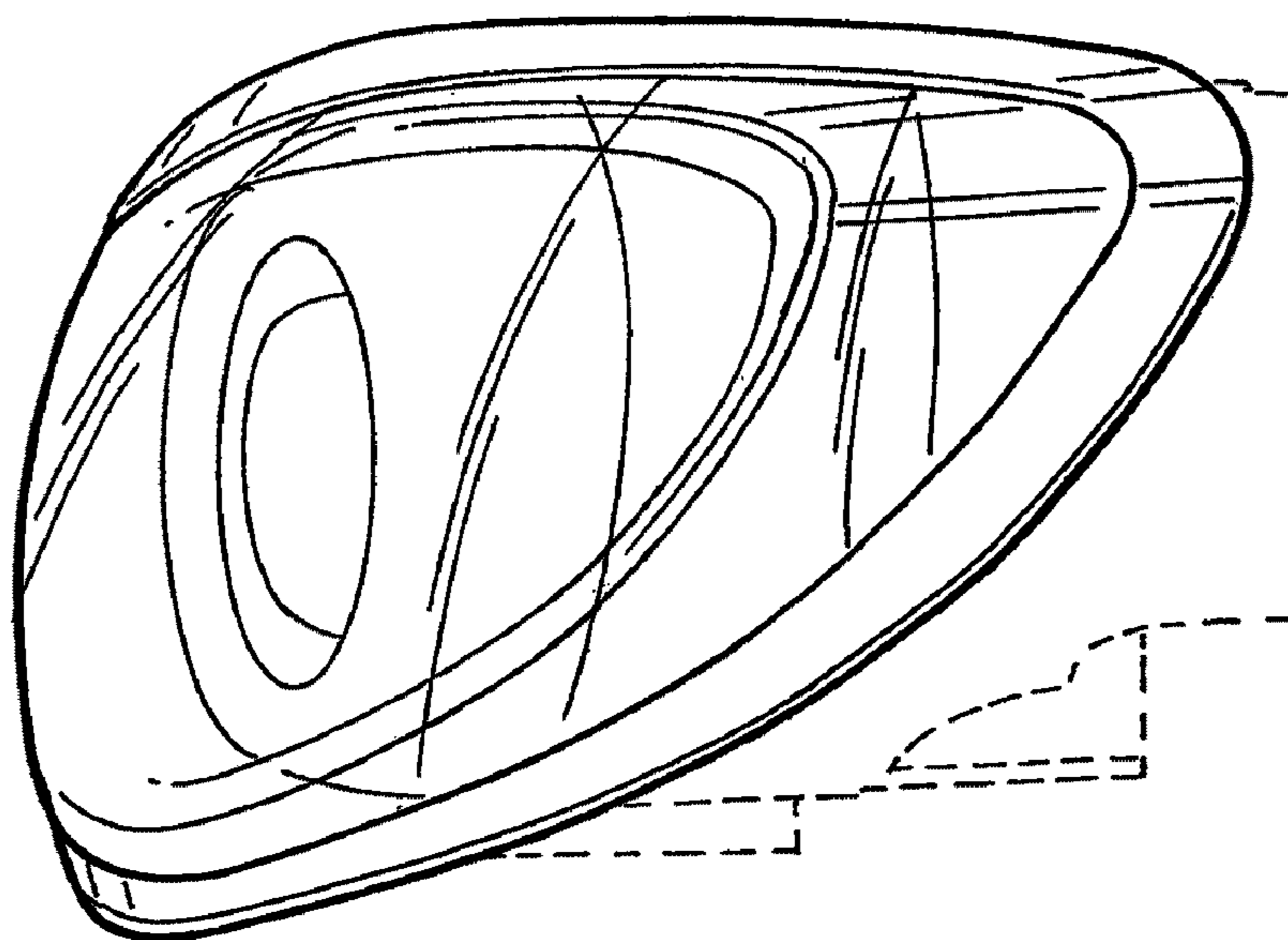


FIG. 10

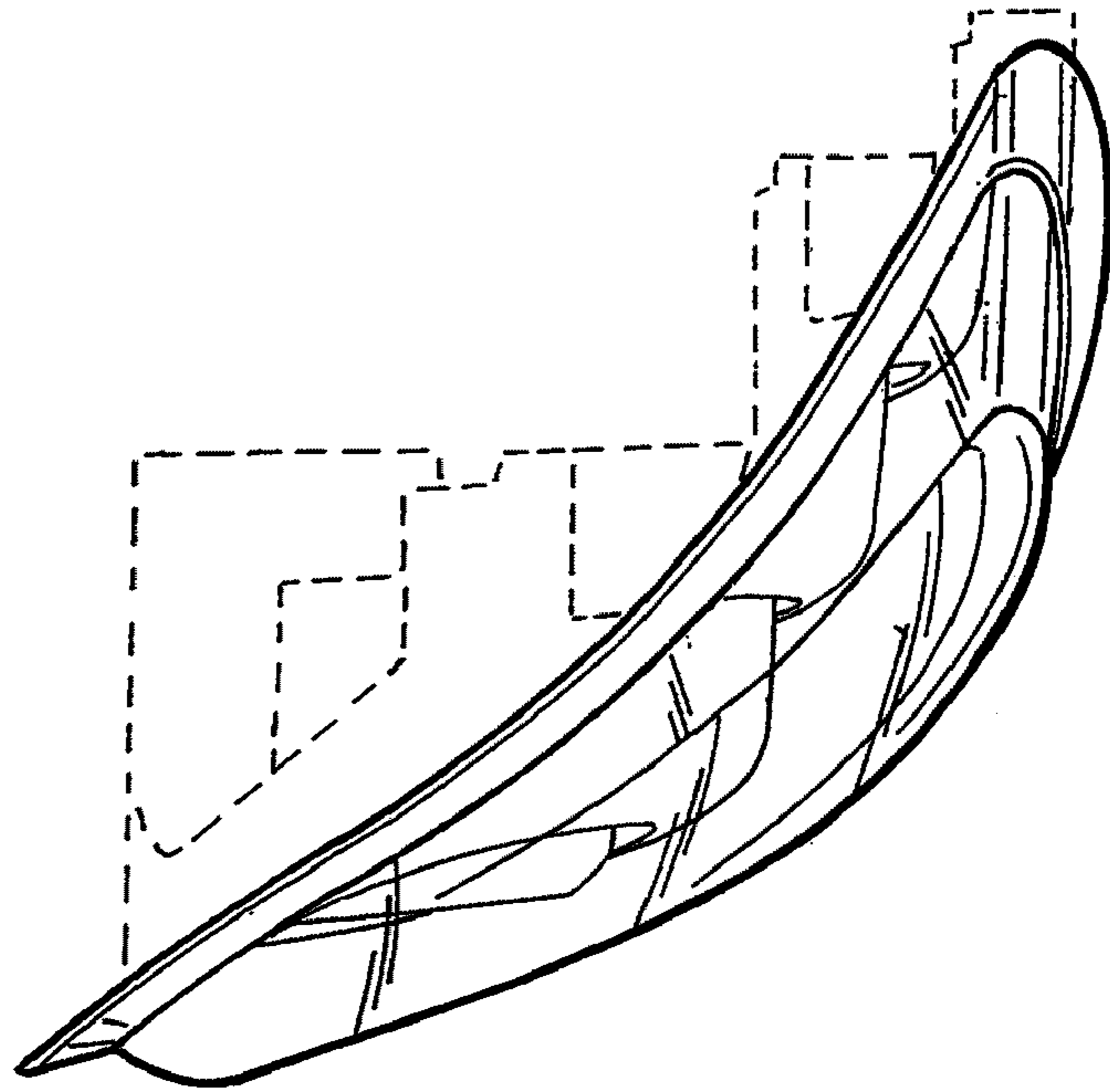


FIG. 11

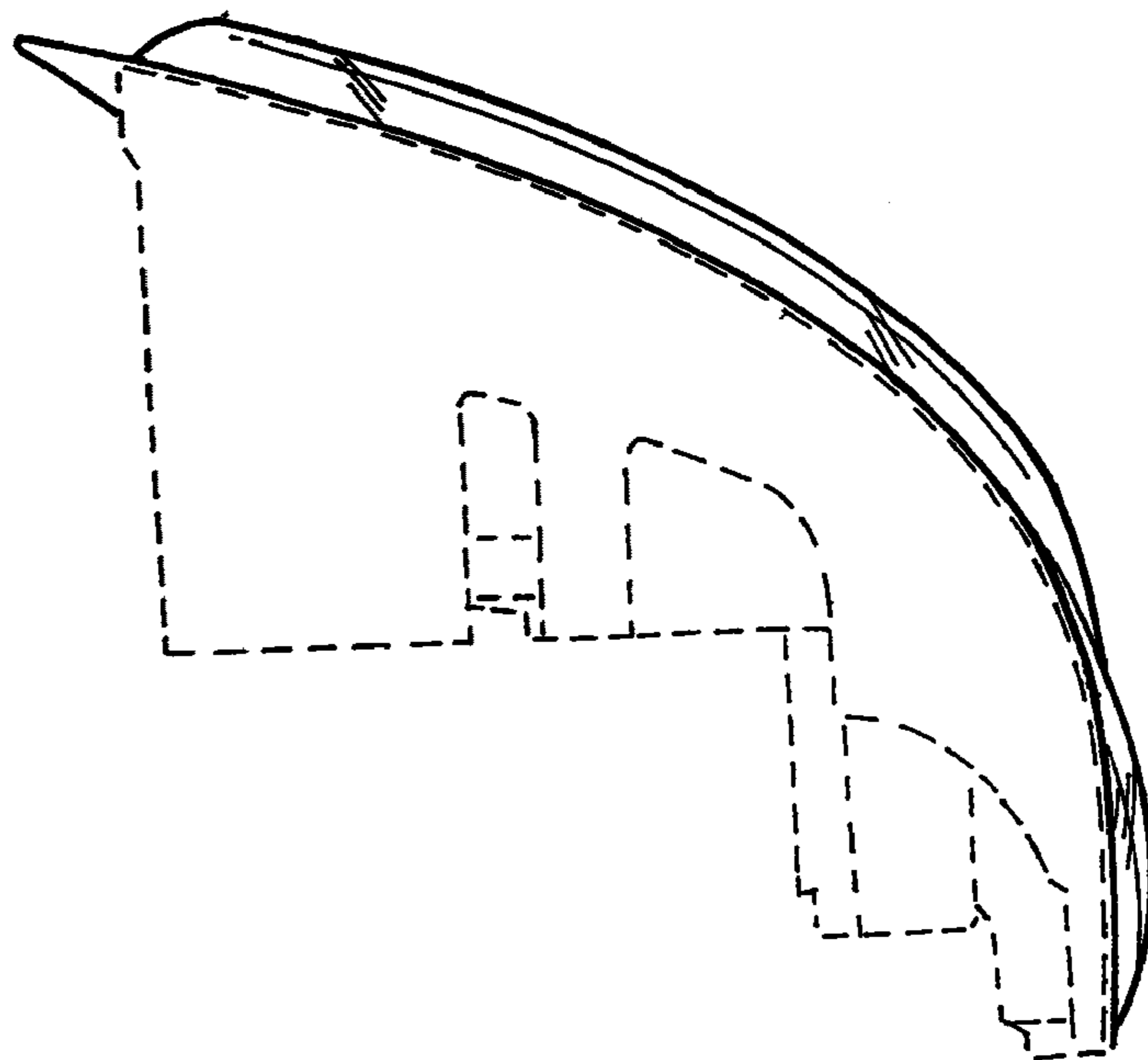


FIG. 12