



US00D654196S

(12) **United States Design Patent**  
**Platto et al.**

(10) **Patent No.:** **US D654,196 S**  
(45) **Date of Patent:** **\*\* Feb. 14, 2012**

(54) **VEHICLE HEADLIGHT**

(75) Inventors: **Gordon M. Platto**, Troy, MI (US); **Earl Clyde Lucas**, Brentwood (GB); **Shawn Sung Yu**, Northville, MI (US)

(73) Assignee: **Ford Motor Company**, Dearborn, MI (US)

(\*\*) Term: **14 Years**

(21) Appl. No.: **29/393,601**

(22) Filed: **Jun. 7, 2011**

(51) **LOC (9) Cl.** ..... **26-06**

(52) **U.S. Cl.** ..... **D26/28**

(58) **Field of Classification Search** ..... D26/28-36;  
362/459-468, 475-478, 485-487  
See application file for complete search history.

(56) **References Cited**

**U.S. PATENT DOCUMENTS**

D556,349 S	*	11/2007	Golden et al.	.....	D26/28
D560,291 S	*	1/2008	Koyama	.....	D26/28
D561,358 S	*	2/2008	Tachibana	.....	D26/28
D635,694 S	*	4/2011	Yang et al.	.....	D26/28

**OTHER PUBLICATIONS**

Ford Taurus, New York International Auto Show, Apr. 25, 2011.

\* cited by examiner

*Primary Examiner* — Marcus Jackson

(74) *Attorney, Agent, or Firm* — Damian Porcari

(57) **CLAIM**

The ornamental design for a vehicle headlight, as shown and described.

**DESCRIPTION**

FIG. 1 is a left side elevational view of a left vehicle headlight (the right vehicle headlight being a mirror image and is not shown);

FIG. 2 is a right side elevational view of the vehicle headlight;

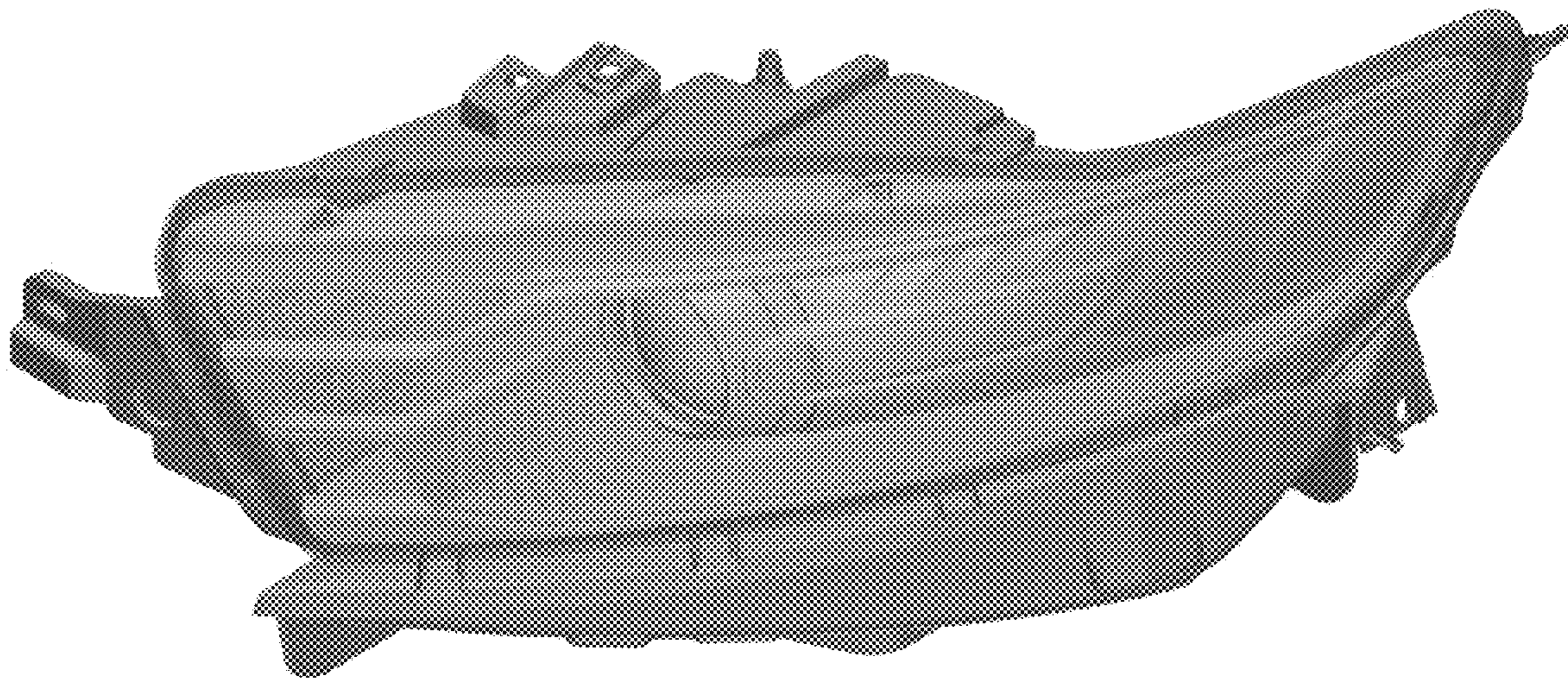
FIG. 3 is a front elevational view of the vehicle headlight;

FIG. 4 is a top plan view of the vehicle headlight;

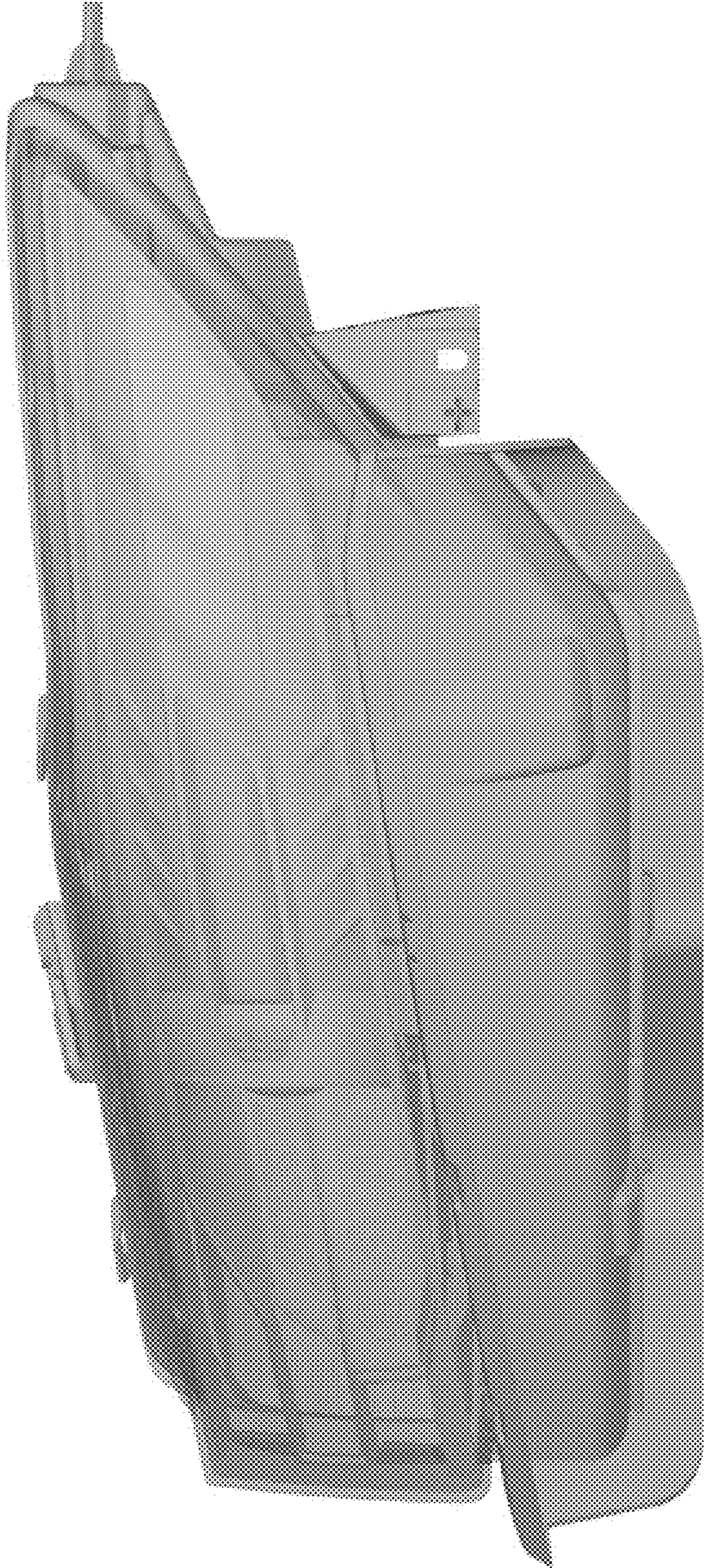
FIG. 5 is a bottom plan view of the vehicle headlight; and,

FIG. 6 is a perspective view of the vehicle headlight.

**1 Claim, 6 Drawing Sheets**







*Figure 1*



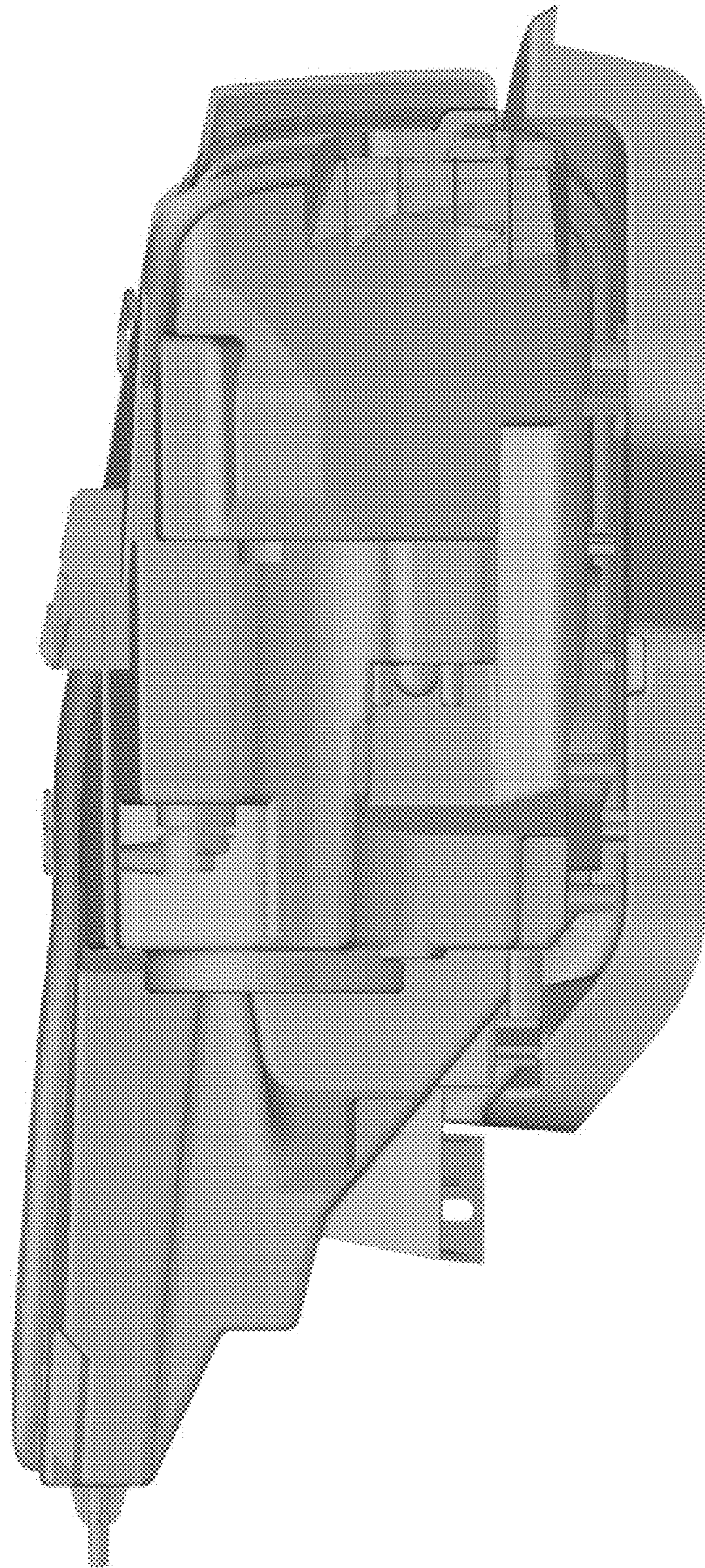
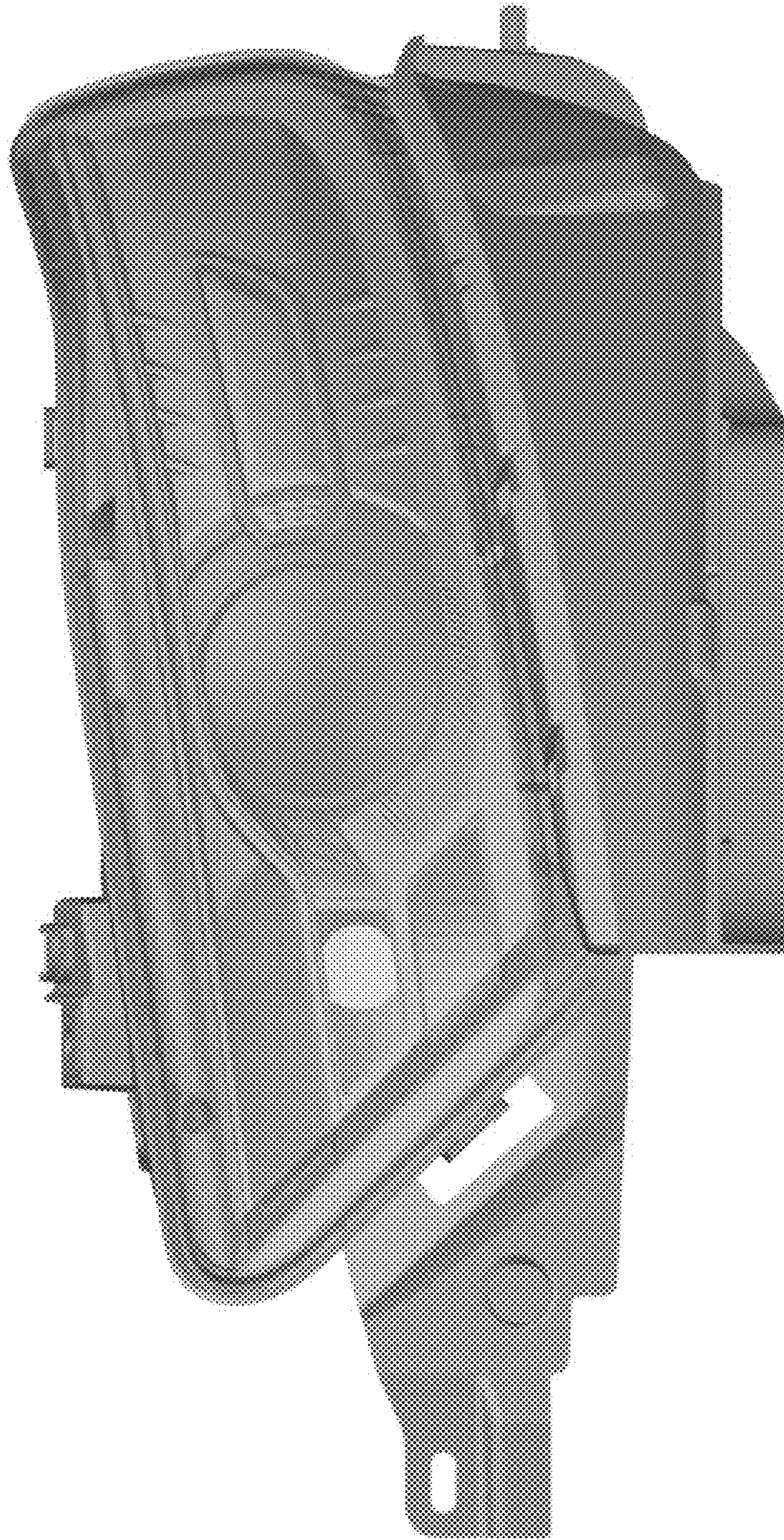


Figure 2





*Figure 3*



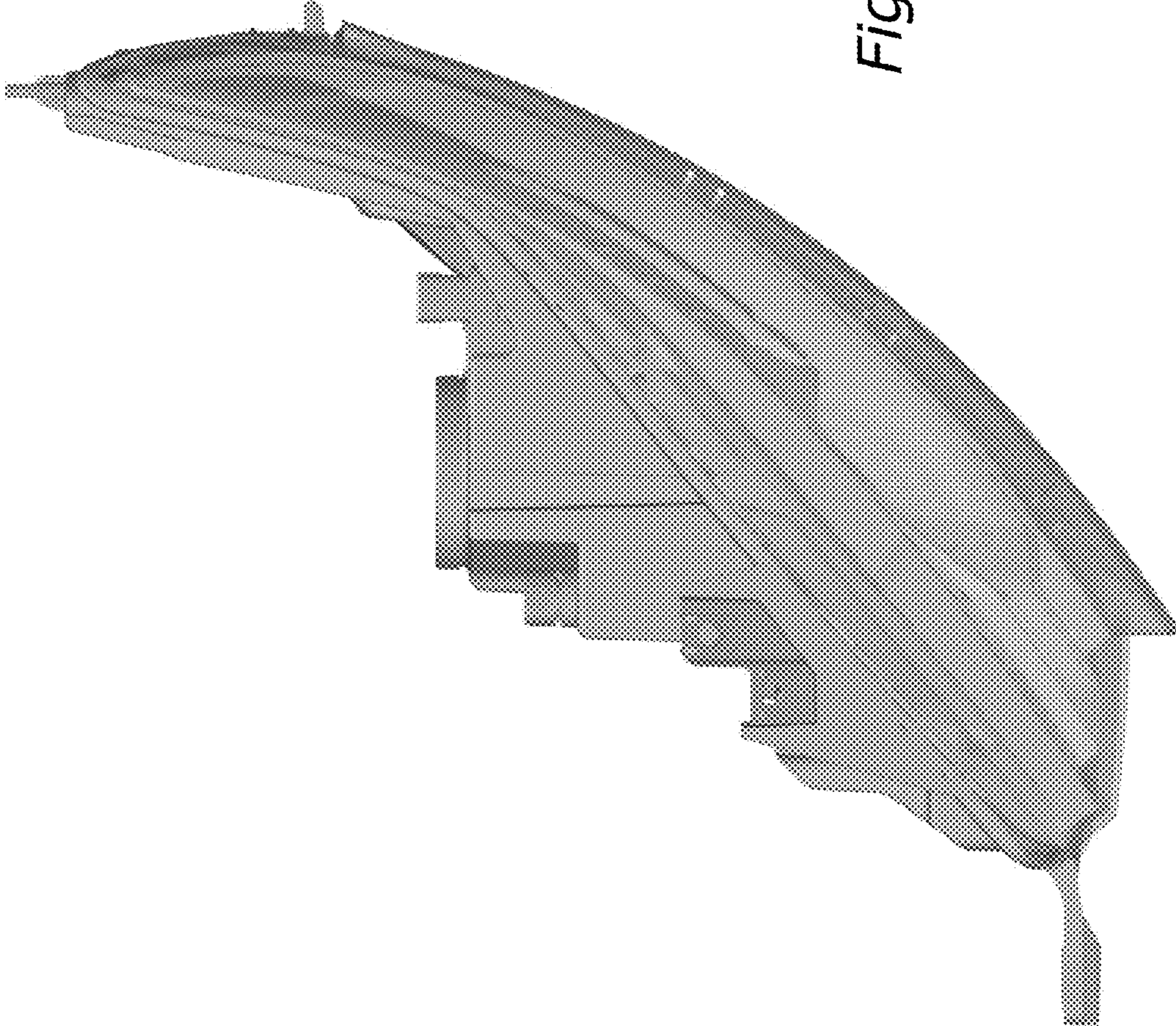
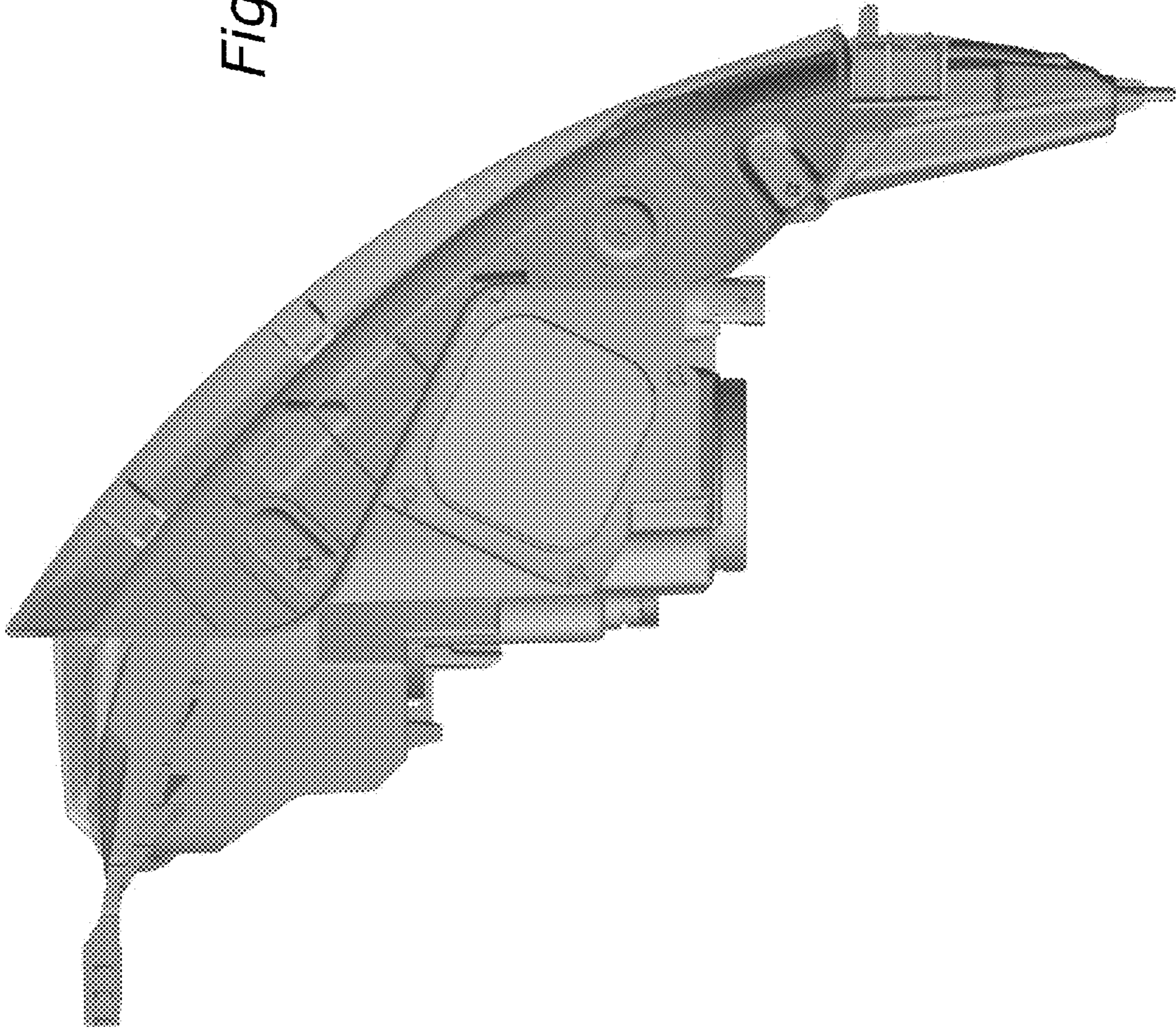


Figure 4

Figure 5





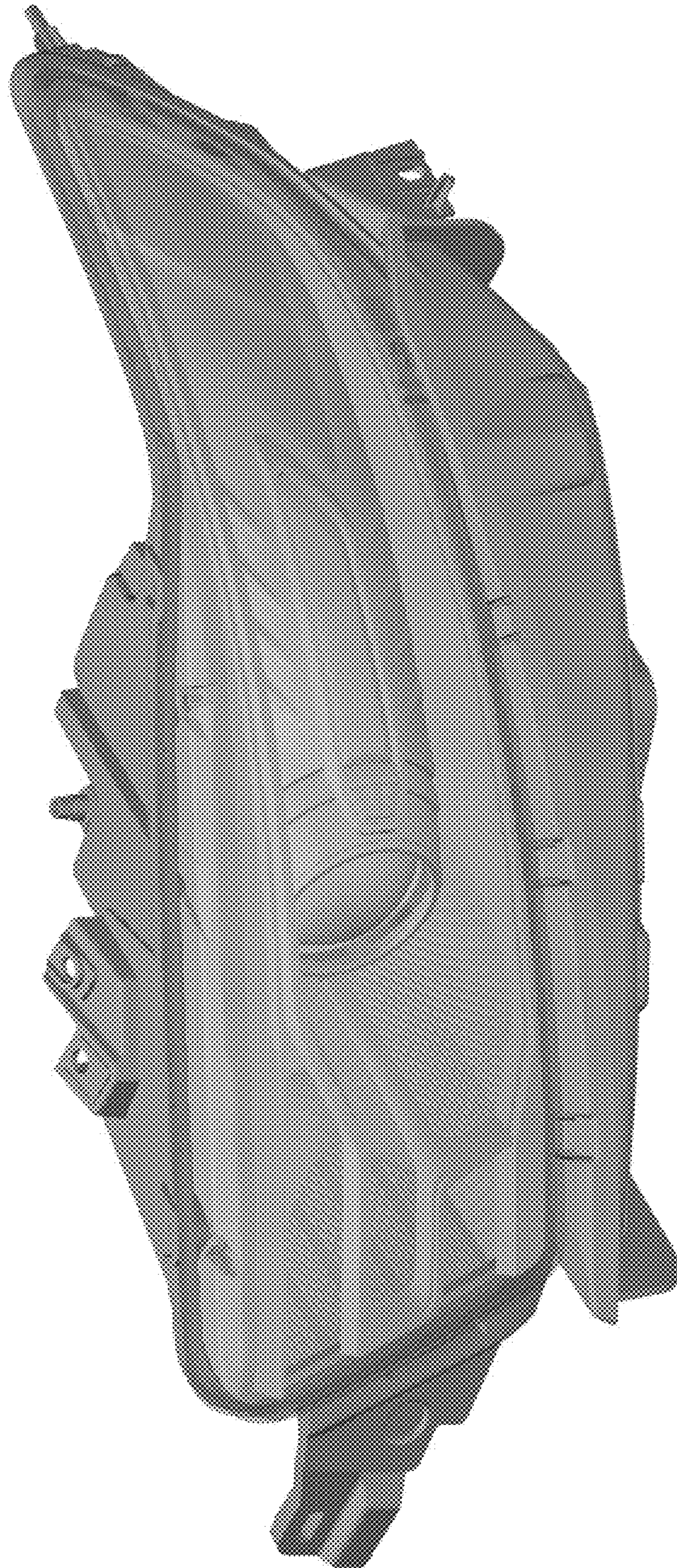


Figure 6