



US00D654192S

(12) **United States Design Patent**
Maxik et al.

(10) **Patent No.:** **US D654,192 S**

(45) **Date of Patent:** **** Feb. 14, 2012**

(54) **BODY PORTION OF A LAMP**

(Continued)

(75) Inventors: **Fredric S. Maxik**, Indialantic, FL (US);
Addy S. Widjaja, Palm Bay, FL (US)

Primary Examiner — Marcus Jackson

(74) *Attorney, Agent, or Firm* — Cantor Colburn LLP

(73) Assignee: **Lighting Science Group Coporation**,
Westampton, NJ (US)

(57) **CLAIM**

We claim, the ornamental design for a body portion of a lamp,
as shown and described.

(**) Term: **14 Years**

DESCRIPTION

(21) Appl. No.: **29/336,987**

(22) Filed: **May 13, 2009**

(51) **LOC (9) Cl.** **26-04**

(52) **U.S. Cl.** **D26/2**

(58) **Field of Classification Search** D26/1-4;
313/313, 315, 316, 317, 318, 493; 315/52,
315/53, 56, 57, 58

See application file for complete search history.

FIG. 1 is a first perspective view of an exemplary embodiment
of the invention;

FIG. 2 is a second perspective view of the exemplary embodi-
ment of FIG. 1;

FIG. 3 is a side plan view of the exemplary embodiment of
FIG. 1, the body portion of a lamp being symmetric about a
center axis;

FIG. 4 is a top plan view of the exemplary embodiment of
FIG. 1; and,

FIG. 5 is a bottom plan view of the exemplary embodiment of
FIG. 1.

The phantom lines shown in FIG. 1-FIG. 5 are environmental
and not part of the claimed design.

The color of the body portion of a lamp forms no part of the
claimed design, a body portion of a lamp according to the
claimed design may be of any color or combination of colors.
The shading and tones, and any variations thereof, shown in
the figures do not imply any specific colors or color contrast
scheme in the claimed design.

The surface treatment of the of the body portion of a lamp
shown in the figures forms no part of the claimed design, a
body portion of a lamp according to the claimed design may
have any surface treatment.

References to “side”, “top”, and “bottom” in the figure
descriptions are not meant to require certain in-use orienta-
tion, a body portion of a lamp according to the claimed design
may be used in any orientation.

(56) **References Cited**

U.S. PATENT DOCUMENTS

4,375,607	A	3/1983	Morton et al.
4,392,076	A	7/1983	Ishler et al.
D271,424	S	11/1983	Young et al.
D307,805	S	5/1990	Noe
D321,260	S	10/1991	Bowman
5,458,505	A	10/1995	Prager
D391,006	S	2/1998	Yang
5,791,769	A	8/1998	Yang

(Continued)

FOREIGN PATENT DOCUMENTS

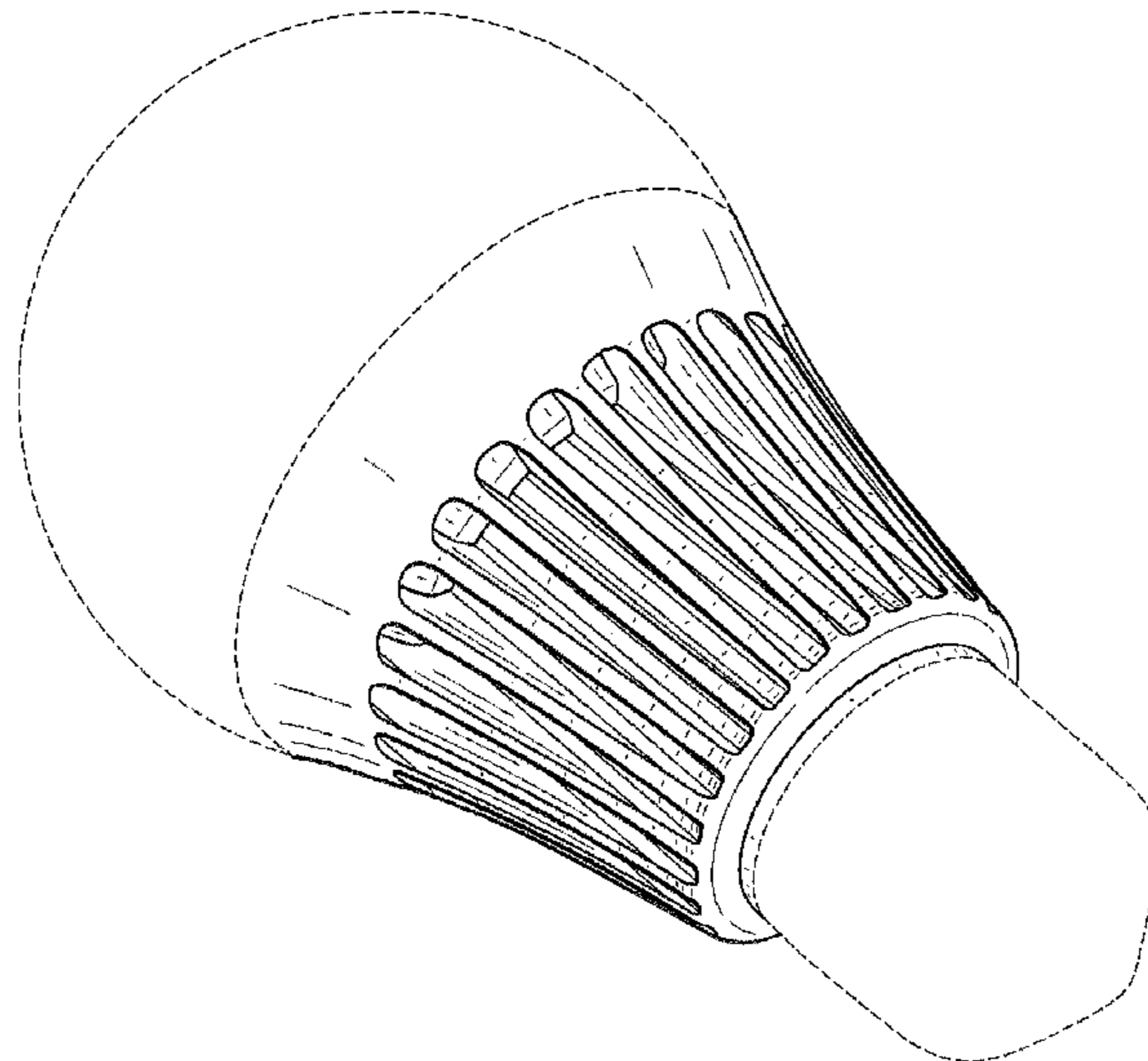
WO 2006/118457 A1 9/2006

(Continued)

OTHER PUBLICATIONS

F.S. Maxik, “GU10 Lamp” Office Action mailed Mar. 16, 2011; U.S.
Appl. No. 29/340,670 filed Jul. 23, 2009.

1 Claim, 5 Drawing Sheets



US D654,192 S

Page 2

U.S. PATENT DOCUMENTS

D470,610 S 2/2003 Bobel
 6,515,433 B1 2/2003 Ge et al.
 D480,486 S 10/2003 Kakuno et al.
 6,655,823 B2 12/2003 Chang
 6,786,625 B2 9/2004 Wesson
 D497,439 S 10/2004 Shaw et al.
 6,848,812 B1 2/2005 Hsieh
 D508,575 S * 8/2005 Buschmann et al. D26/2
 D516,229 S 2/2006 Tang
 D527,119 S 8/2006 Maxik et al.
 D528,227 S * 9/2006 Chou et al. D26/2
 D528,673 S 9/2006 Maxik et al.
 D531,741 S * 11/2006 Takahashi D26/2
 D534,665 S * 1/2007 Egawa et al. D26/2
 D538,950 S 3/2007 Maxik
 D538,951 S 3/2007 Maxik et al.
 D538,952 S 3/2007 Maxik et al.
 D541,957 S 5/2007 Wang
 D545,457 S 6/2007 Chen
 7,226,189 B2 6/2007 Lee et al.
 D560,286 S 1/2008 Maxik et al.
 7,367,688 B1 5/2008 Bucher et al.
 D570,504 S 6/2008 Maxik et al.
 D570,505 S 6/2008 Maxik et al.
 D572,385 S 7/2008 Mazzochette et al.
 7,434,964 B1 10/2008 Zheng et al.
 D581,554 S 11/2008 To et al.
 D581,583 S 11/2008 Peng
 7,448,772 B2 11/2008 Hampton
 D584,837 S 1/2009 Mazzochette et al.
 D586,497 S 2/2009 Wu et al.
 7,513,653 B1 4/2009 Liu et al.
 D593,222 S 5/2009 To et al.
 D594,143 S 6/2009 Montagnat et al.
 D594,995 S 6/2009 Komar
 D595,893 S 7/2009 Maxik et al.
 D597,704 S 8/2009 Peng
 D600,850 S 9/2009 Maxik et al.
 D601,276 S 9/2009 Grajcar
 D601,277 S 9/2009 Grajcar
 D601,278 S * 9/2009 Takahashi D26/2
 D601,279 S 9/2009 Ou et al.
 D607,586 S 1/2010 Ko
 D608,478 S 1/2010 Maxik et al.

D610,271 S 2/2010 Bi
 D610,722 S 2/2010 Bi
 D612,956 S 3/2010 Moon
 D613,433 S 4/2010 Moon
 7,717,590 B1 5/2010 Li
 D617,915 S * 6/2010 Wada et al. D26/2
 D618,369 S 6/2010 Lee et al.
 D620,153 S 7/2010 Wang et al.
 D623,777 S 9/2010 Moon et al.
 D623,778 S 9/2010 Moon et al.
 D623,779 S 9/2010 Wang et al.
 D624,214 S 9/2010 Thomas et al.
 D624,215 S 9/2010 Moon et al.
 D624,669 S 9/2010 Tsai
 D625,437 S 10/2010 Zhang et al.
 D626,260 S 10/2010 Wei
 D626,667 S 11/2010 Jonsson et al.
 D627,087 S 11/2010 Jonsson et al.
 D628,322 S 11/2010 Sakai et al.
 D629,930 S 12/2010 Cotter et al.
 D634,031 S 3/2011 de Visser et al.
 D634,037 S * 3/2011 Jeong et al. D26/2
 2006/0215408 A1 9/2006 Lee
 2007/0285926 A1 12/2007 Maxik
 2008/0253125 A1 10/2008 Kang et al.
 2009/0141500 A1 6/2009 Peng
 2009/0296402 A1 12/2009 Chang et al.
 2010/0027270 A1 2/2010 Huang et al.
 2010/0091487 A1 4/2010 Shin

FOREIGN PATENT DOCUMENTS

WO 2006118457 11/2006
 WO 2008113837 A2 9/2008

OTHER PUBLICATIONS

SP-E27 LB60 Nicha / Cree LED Lamp, posted Dec. 18, 2008, http://www.diytrade.com/china/4/products/4950147/SP-E27_LB60_Nicha_Cree_LED_Lamp.html, accessed Jun. 30, 2009.
<http://img.diytrade.com/cdimg/395588/7678937/...> <http://images.google.com/imgres?imgurl=http://img.diytrade.com/cdimg/395588/7678937/...>
 SP-E27 LB60 Nicha / Cree LED Lamp, posted Dec. 18, 2008, http://www.diytrade.com/china/4/products/4950147/SP-E27_LB60_Nicha_Cree_LED_Lamp.html, accessed Jun. 30, 2009.

* cited by examiner

FIG. 1

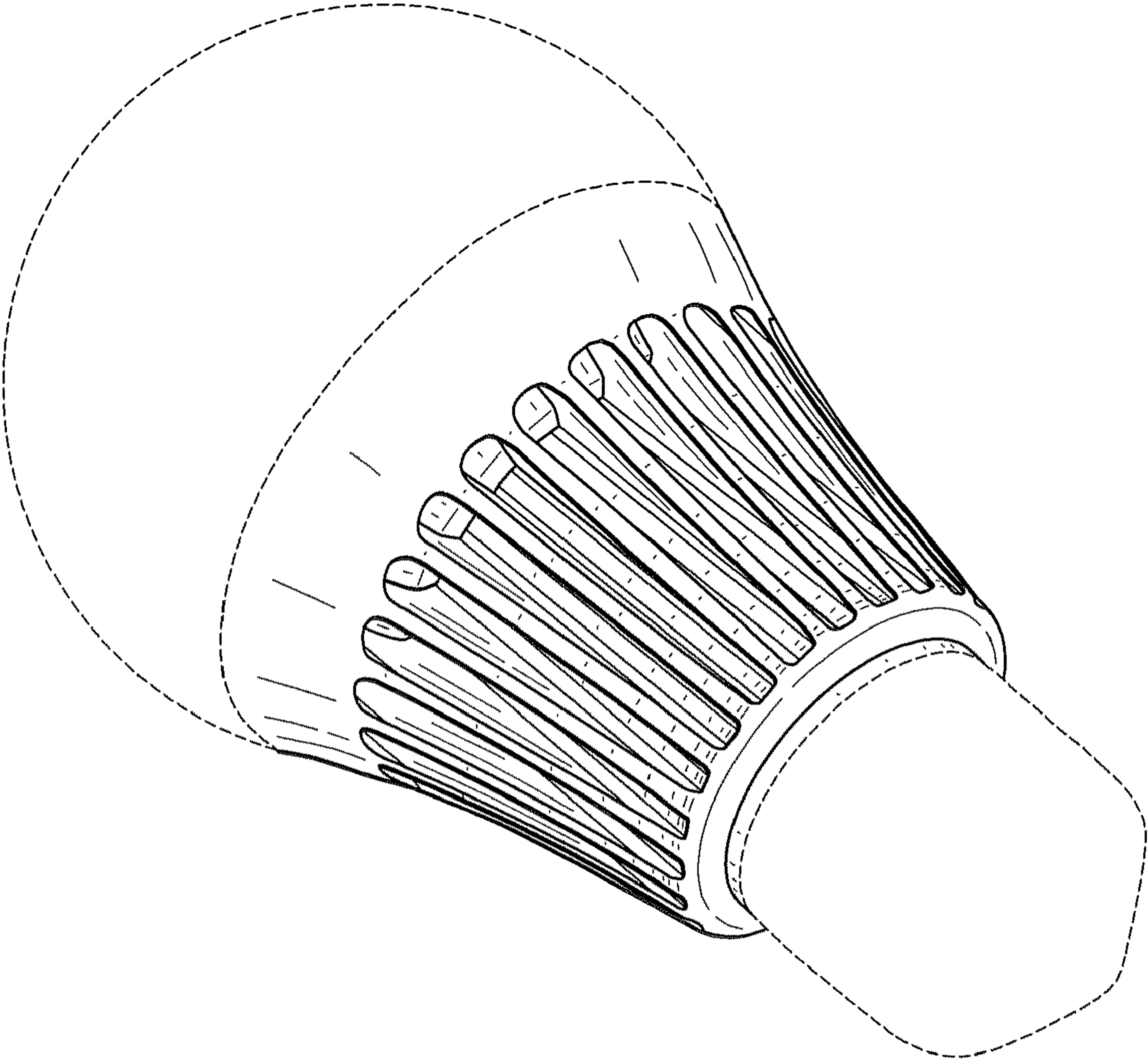


FIG. 2

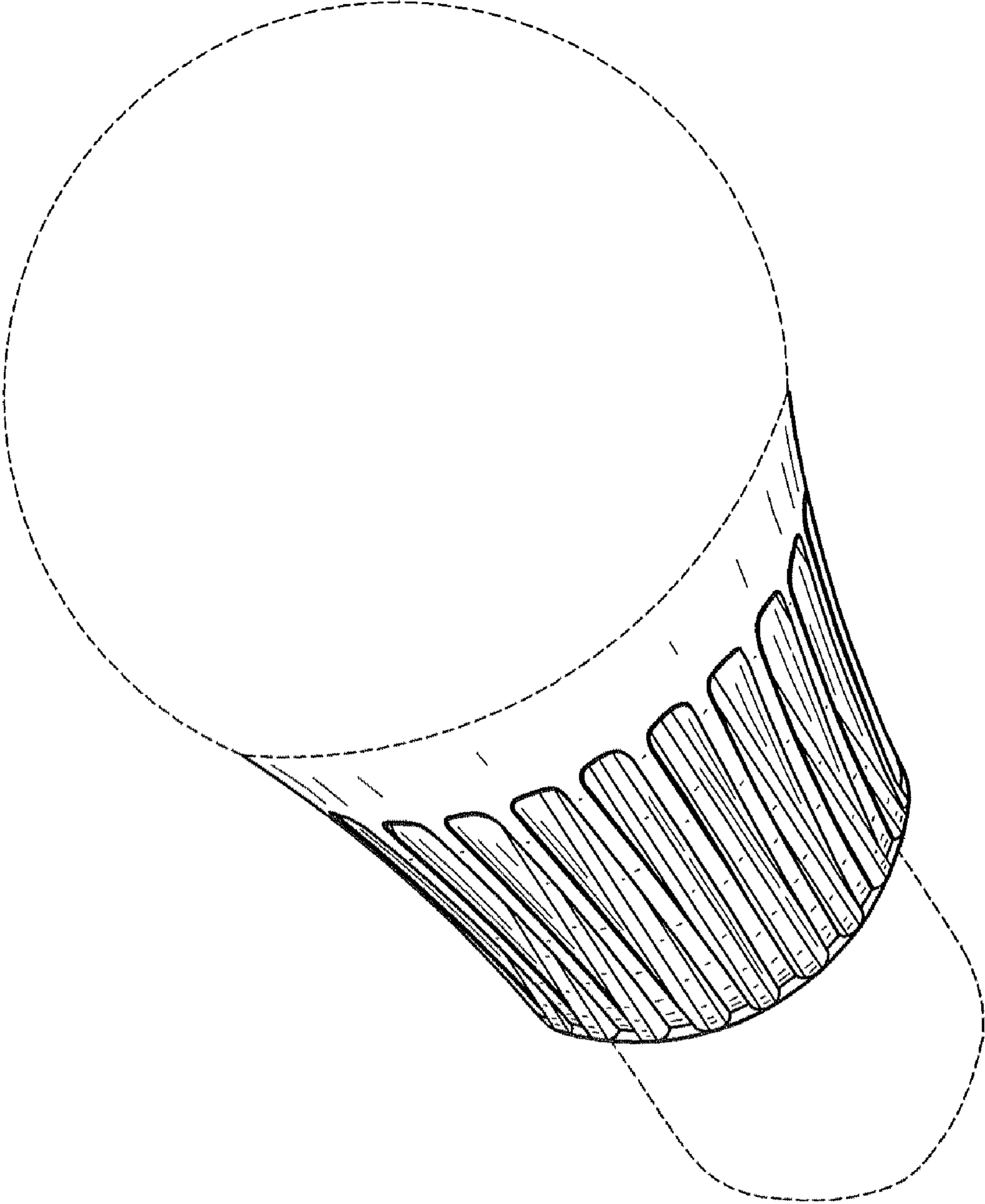


FIG. 3

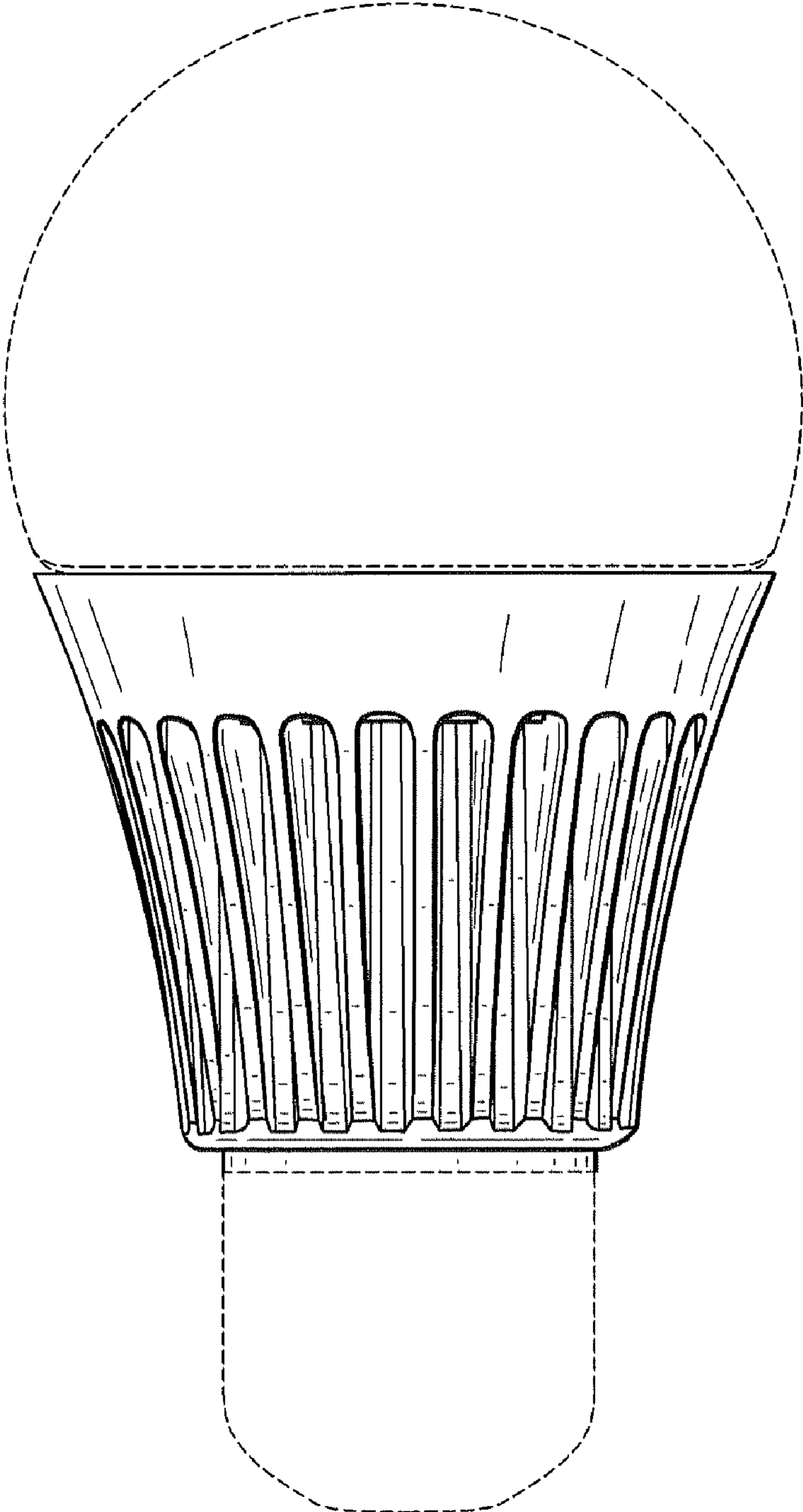


FIG. 4

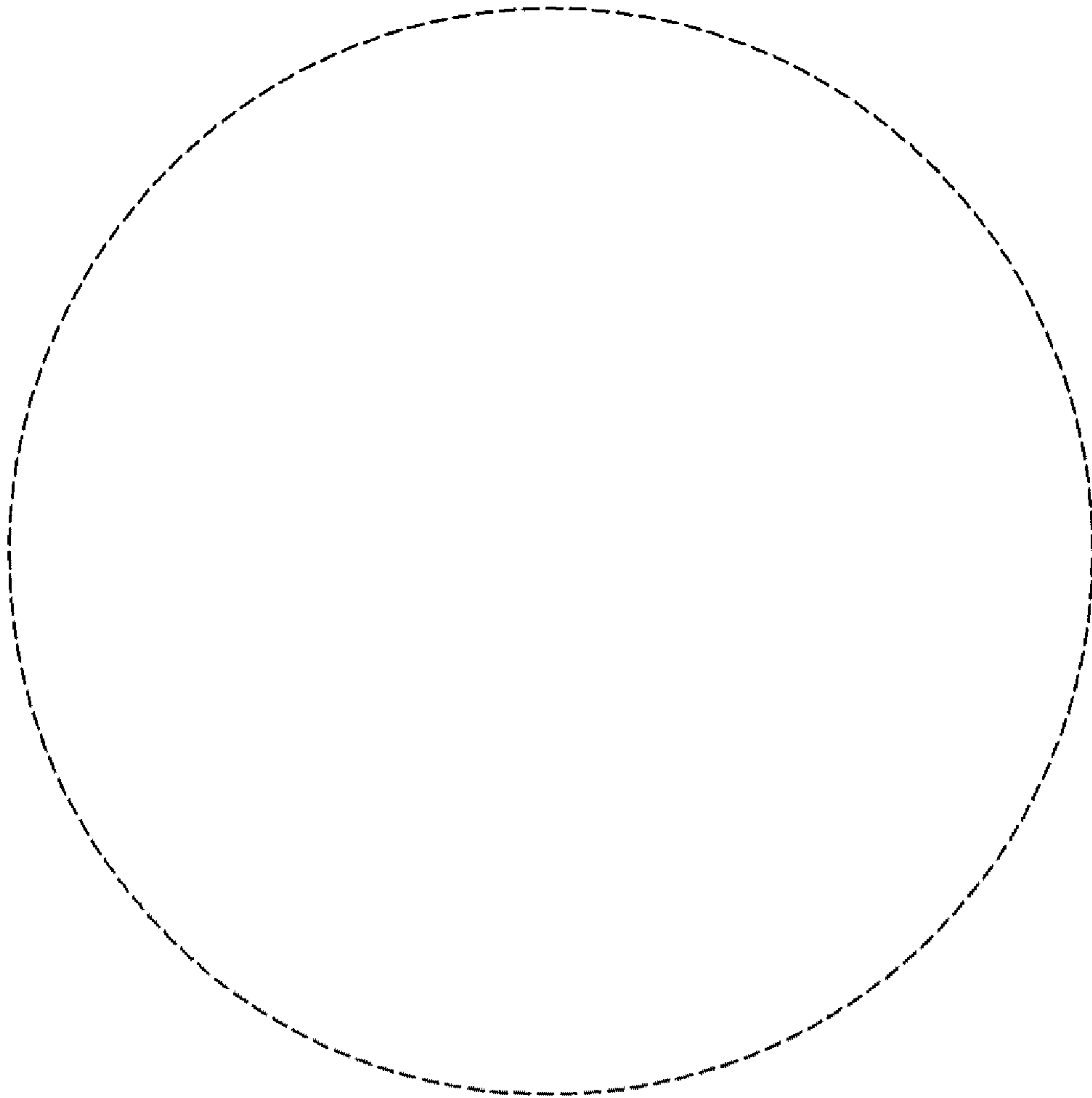


FIG. 5

