



US00D654188S

(12) **United States Design Patent**
Hanlon

(10) **Patent No.:** **US D654,188 S**

(45) **Date of Patent:** **** Feb. 14, 2012**

(54) **STRUCTURAL MEMBER**

2007/0151172 A1* 7/2007 Turco 52/127.6
* cited by examiner

(76) Inventor: **John W. Hanlon**, Littleton, CO (US)

Primary Examiner — Doris Clark

(**) Term: **14 Years**

(74) *Attorney, Agent, or Firm* — Peter J. Borghetti; David G. Oberdick

(21) Appl. No.: **29/369,762**

(57) **CLAIM**

(22) Filed: **Sep. 13, 2010**

I claim the ornamental design for a structural member, as shown and described.

(51) **LOC (9) Cl.** **25-01**

(52) **U.S. Cl.** **D25/126**

(58) **Field of Classification Search** D25/126;
52/480, 481.1, 461, 460, 459, 468, 464, 416,
52/417, 424, 407.3, 392, 396.1, 319, 93.1,
52/92.1, 92.2, 846, 848, 127.6

See application file for complete search history.

DESCRIPTION

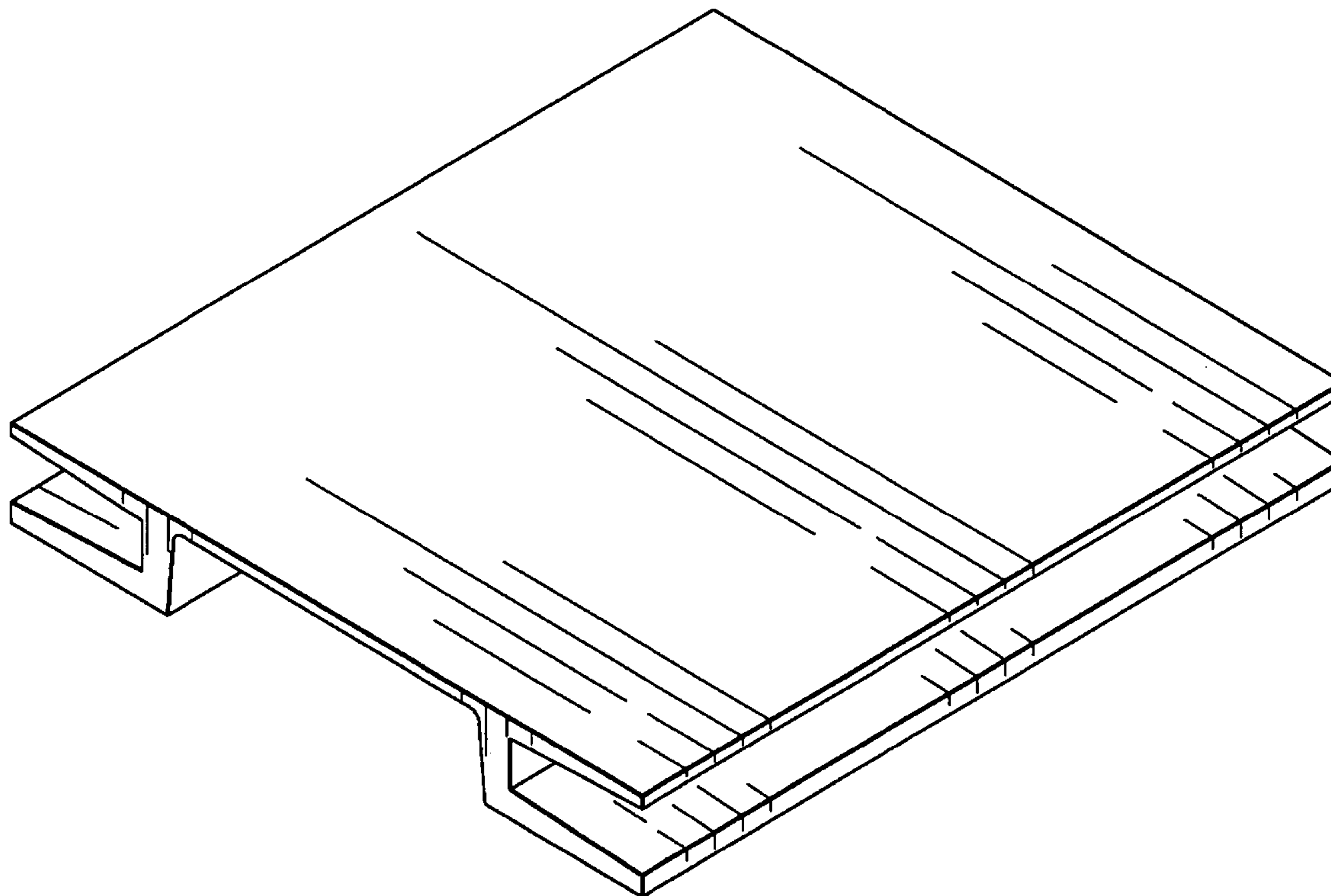
(56) **References Cited**

U.S. PATENT DOCUMENTS

4,020,611 A * 5/1977 Amos 52/586.1
6,966,161 B2 * 11/2005 Palsson et al. 52/589.1
D567,397 S * 4/2008 Terada et al. D25/126

FIG. 1 is a perspective view of a structural member of my new design;
FIG. 2 is a right side view of the structural member of FIG. 1;
FIG. 3 is a top view of the structural member of FIG. 1;
FIG. 4 is a left side view of the structural member of FIG. 1;
and
FIG. 5 is a bottom view of the structural member of FIG. 1;
and
FIG. 6 is a front view of the structural member of FIG. 1; and,
FIG. 7 is a rear view of the structural member of FIG. 1.

1 Claim, 4 Drawing Sheets



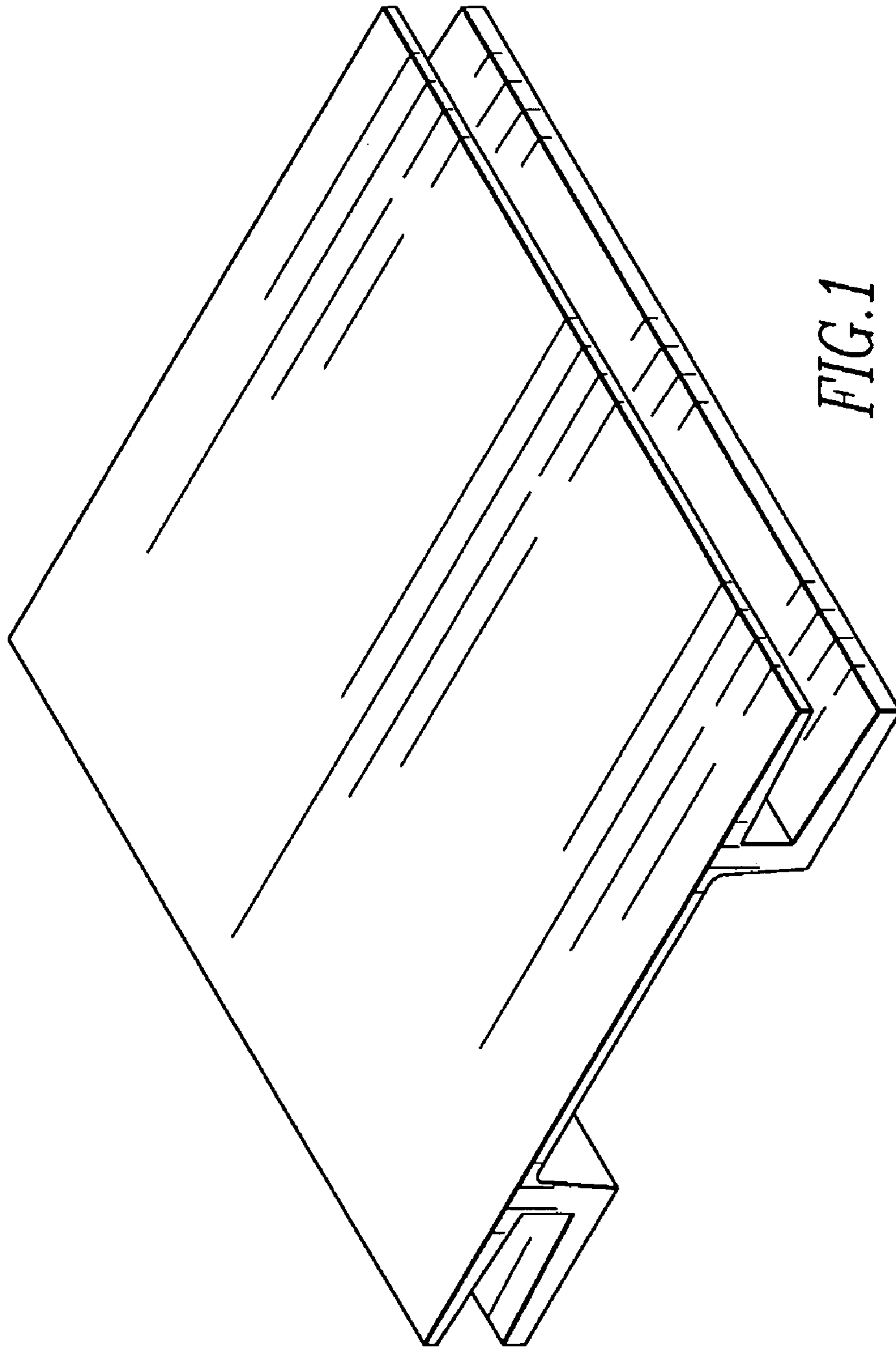


FIG. 1

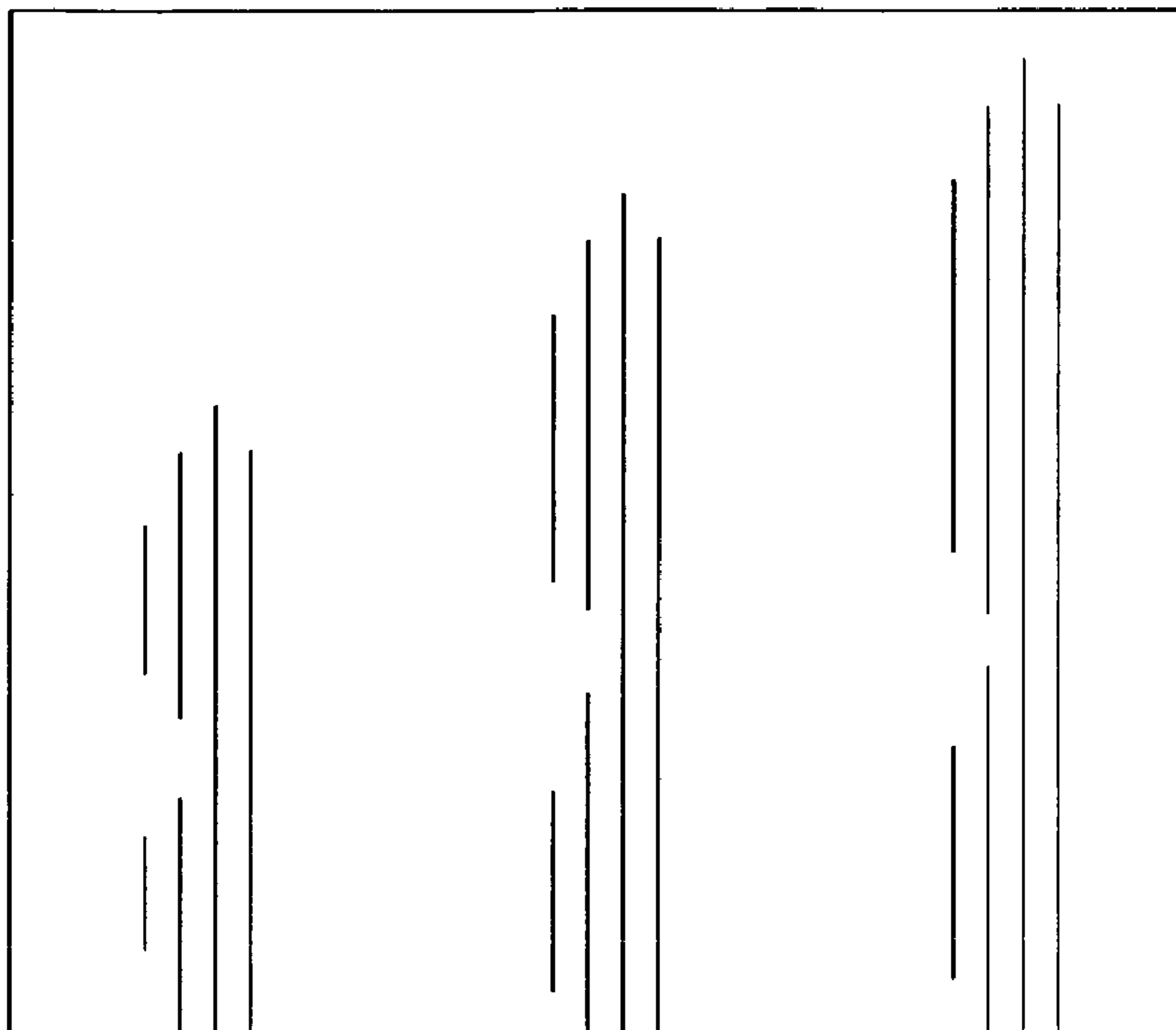


FIG. 3



FIG. 2

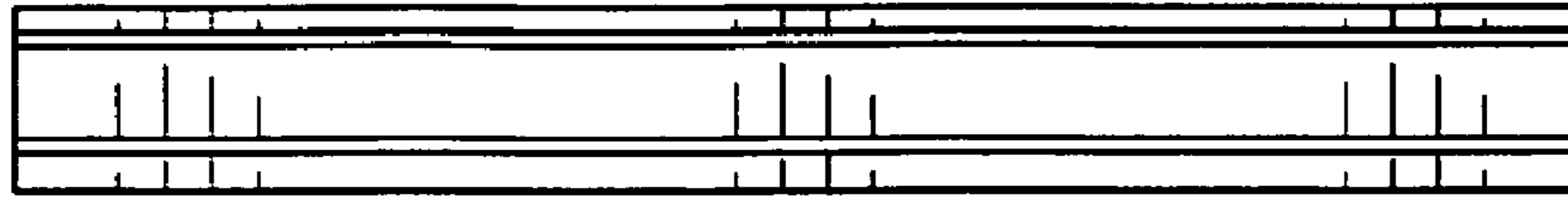


FIG. 4

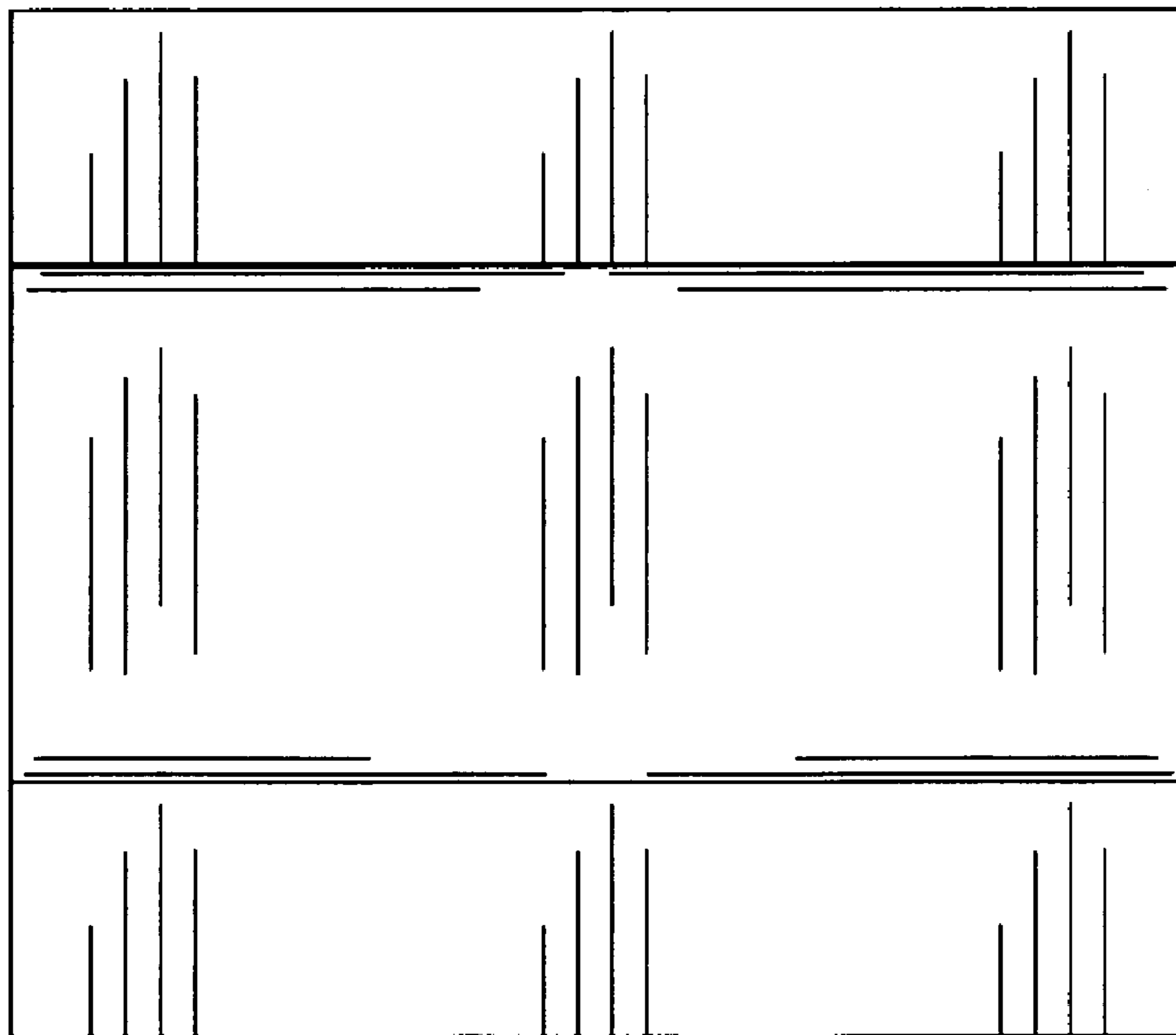


FIG. 5

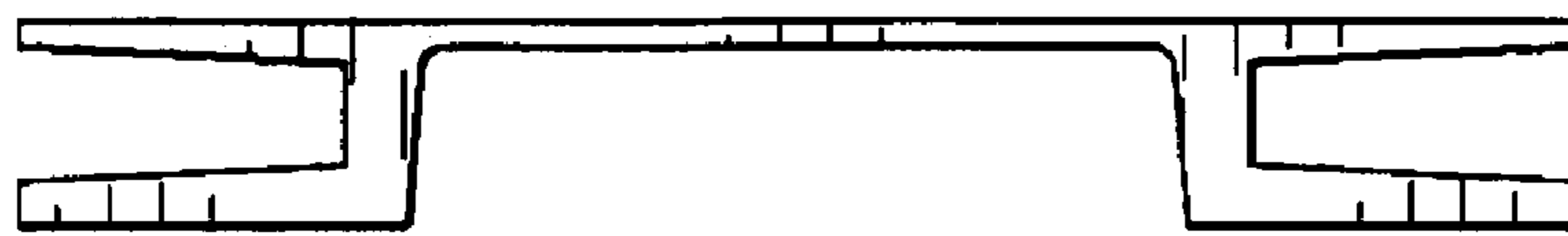


FIG. 6

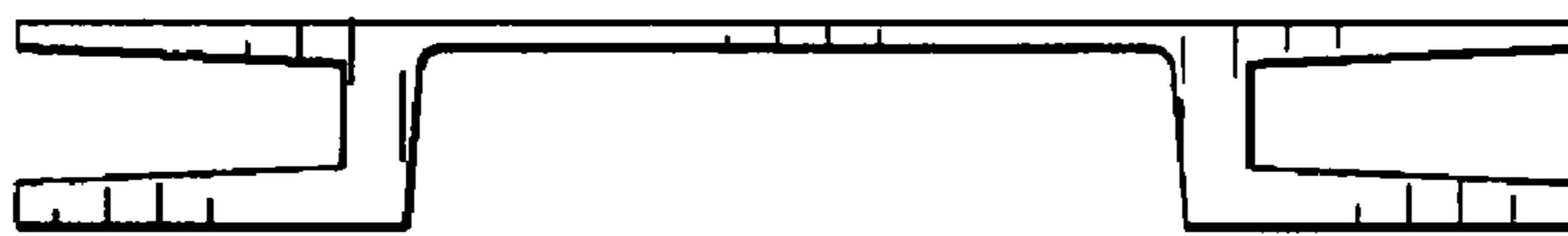


FIG. 7