



US00D654186S

(12) **United States Design Patent**
Park et al.

(10) **Patent No.:** **US D654,186 S**
(45) **Date of Patent:** **** Feb. 14, 2012**

(54) **NEEDLE TRAY**

(75) Inventors: **Dean A. Park**, Boise, ID (US); **Clinton Scott McCutcheon**, Boise, ID (US); **Anthony J. Senn**, Nampa, ID (US)

(73) Assignee: **Biomark, Inc.**, Boise, ID (US)

(**) Term: **14 Years**

(21) Appl. No.: **29/354,840**

(22) Filed: **Jan. 29, 2010**

(51) **LOC (9) Cl.** **24-02**

(52) **U.S. Cl.** **D24/227**

(58) **Field of Classification Search** D24/108,
D24/127-130, 216, 224, 227-232; 206/446,
206/443; 211/74, 70.1, 72; 220/519; 356/246,
356/244; 422/102, 104, 63-64, 250, 266,
422/297, 300, 476, 99

See application file for complete search history.

(56) **References Cited**

U.S. PATENT DOCUMENTS

2,557,420	A	6/1951	Elliot	
D265,126	S *	6/1982	Beall	D24/230
D271,239	S	11/1983	Lemieux	
D283,162	S *	3/1986	Godsey	D24/226
D284,700	S *	7/1986	Mehra et al.	D24/229
4,772,418	A	9/1988	Leoncavallo	
4,973,315	A	11/1990	Sincock	
5,047,019	A	9/1991	Sincock	
D323,400	S	1/1992	Frenkel	
D332,664	S	1/1993	Sincock	
5,190,169	A	3/1993	Sincock	
D334,973	S *	4/1993	Valentine et al.	D24/227
D337,165	S	7/1993	Malinoff	
D337,830	S *	7/1993	Coyne et al.	D24/229
D349,773	S *	8/1994	Malin et al.	D24/224

D381,085	S	7/1997	Fekete	
D414,271	S *	9/1999	Mendoza	D24/224
D420,743	S *	2/2000	Monks	D24/224
6,426,047	B1	7/2002	Hamel	
D461,554	S *	8/2002	Lafond et al.	D24/230
D466,219	S	11/2002	Wynschenk	
D506,833	S *	6/2005	Wescott, III	D24/230
D529,622	S	10/2006	Hadjis	
D533,948	S *	12/2006	Schaub et al.	D24/229
D562,463	S *	2/2008	Berndt et al.	D24/226
D595,423	S *	6/2009	Johansson et al.	D24/229
D598,127	S *	8/2009	Lea	D24/227
D598,128	S *	8/2009	Pihl et al.	D24/227
D601,713	S *	10/2009	Lohn et al.	D24/226
D610,265	S *	2/2010	Lea	D24/227
D620,605	S *	7/2010	Reitze	D24/227

(Continued)

Primary Examiner — T. Chase Nelson

Assistant Examiner — Mark Cavanna

(74) *Attorney, Agent, or Firm* — Buchanan Nipper

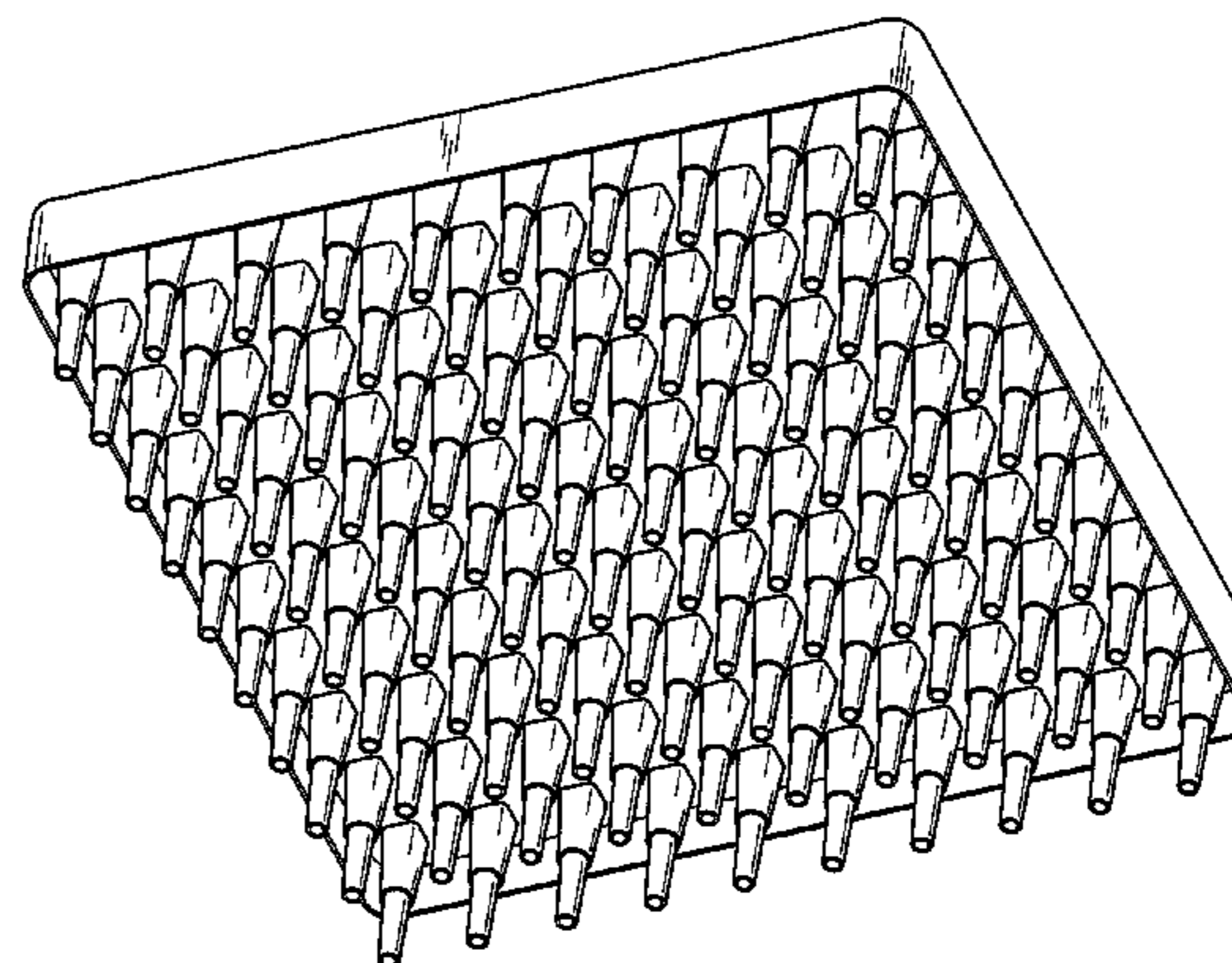
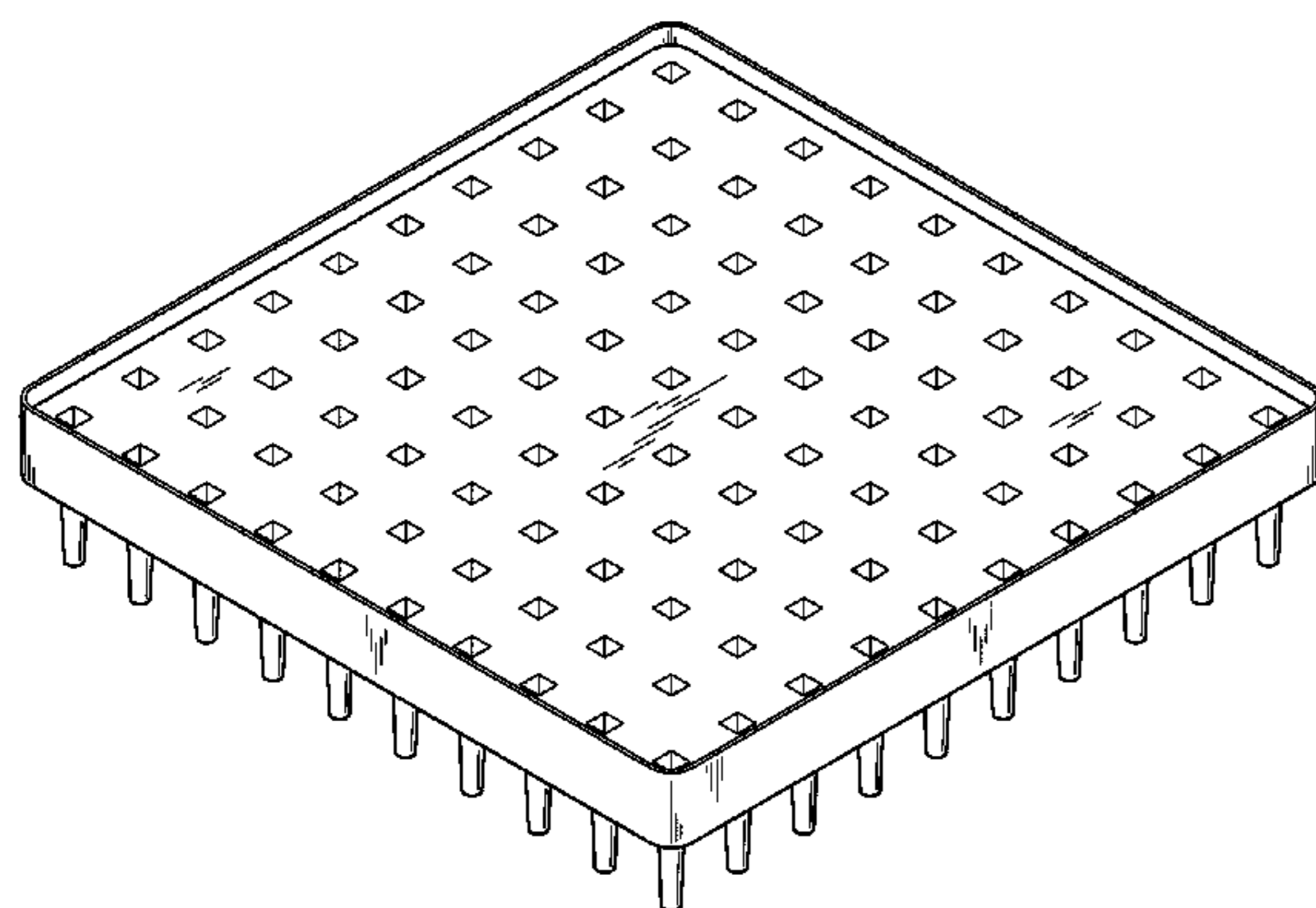
(57) **CLAIM**

The ornamental design for a needle tray, as shown and described.

DESCRIPTION

FIG. 1 is a top perspective representational view of the needle tray;
FIG. 2 is a bottom perspective representational view of the needle tray;
FIG. 3 is a top plan view of the needle tray;
FIG. 4 is a first side view of the needle tray;
FIG. 5 is a first end view of the needle tray;
FIG. 6 is a bottom plan view of the needle tray;
FIG. 7 is a second side view of the needle tray; and,
FIG. 8 is a second end view of the needle tray.

1 Claim, 4 Drawing Sheets



US D654,186 S

Page 2

U.S. PATENT DOCUMENTS

D628,305 S *	11/2010	Gorrec et al.	D24/229	D638,137 S *	5/2011	Gross et al.	D24/227
D631,557 S *	1/2011	Tajima et al.	D24/229	D638,138 S *	5/2011	Wong	D24/227
D632,404 S *	2/2011	Karpiloff	D24/230	D639,447 S *	6/2011	Karpiloff	D24/230
D636,894 S *	4/2011	Tomes et al.	D24/227	D645,156 S *	9/2011	Reitze	D24/227

* cited by examiner

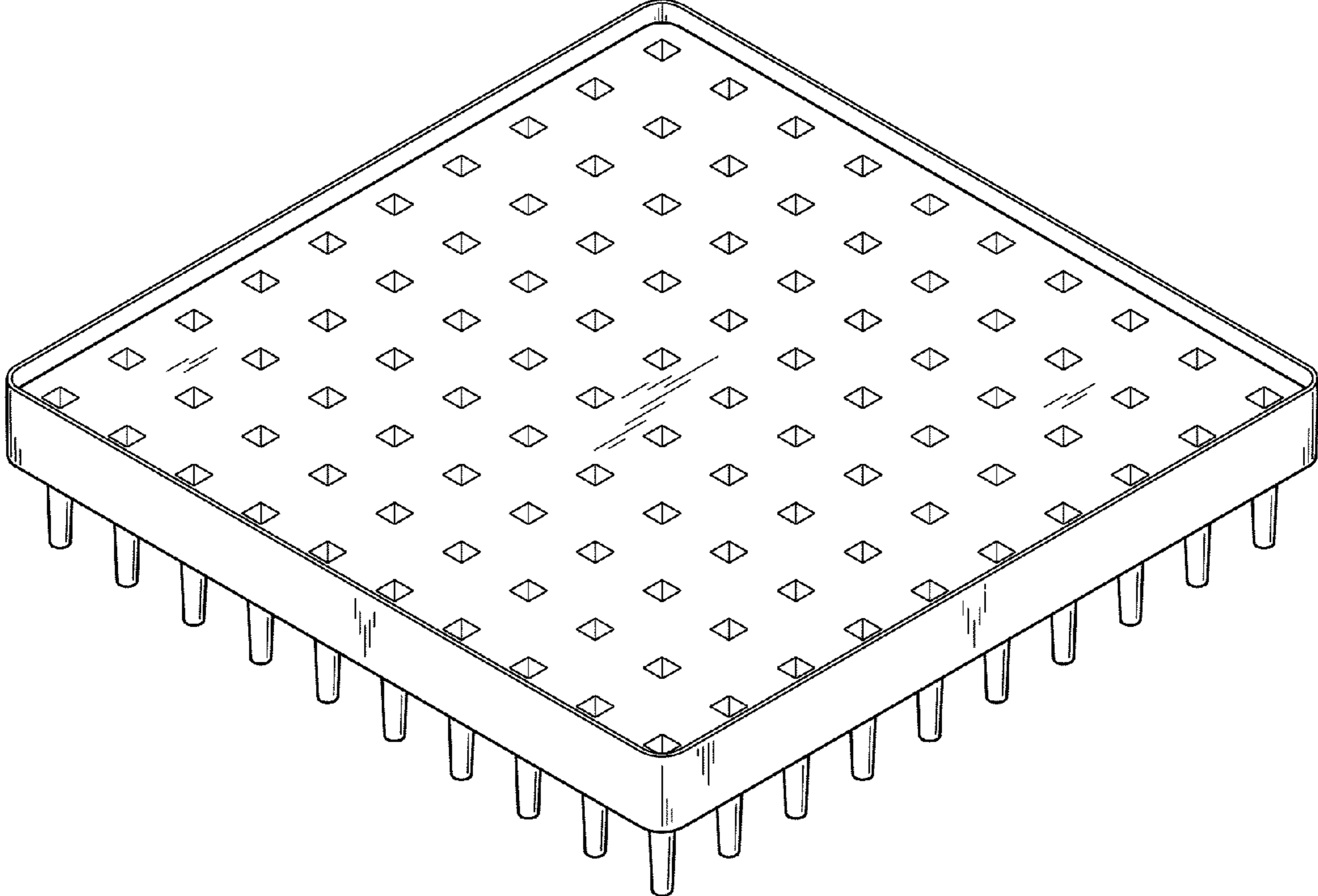


FIG. 1

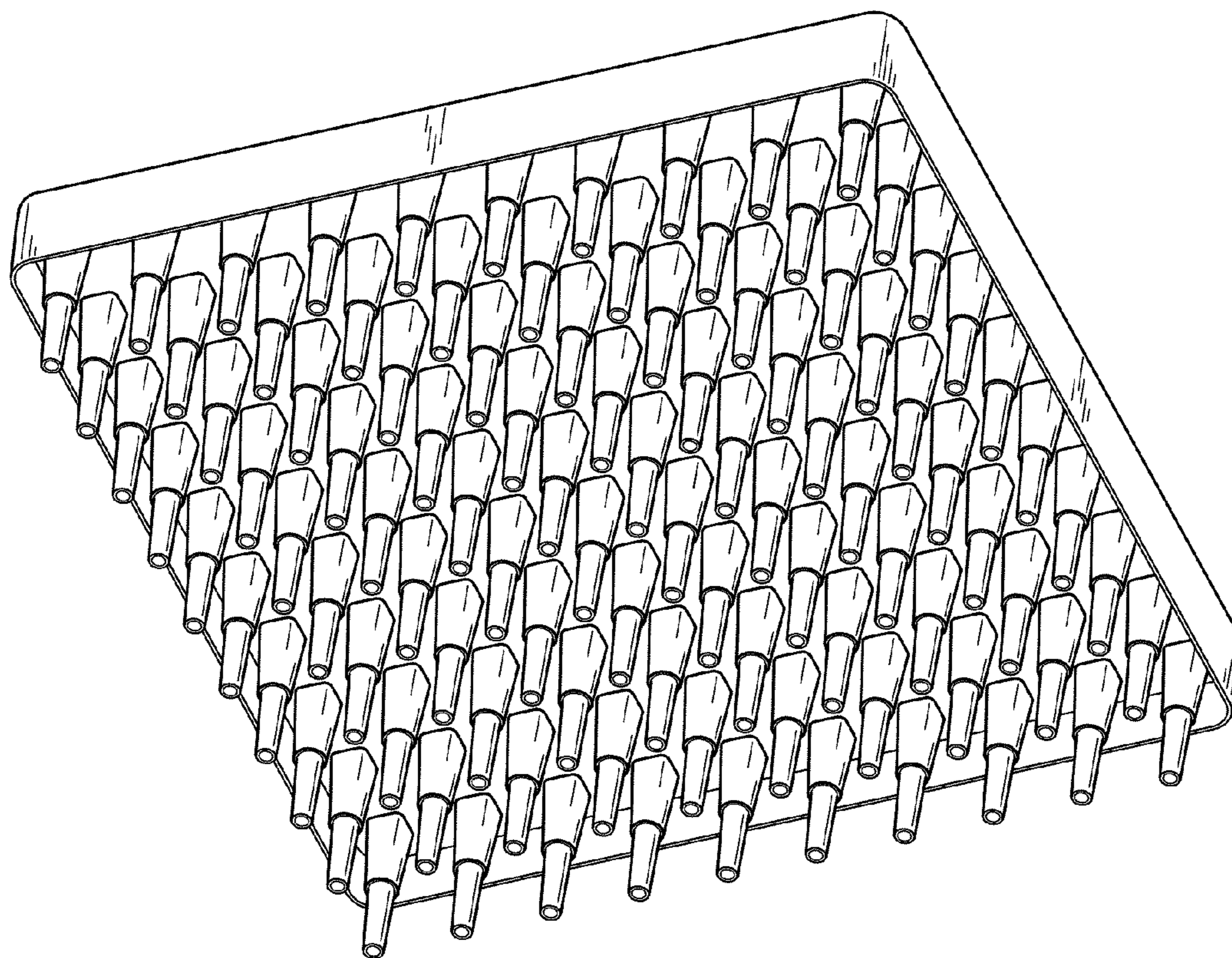


FIG. 2

FIG. 4

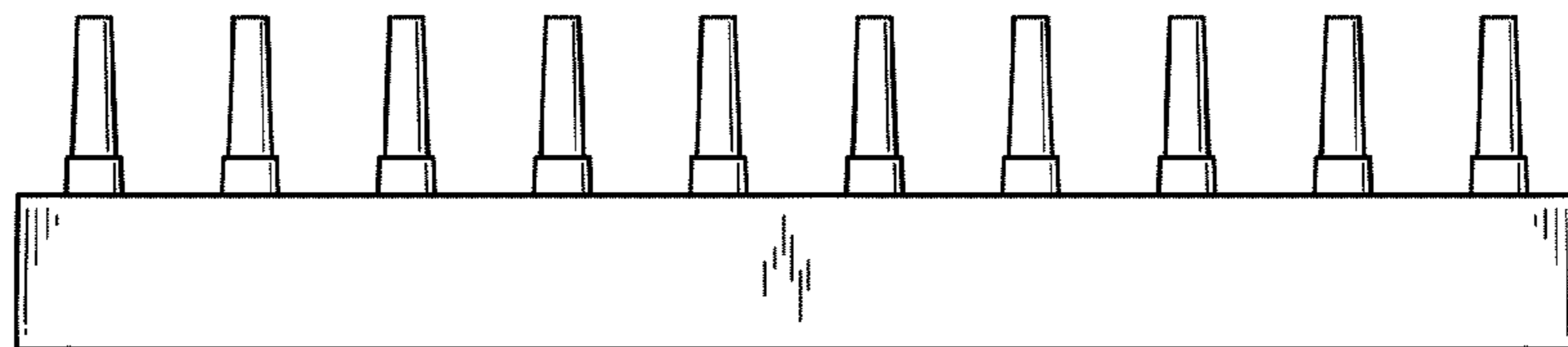


FIG. 3

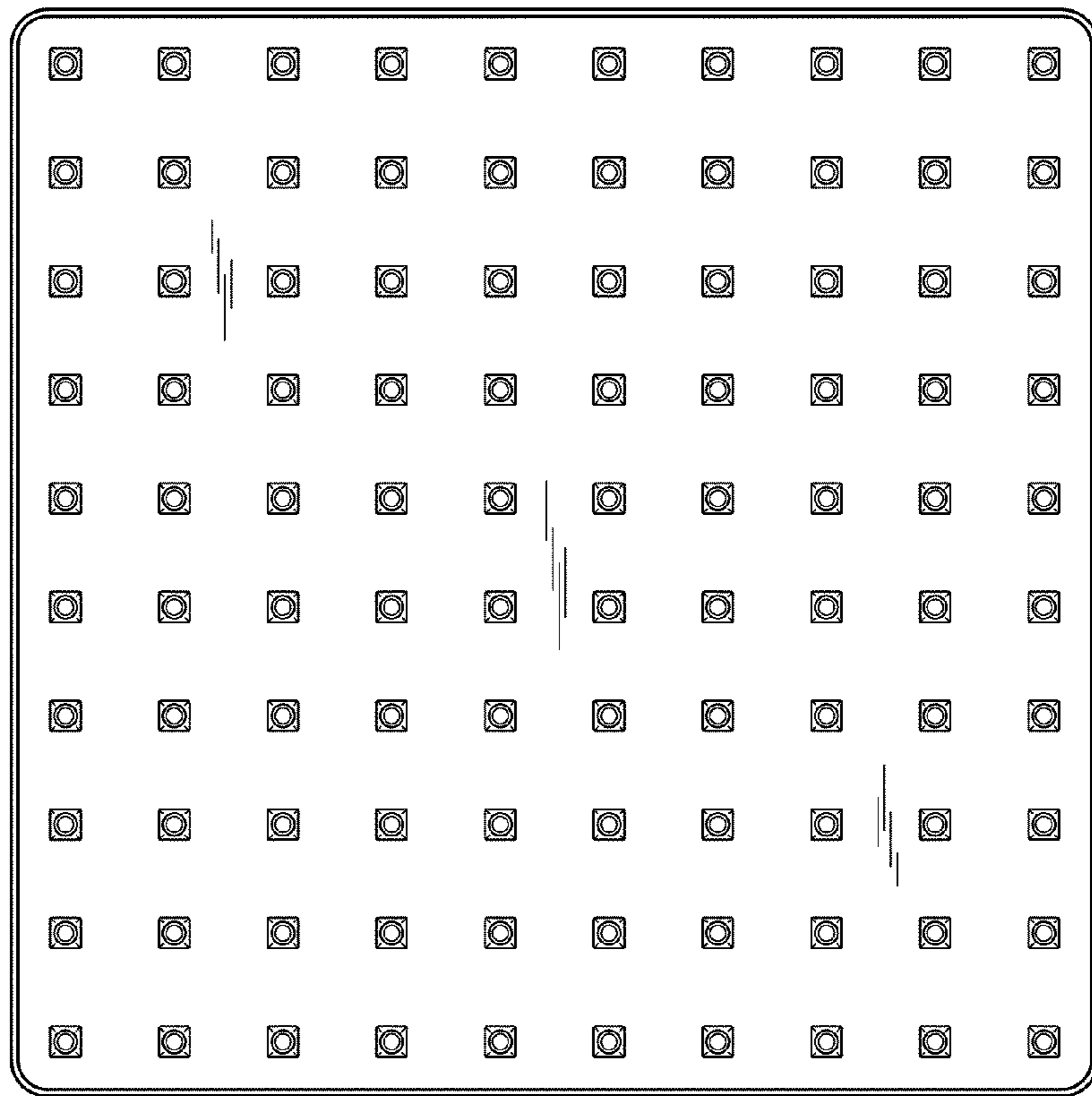
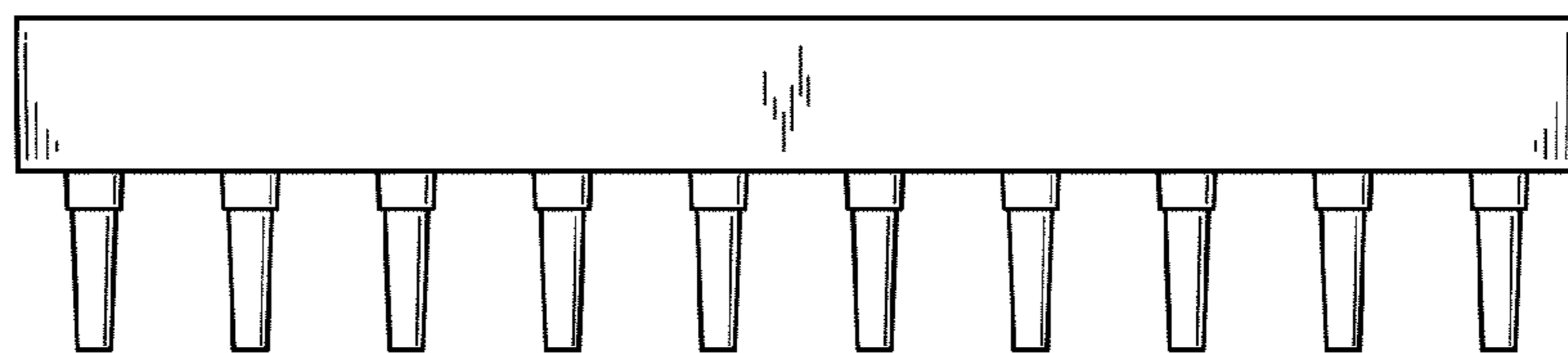


FIG. 5



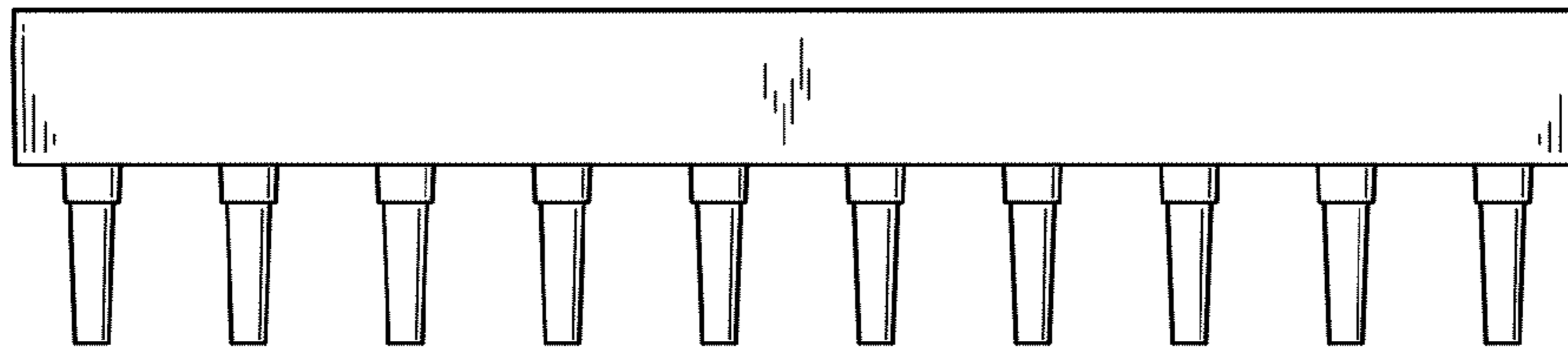


FIG. 8

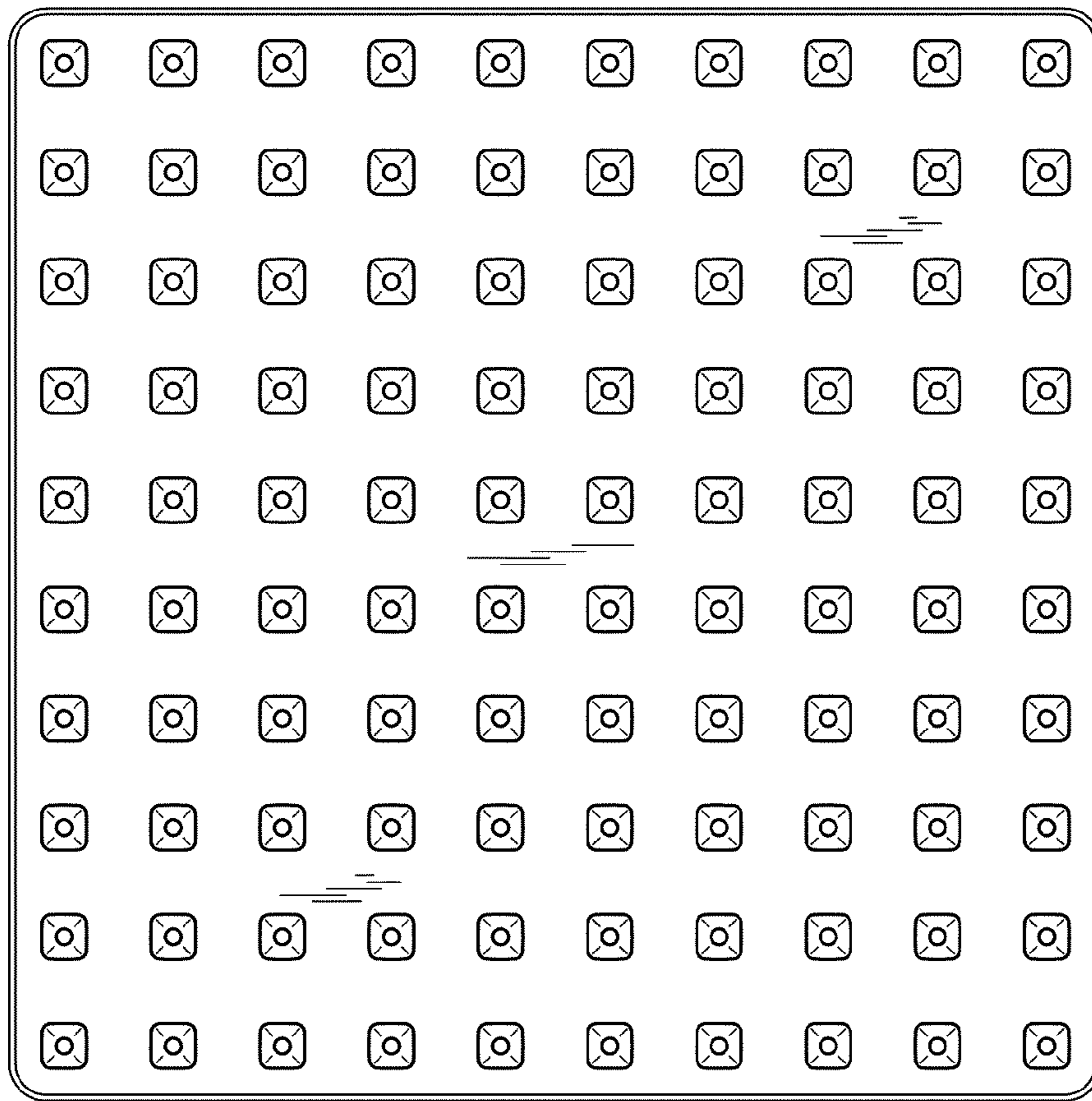


FIG. 6

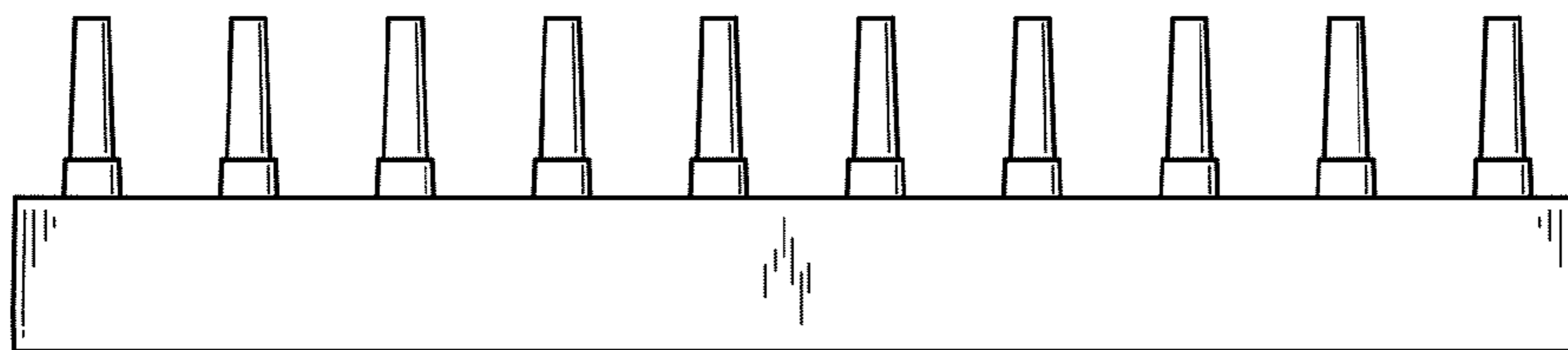


FIG. 7