



US00D654180S

(12) **United States Design Patent**
Weaver, II

(10) **Patent No.:** **US D654,180 S**

(45) **Date of Patent:** **** Feb. 14, 2012**

(54) **BACK BRACE**

(75) **Inventor:** **Edward L. Weaver, II**, Milford, OH
(US)

(73) **Assignee:** **3M Innovative Properties Company**,
St. Paul, MN (US)

(**) **Term:** **14 Years**

(21) **Appl. No.:** **29/380,402**

(22) **Filed:** **Dec. 3, 2010**

(51) **LOC (9) Cl.** **24-01**

(52) **U.S. Cl.** **D24/190**

(58) **Field of Classification Search** D24/188-190,
D24/200, 206; D29/100, 101.1, 101.3, 101.5;
D2/624, 627, 629, 634, 635; 602/5, 13, 19,
602/20, 36; 450/155; 2/44-45, 300, 338,
2/463-465; D21/662, 683; 482/1, 4, 112,
482/121, 124, 148

See application file for complete search history.

(56) **References Cited**

U.S. PATENT DOCUMENTS

1,831,472	A *	11/1931	Abramowitz	441/113
1,974,283	A *	9/1934	Kendrick	602/19
2,681,453	A *	6/1954	Lane	2/322
2,733,712	A *	2/1956	Wuesthoff	602/19
D243,037	S *	1/1977	Spiro	D24/190
4,135,503	A *	1/1979	Romano	602/13

4,159,020	A *	6/1979	von Soiron et al.	601/1
4,794,916	A *	1/1989	Porterfield et al.	602/19
D352,114	S *	11/1994	Nicholson	D24/190
5,388,274	A *	2/1995	Glover et al.	2/338
5,651,763	A *	7/1997	Gates	602/19
6,213,968	B1 *	4/2001	Heinz et al.	602/19
D496,108	S *	9/2004	Machin et al.	D24/206
D498,036	S *	11/2004	Newman	D2/627
D504,727	S *	5/2005	Schirmacher et al.	D24/206
D518,895	S *	4/2006	Weaver et al.	D24/190
7,083,585	B2 *	8/2006	Latham	602/19
D627,078	S *	11/2010	Matsuo et al.	D24/206

* cited by examiner

Primary Examiner — Susan E Krakower

(74) *Attorney, Agent, or Firm* — Lisa P. Fulton

(57) **CLAIM**

The ornamental design for a back brace, as shown and described.

DESCRIPTION

FIG. 1 is a perspective view of a back brace showing the new design;

FIG. 2 is a front view thereof;

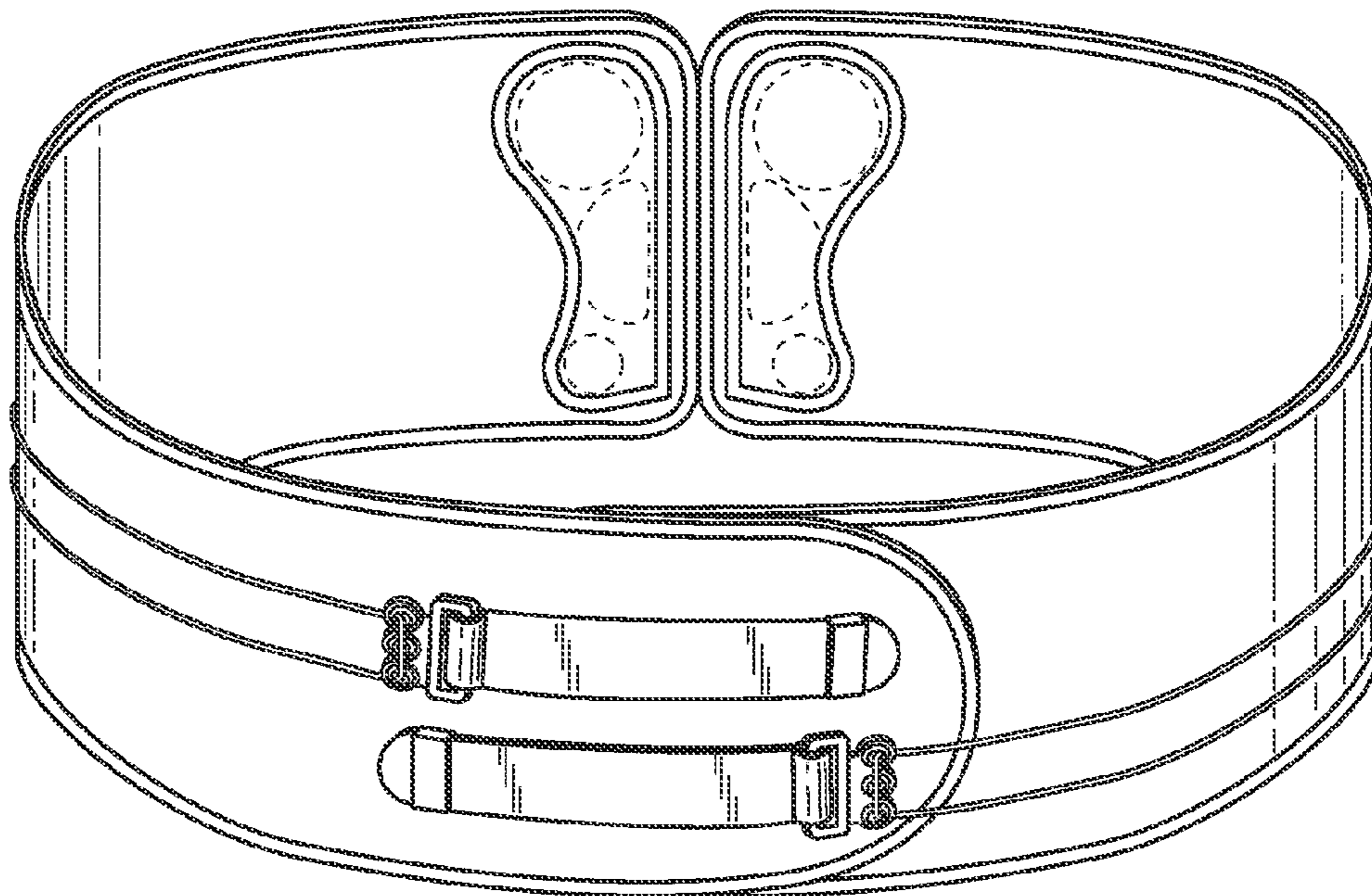
FIG. 3 is a side view thereof;

FIG. 4 is a side view thereof; and,

FIG. 5 is a back view thereof.

The broken lines showing protruding back elements and back laces illustrate portions of the back brace which form no part of the claimed design.

1 Claim, 2 Drawing Sheets



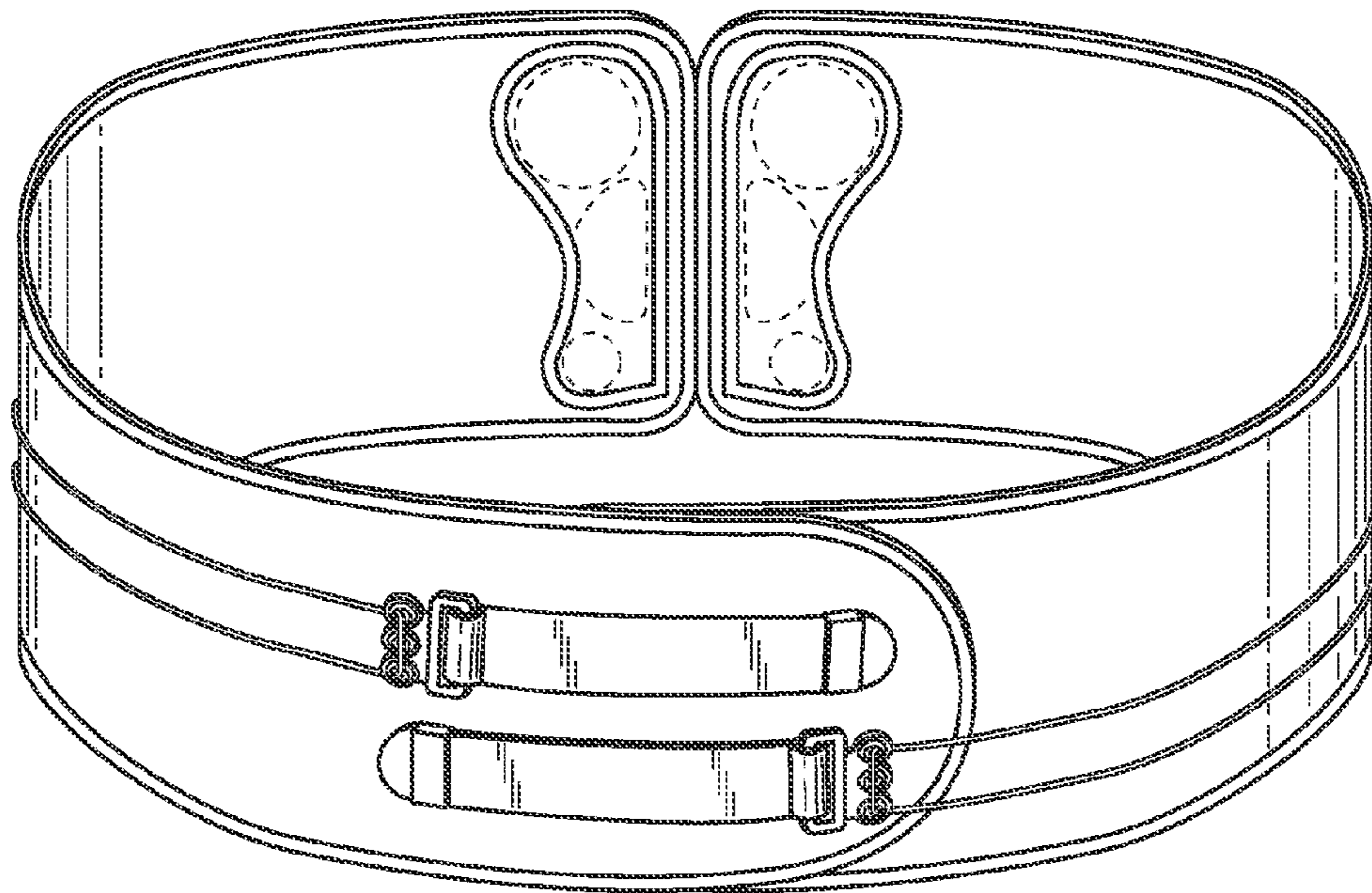


Fig. 1

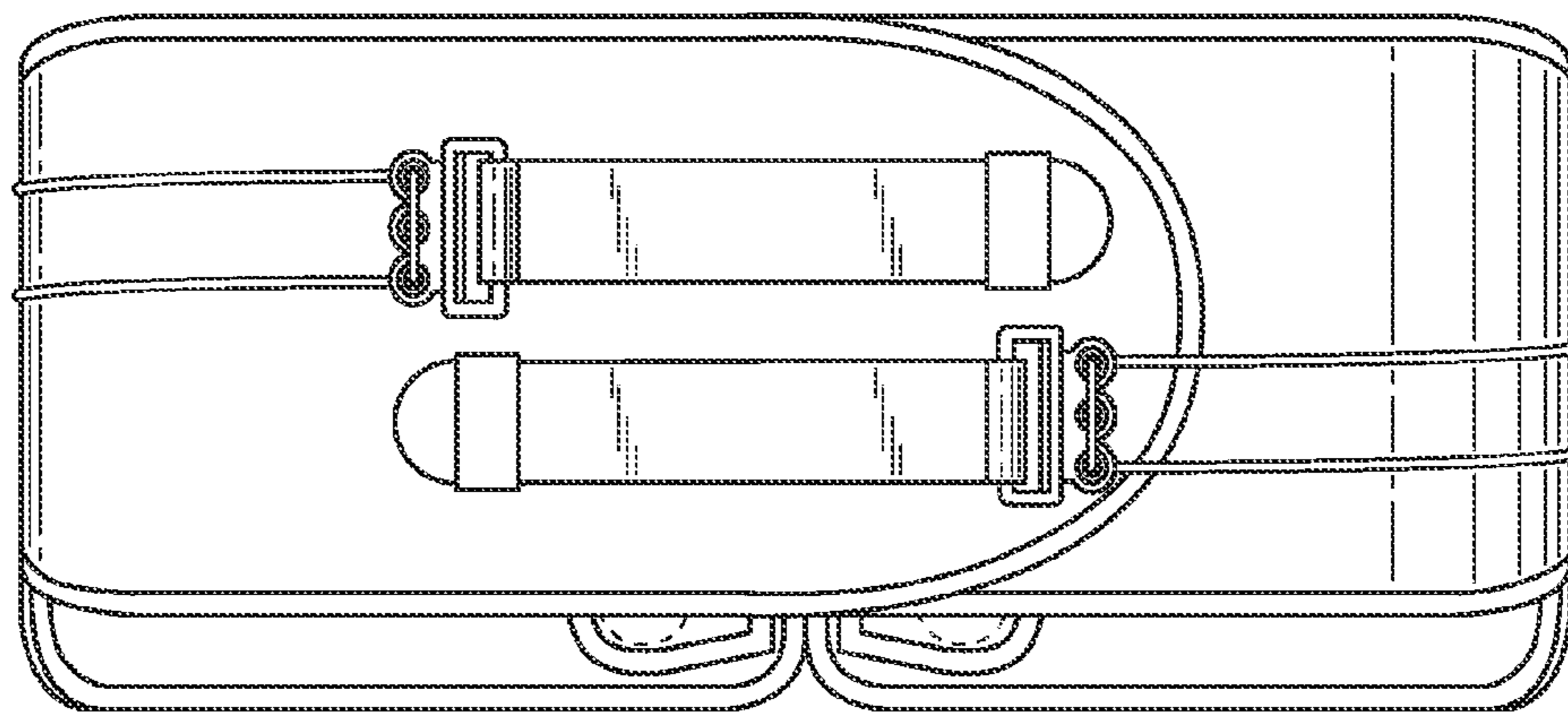


Fig. 2

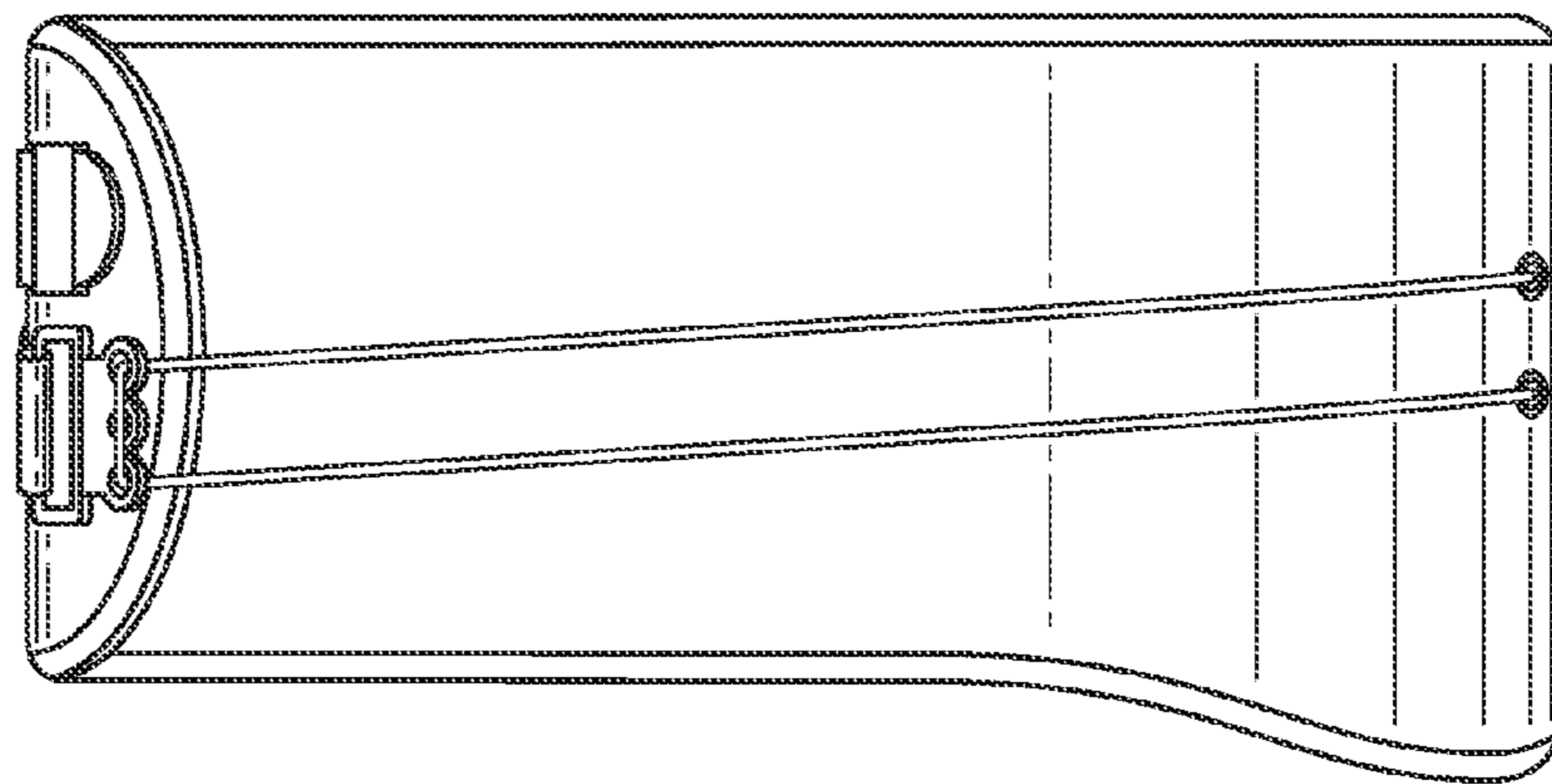


Fig. 3

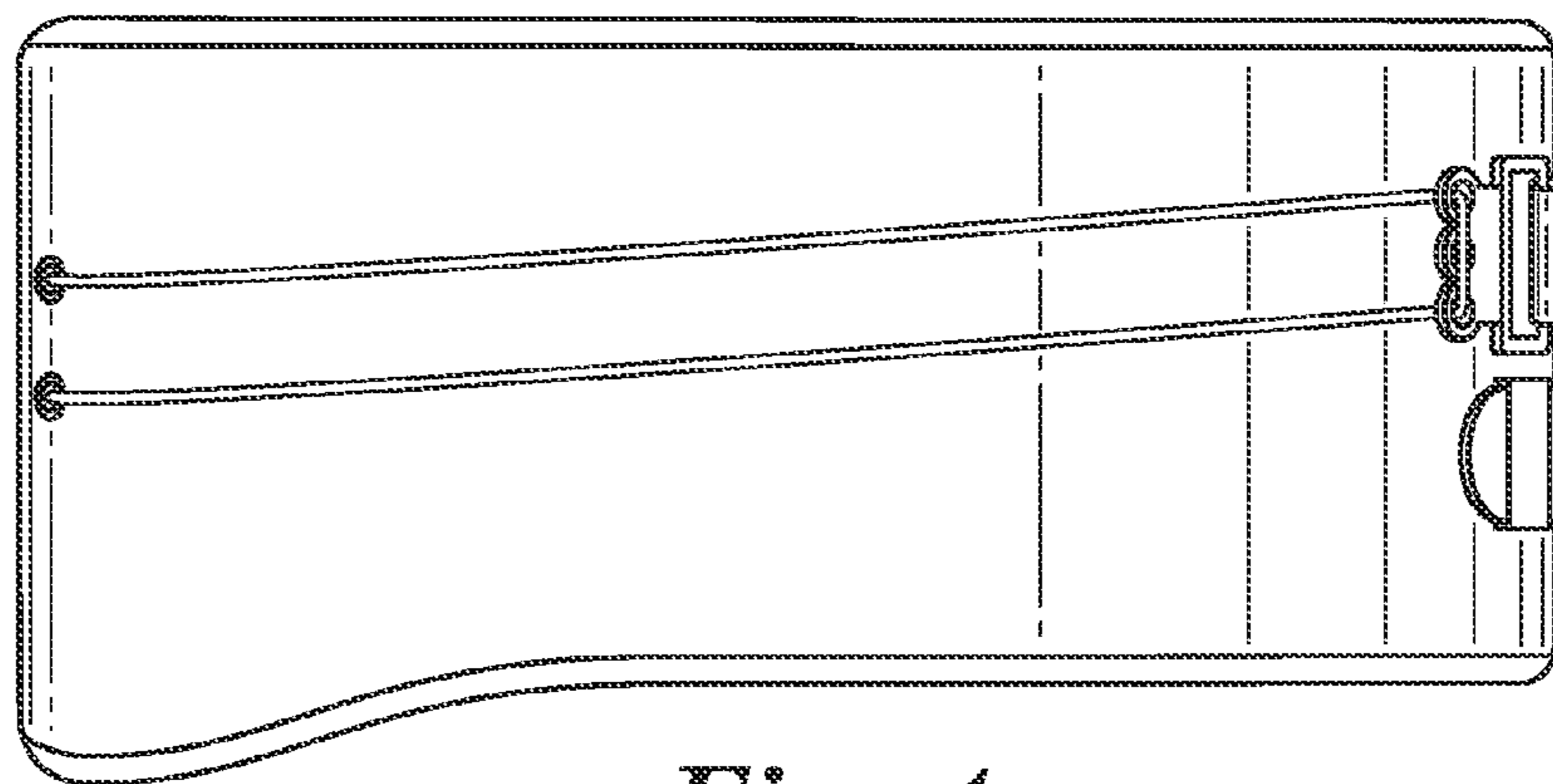


Fig. 4

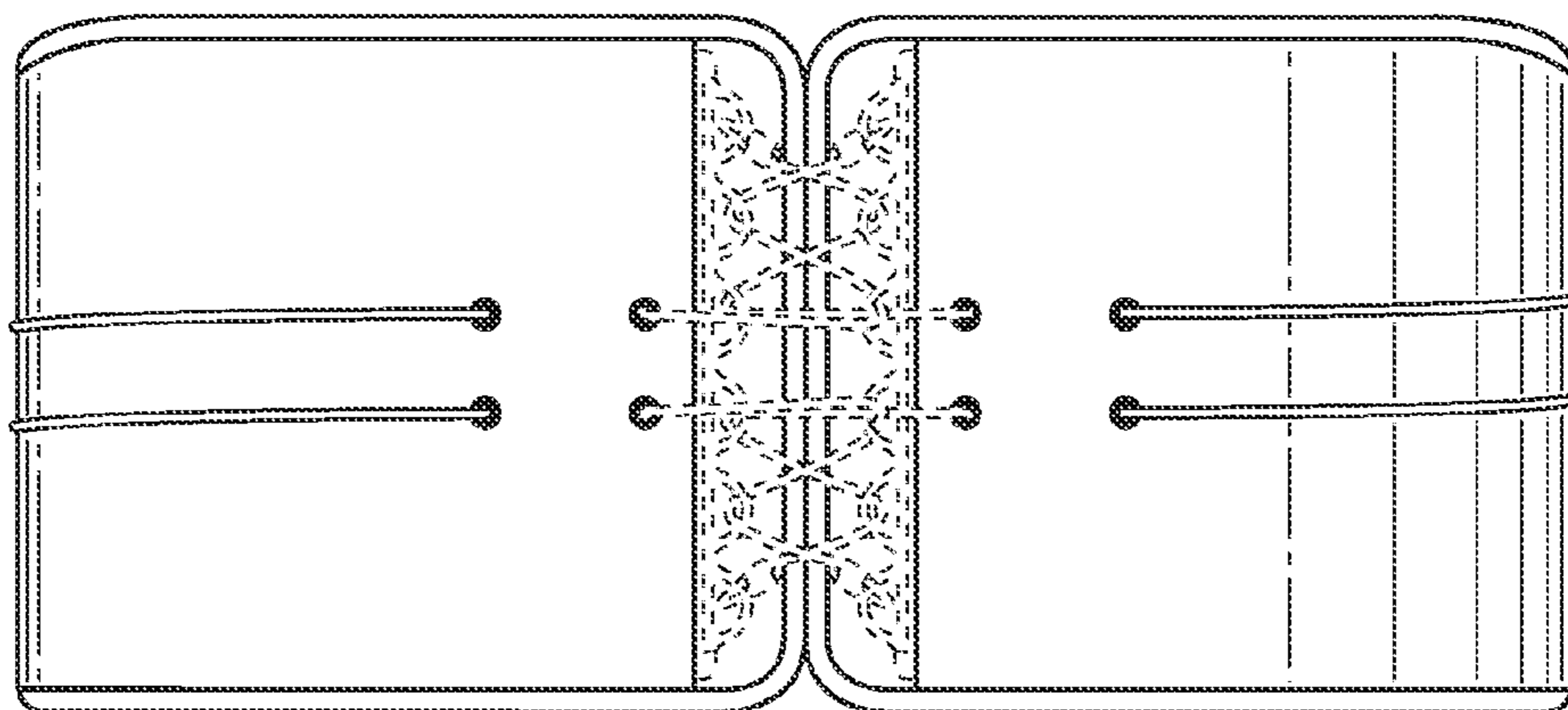


Fig. 5