



US00D654179S

(12) **United States Design Patent**
Bedingham et al.

(10) **Patent No.:** **US D654,179 S**

(45) **Date of Patent:** **** *Feb. 14, 2012**

- (54) **MULTIFUNCTIONAL MEDICAL DEVICE FOR TELEMEDICINE APPLICATIONS**
 - (75) Inventors: **William Bedingham**, Woodbury, MN (US); **Bernard A. Gonzalez**, St. Paul, MN (US)
 - (73) Assignee: **3M Innovative Properties Company**, St. Paul, MN (US)
 - (*) Notice: This patent is subject to a terminal disclaimer.
 - (**) Term: **14 Years**
 - (21) Appl. No.: **29/379,083**
 - (22) Filed: **Nov. 15, 2010**
 - (51) **LOC (9) Cl.** **24-01**
 - (52) **U.S. Cl.** **D24/187**
 - (58) **Field of Classification Search** D24/107, D24/134, 141, 165, 167, 186-187, 231; D10/57, D10/60, 78, 80; 600/407, 461, 459, 447; 378/98.7, 98.8, 189
- See application file for complete search history.

D553,248 S *	10/2007	Nguyen	D24/186
7,300,406 B2	11/2007	Carter		
D590,508 S *	4/2009	Tupin, Jr.	D24/186
D591,424 S *	4/2009	Costa	D24/184
D596,300 S *	7/2009	Han et al.	D24/186
D597,211 S *	7/2009	Ewing et al.	D24/187
D616,990 S *	6/2010	Suzuki	D24/186
D635,667 S	4/2011	Soerensen		
2004/0157612 A1	8/2004	Kim		
2005/0078533 A1	4/2005	Vyshedskiy		
2006/0281975 A1	12/2006	Yang		
2007/0282208 A1	12/2007	Jacobs		
2008/0114221 A1	5/2008	Tso		
2010/0204596 A1	8/2010	Knutsson		

* cited by examiner

Primary Examiner — T. Chase Nelson
Assistant Examiner — Mark Cavanna
 (74) *Attorney, Agent, or Firm* — X. Christina Huang

(57) **CLAIM**
 The ornamental design for a multifunctional medical device for telemedicine applications, as shown and described.

DESCRIPTION

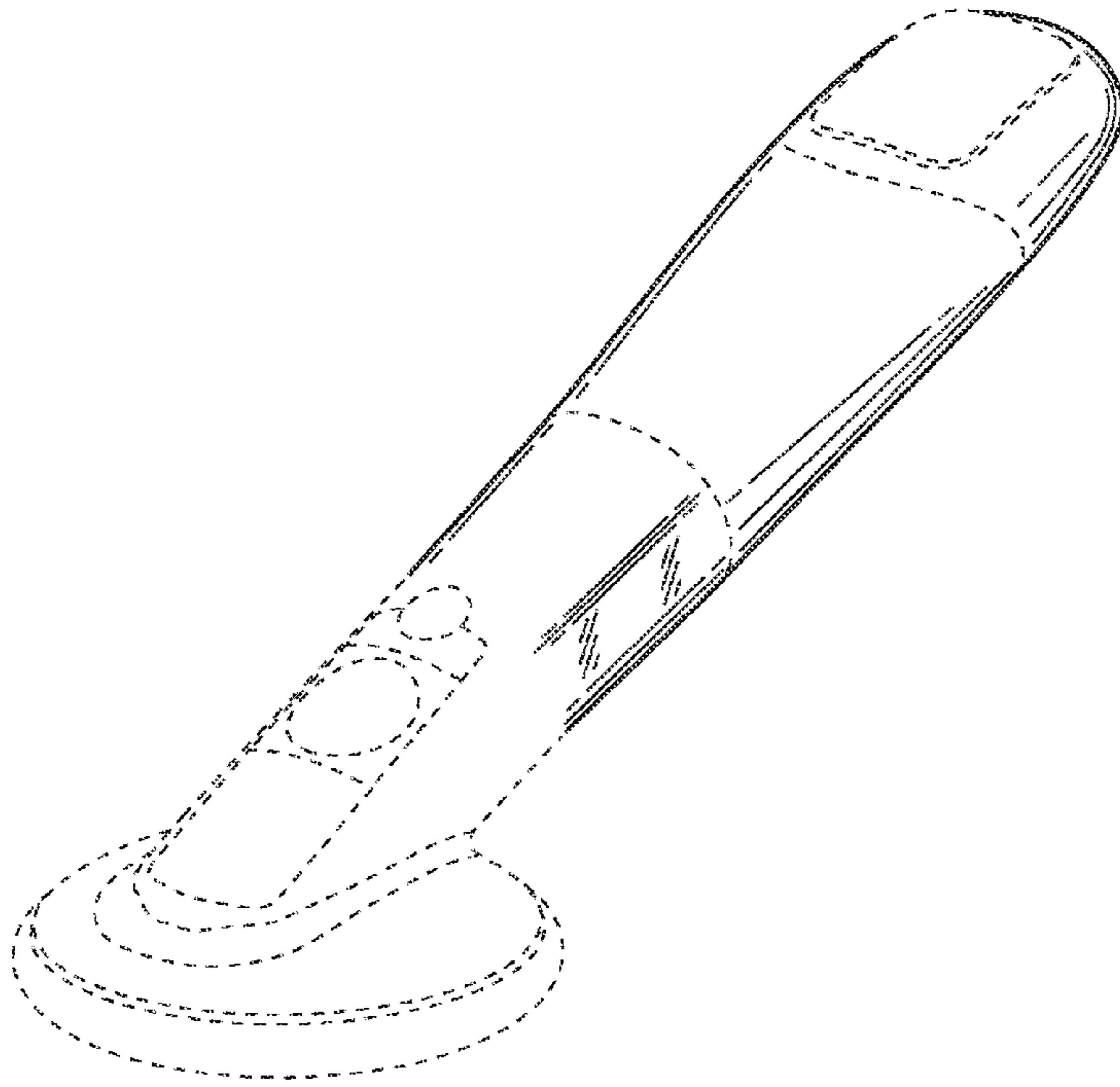
FIG. 1 is a perspective view of a new design for a multifunctional medical device for telemedicine applications; FIG. 2 is a right side elevational view thereof; and the left side elevational view being a mirror image thereof; FIG. 3 is a top plan view thereof; FIG. 4 is a bottom plan view thereof; FIG. 5 is a front elevational view thereof; and, FIG. 6 is a rear elevational view thereof.
 The broken line drawing in all figure views is for illustrative purposes only, and forms no part of the claimed design.

1 Claim, 2 Drawing Sheets

(56) **References Cited**

U.S. PATENT DOCUMENTS

D389,919 S *	1/1998	Ninomiya et al.	D24/186
D407,159 S *	3/1999	Roberg	D24/167
D445,184 S *	7/2001	Meyer	D24/134
D492,999 S *	7/2004	Lax	D24/167
6,847,334 B2	1/2005	Tso		
D525,710 S *	7/2006	Kobayashi et al.	D24/165
D527,819 S *	9/2006	Poulsen et al.	D24/134
D544,605 S *	6/2007	Gumisawa et al.	D24/186



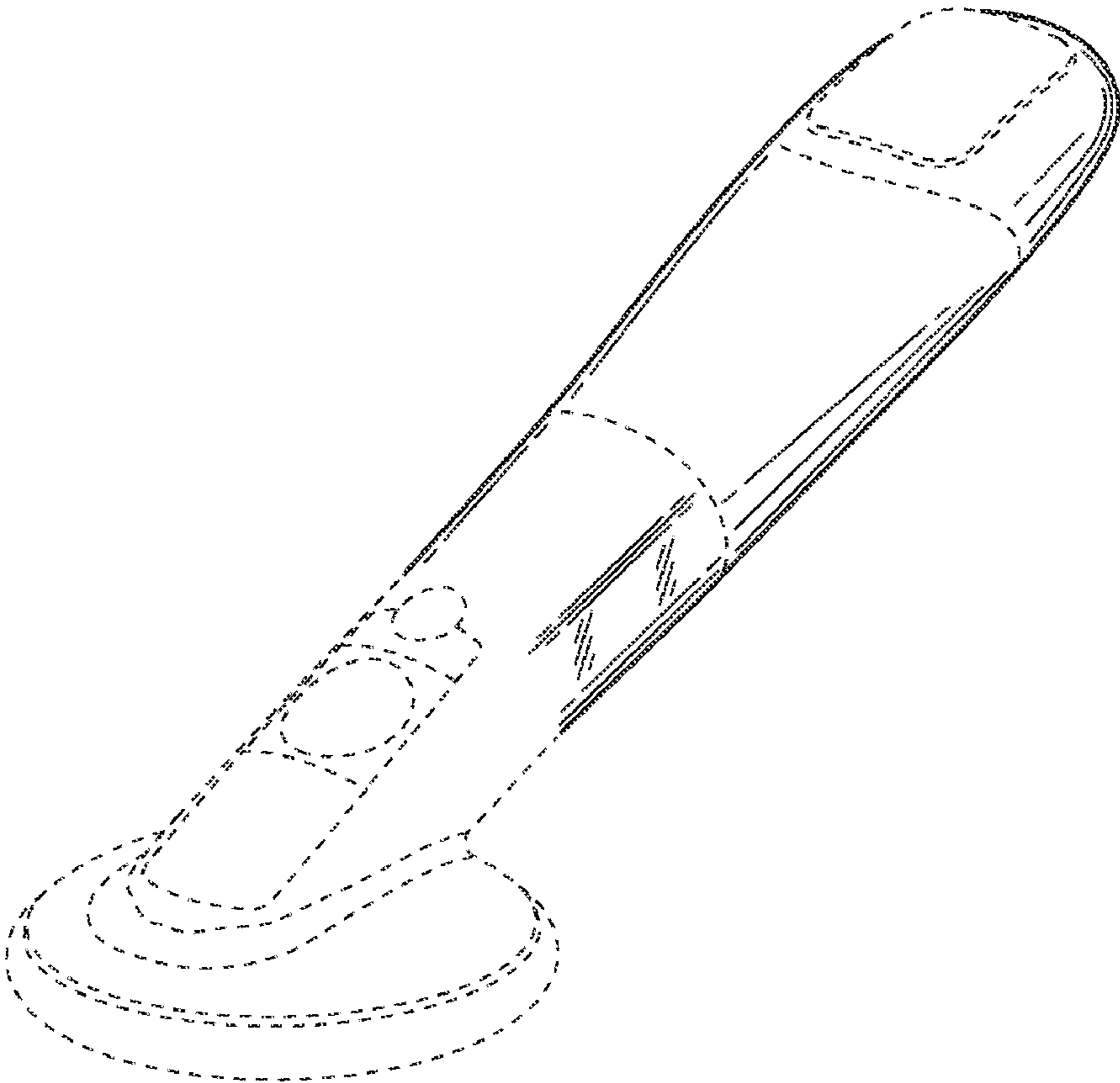


Fig. 1

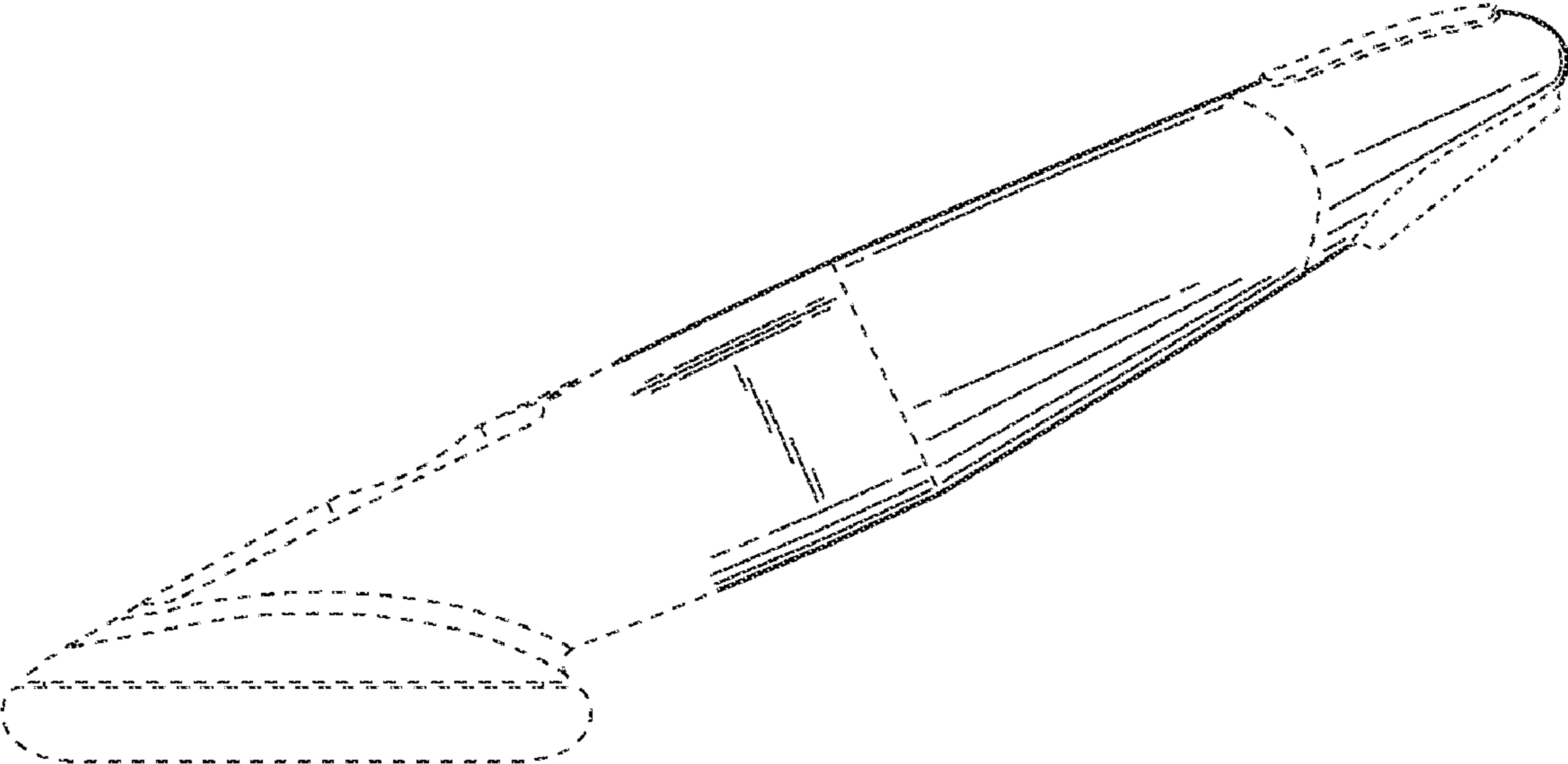


Fig. 2

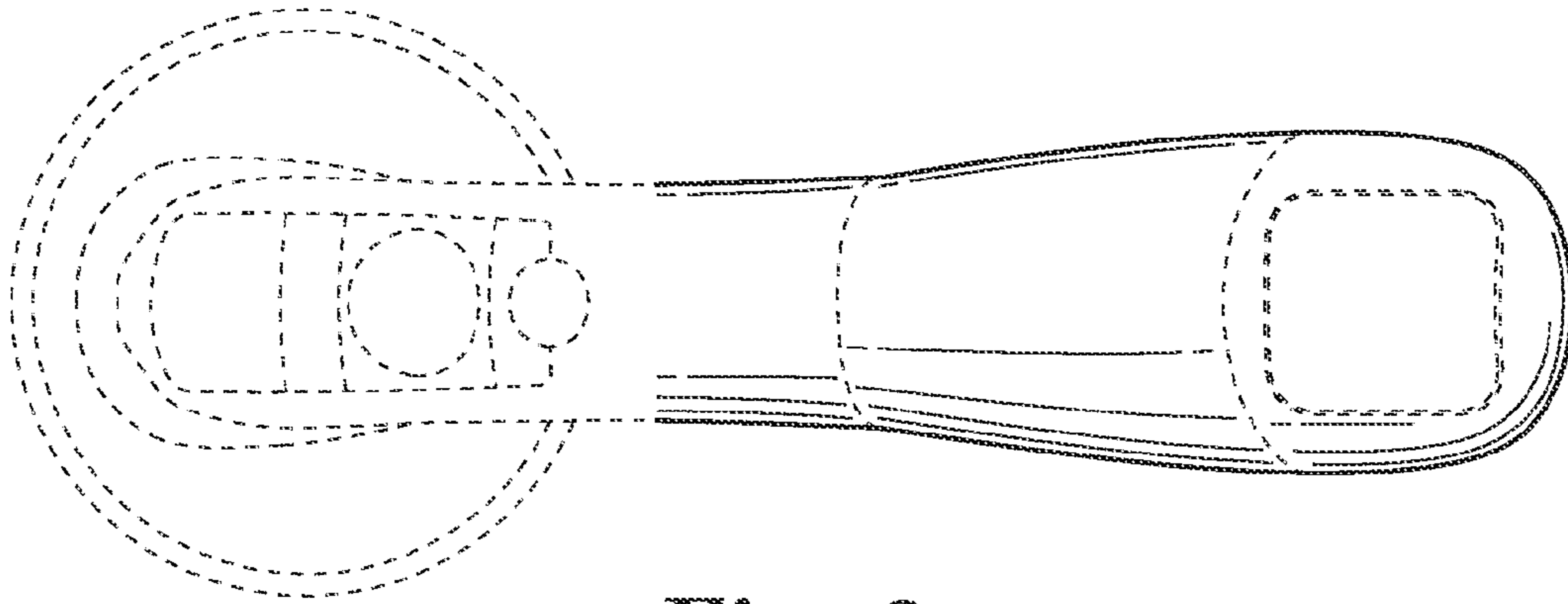


Fig. 3

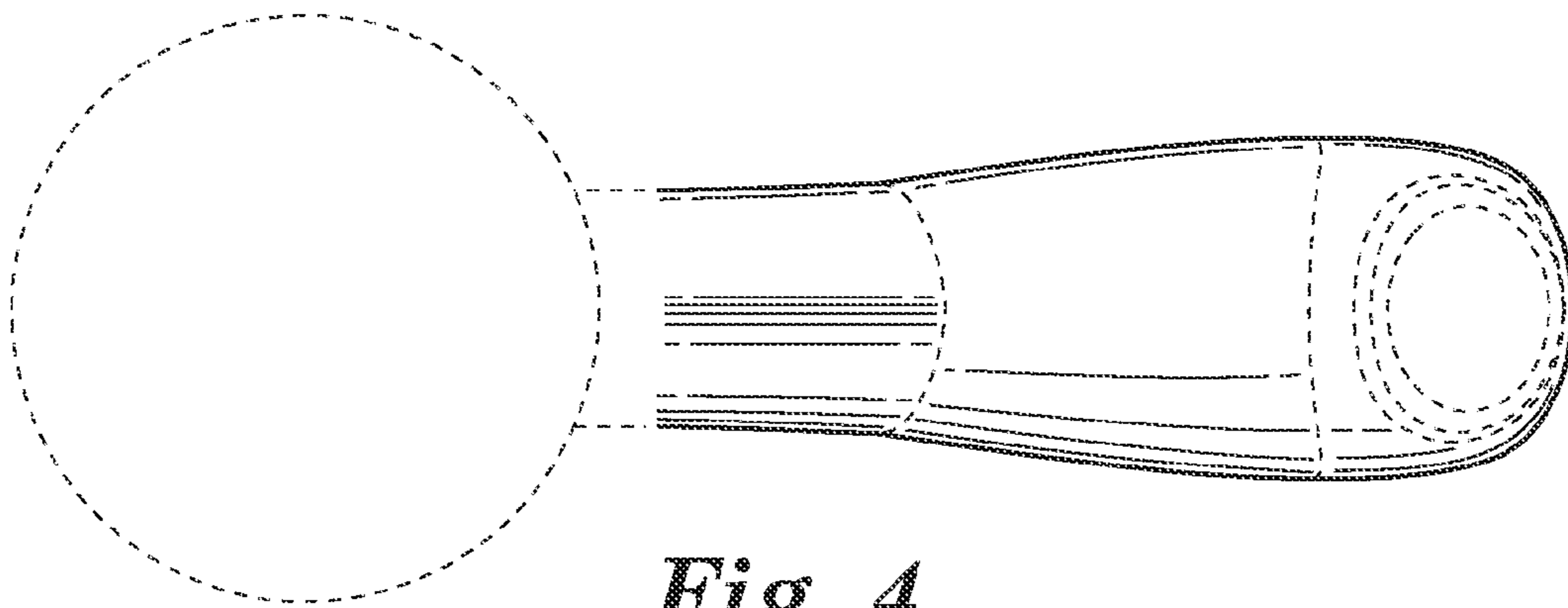


Fig. 4

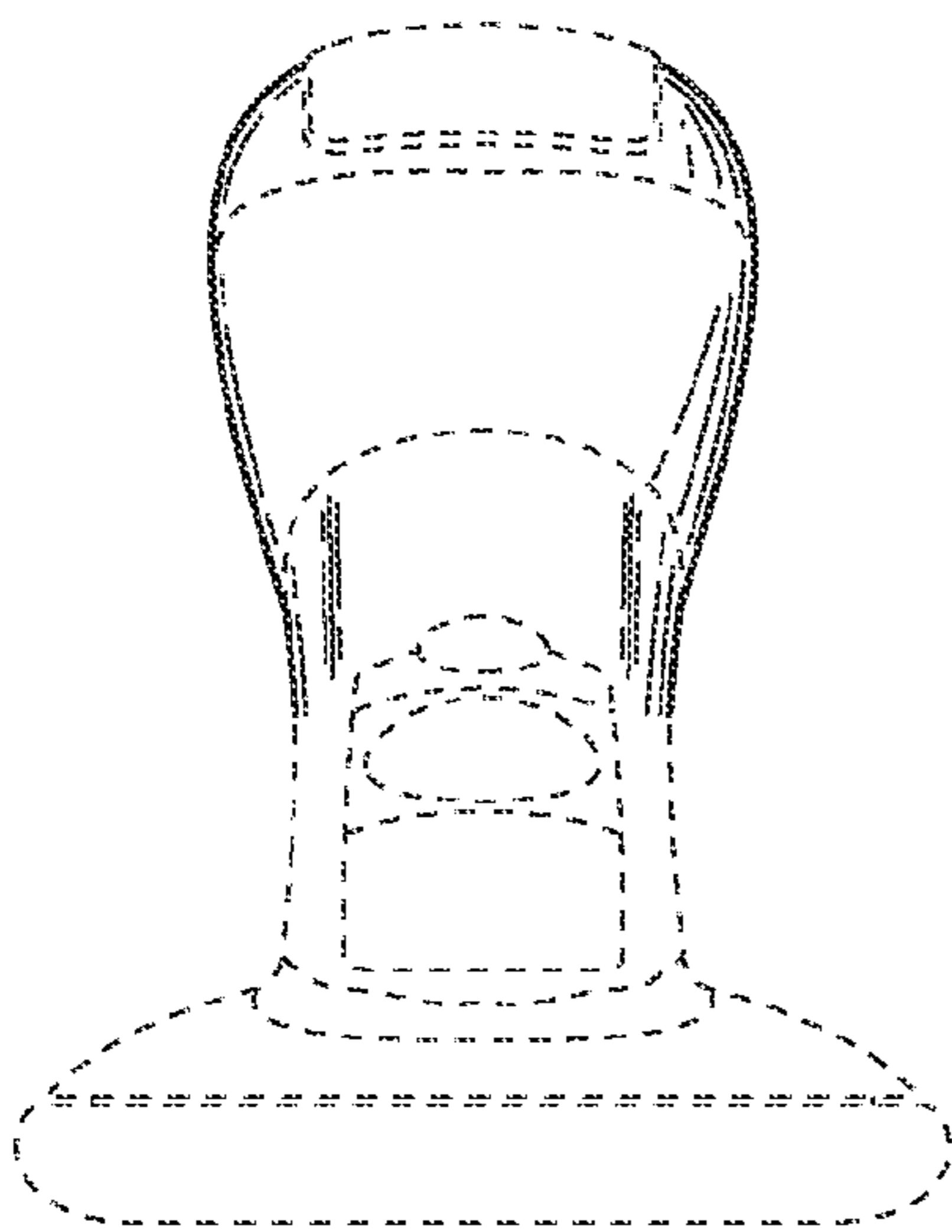


Fig. 5

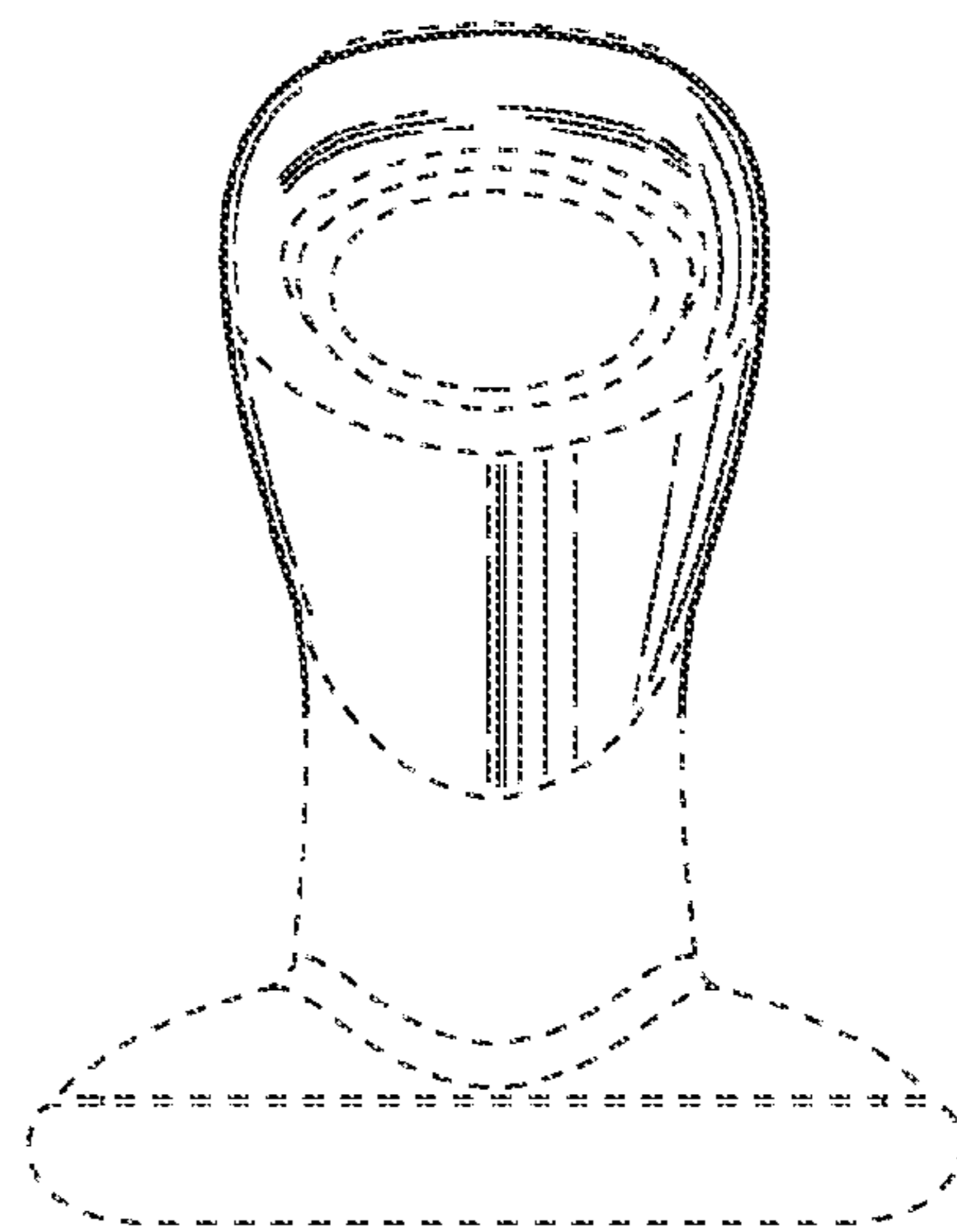


Fig. 6