



US00D654178S

(12) **United States Design Patent**
Antonio et al.

(10) **Patent No.:** **US D654,178 S**
(45) **Date of Patent:** **** Feb. 14, 2012**

(54) **TRANSMITTER POD FOR MEDICAL
ULTRASOUND MACHINE**

(75) Inventors: **Alex Antonio**, Burnaby (CA); **Laurent
Pelissier**, North Vancouver (CA)

(73) Assignee: **Ultrasonix Medical Corporation**,
Richmond, CA (US)

(**) Term: **14 Years**

(21) Appl. No.: **29/365,853**

(22) Filed: **Jul. 15, 2010**

(51) **LOC (9) Cl.** **24-02**

(52) **U.S. Cl.** **D24/187**

(58) **Field of Classification Search** D24/138,
D24/144, 155, 156, 167, 186-187, 200, 231,
D24/158; 606/70-71, 166, 246-249, 258,
606/267, 280, 286, 283, 299, 396, 903, 905-906;
607/2, 5, 36, 129; 623/17.11, 16.71; 600/13;
D8/354

See application file for complete search history.

(56) **References Cited**

U.S. PATENT DOCUMENTS

D297,663	S	*	9/1988	Bevilacqua et al.	D24/187
D327,740	S	*	7/1992	Arioka et al.	D24/186
D397,440	S	*	8/1998	Baars	D24/158
D469,182	S	*	1/2003	Choi et al.	D24/158
D492,997	S	*	7/2004	DiStasio	D24/158
D553,748	S	*	10/2007	Ogiwara	D24/158
D558,877	S	*	1/2008	Ogiwara	D24/158
D566,284	S	*	4/2008	Kitayama et al.	D24/186
D571,920	S	*	6/2008	Juliana et al.	D24/185

D585,556	S	*	1/2009	Kosaku	D24/186
D598,730	S	*	8/2009	Luo et al.	D8/354
D603,520	S	*	11/2009	Ninomiya et al.	D24/187
D609,814	S	*	2/2010	Banryu	D24/187
D627,463	S	*	11/2010	Voic et al.	D24/144
D629,525	S	*	12/2010	Ladwig et al.	D24/187
D629,526	S	*	12/2010	Ladwig et al.	D24/187
D630,756	S	*	1/2011	Kitayama	D24/187
D630,757	S	*	1/2011	Kitayama	D24/187
2005/0148808	A1	*	7/2005	Cameron et al.	600/13

* cited by examiner

Primary Examiner — T. Chase Nelson

Assistant Examiner — Mark Cavanna

(74) *Attorney, Agent, or Firm* — Oyen Wiggs Green & Mutala LLP

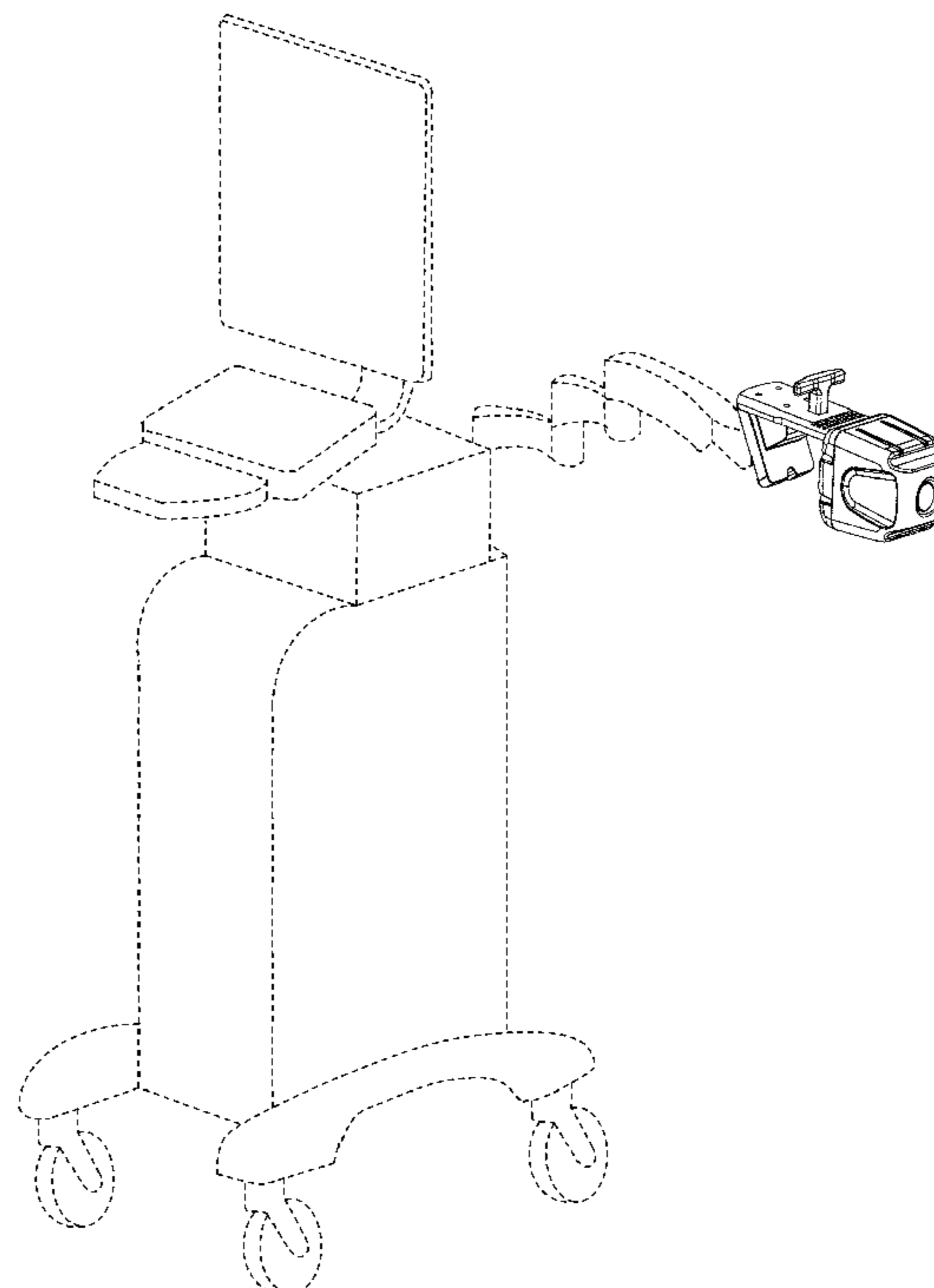
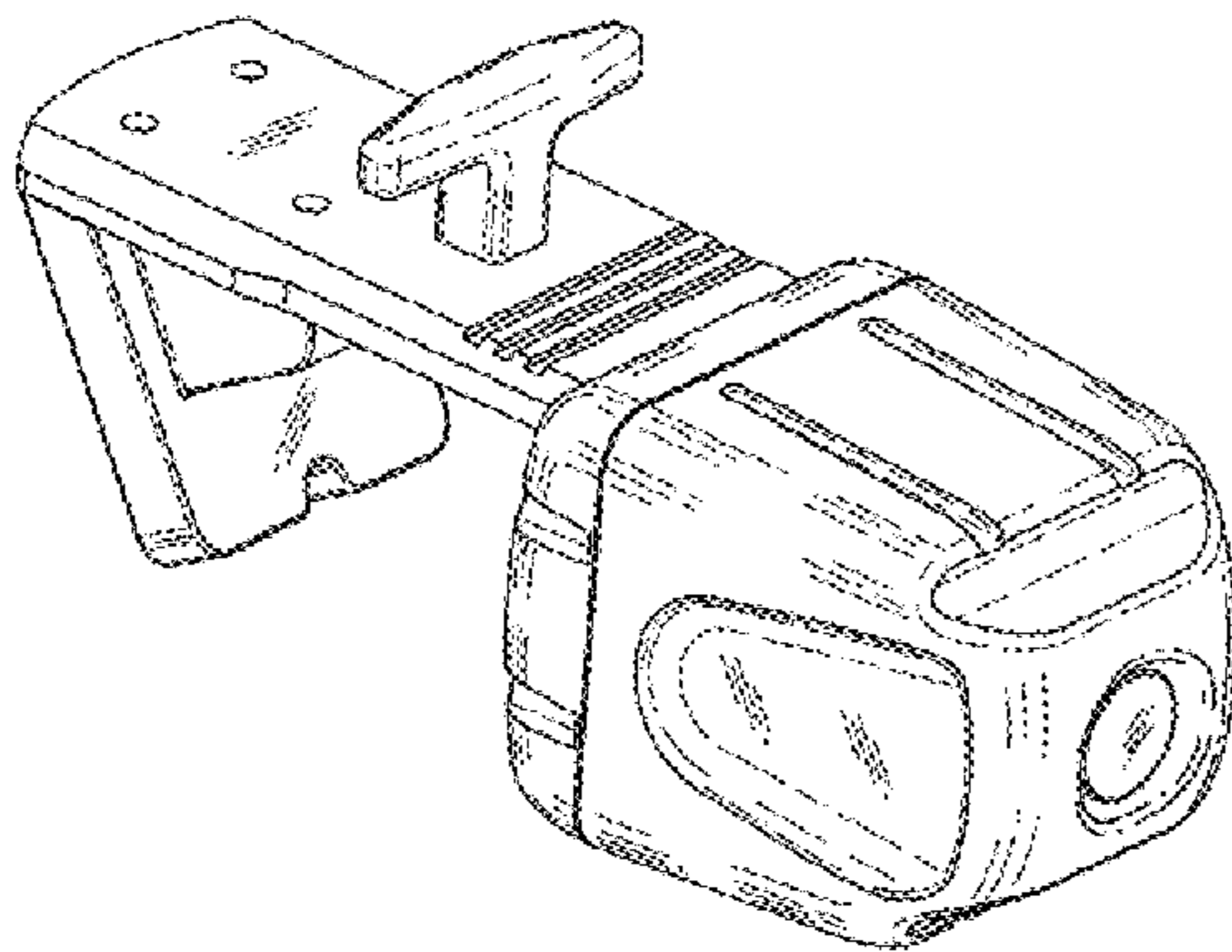
(57) **CLAIM**

The ornamental design for transmitter pod for medical ultrasound machine, as shown and described.

DESCRIPTION

FIG. 1 is a perspective view of a transmitter pod for a medical ultrasound machine showing my new design;
 FIG. 2 is a right elevation view thereof;
 FIG. 3 is a left elevation view thereof;
 FIG. 4 is a top plan view thereof;
 FIG. 5 is a bottom plan view thereof and the four small holes and the control button illustrated in broken line form no part of the claimed design.
 FIG. 6 is a front elevation view thereof;
 FIG. 7 is a rear elevation view thereof; and,
 FIG. 8 is a perspective view thereof and an environmental structure illustrated in broken line, which does not form part of the design.

1 Claim, 5 Drawing Sheets



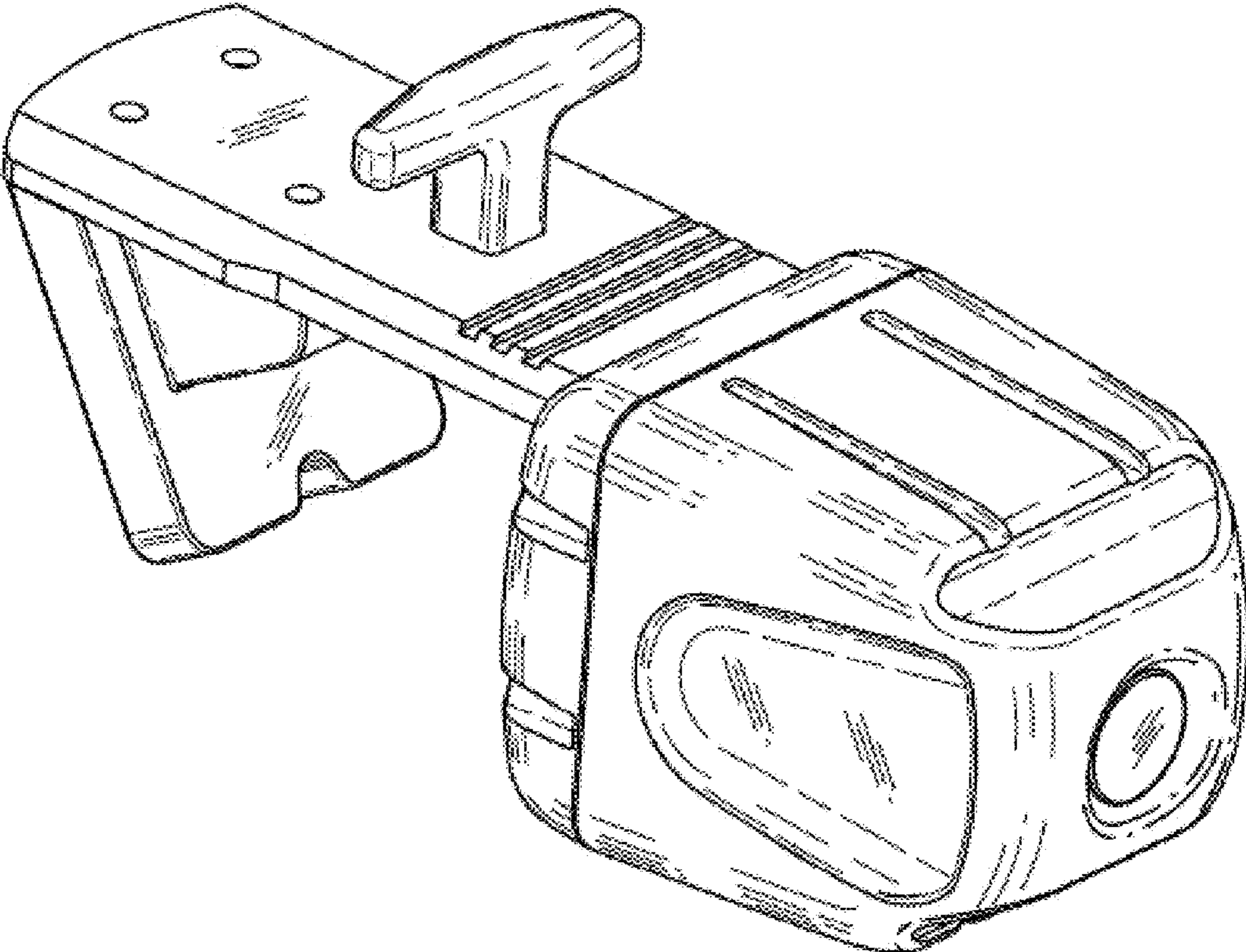


FIGURE 1

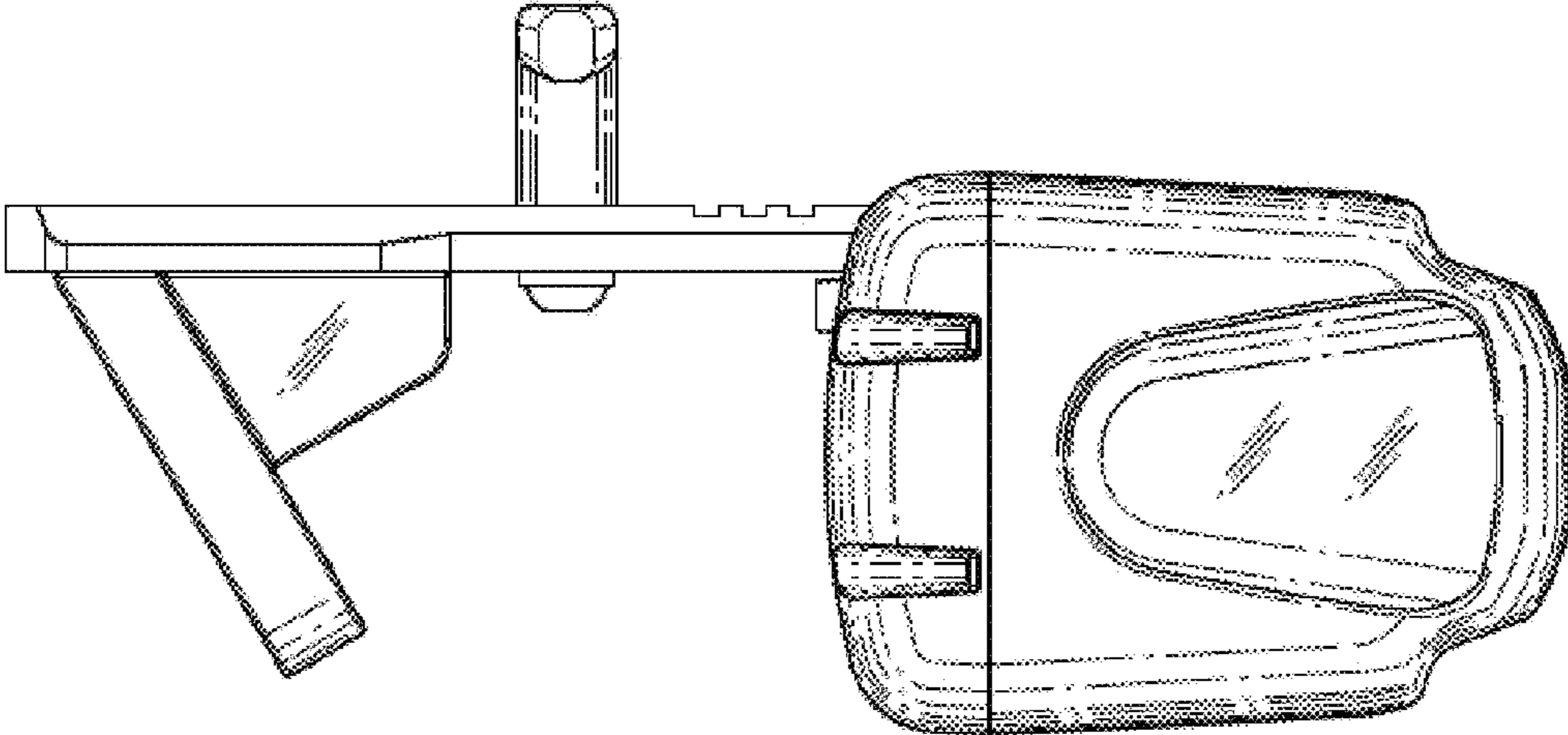


FIGURE 2

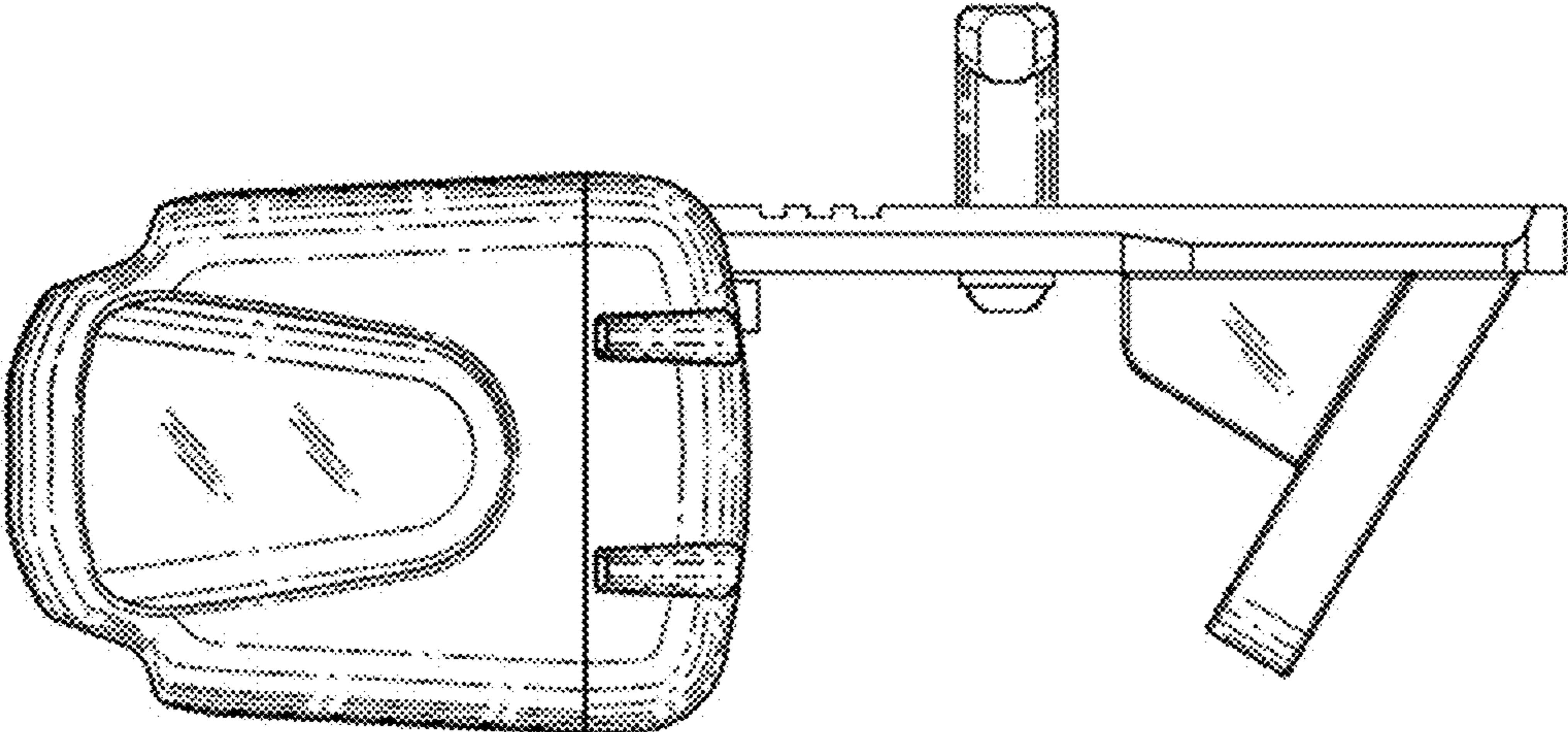


FIGURE 3

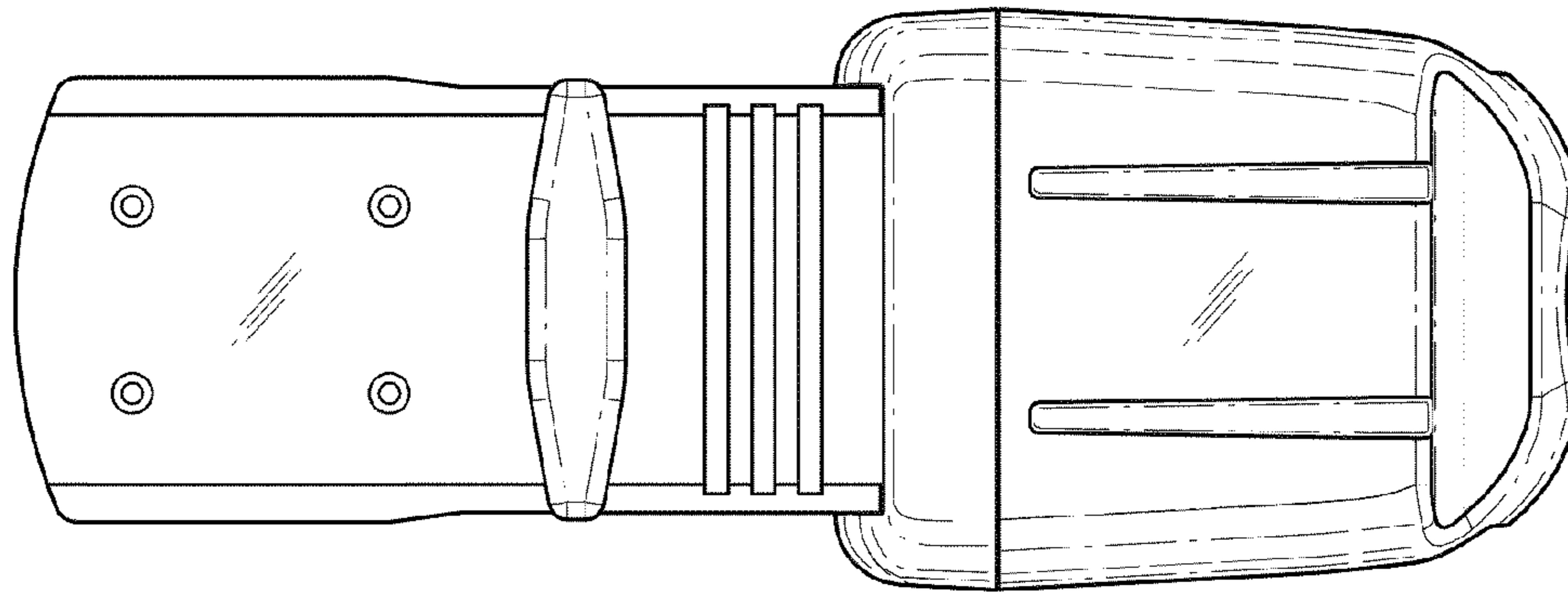


FIGURE 4

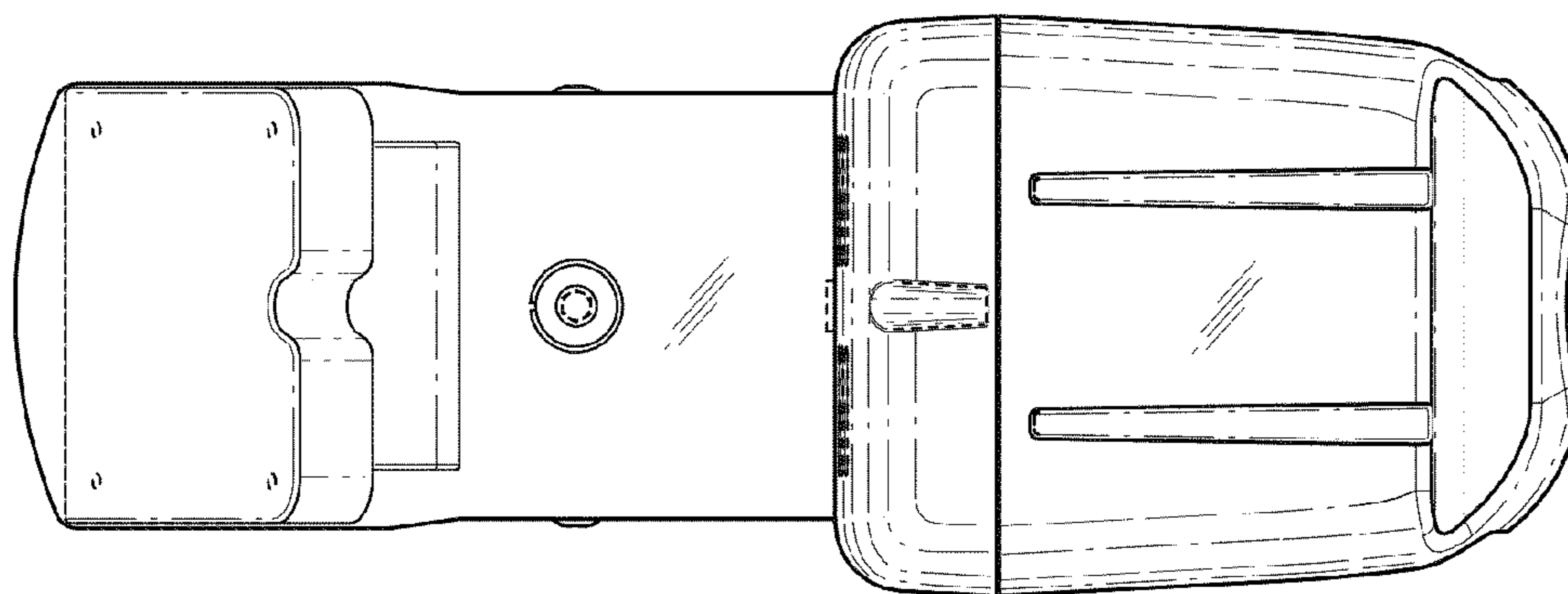


FIGURE 5

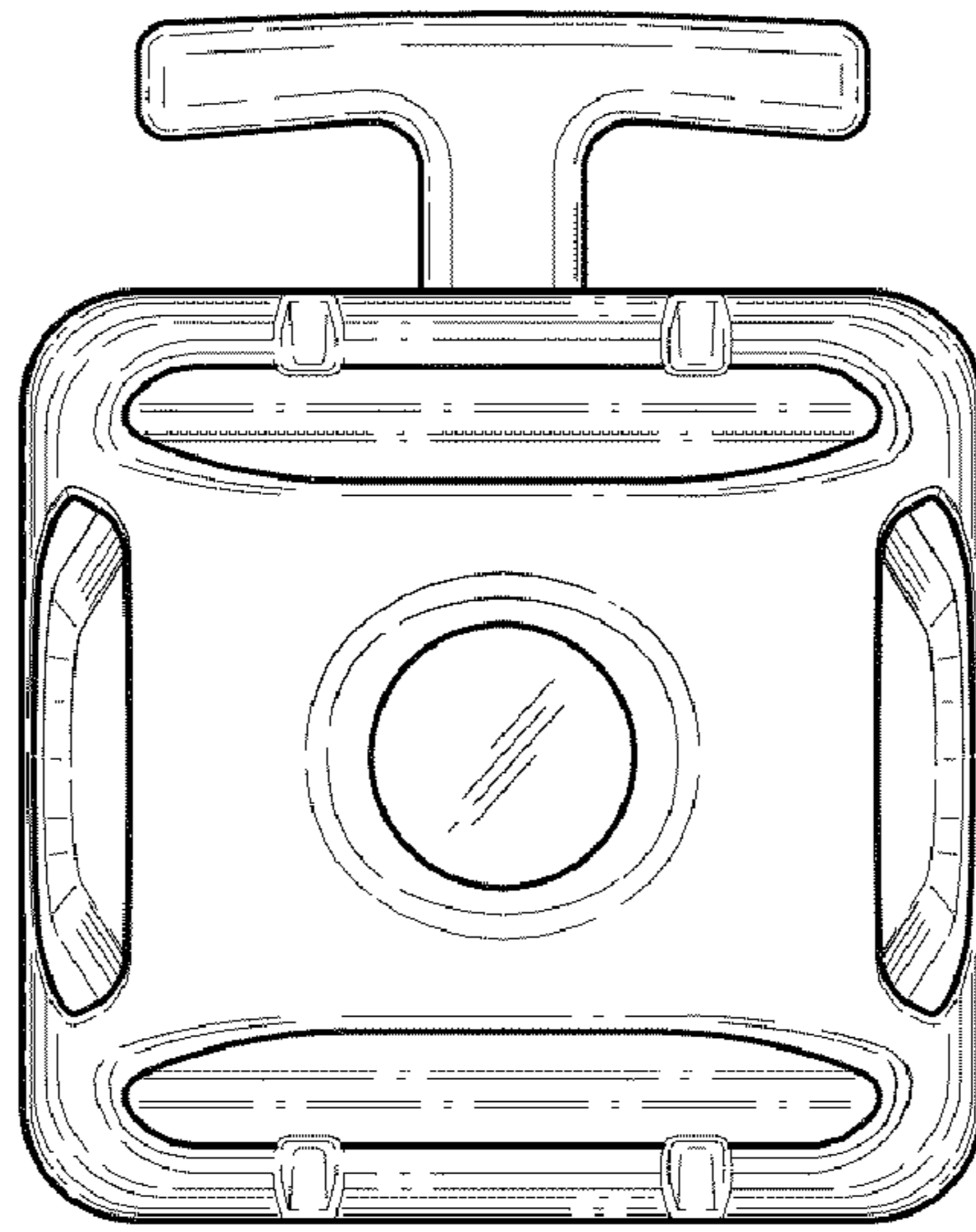


FIGURE 6

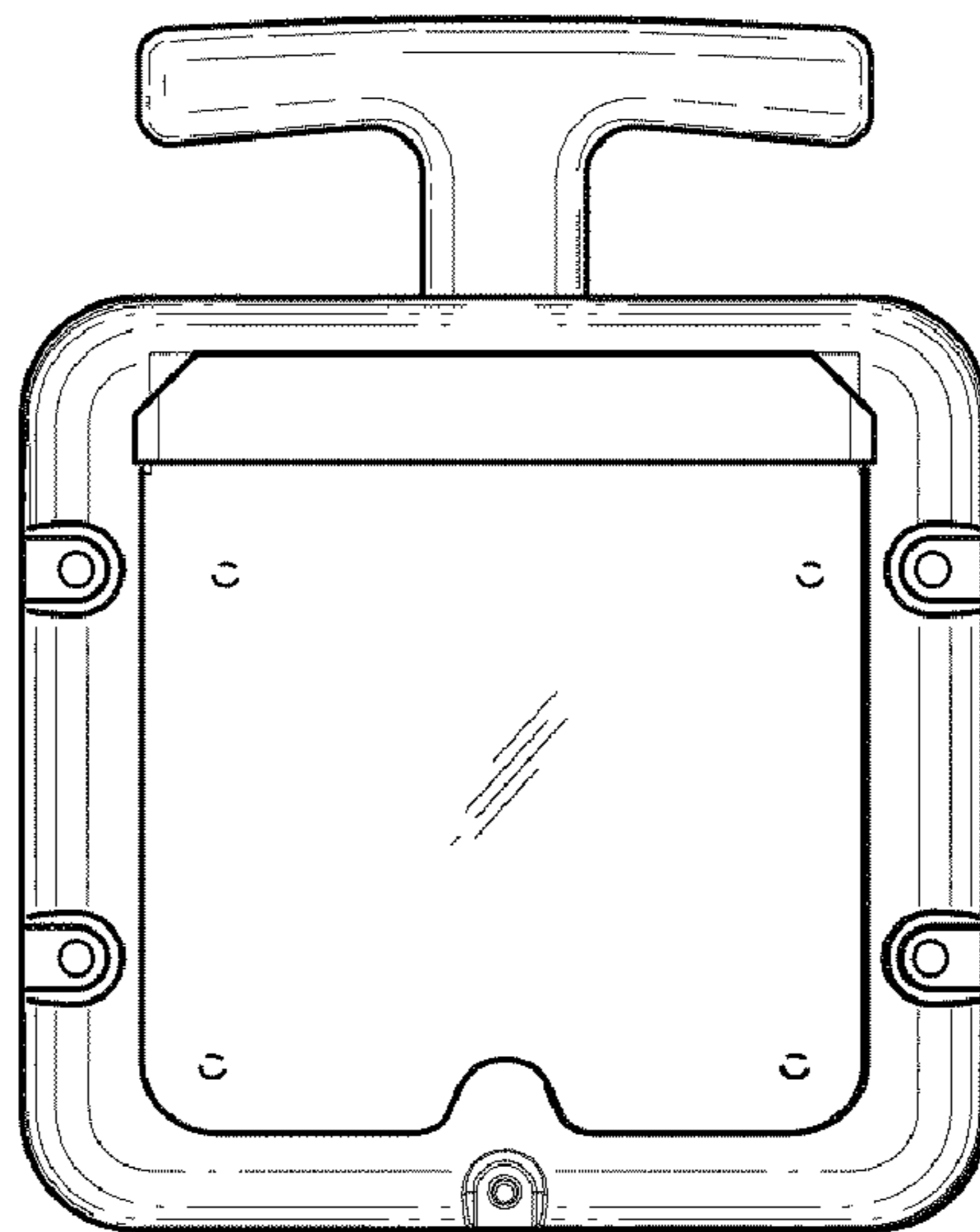


FIGURE 7

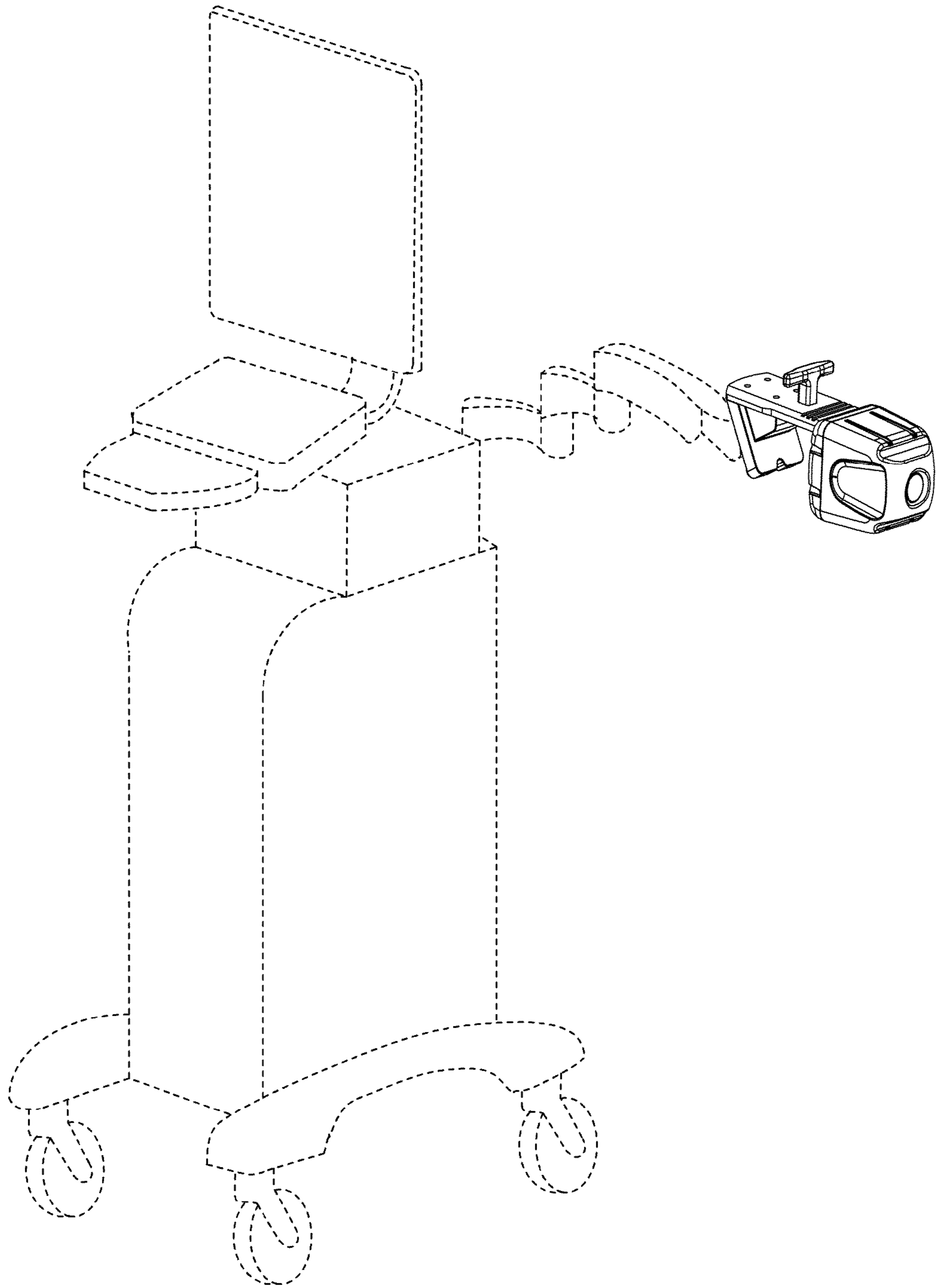


FIGURE 8