



US00D654177S

(12) **United States Design Patent**
Griffith et al.

(10) **Patent No.:** **US D654,177 S**

(45) **Date of Patent:** **** Feb. 14, 2012**

(54) **BABY MOVEMENT INDICATOR**

(76) Inventors: **Miles Julian Griffith**, Arvada, CO (US);
Wendi Kay Griffith, Arvada, CO (US)

(**) Term: **14 Years**

(21) Appl. No.: **29/389,088**

(22) Filed: **Apr. 6, 2011**

(51) **LOC (9) Cl.** **24-01**

(52) **U.S. Cl.** **D24/186**

(58) **Field of Classification Search** D24/107,
D24/165, 167, 186, 187; D14/191; 600/503,
600/502, 499, 494, 492, 485, 500, 511, 595,
600/586-588, 437-438; 607/902; 73/645,
73/658; D3/15, 273, 302; D9/430, 415,
D9/432, 424, 526; D21/529, 476; D11/157,
D11/131

See application file for complete search history.

(56) **References Cited**

U.S. PATENT DOCUMENTS

4,582,498	A	4/1986	Tamada	
4,781,200	A	11/1988	Baker	
4,898,179	A	2/1990	Sirota	
D328,617	S *	8/1992	Emmel et al.	D21/529
D384,909	S *	10/1997	Lenhard	D11/157
5,711,099	A	1/1998	Nesbit et al.	
D400,619	S *	11/1998	Schultheis et al.	D21/476
6,045,500	A	4/2000	Bieniarz	
D429,336	S *	8/2000	Francis et al.	D24/167
D452,012	S *	12/2001	Phillips	D24/186
D482,452	S *	11/2003	Davey et al.	D24/186
D485,978	S *	2/2004	Dweck	D3/15
D492,999	S *	7/2004	Lax	D24/167
D518,370	S *	4/2006	Vanhoutte	D9/430
D525,710	S *	7/2006	Kobayashi et al.	D24/165
D531,798	S *	11/2006	Ringo	D9/415
D552,465	S *	10/2007	Ringo	D3/273
D553,248	S	10/2007	Nguyen	
7,296,733	B2	11/2007	Nguyen	
D558,572	S *	1/2008	Andre et al.	D9/432
D565,458	S	4/2008	Jordan	

D584,053	S *	1/2009	Abdo et al.	D3/302
D598,740	S *	8/2009	Auer et al.	D9/424
D608,451	S *	1/2010	Hanoun	D24/186
D615,858	S *	5/2010	Prevost	D9/415
D618,999	S *	7/2010	Akana et al.	D9/430
D637,076	S *	5/2011	Akana et al.	D9/430
D637,515	S *	5/2011	Costephens	D11/131

(Continued)

FOREIGN PATENT DOCUMENTS

CN 1262918 8/2000

(Continued)

OTHER PUBLICATIONS

“BabyKick Kick Trak Handheld Fetal Movement Tracking Device,”
accessed from Amazon.com at http://www.amazon.com/Kicktrak-Baby-Monitoring-System-Unisar/dp/B001I82OE8/ref=sr_1_1?ie=UTF8&qid=1311271717&sr=8-1, Sep. 30, 2010, 1 page.

Primary Examiner — T. Chase Nelson

Assistant Examiner — Mark Cavanna

(74) *Attorney, Agent, or Firm* — Sheridan Ross P.C.

(57) **CLAIM**

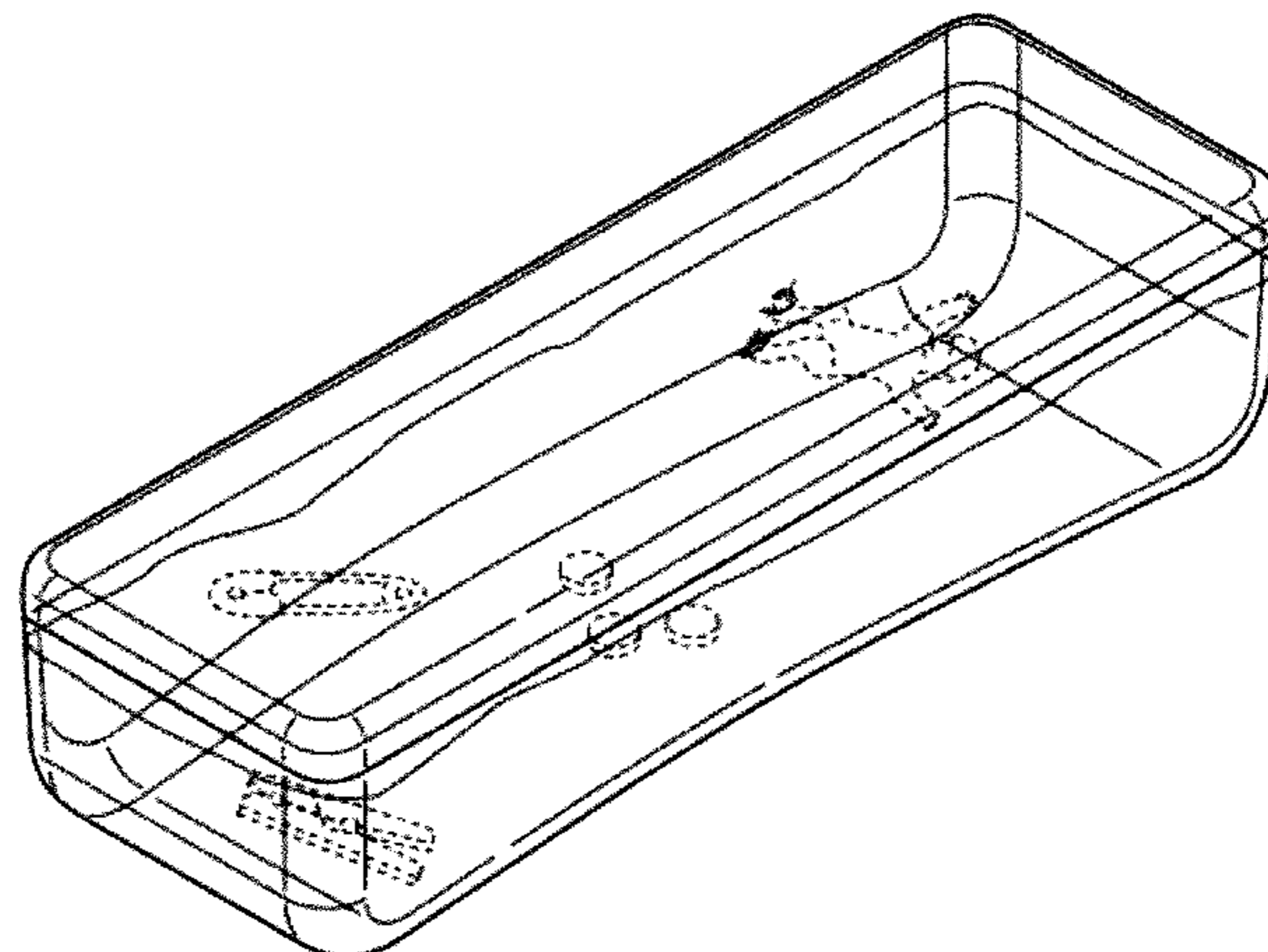
The ornamental design for a baby movement indicator, as shown and described.

DESCRIPTION

FIG. 1 is a perspective view of the baby movement indicator showing our new design wherein a plurality of items are shown floating in a contained media;
FIG. 2 is a front elevation view thereof;
FIG. 3 is a rear elevation view thereof;
FIG. 4 is a right elevation view thereof;
FIG. 5 is a left elevation view thereof;
FIG. 6 is a top plan view thereof; and,
FIG. 7 is a bottom plan view thereof.

The broken lines in the figures show environment for illustrative purposes only and forms no part of the claimed design.

1 Claim, 4 Drawing Sheets



US D654,177 S

Page 2

U.S. PATENT DOCUMENTS

D643,298 S * 8/2011 Gillespie D9/526
D649,449 S * 11/2011 Akana et al. D9/430
2007/0102501 A1 5/2007 Nguyen
2007/0102503 A1 5/2007 Nguyen
2010/0185108 A1 7/2010 Vullings et al.
2010/0191154 A1 7/2010 Berger et al.

FOREIGN PATENT DOCUMENTS

DE 4225036 12/1993
FR 2602413 2/1988
GB 1348154 3/1974

GB 1369166 10/1974
GB 1398670 6/1975
JP 04-309334 10/1992
JP 05-000141 1/1993
JP 06-296593 10/1994
JP 11-089832 4/1999
JP 2002-034954 2/2002
WO WO 86/02250 4/1986
WO WO 89/04140 5/1989
WO WO 99/52020 10/1999
WO WO 2008/010216 1/2008

* cited by examiner

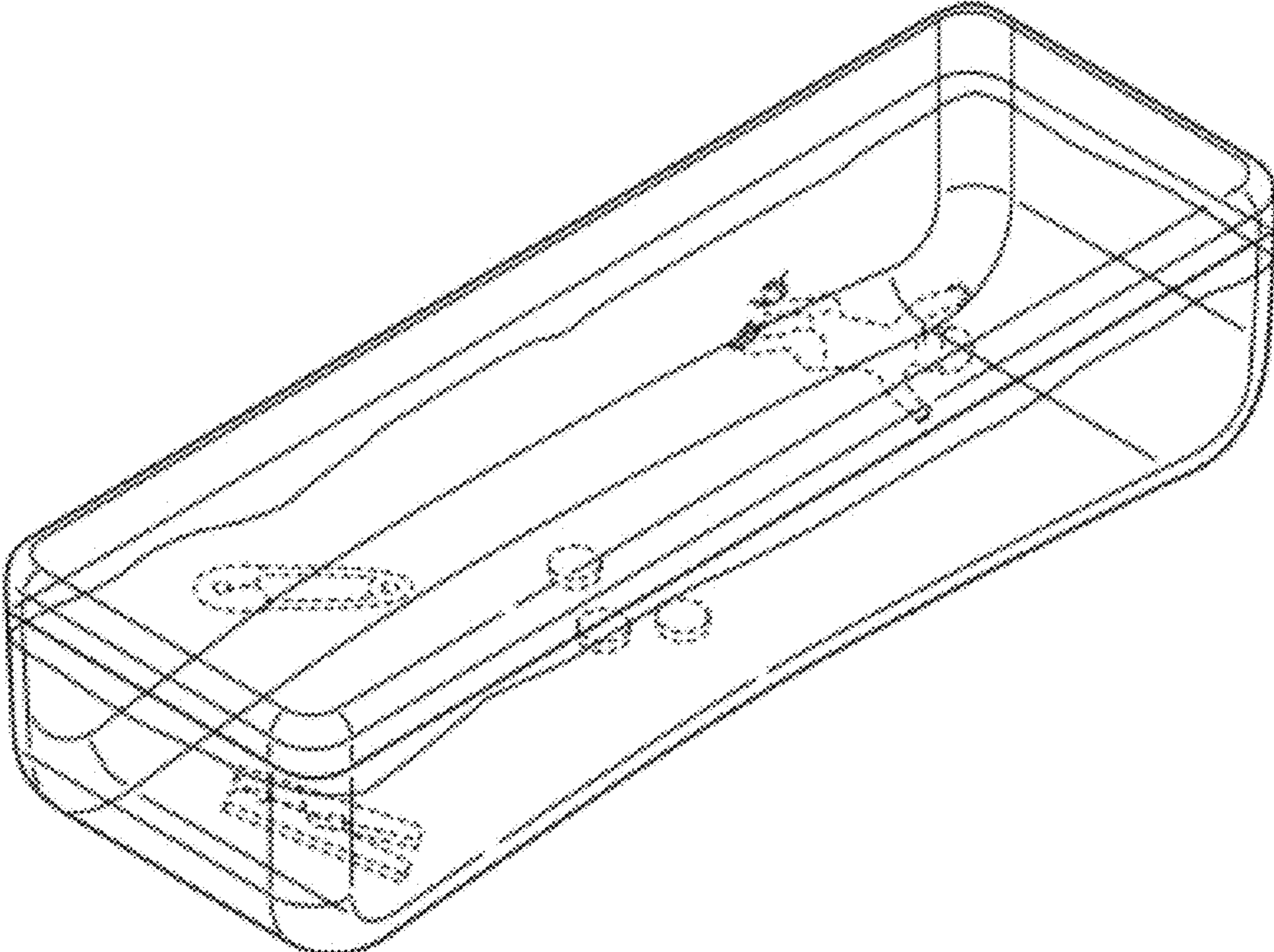


FIG.1

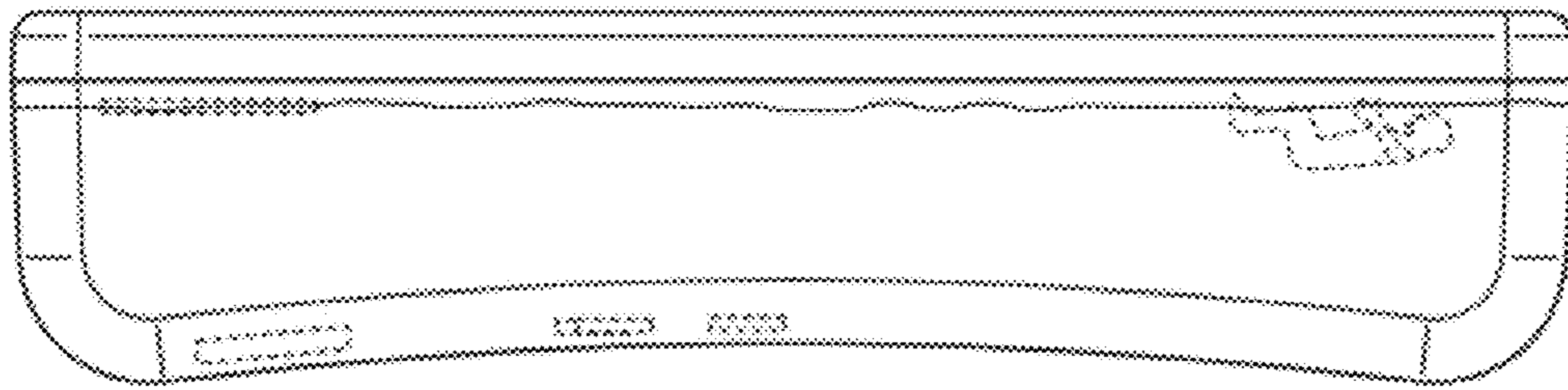


FIG. 2

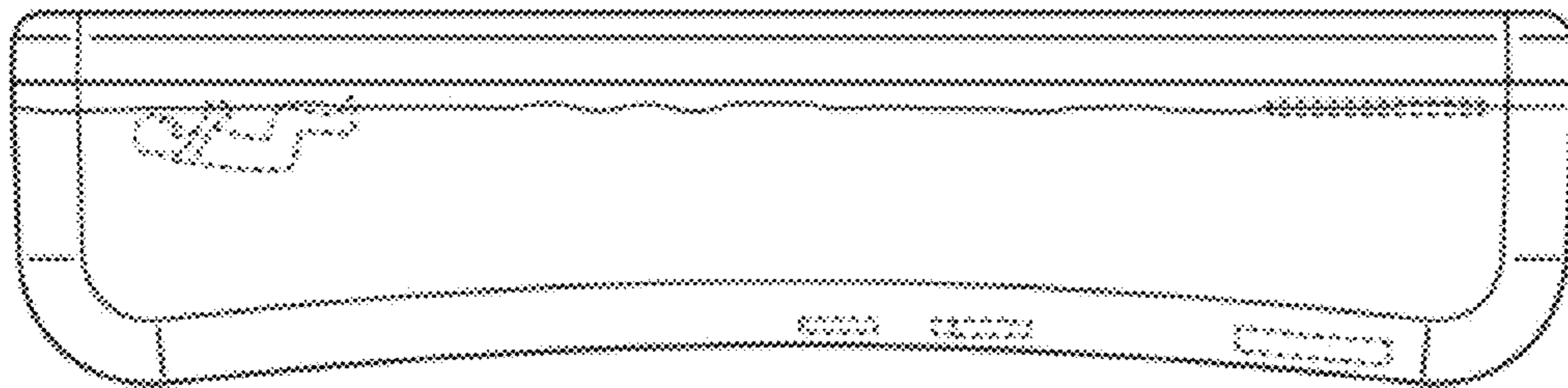


FIG. 3

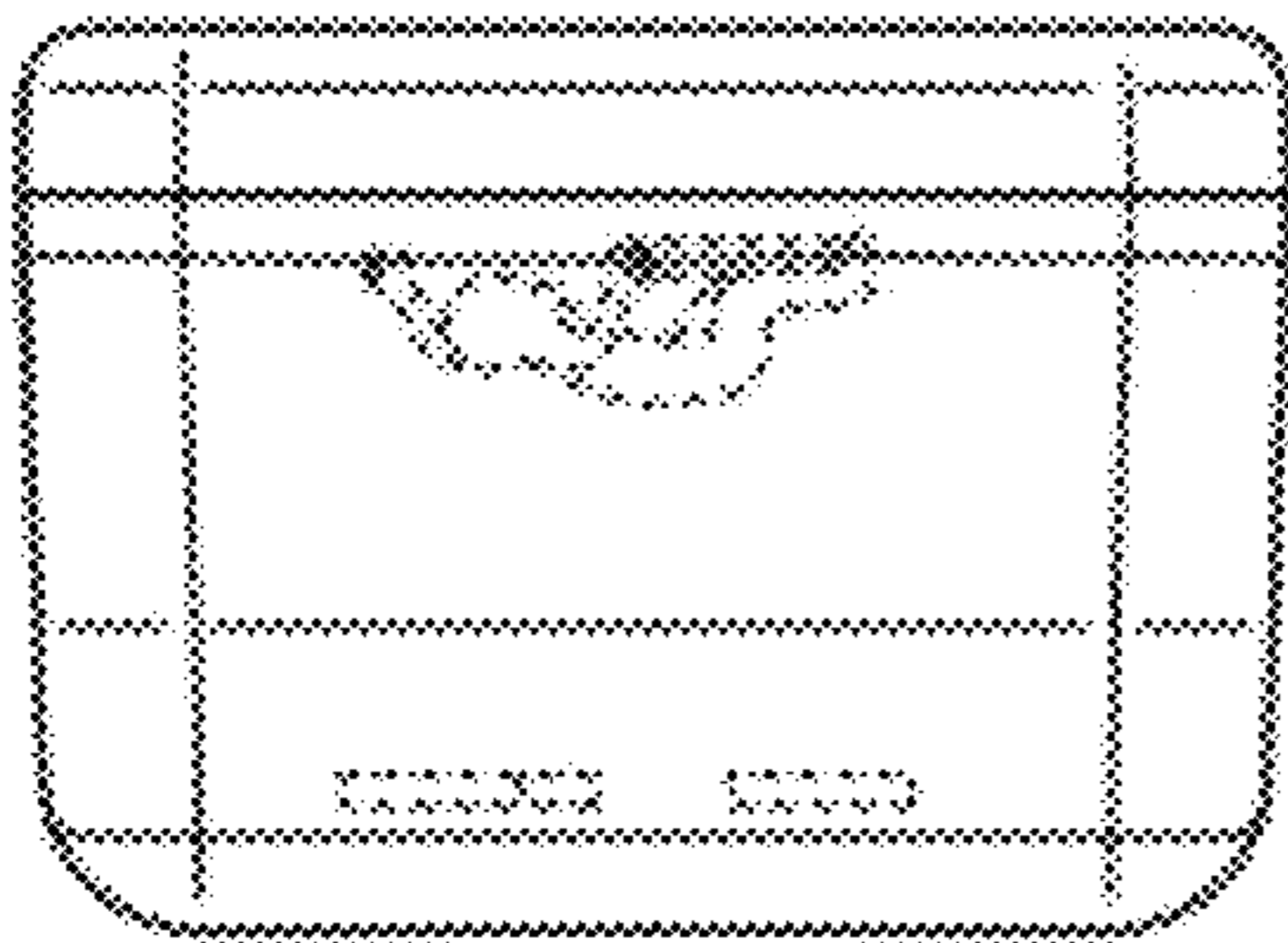


FIG.4

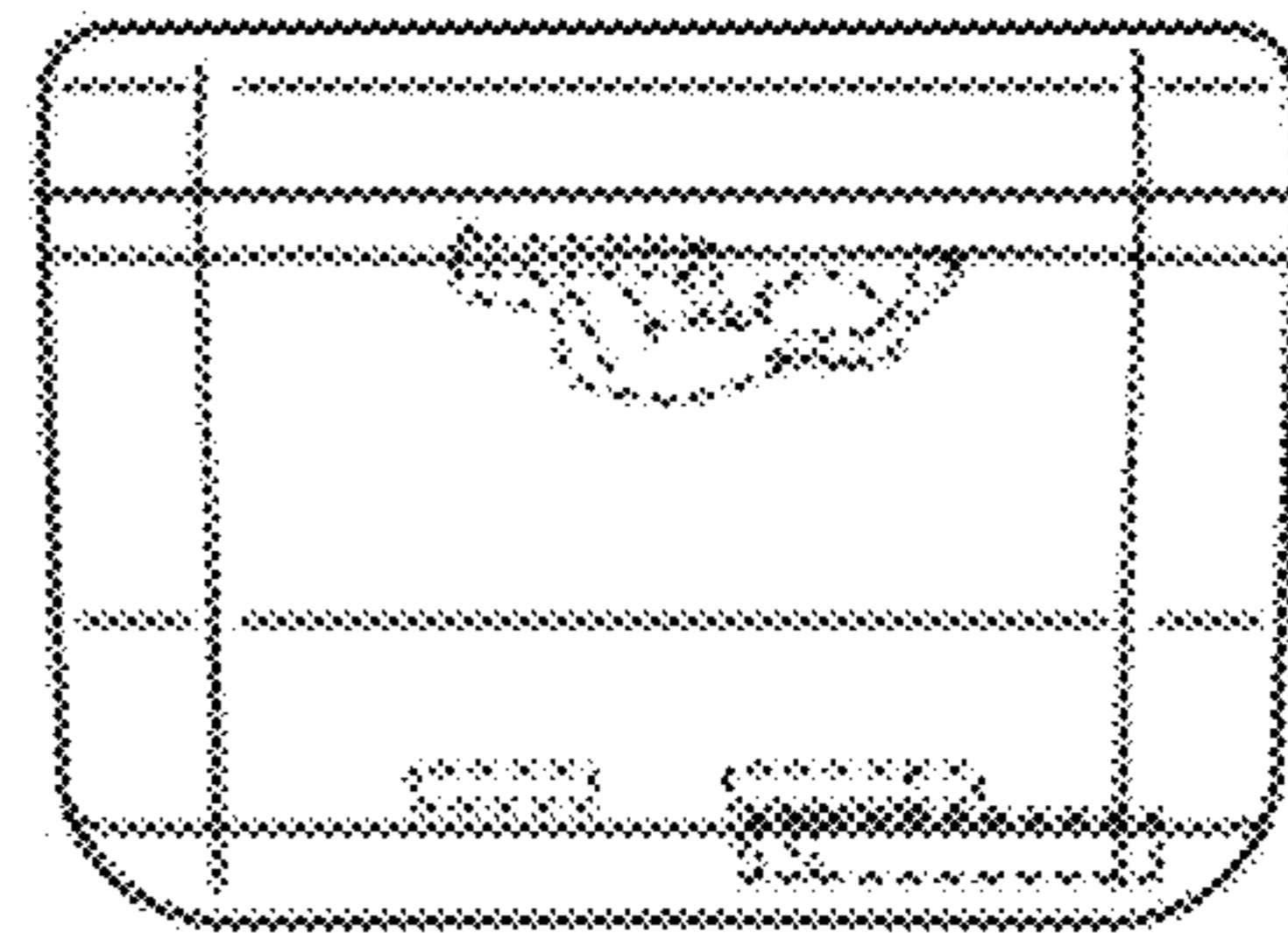


FIG.5

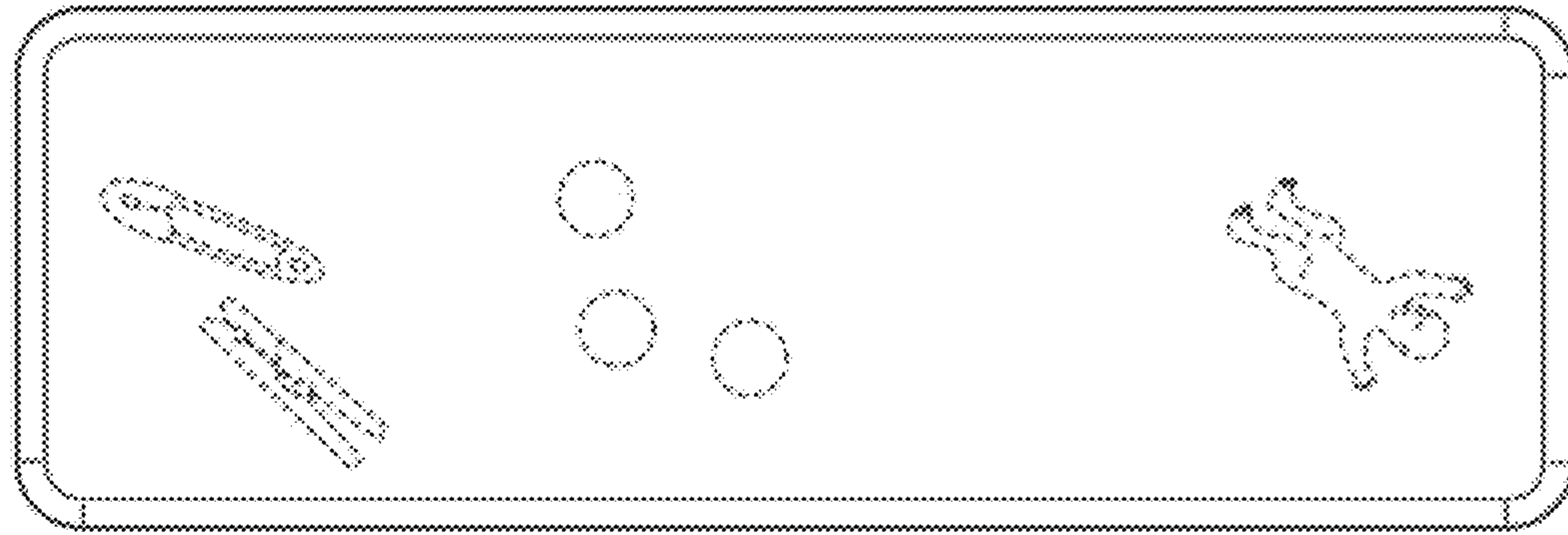


FIG. 6

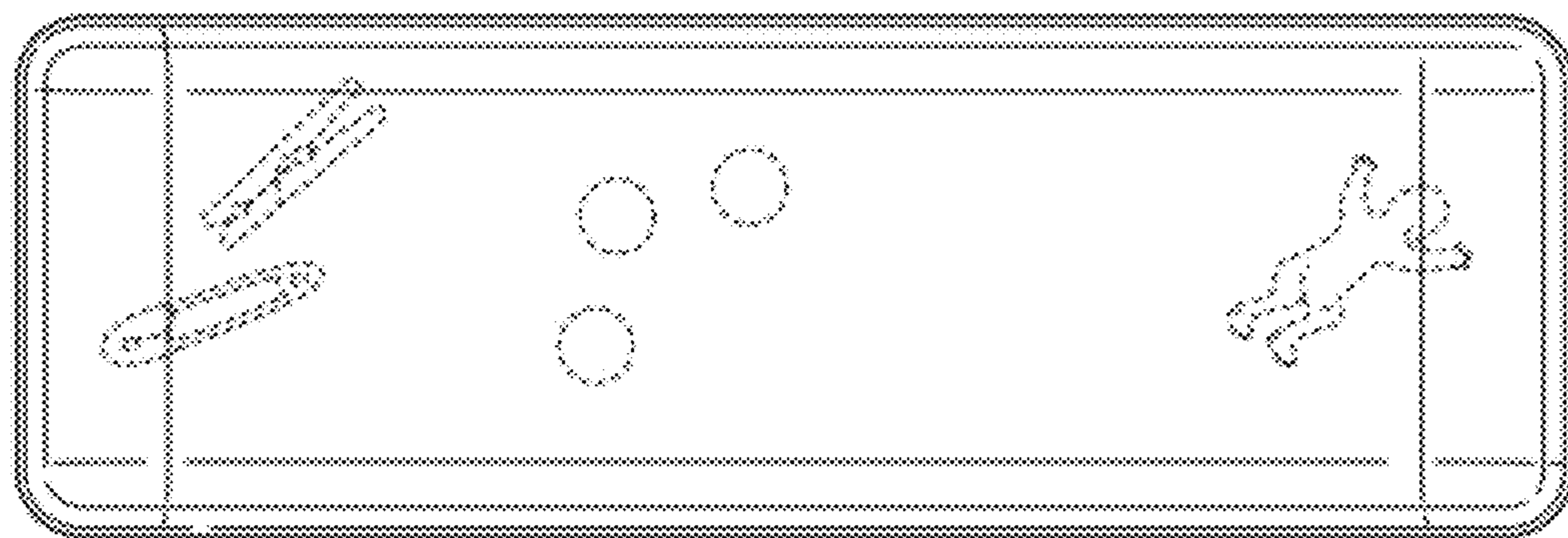


FIG. 7