



US00D654175S

(12) **United States Design Patent**
Swanek

(10) **Patent No.:** **US D654,175 S**
(45) **Date of Patent:** **** Feb. 14, 2012**

(54) **SANITIZING STATION**

(75) **Inventor:** **Rosemary Swanek, Toronto (CA)**

(73) **Assignee:** **Tagg Design Inc, Ottawa, ON (CA)**

(**) **Term:** **14 Years**

(21) **Appl. No.:** **29/346,546**

(22) **Filed:** **Nov. 2, 2009**

(51) **LOC (9) Cl.** **24-01**

(52) **U.S. Cl.** **D24/185**

(58) **Field of Classification Search** D24/185,
D24/217, 232, 234; 221/105, 173, 180, 181.1,
221/181.2, 181.3, 1; D10/2; D6/515, 542-545,
D6/522; 222/173-174; D23/234, 270, 271;
312/249.11

See application file for complete search history.

(56) **References Cited**

U.S. PATENT DOCUMENTS

D273,062	S	*	3/1984	Richardson	D6/545
D274,024	S	*	5/1984	Vignot	D6/545
D279,530	S	*	7/1985	vonBuelow	D6/545
D283,573	S	*	4/1986	Bernard	D6/522
D285,271	S	*	8/1986	Bunschoten et al.	D6/545
D285,272	S	*	8/1986	Bunschoten et al.	D6/545
D310,924	S	*	10/1990	Breger	D6/542
D341,974	S	*	12/1993	Killoy	D6/545
D343,751	S	*	2/1994	Bell et al.	D6/545
D344,830	S	*	3/1994	Carter et al.	D23/271

(Continued)

Primary Examiner — T. Chase Nelson

Assistant Examiner — Mark Cavanna

(74) *Attorney, Agent, or Firm* — Smith Risley Tempel Santos LLC; Gregory Scott Smith

(57) **CLAIM**

The ornamental design for a sanitizing station, as shown and described.

DESCRIPTION

FIG. 1 is a perspective view of a first embodiment of a sanitizing station;

FIG. 2 is a perspective view of a second embodiment of a sanitizing station;

FIG. 3 is a perspective view of a third embodiment of a sanitizing station;

FIG. 4 is a perspective view of a fourth embodiment of a sanitizing station;

FIG. 5 is a bottom view of the sanitizing station of FIGS. 1 to 4;

FIG. 6 is a rear view of the sanitizing station of FIGS. 1 and 2;

FIG. 7 is a front view of the sanitizing station of FIG. 1;

FIG. 8 is a front view of the sanitizing station of FIG. 2;

FIG. 9 is a side view of the sanitizing station of FIGS. 1 and 2 with the left and right side views being identical;

FIG. 10 is a top view of the sanitizing station of FIGS. 1 and 2;

FIG. 11 is a rear view of the sanitizing station of FIGS. 3 and 4;

FIG. 12 is a front view of the sanitizing station of FIG. 3;

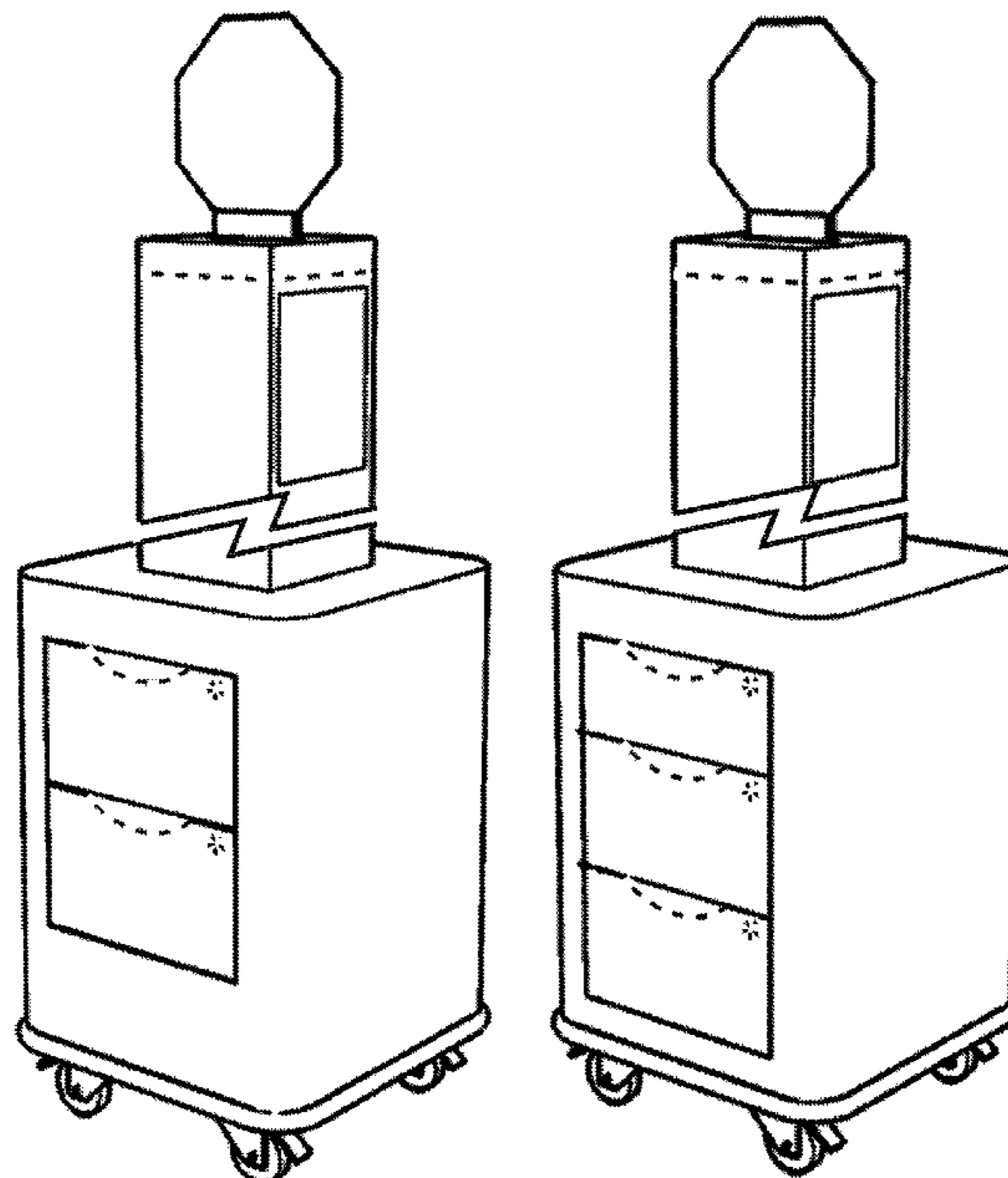
FIG. 13 is a front view of the sanitizing station of FIG. 4;

FIG. 14 is a side view of the sanitizing station of FIGS. 3 and 4 with the left and right side views being identical; and,

FIG. 15 is a top view of the sanitizing station of FIGS. 3 and 4.

The broken lines are included for the purpose of illustrating portions of the sanitizing station that form no part of the claimed design. The column portion of the sanitizing station shown in FIGS. 1-4, 6-9, 11-14 is shown broken away in order to indicate that a specific height of this portion forms no part of the claimed design.

1 Claim, 15 Drawing Sheets



US D654,175 S

Page 2

U.S. PATENT DOCUMENTS

D345,664 S *	4/1994	Brandenburg	D6/545	D544,071 S *	6/2007	Teuscher et al.	D23/234
D345,877 S *	4/1994	Brandenburg	D6/545	D620,292 S *	7/2010	Kim	D6/545
D372,613 S *	8/1996	Nixon, II	D6/545	D632,765 S *	2/2011	Stob et al.	D23/270
D379,728 S *	6/1997	Simon	D6/545	D634,143 S *	3/2011	Burkett	D6/545
D386,027 S *	11/1997	Cameron et al.	D6/545	2003/0197026 A1 *	10/2003	Ashe	222/174
D388,990 S *	1/1998	Brandenburg et al.	D6/545	2010/0163569 A1 *	7/2010	Parker	221/1
D426,094 S *	6/2000	Carlson	D6/545	2011/0018412 A1 *	1/2011	Swanek	312/249.11
D475,873 S *	6/2003	Mello	D6/515	2011/0132931 A1 *	6/2011	Wright	222/173
D530,125 S *	10/2006	Vignot	D6/545				

* cited by examiner

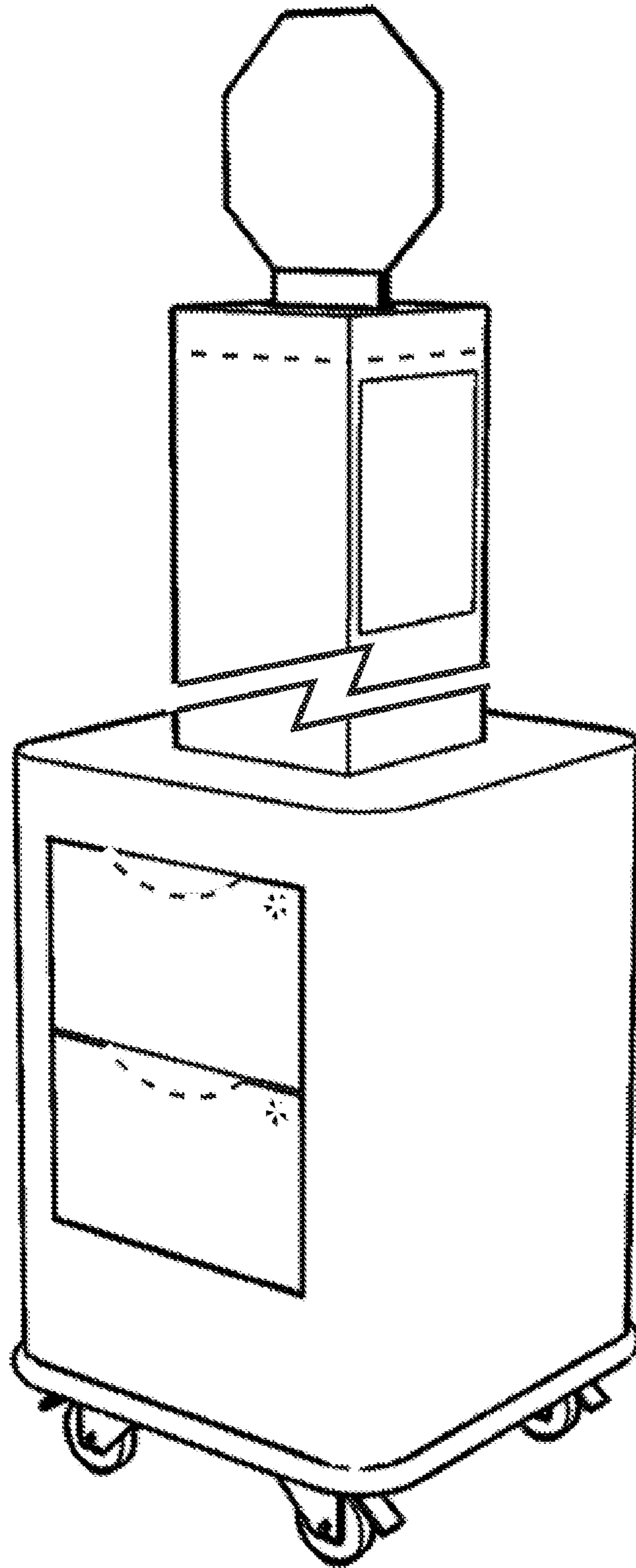


FIG. 1

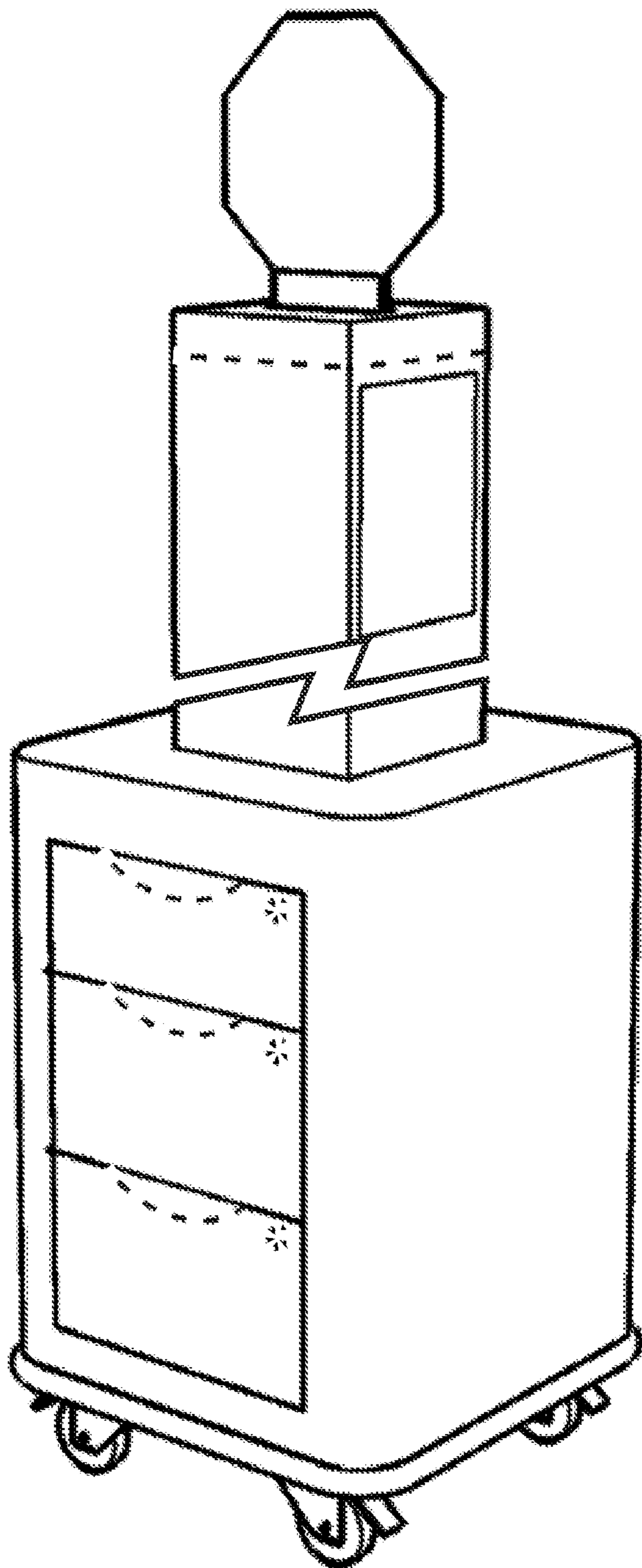


FIG. 2

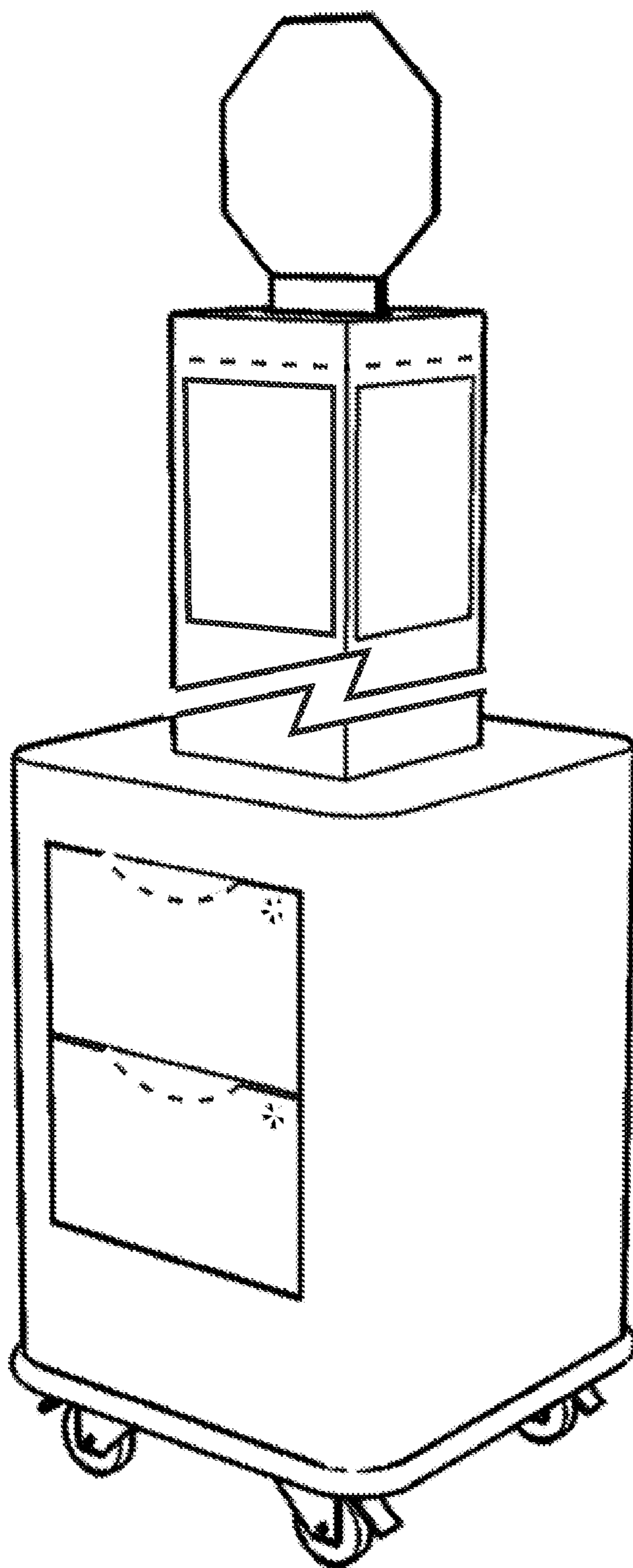


FIG. 3

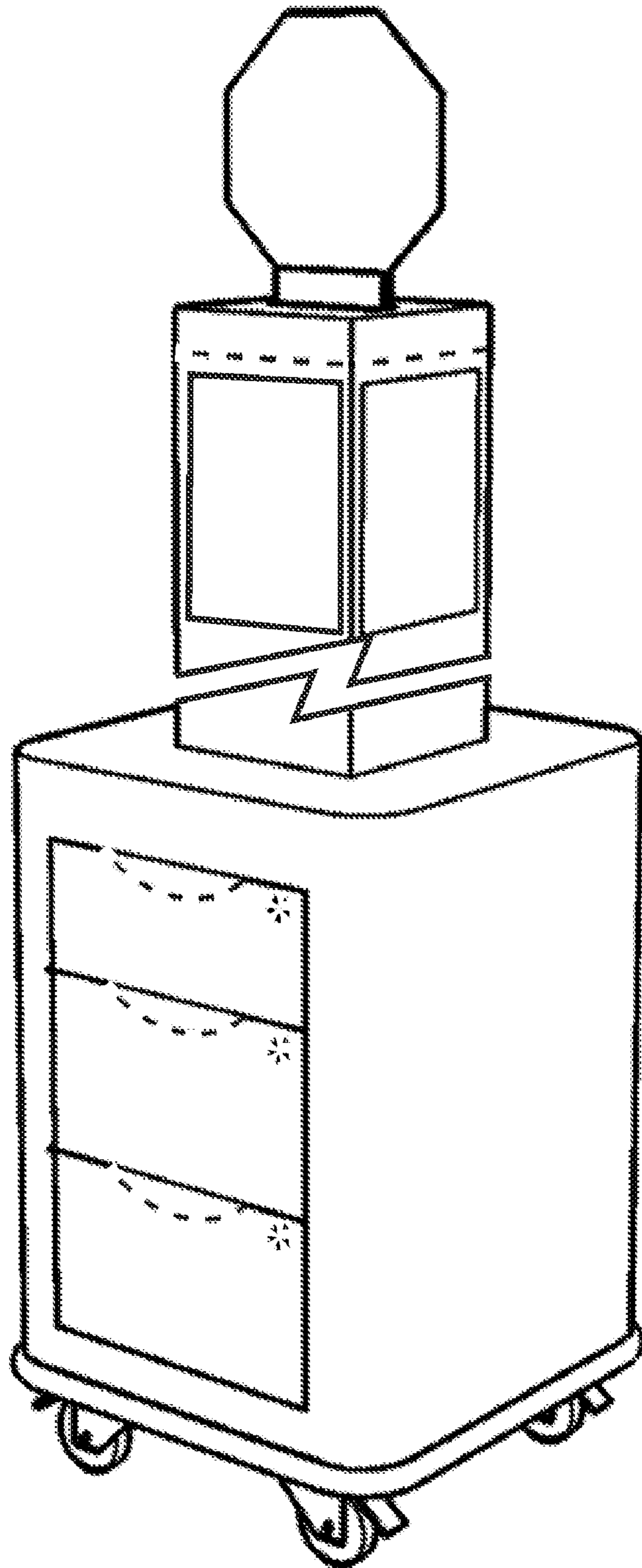


FIG. 4

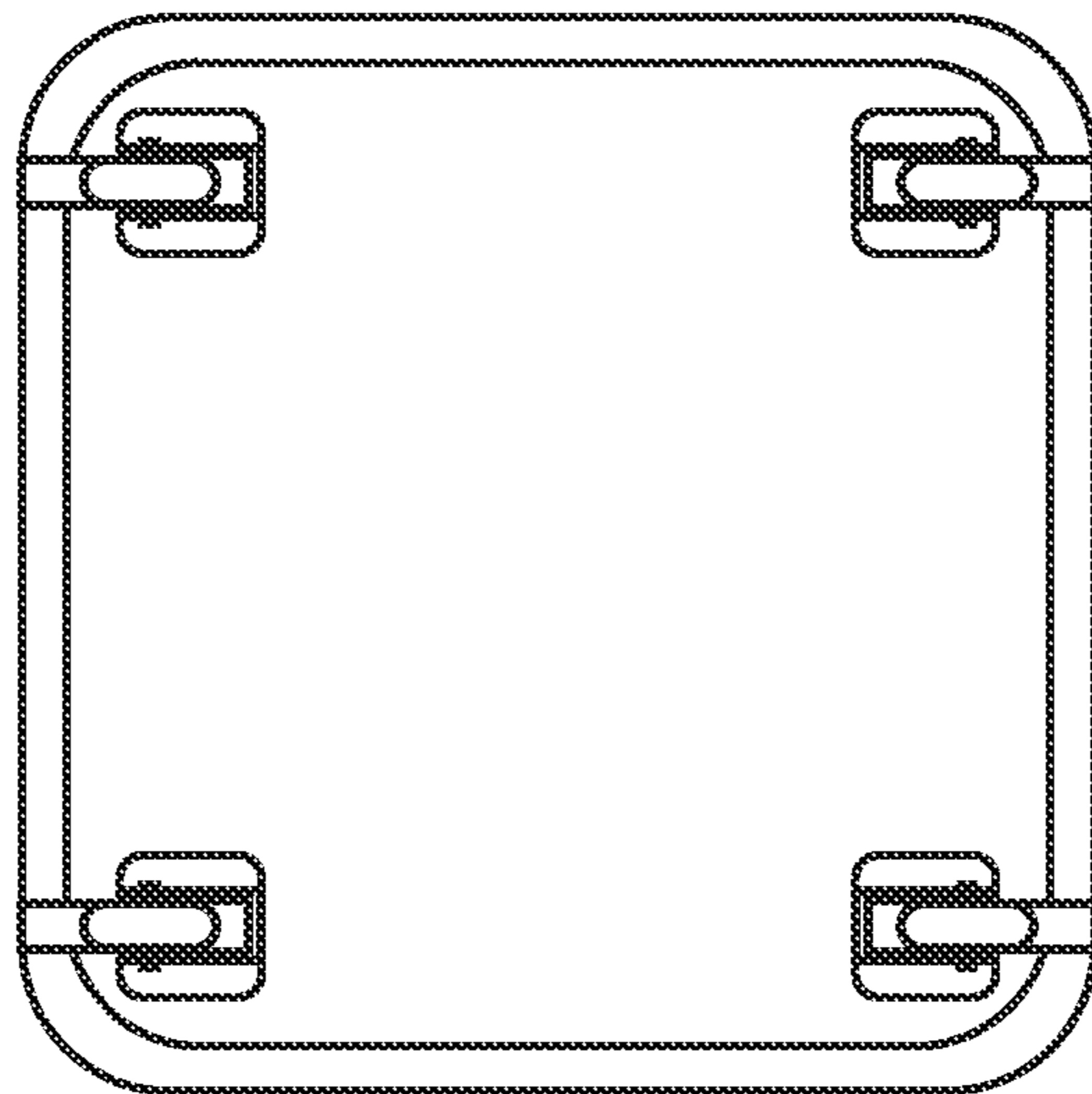


FIG. 5

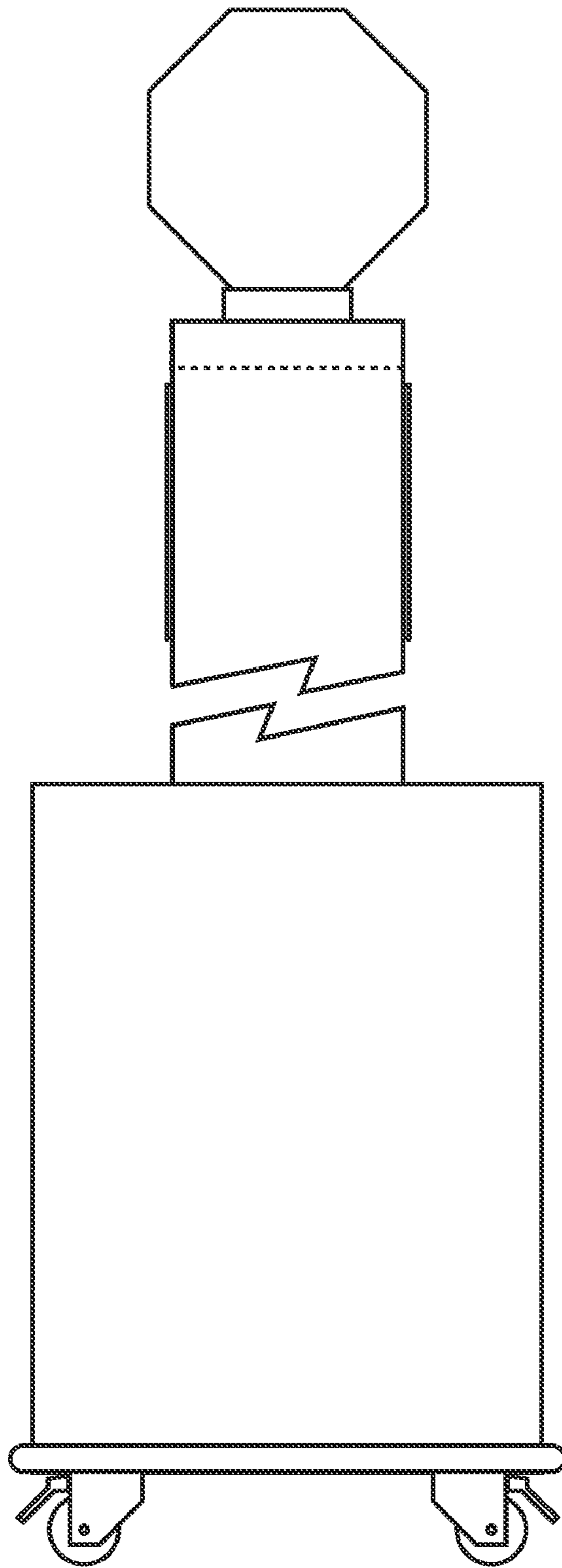


FIG. 6

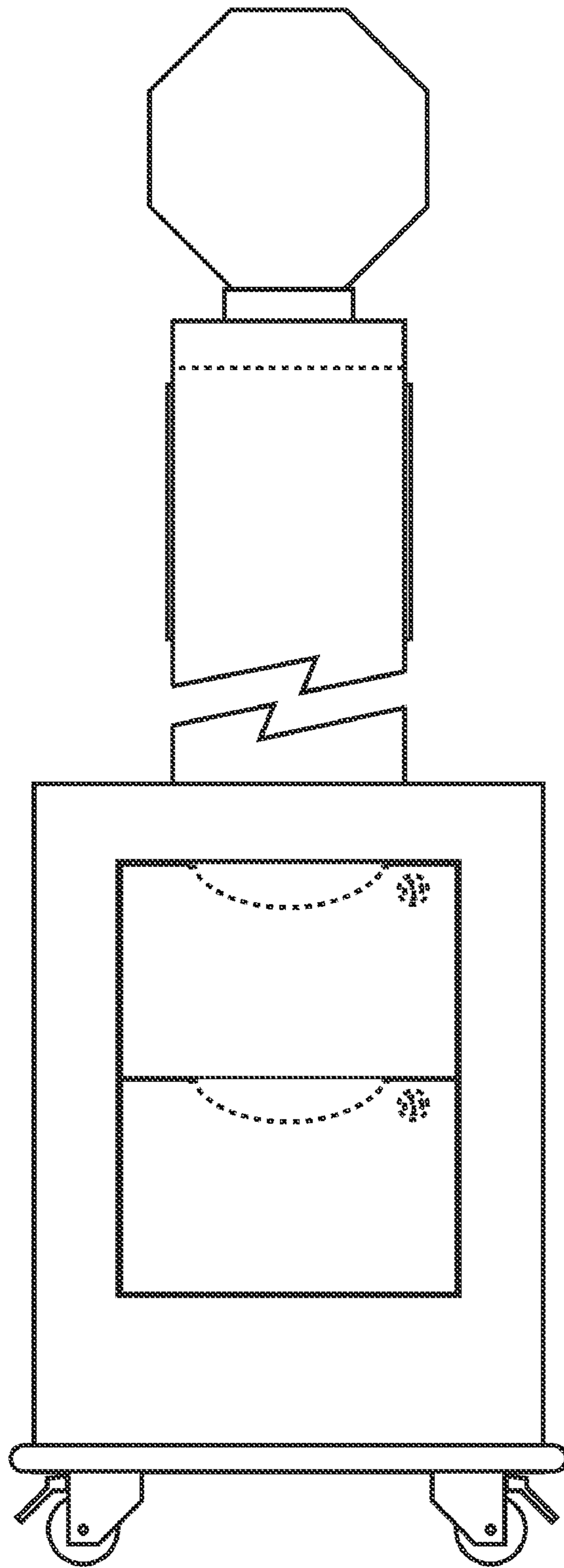


FIG. 7

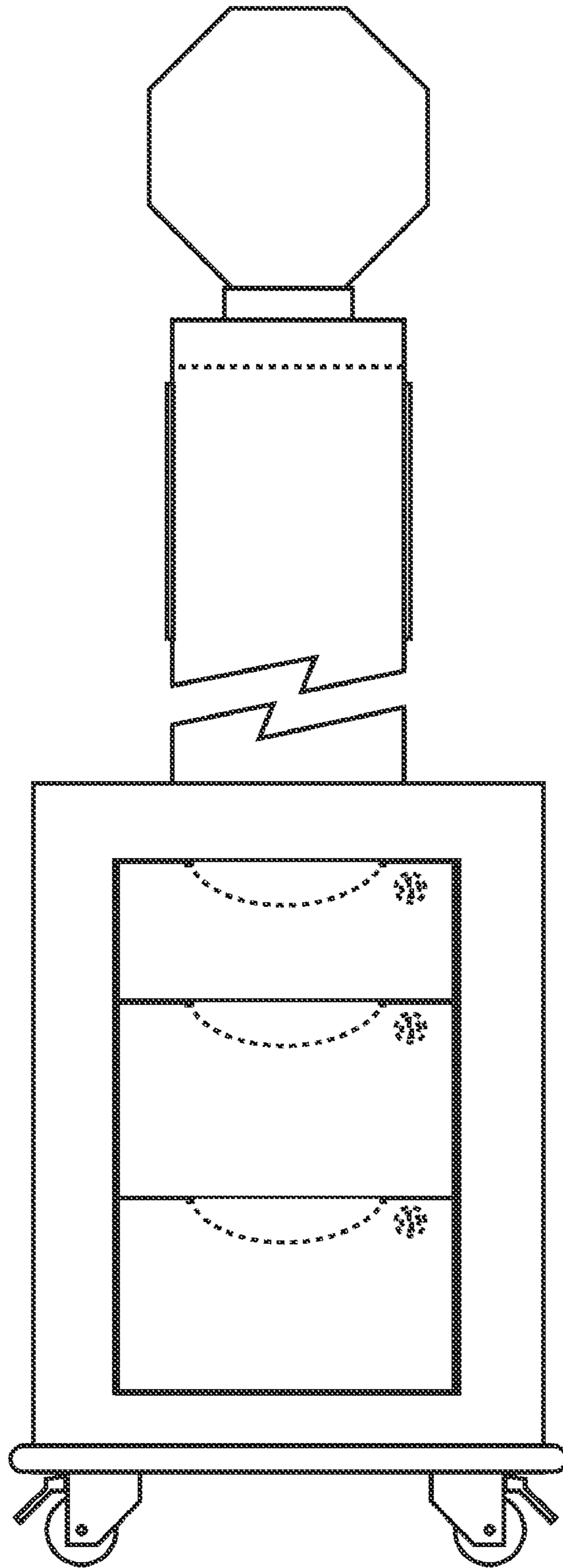


FIG. 8

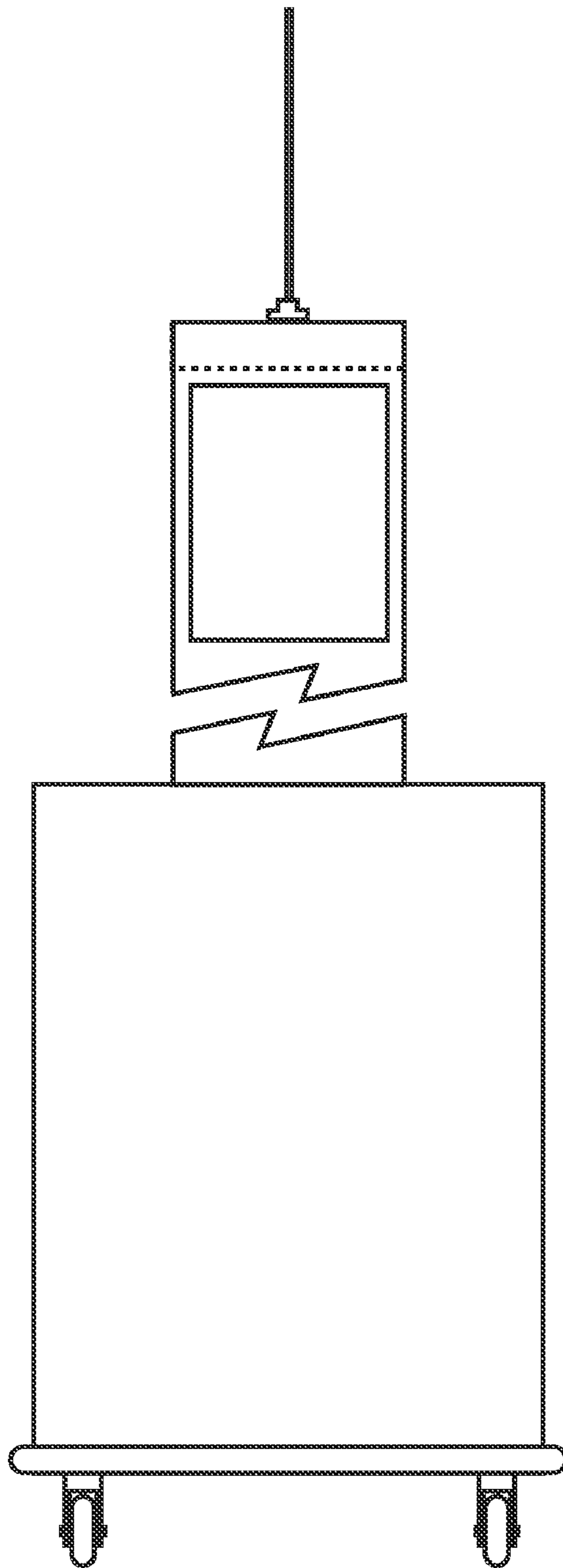


FIG. 9

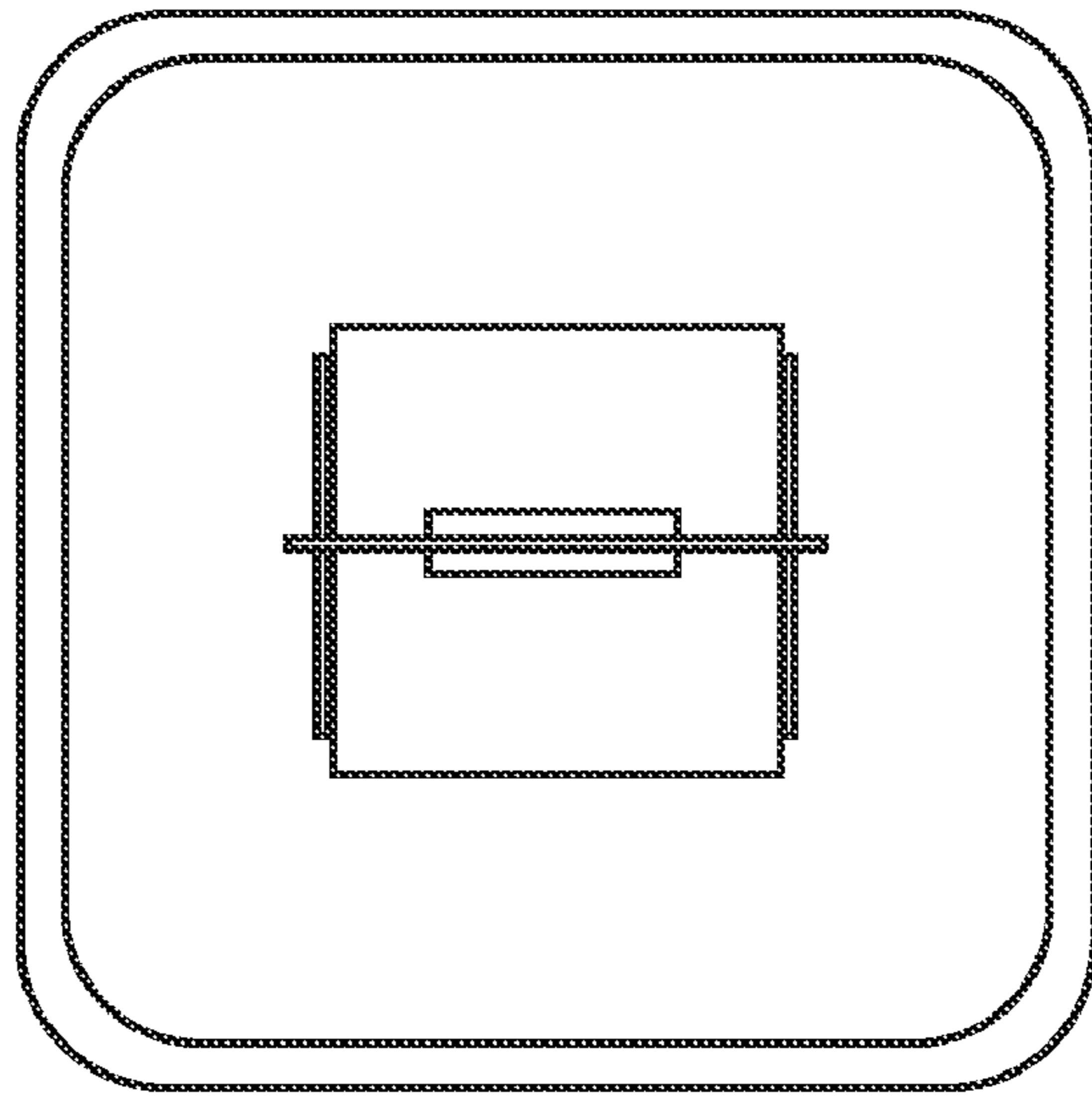


FIG. 10

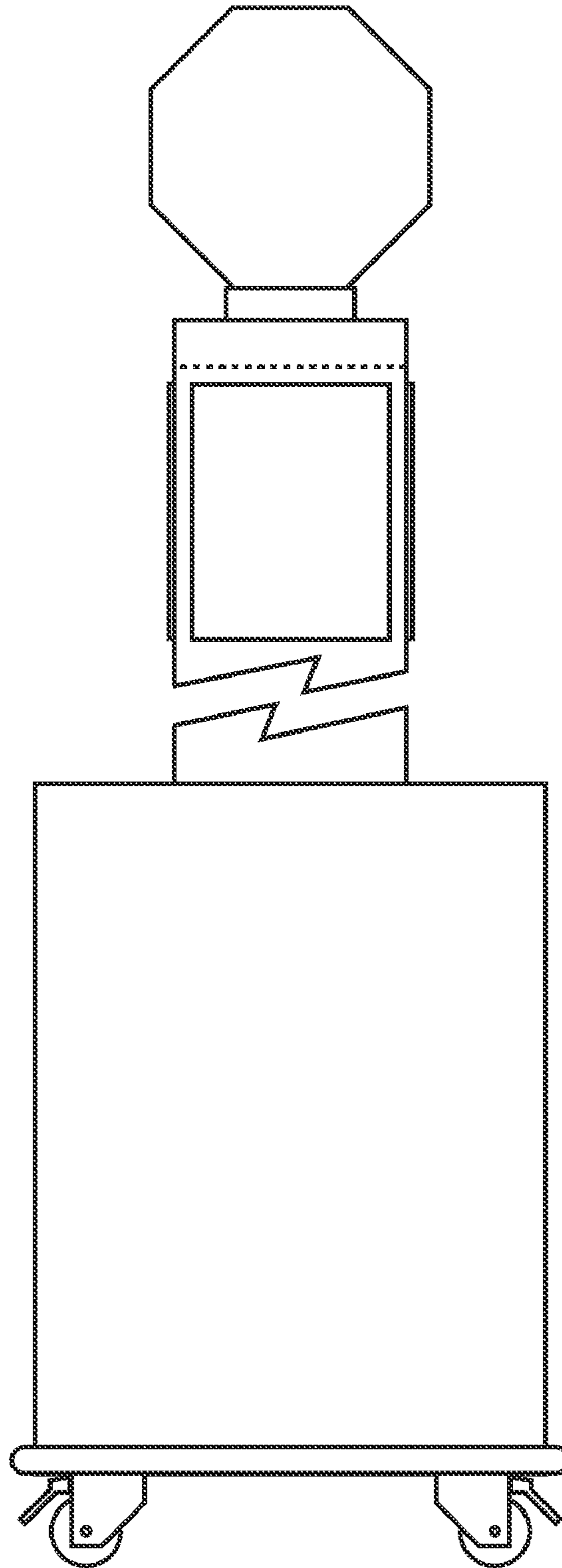


FIG. 11

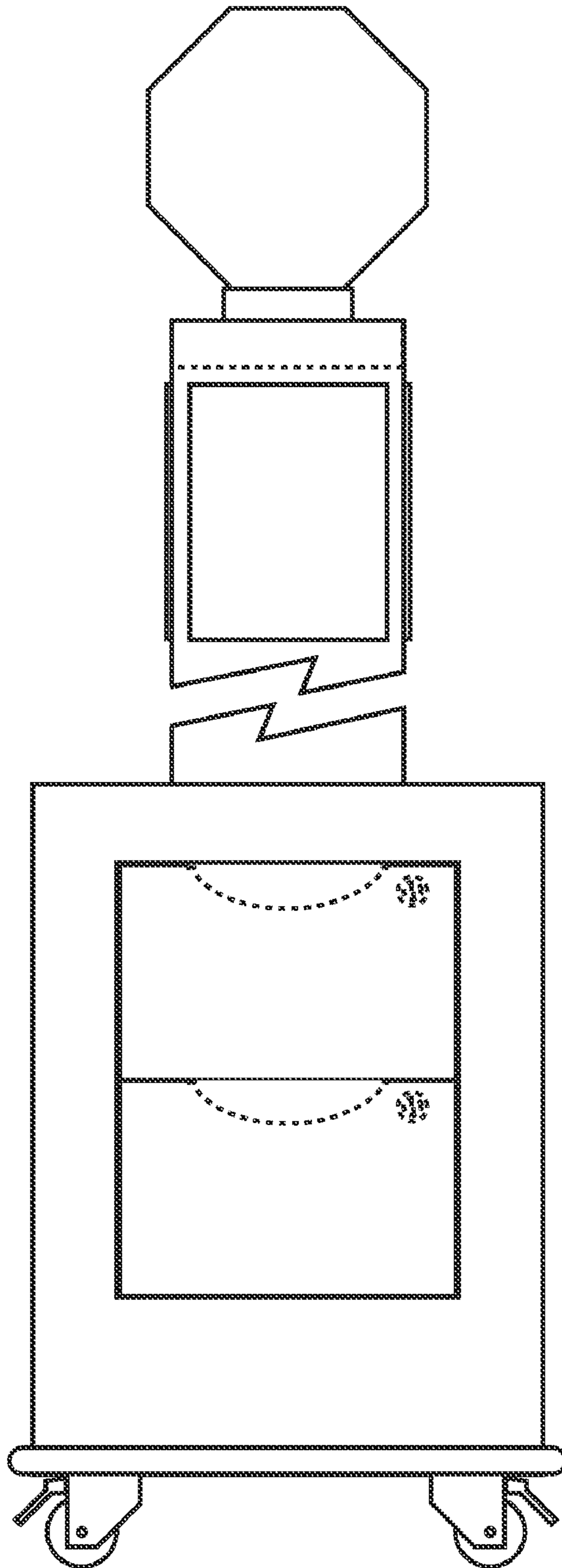


FIG. 12

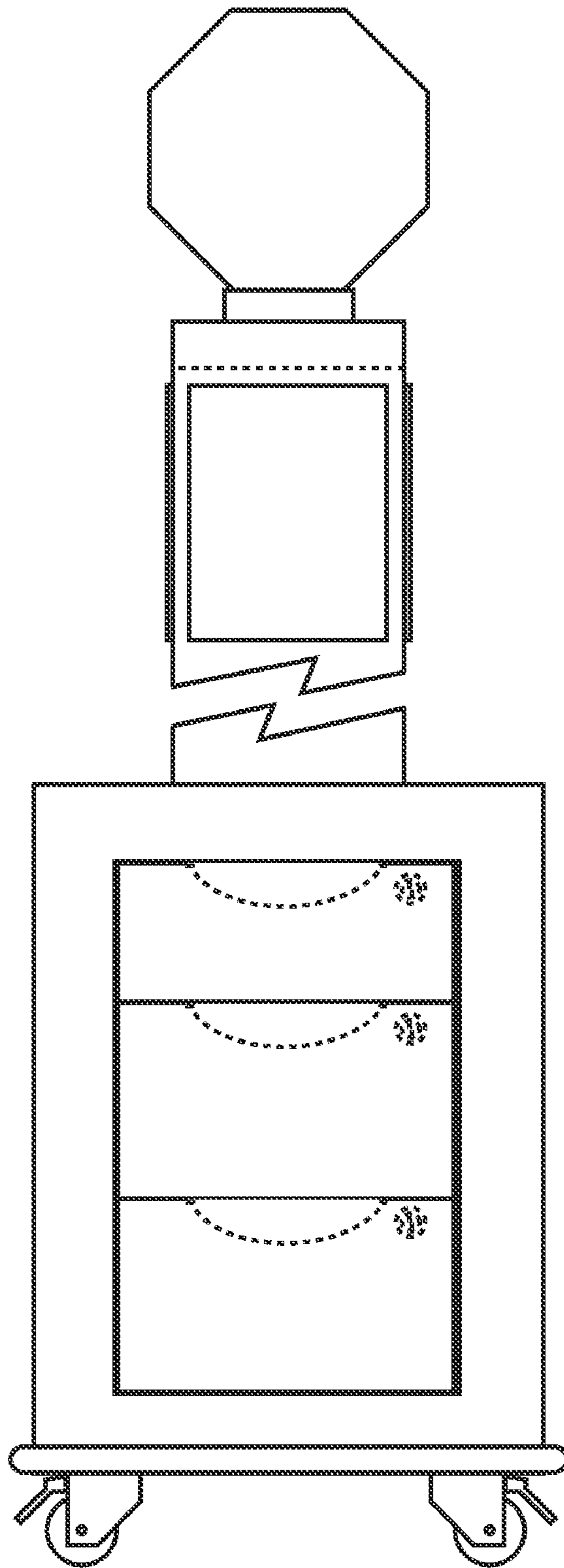


FIG. 13

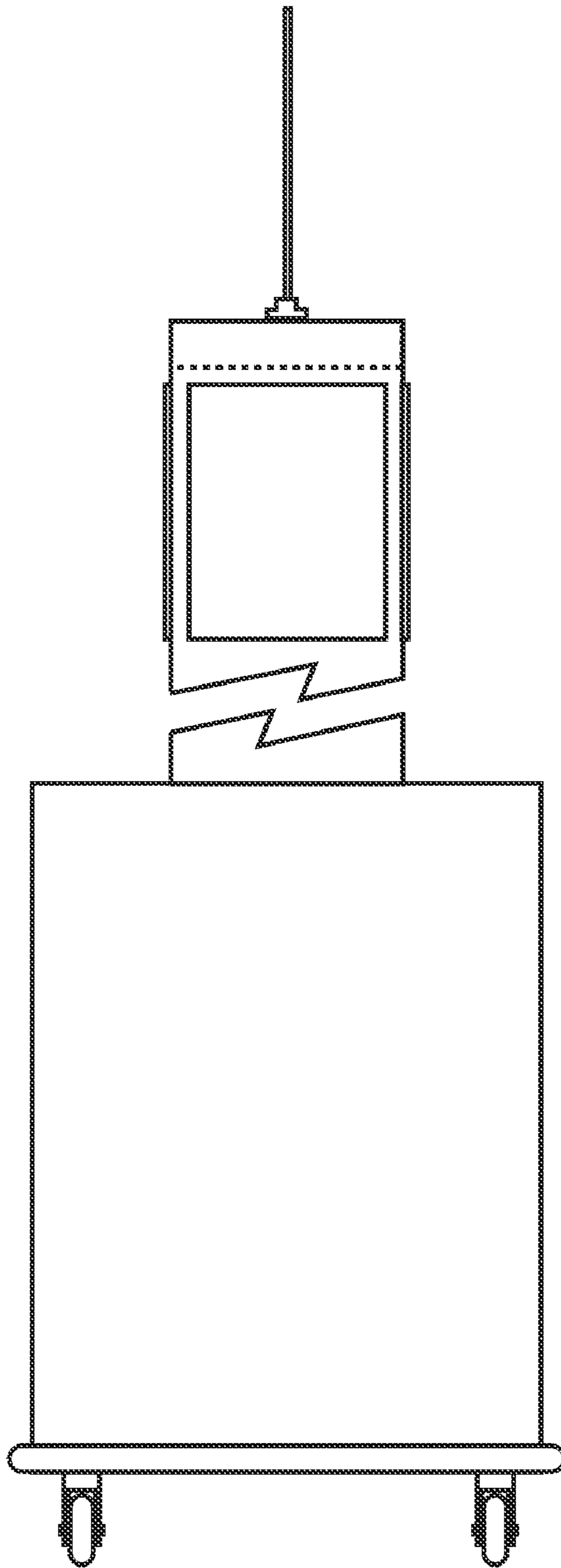


FIG. 14

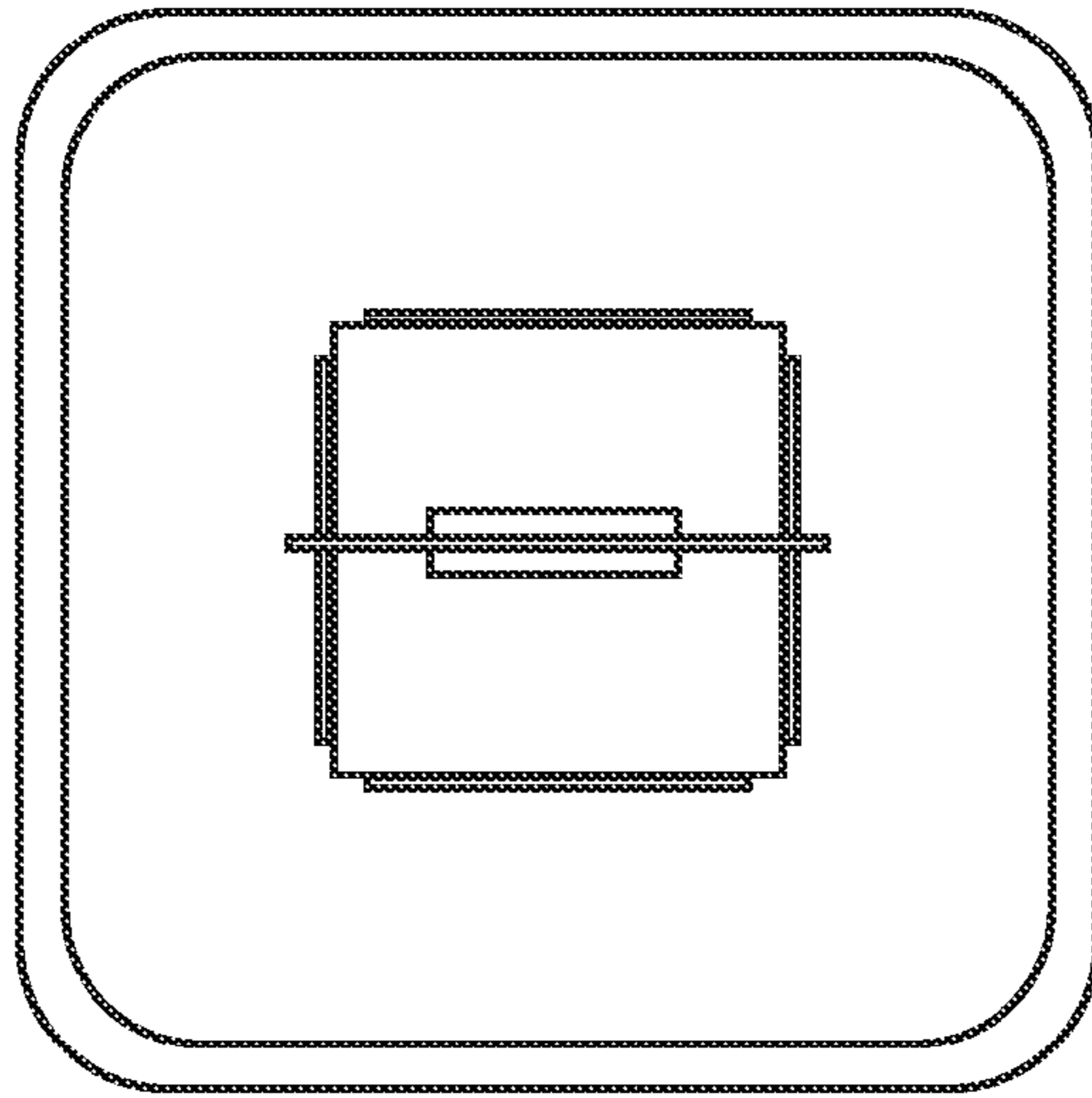


FIG. 15