



US00D654164S

(12) **United States Design Patent**
Cole et al.

(10) **Patent No.:** **US D654,164 S**

(45) **Date of Patent:** **** Feb. 14, 2012**

(54) **WOUND DRAINAGE APPARATUS FOR MEDICAL PURPOSES**

(75) Inventors: **Nick Cole, Romsey (GB); Gareth Thomas, Romsey (GB)**

(73) Assignee: **Talley Group Limited, Hampshire (GB)**

(**) Term: **14 Years**

(21) Appl. No.: **29/302,257**

(22) Filed: **Jan. 14, 2008**

(30) **Foreign Application Priority Data**

Jul. 12, 2007 (EP) 000758677

(51) **LOC (9) Cl.** **24-01**

(52) **U.S. Cl.** **D24/108**

(58) **Field of Classification Search** D24/111,
D24/107, 108, 129, 109; 604/30, 33, 35,
604/154, 155, 74, 76; 600/573

See application file for complete search history.

(56) **References Cited**

U.S. PATENT DOCUMENTS

| | | | | |
|--------------|---------|----------------|-------|---------|
| D312,879 S * | 12/1990 | Aten | | D24/111 |
| D353,667 S * | 12/1994 | Tsubota et al. | | D24/111 |
| D367,528 S * | 2/1996 | Marston et al. | | D24/111 |
| D380,546 S * | 7/1997 | Clegg et al. | | D24/111 |
| D468,822 S * | 1/2003 | Greter | | D24/109 |

| | | | | |
|-------------------|---------|-----------------|-------|---------|
| D469,176 S * | 1/2003 | Hall et al. | | D24/111 |
| D477,869 S * | 7/2003 | Vijfvinkel | | D24/111 |
| D512,151 S * | 11/2005 | Ward et al. | | D24/186 |
| D565,177 S * | 3/2008 | Locke et al. | | D24/111 |
| D580,046 S * | 11/2008 | Pukall et al. | | D24/108 |
| D581,042 S * | 11/2008 | Randolph et al. | | D24/111 |
| D581,521 S * | 11/2008 | Locke et al. | | D24/111 |
| D581,522 S * | 11/2008 | Randolph et al. | | D24/111 |
| D587,364 S * | 2/2009 | Pukall et al. | | D24/108 |
| D588,262 S * | 3/2009 | Pukall et al. | | D24/111 |
| D590,934 S * | 4/2009 | Randolph et al. | | D24/107 |
| 2004/0006319 A1 * | 1/2004 | Lina et al. | | 604/304 |

* cited by examiner

Primary Examiner — Ian Simmons

Assistant Examiner — Carissa C Fitts

(74) *Attorney, Agent, or Firm* — Z. Peter Sawicki; Westman, Champlin & Kelly, P.A.

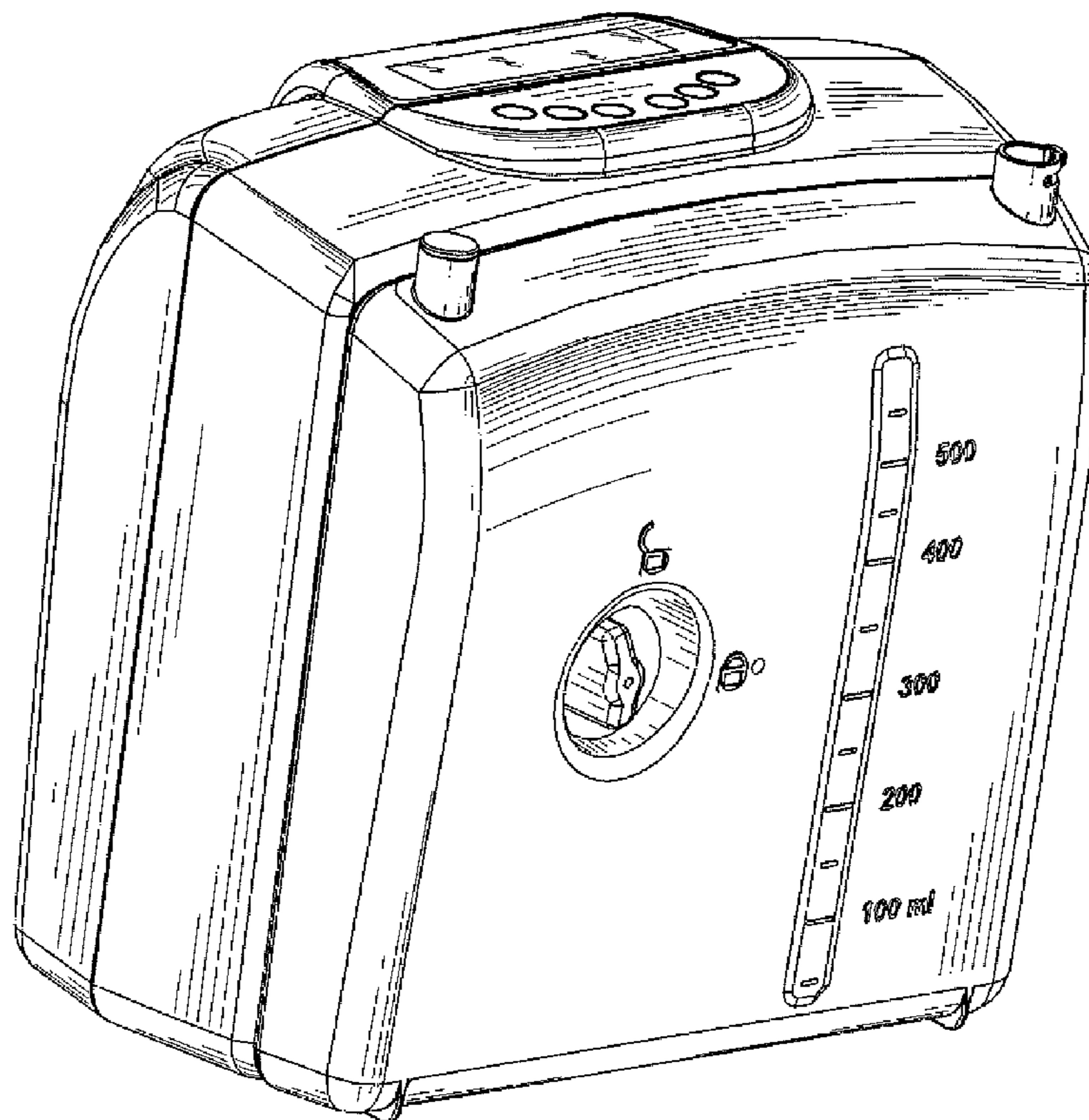
(57) **CLAIM**

The ornamental design for a wound drainage apparatus for medical purposes, as shown and described.

DESCRIPTION

FIG. 1 is a perspective view of the invention;
FIG. 2 is a perspective view from an opposite side of FIG. 1;
FIG. 3 is a top view thereof;
FIG. 4 is a bottom view thereof;
FIG. 5 is a front view thereof;
FIG. 6 is a left side view thereof; and,
FIG. 7 is a rear view thereof.

1 Claim, 6 Drawing Sheets



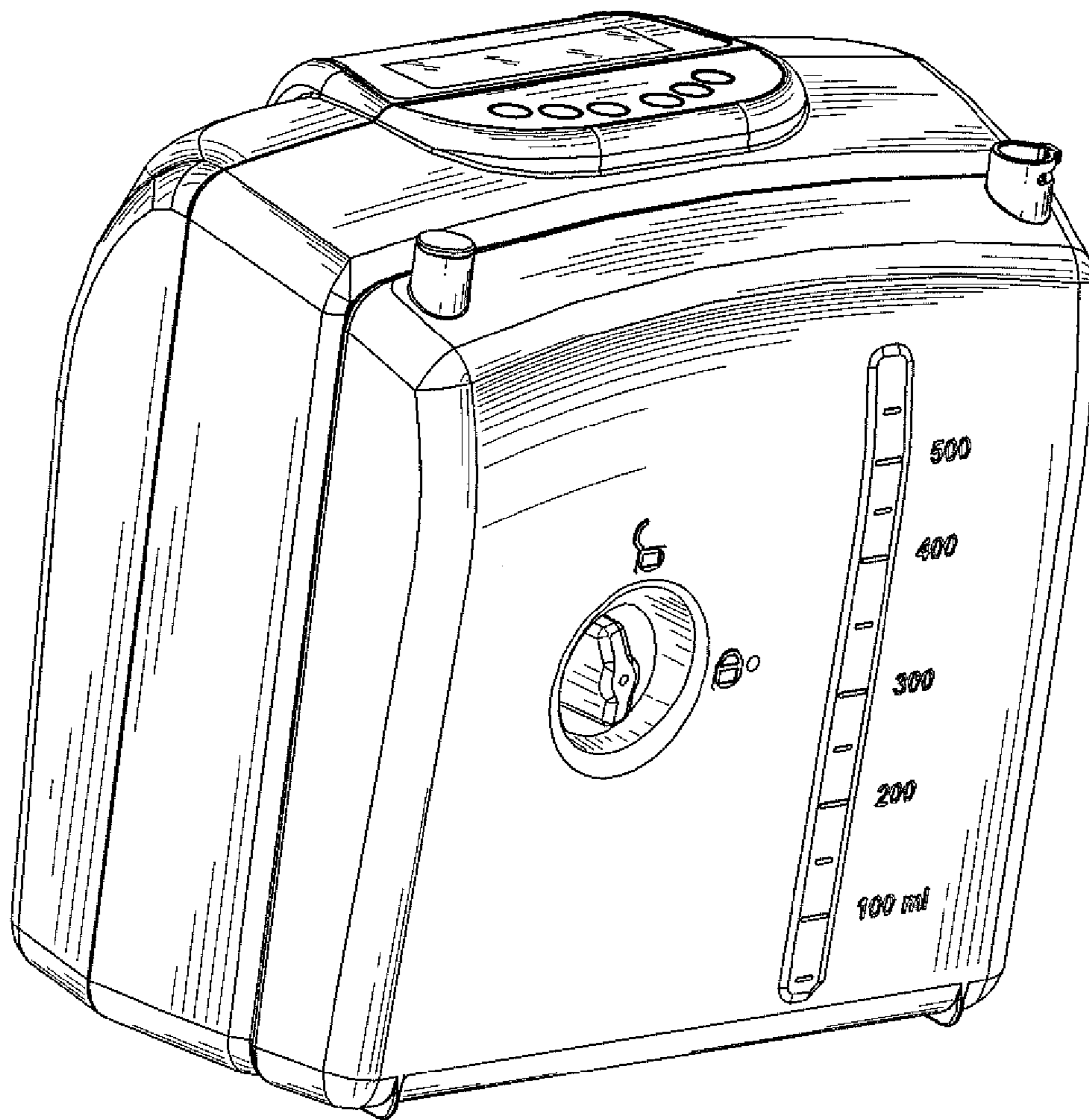


FIG. 1



FIG. 2

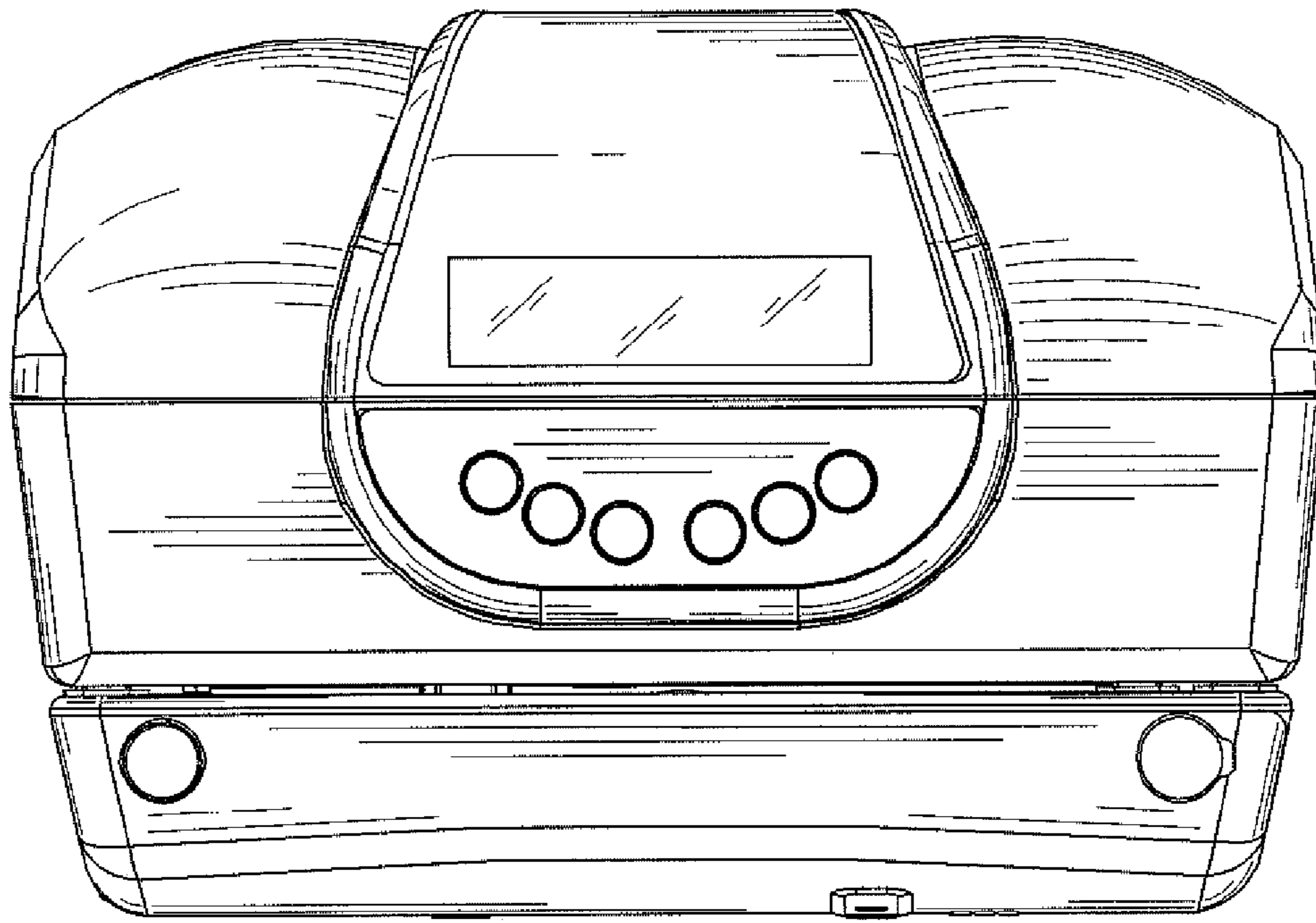


FIG. 3

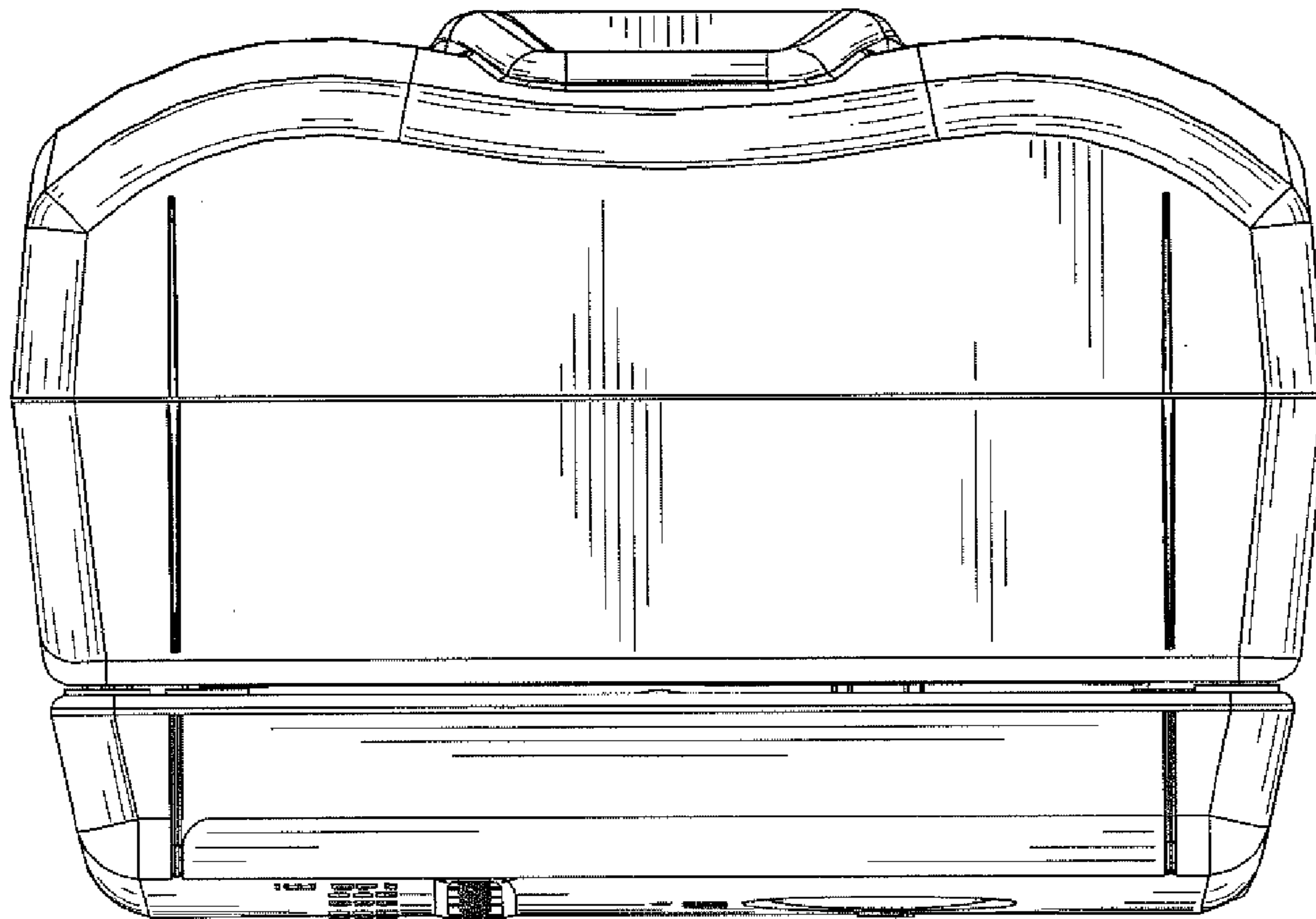


FIG. 4

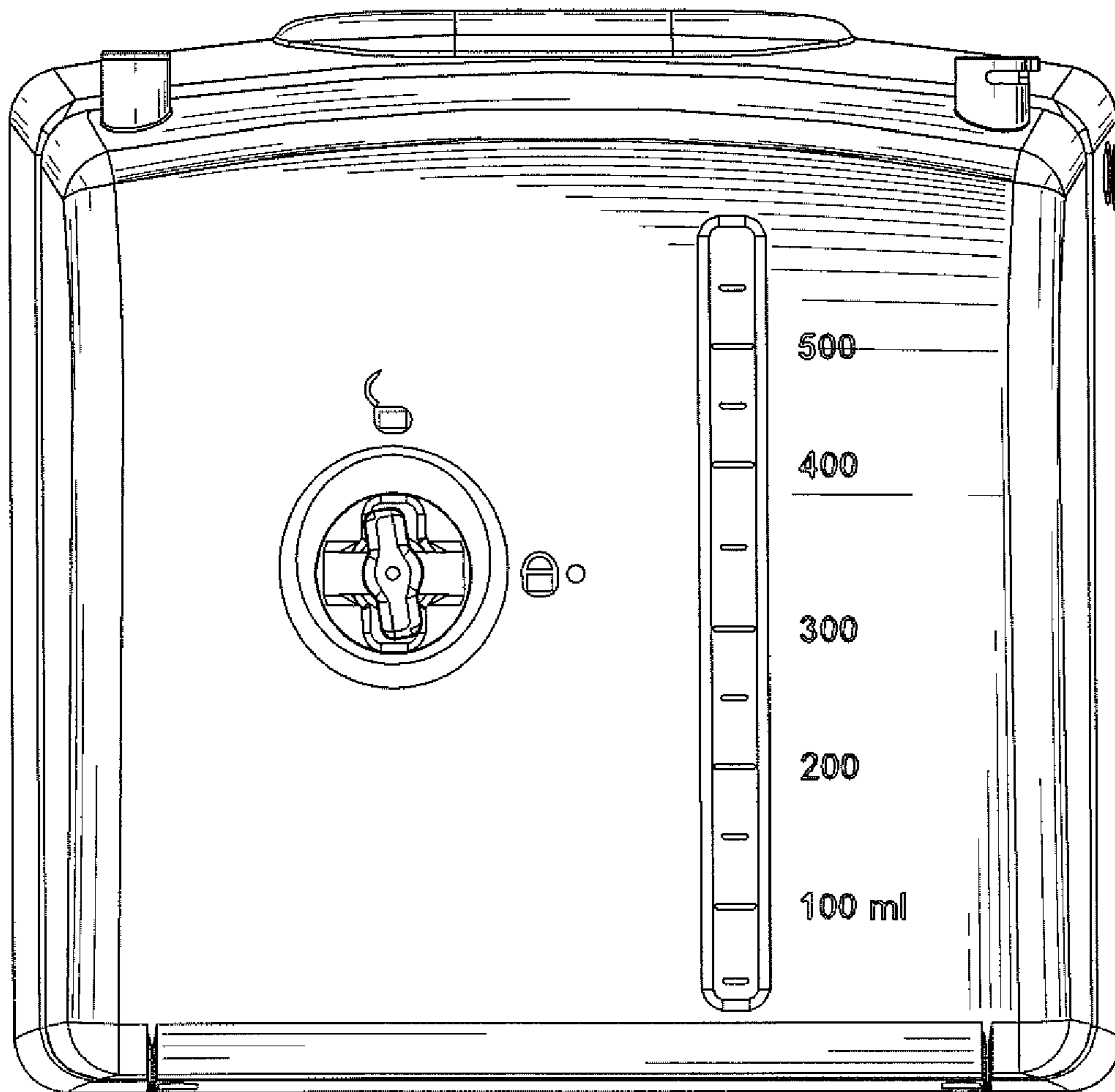


FIG. 5

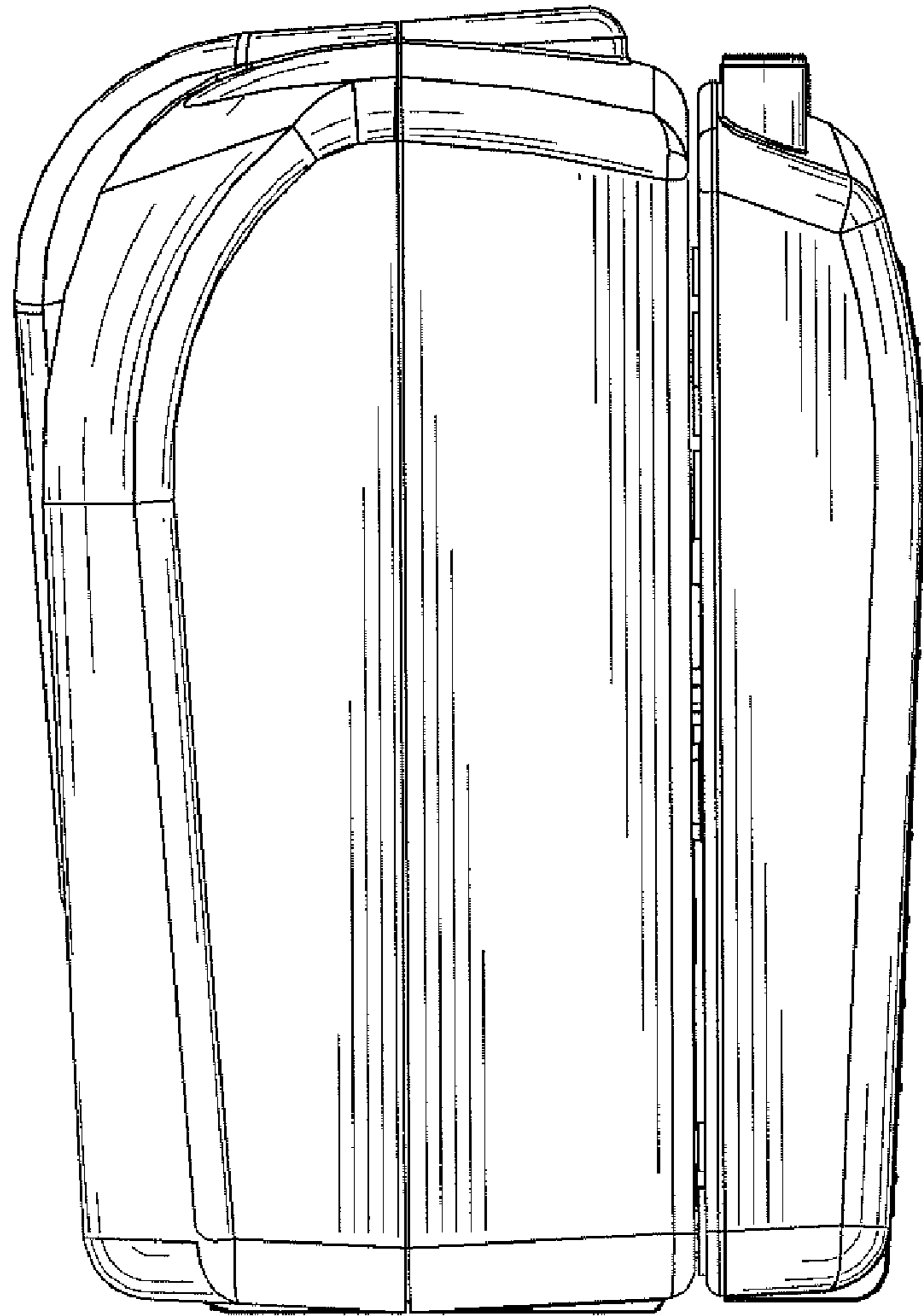


FIG. 6

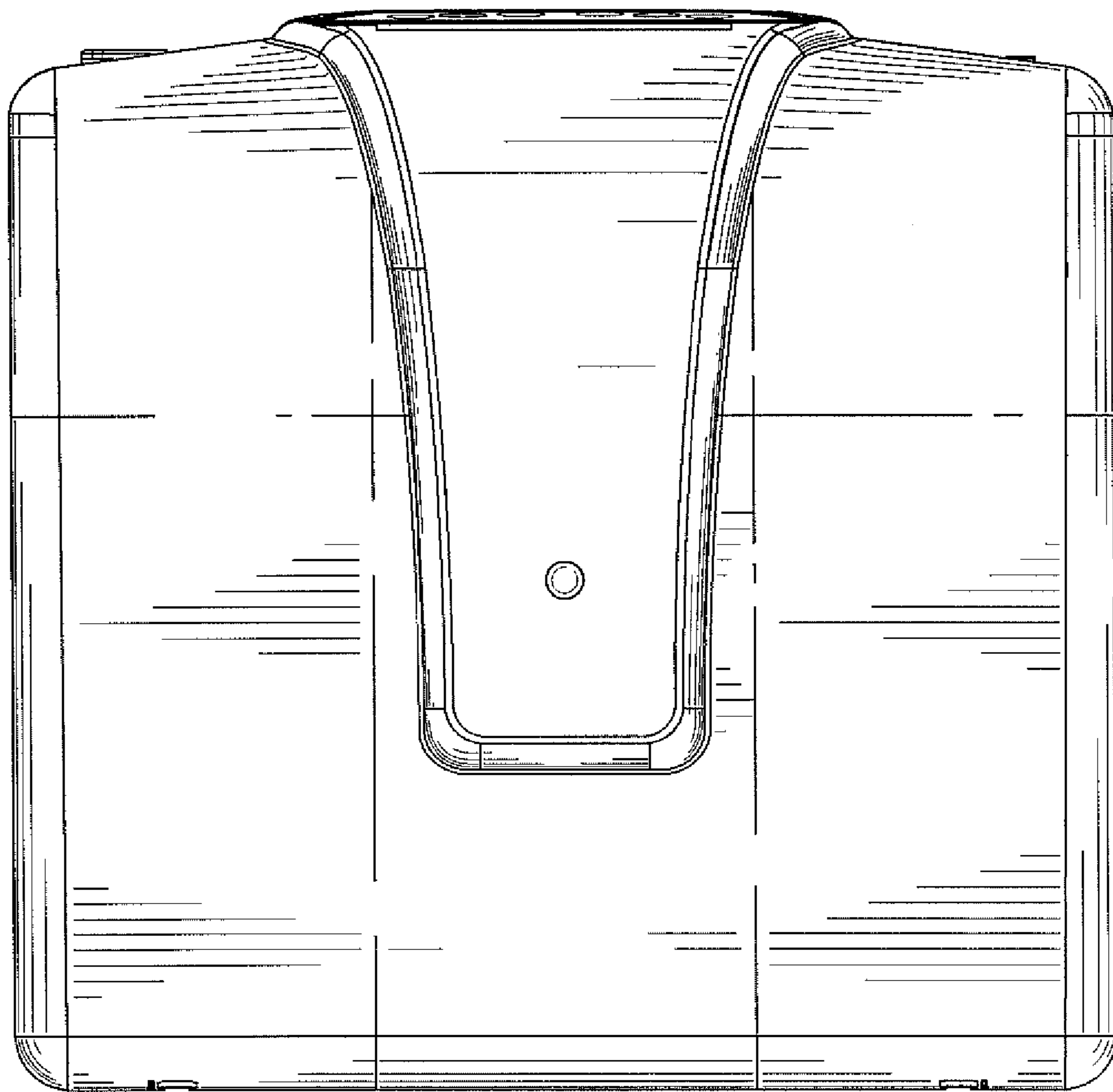


FIG. 7