



US00D654162S

(12) **United States Design Patent**  
**Sykes**

(10) **Patent No.:** **US D654,162 S**

(45) **Date of Patent:** **\*\* Feb. 14, 2012**

(54) **OUTWARD MOUNTED CRAWLSPACE VENT COVER**

(76) Inventor: **William G. Sykes**, Virginia Beach, VA (US)

(\*\*) Term: **14 Years**

(21) Appl. No.: **29/314,936**

(22) Filed: **May 12, 2009**

(51) **LOC (9) Cl.** ..... **23-04**

(52) **U.S. Cl.** ..... **D23/393**

(58) **Field of Classification Search** ..... D23/385-389, D23/393, 392, 370, 351, 354, 341, 397; 454/309, 454/275-277, 284, 287-291; D7/550.1, D7/553.2, 610, 354, 554.3, 357, 553.3, 555, D7/359; D9/759, 760, 424, 425, 432; 229/407; 99/422, 425, 426, 444-446; 220/573.1, 912; D12/218; D15/150-152

See application file for complete search history.

(56) **References Cited**

**U.S. PATENT DOCUMENTS**

1,351,285	A *	8/1920	Chess	.....	D7/359
D192,036	S *	1/1962	Raymond	.....	D7/554.3
3,220,079	A *	11/1965	Aggson	.....	454/276
D209,605	S *	12/1967	Zoeller et al.	.....	D7/359
D243,914	S *	4/1977	Marubashi et al.	.....	D9/425
4,349,124	A *	9/1982	Faller	.....	D7/554.3
D268,981	S *	5/1983	Monson	.....	D7/359

4,821,628	A *	4/1989	Sarazen et al.	.....	454/276
D339,415	S *	9/1993	Kiras	.....	D23/397
D379,138	S *	5/1997	Carlson	.....	D9/432
D393,707	S *	4/1998	Kelly	.....	D23/386
D394,901	S *	6/1998	Governale et al.	.....	D23/354
D463,202	S *	9/2002	Smith	.....	D7/359
D469,172	S *	1/2003	Warren et al.	.....	D23/387
D471,397	S *	3/2003	Wright	.....	D7/359
6,835,129	B1 *	12/2004	Harris	.....	454/289
D521,630	S *	5/2006	Achen	.....	D23/386
7,097,557	B2 *	8/2006	Kutschman	.....	454/276
D569,676	S *	5/2008	Millsap et al.	.....	D7/354

\* cited by examiner

*Primary Examiner* — David Muller

(74) *Attorney, Agent, or Firm* — William G. Sykes

(57) **CLAIM**

The ornamental design for an outward mounted crawlspace vent cover, as shown and described.

**DESCRIPTION**

FIG. 1 is a front perspective view an outward mounted crawl space vent cover showing my new design;

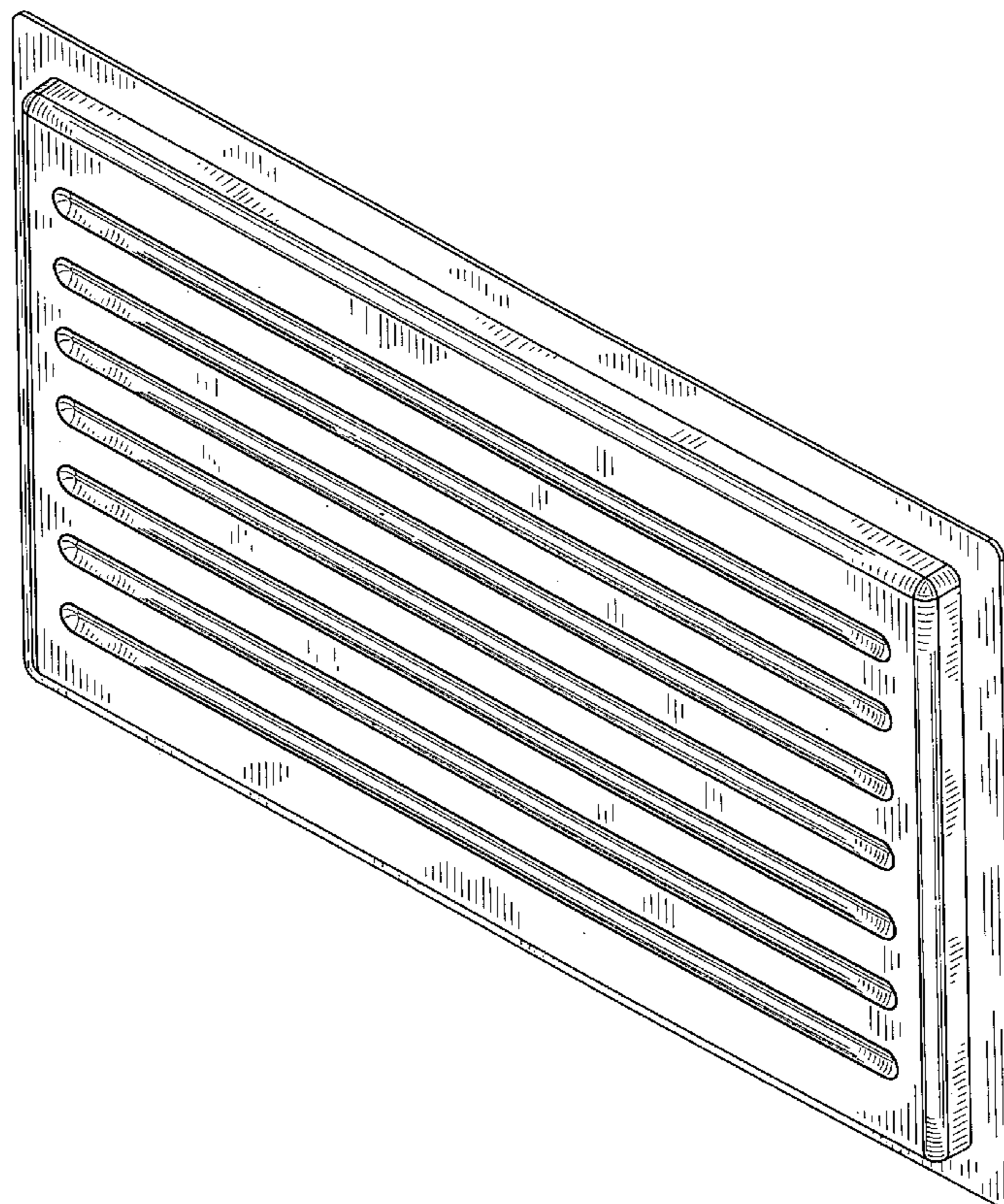
FIG. 2 is a front view thereof;

FIG. 3 is a top view thereof, where as the bottom is a mirror image;

FIG. 4 is a right side view thereof, where as the left side view is a mirror image; and,

FIG. 5 is a back view thereof.

**1 Claim, 5 Drawing Sheets**



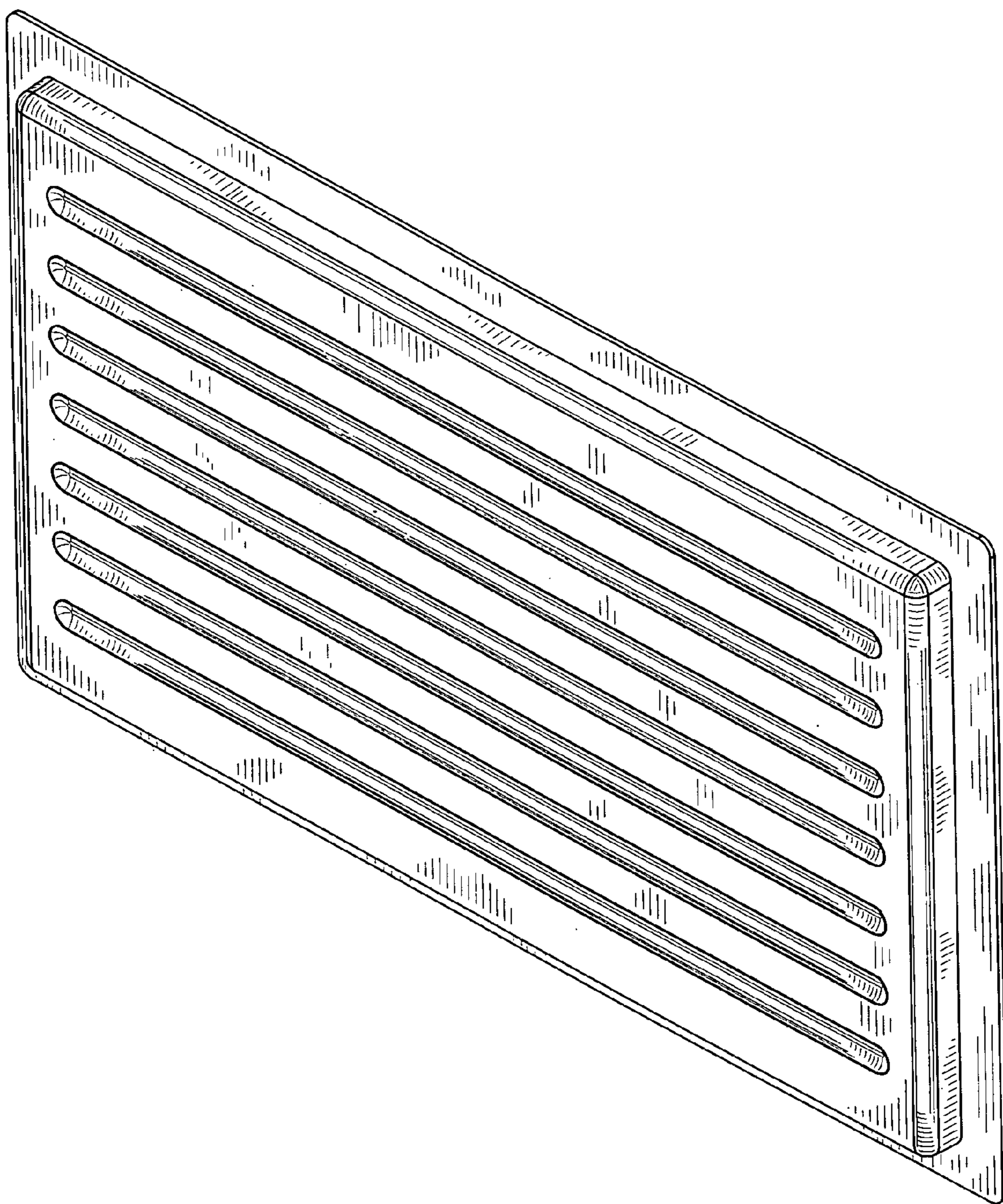


Fig. 1

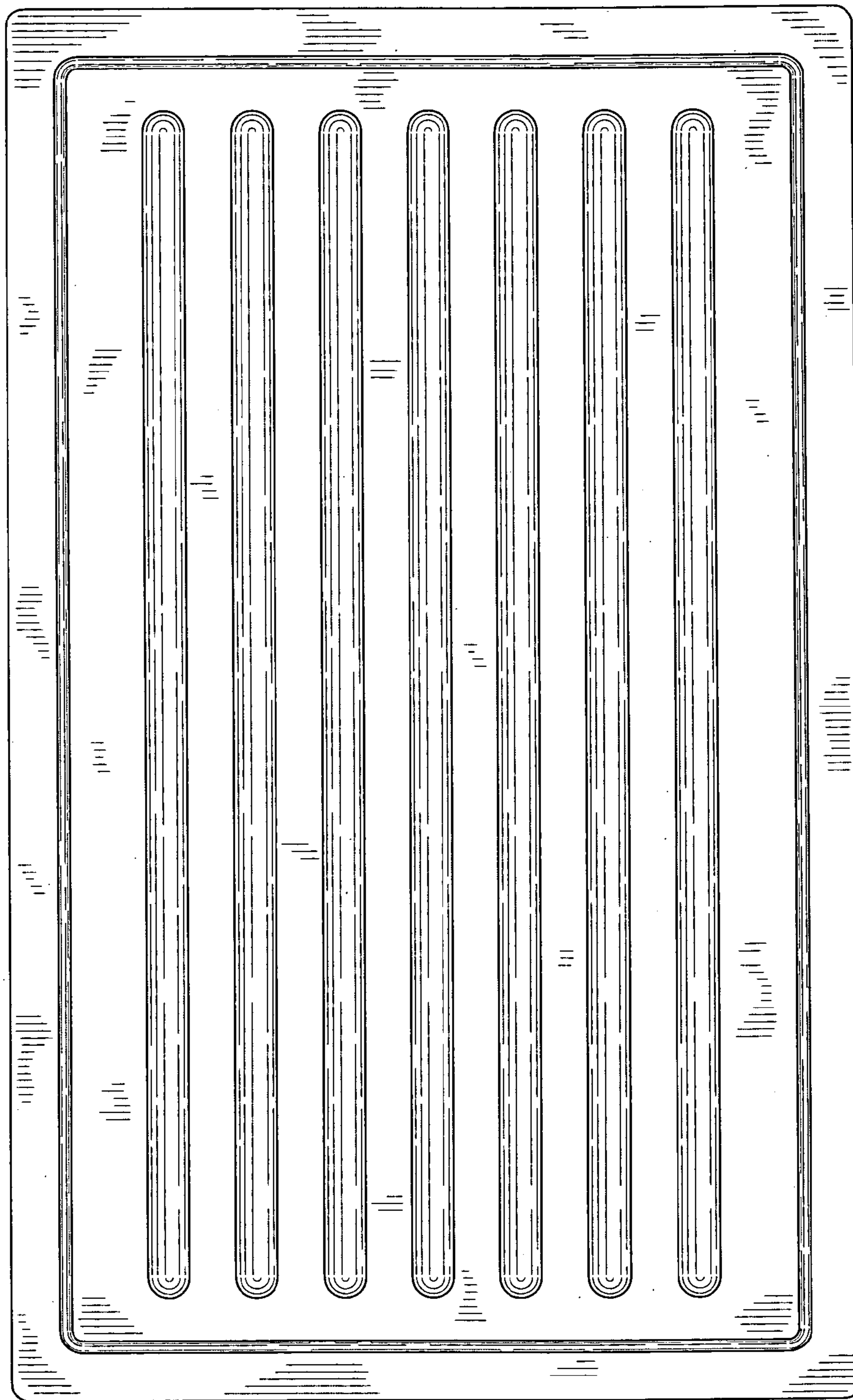


Fig. 2

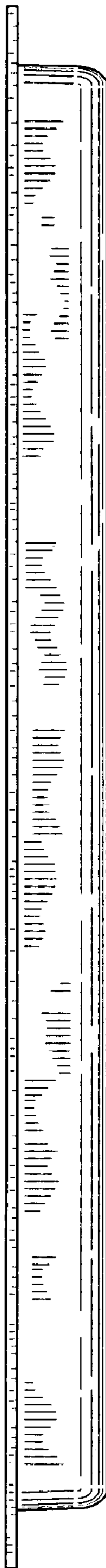


Fig. 3

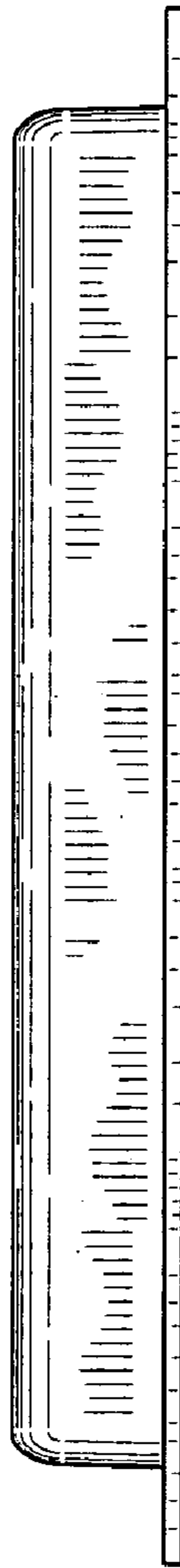


Fig. 4

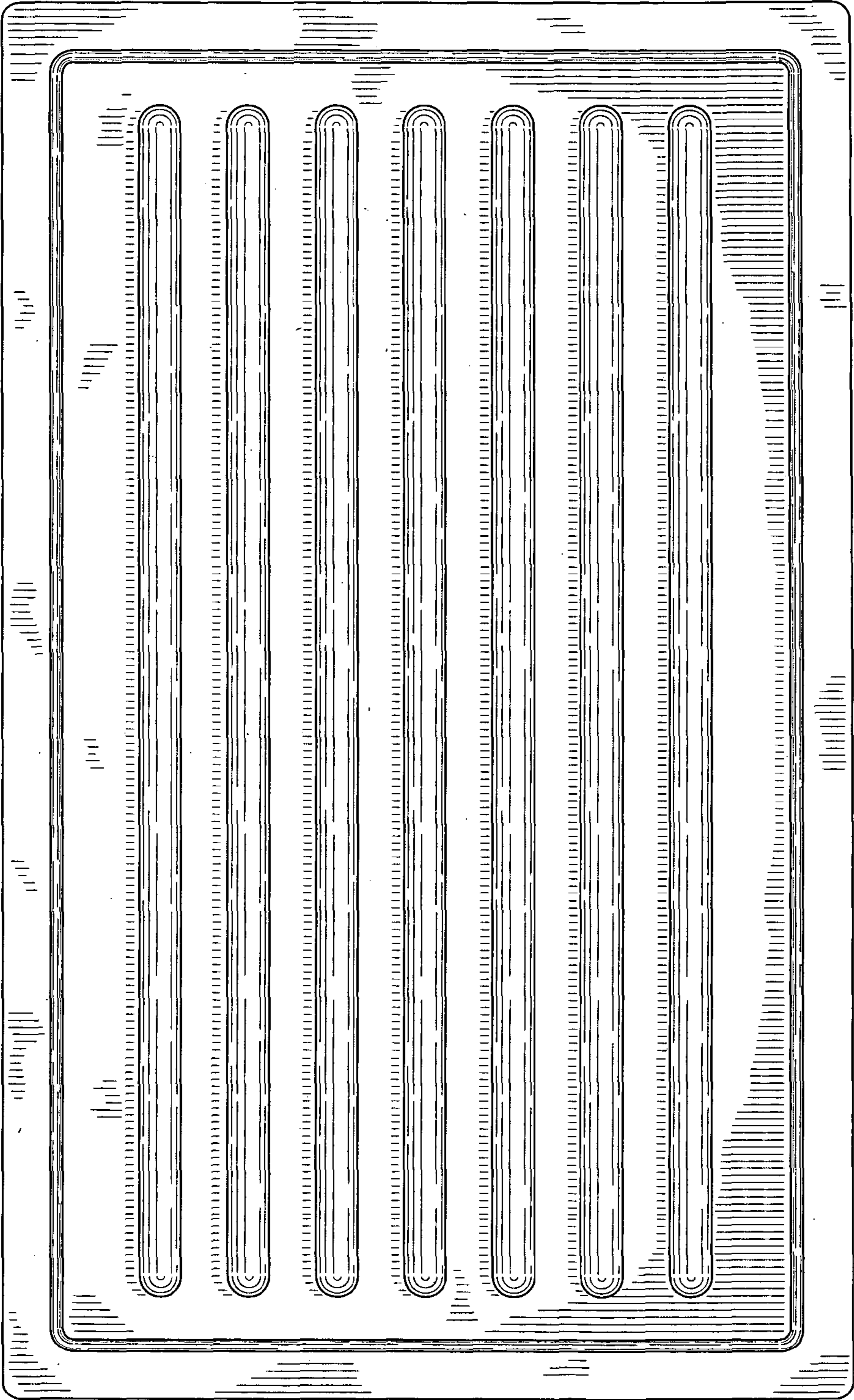


Fig. 5