



US00D654161S

(12) **United States Design Patent**  
**Holland et al.**

(10) **Patent No.:** **US D654,161 S**

(45) **Date of Patent:** **\*\* Feb. 14, 2012**

(54) **ROOF VENT AND SEALING ELEMENT THEREFOR**

(75) Inventors: **Robert Bradley Holland**, Rowlett, TX (US); **Andrew Frederick Lindahl**, Plano, TX (US)

(73) Assignee: **Air Vent, Inc.**, Dallas, TX (US)

(\*\*) Term: **14 Years**

(21) Appl. No.: **29/355,461**

(22) Filed: **Feb. 8, 2010**

(51) **LOC (9) Cl.** ..... **23-04**

(52) **U.S. Cl.** ..... **D23/373**

(58) **Field of Classification Search** ..... D23/373, D23/393, 370, 371, 387, 391; 454/136, 141, 454/146, 143, 153, 162, 364-368, 250-253, 454/78, 260; 52/198, 199, 302.1, 57, 94, 52/95; D25/119, 164, 55, 141  
See application file for complete search history.

(56) **References Cited**

**U.S. PATENT DOCUMENTS**

4,573,291 A 3/1986 Hofmann  
4,817,506 A \* 4/1989 Cashman ..... 454/365  
4,924,761 A 5/1990 MacLeod et al.

(Continued)

**FOREIGN PATENT DOCUMENTS**

CA 2142804 8/1995

(Continued)

**OTHER PUBLICATIONS**

“Dentil Trim”, 2008 The Tapco Group, A Headwaters Company, [http://www.midamericabuilding.com/\\_architects/roofing/roofing.php](http://www.midamericabuilding.com/_architects/roofing/roofing.php).

(Continued)

*Primary Examiner* — Raphael Barkai  
*Assistant Examiner* — Randall Gholson

(74) *Attorney, Agent, or Firm* — Eckert Seamans Cherin & Mellott, LLC; Grant E. Coffield, Esquire

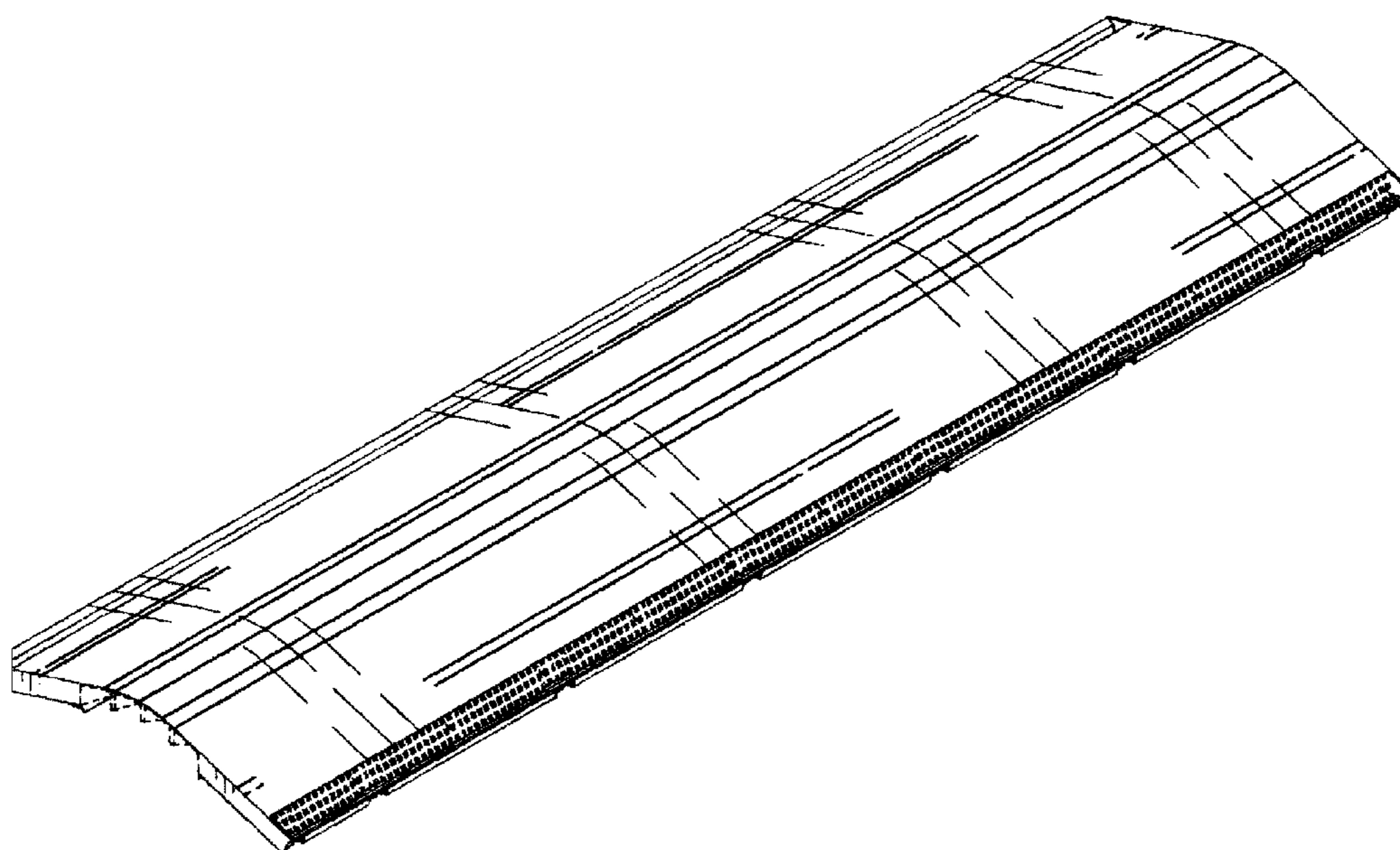
(57) **CLAIM**

The ornamental design for a roof vent and sealing element therefor, as shown and described.

**DESCRIPTION**

FIG. 1 is a top isometric view of a roof vent, in accordance with an embodiment of the invention;  
FIG. 2 is a bottom isometric view of the roof vent of FIG. 1;  
FIG. 3 is a top plan view of the roof vent of FIG. 1;  
FIG. 4 is a bottom plan view of the roof vent of FIG. 1;  
FIG. 5 is an end elevation view of the roof vent of FIG. 1;  
FIG. 6 is a side elevation view of the roof vent of FIG. 1;  
FIGS. 7-11 show the sealing element separately for ease of illustration;  
FIG. 7 is an isometric view of a sealing element for a roof vent, in accordance with an embodiment of the invention;  
FIG. 8 is a top plan view of the sealing element of FIG. 7;  
FIG. 9 is a bottom plan view of the sealing element of FIG. 7;  
FIG. 10 is an end elevation view of the sealing element of FIG. 7; and,  
FIG. 11 is a side elevation view of the sealing element of FIG. 7.  
The components shown in broken lines in the drawings are for illustrative purposes only and do not form a part of the claimed design.

**1 Claim, 7 Drawing Sheets**



# US D654,161 S

Page 2

## U.S. PATENT DOCUMENTS

4,957,037 A \* 9/1990 Tubbesing et al. .... 454/366  
5,122,095 A 6/1992 Wolfert  
6,164,021 A 12/2000 Huber et al.  
6,227,963 B1 5/2001 Headrick  
6,277,024 B1 \* 8/2001 Coulton ..... 454/365  
6,371,847 B2 4/2002 Headrick  
6,491,581 B1 \* 12/2002 Mankowski ..... 454/365  
6,598,184 B1 \* 7/2003 Merget et al. .... 714/47.1  
6,598,356 B1 7/2003 Sells  
6,793,574 B1 9/2004 Robinson  
6,881,144 B2 4/2005 Hansen et al.  
6,991,535 B2 1/2006 Ciepliski et al.  
D602,579 S \* 10/2009 Stone ..... D23/373  
7,805,889 B2 \* 10/2010 Barnett ..... 52/12  
8,024,897 B2 \* 9/2011 Polumbus et al. .... 52/199

8,069,621 B2 \* 12/2011 Mantyla et al. .... 52/198  
2005/0246972 A1 11/2005 Polumbus et al.  
2008/0287054 A1 11/2008 Carlson et al.

## FOREIGN PATENT DOCUMENTS

DE 44 04166 A1 8/1995  
DE 44 14211 A1 10/1995  
JP 11-350667 12/1999  
JP 2003-166322 6/2003

## OTHER PUBLICATIONS

“Ridge Vents, Ridge Masters, Hip Masters”, Ridge Vents, Ridge Master, Hip Master Roof Ventilation, 2009 Tapco Europe Ltd., <http://www.tapcoeuropa.com/ridgevents.htm>.  
“Cor-A-Vent V-300 Ridge Ventilation System”, Cor-A-Vent : V-300, <http://www.cor-a-vent.com/v300.cfm>.

\* cited by examiner

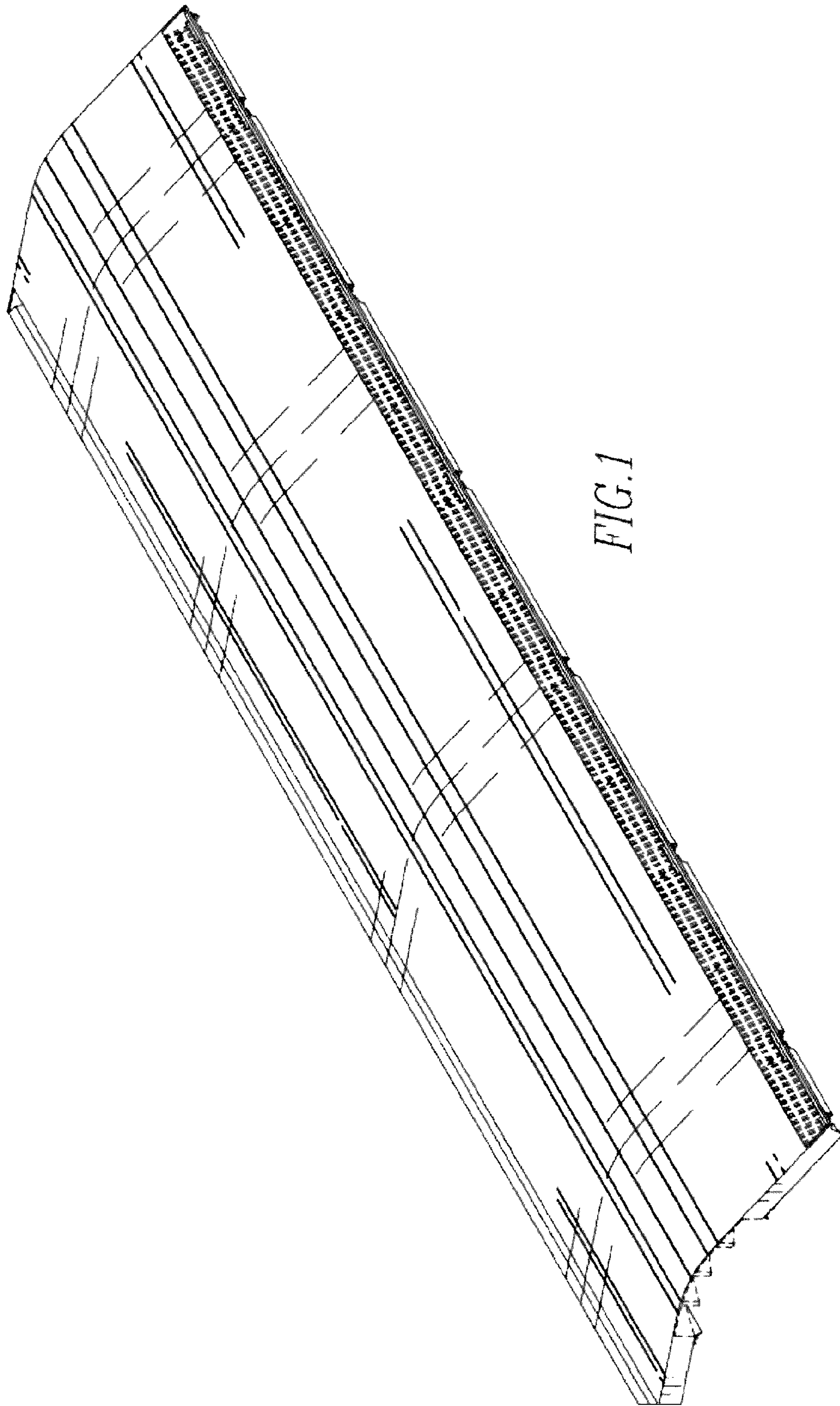


FIG. 1

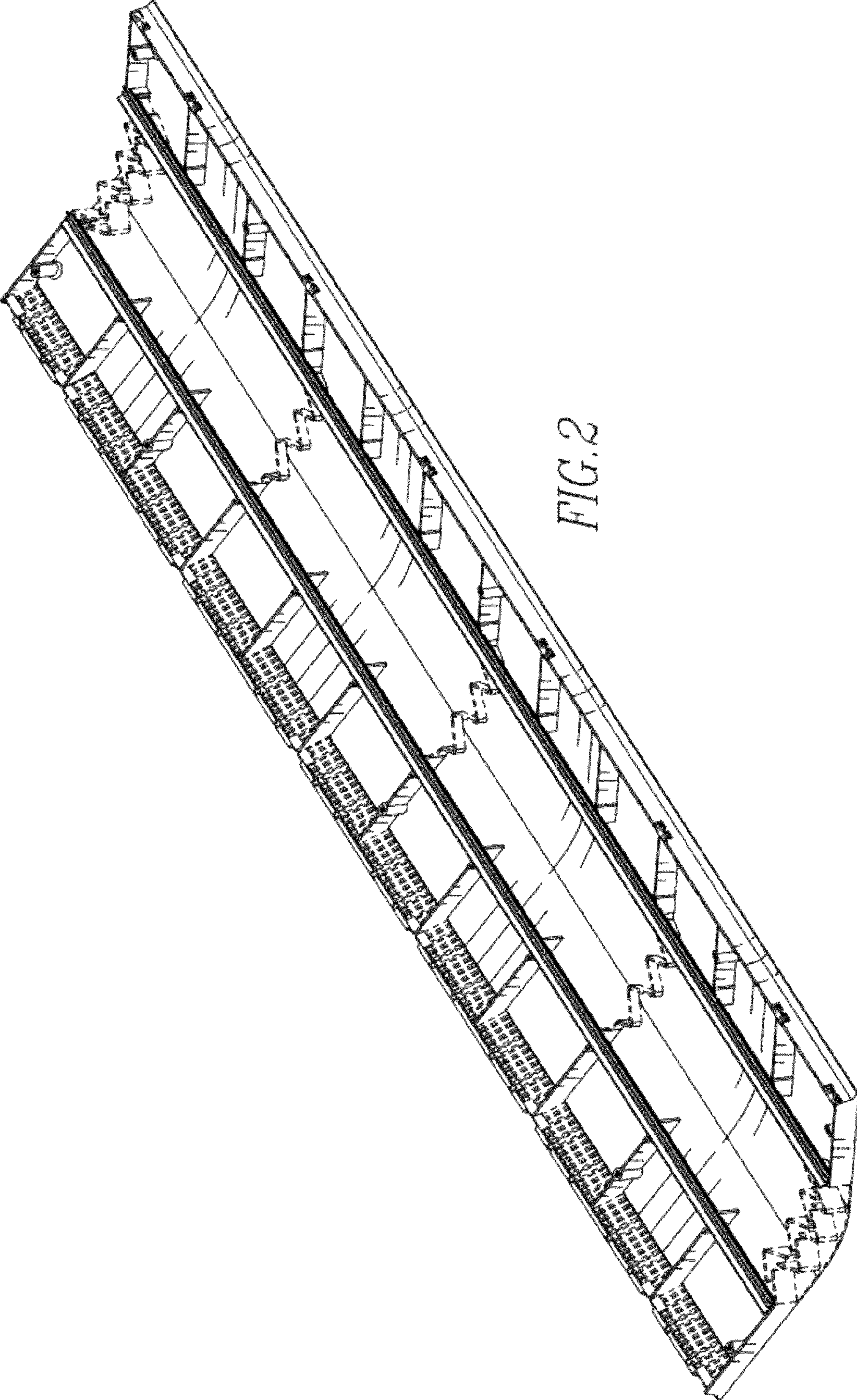


FIG. 2

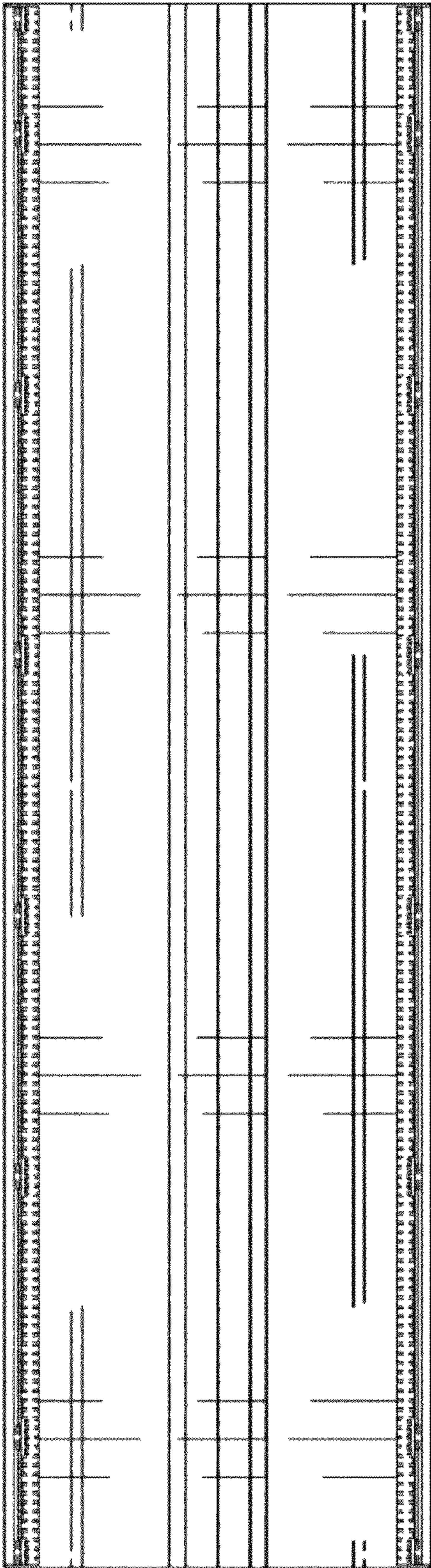


FIG. 3

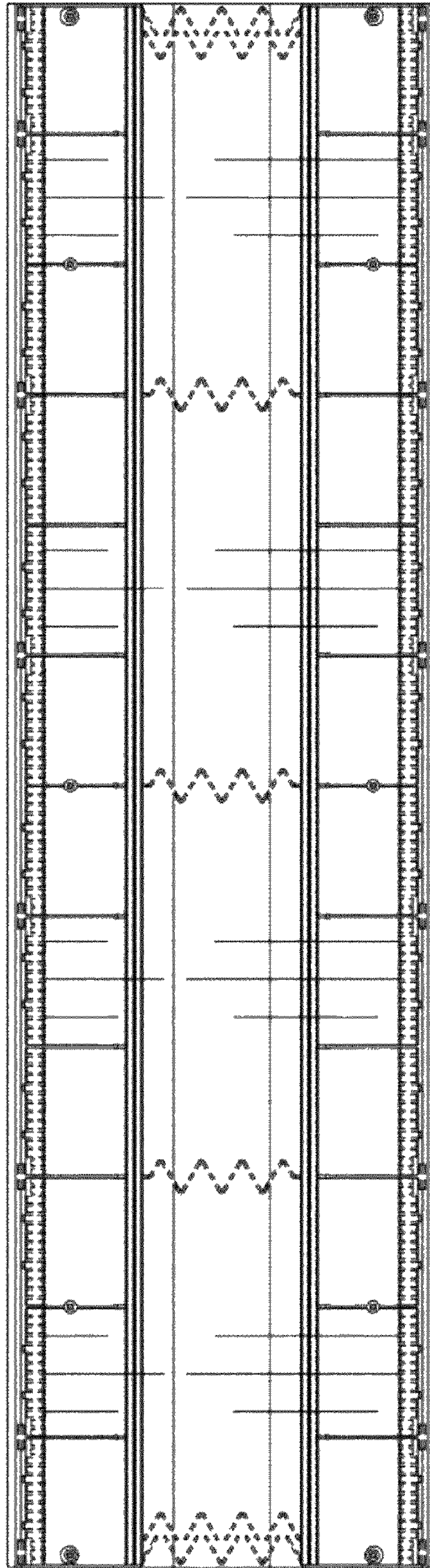


FIG. 4

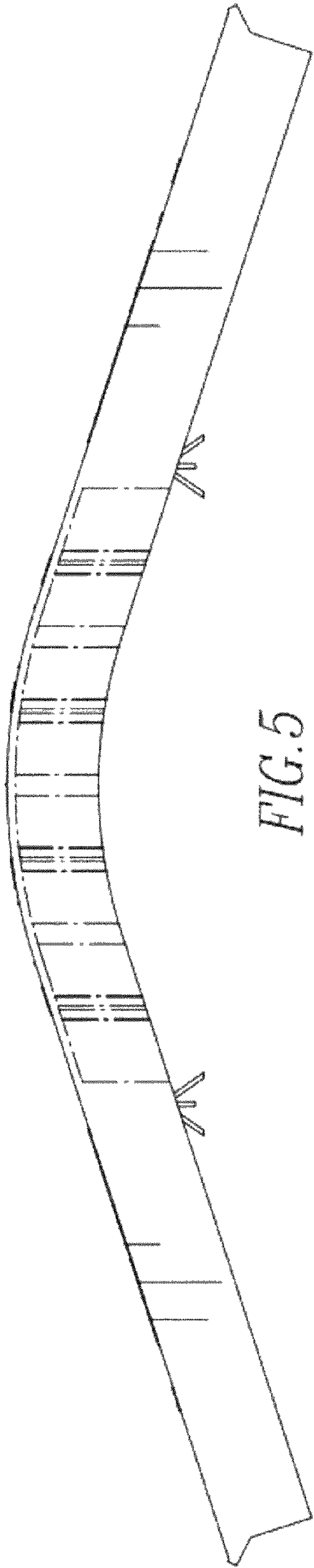


FIG. 5

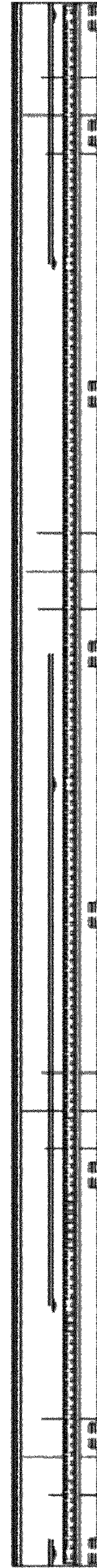


FIG. 6

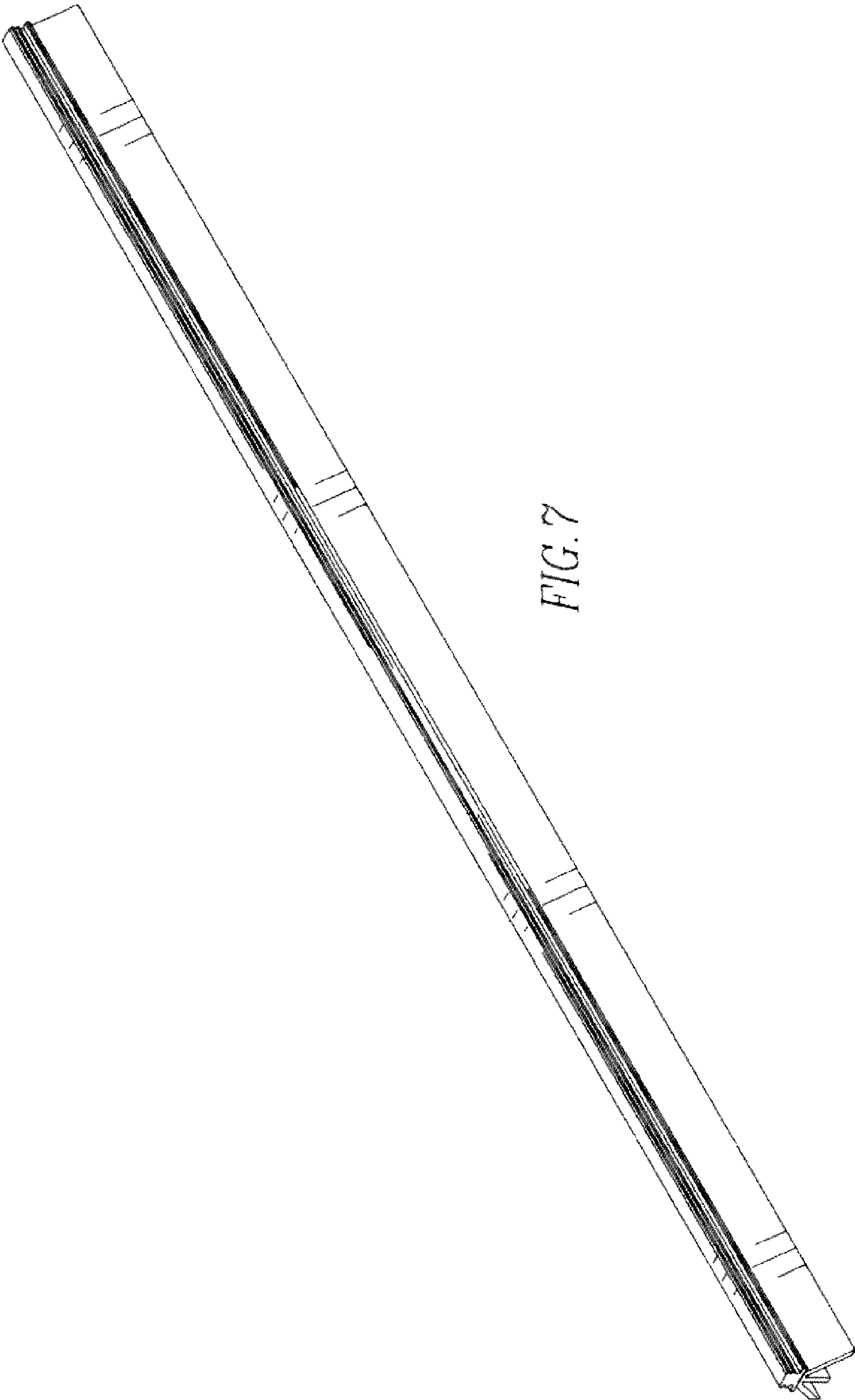
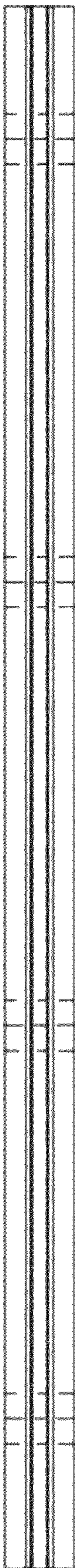
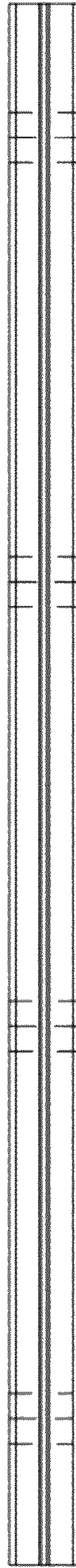


FIG. 7



*FIG. 8*



*FIG. 9*



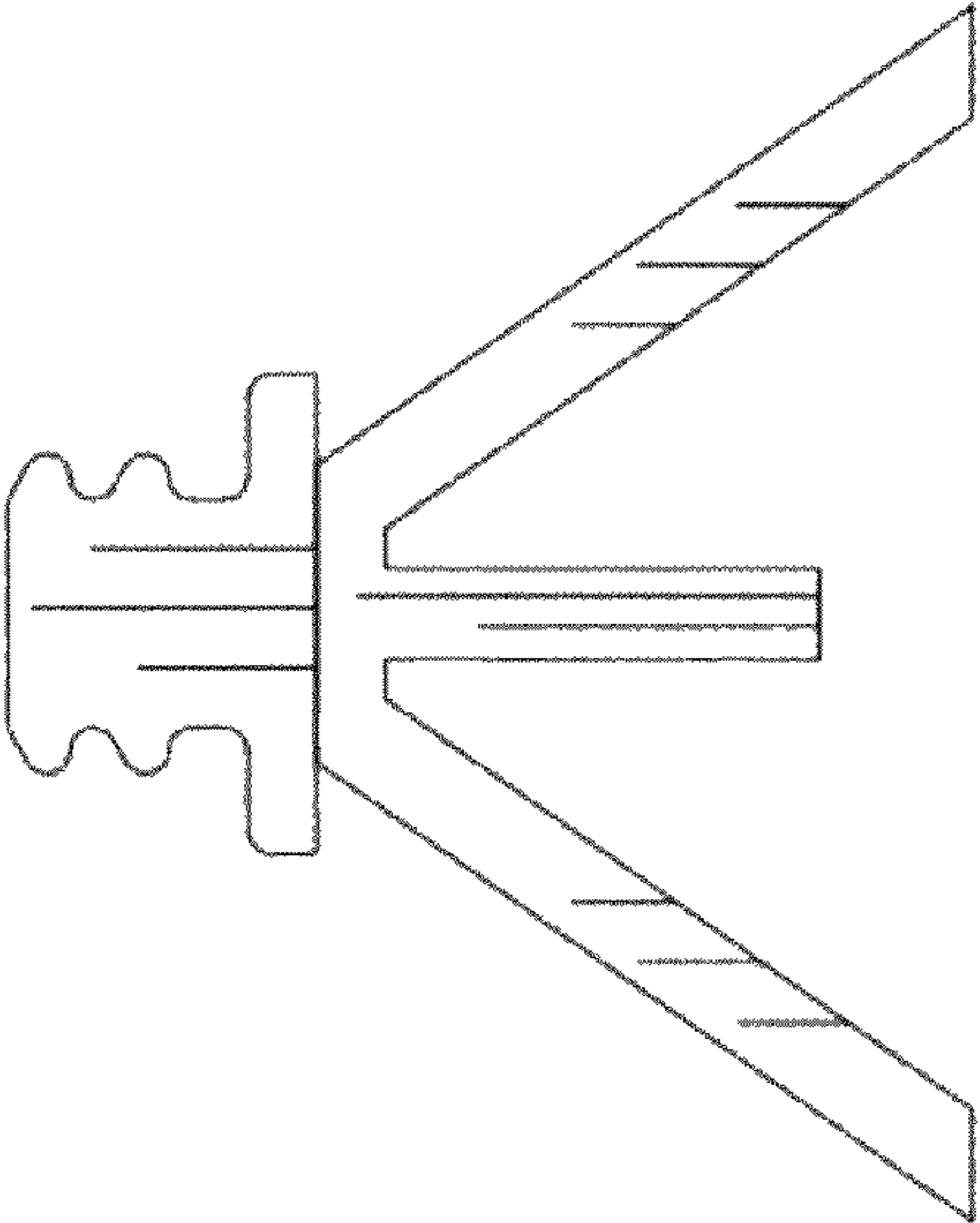


FIG. 10

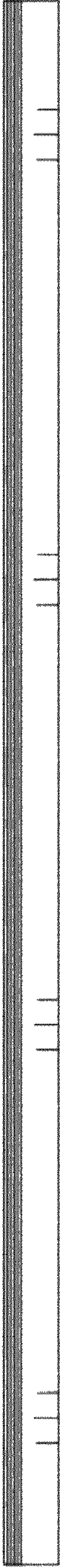


FIG. 11