



US00D654160S

(12) **United States Design Patent**
Yomtov

(10) **Patent No.:** **US D654,160 S**

(45) **Date of Patent:** **** Feb. 14, 2012**

(54) **VAPORIZER HEATING ASSEMBLY**

(76) Inventor: **Amir Yomtov**, Boca Raton, FL (US)

(**) Term: **14 Years**

(21) Appl. No.: **29/386,670**

(22) Filed: **Mar. 3, 2011**

(51) **LOC (9) Cl.** **23-04**

(52) **U.S. Cl.** **D23/360**

(58) **Field of Classification Search** D23/355-366,
D23/352, 369, 332, 333, 335, 336, 342, 351;
422/120, 122; 55/356, 473, 504; 96/97;
D14/188, 170, 172; 261/DIG. 17, DIG. 65,
261/DIG. 88, DIG. 31; D18/34.6

See application file for complete search history.

(56) **References Cited**

U.S. PATENT DOCUMENTS

D446,849 S *	8/2001	Weinberg	D23/364
D497,897 S *	11/2004	Modschiedler	D14/172
D512,493 S *	12/2005	Haranaka	D23/355
D535,306 S *	1/2007	Tokioka	D14/188
D538,783 S *	3/2007	Lee	D14/188
D539,264 S *	3/2007	Kim et al.	D14/188
D539,883 S *	4/2007	Lee et al.	D23/351
D540,297 S *	4/2007	Kim et al.	D14/188
D582,887 S *	12/2008	Poandl	D14/172
D585,534 S *	1/2009	Chen	D23/356
D609,795 S *	2/2010	Yeung	D23/332
D619,236 S *	7/2010	Schlag et al.	D23/351
D634,729 S *	3/2011	Endo et al.	D14/188

* cited by examiner

Primary Examiner — David Muller

(74) *Attorney, Agent, or Firm* — The Smiley IP Law Group, P.A.; Scott D. Smiley

(57) **CLAIM**

The ornamental design for a vaporizer heating assembly, as shown and described.

DESCRIPTION

FIG. 1 is a perspective downward-looking top view of a vaporizer heating assembly according to the present invention;

FIG. 2 is a perspective bottom view of the vaporizer heating assembly of FIG. 1 according to the present invention;

FIG. 3 is top plan view of the vaporizer heating assembly of FIG. 1 according to the present invention;

FIG. 4 is bottom plan view of the vaporizer heating assembly of FIG. 1 according to the present invention;

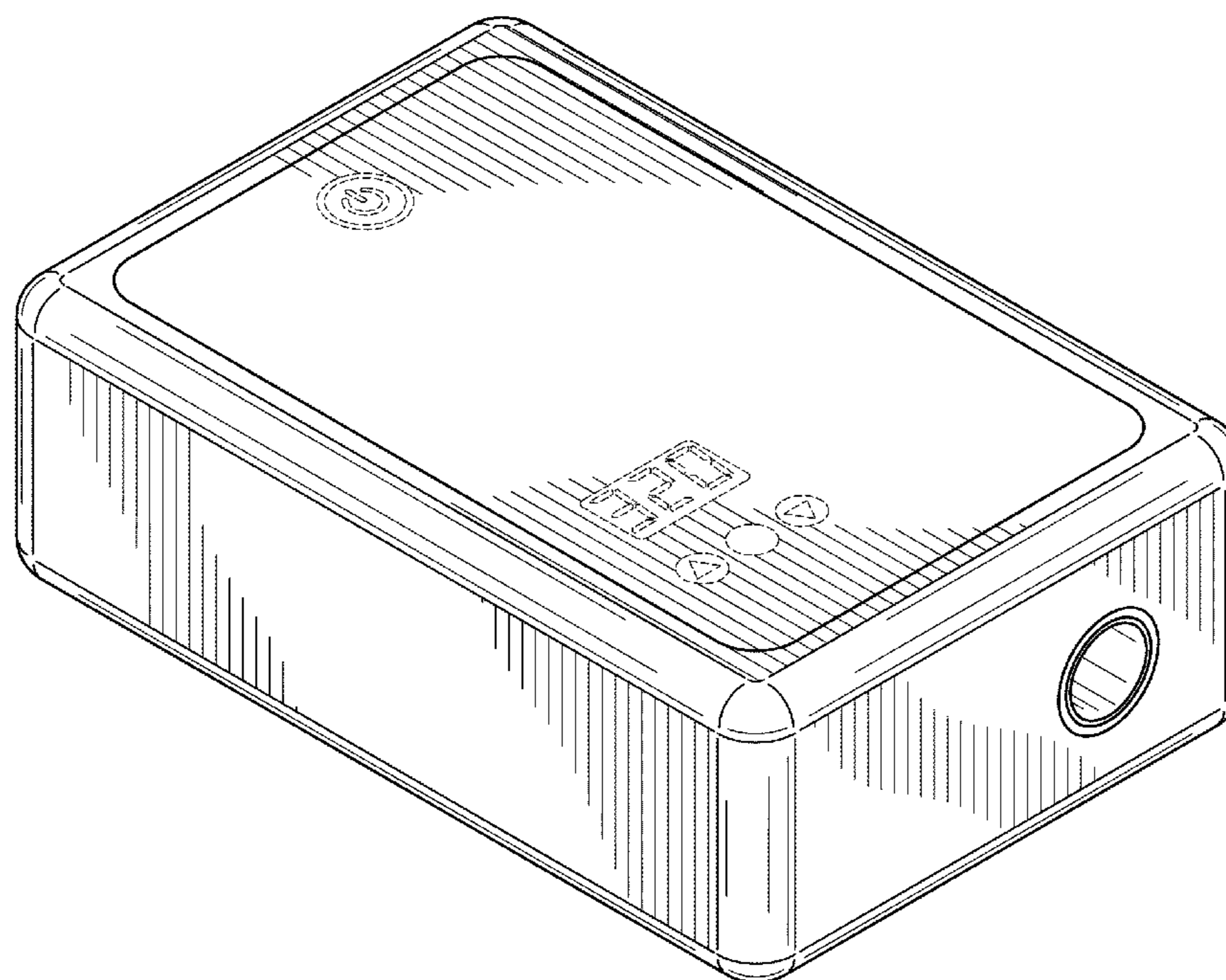
FIG. 5 is a front elevational view of the vaporizer heating assembly of FIG. 1 according to the present invention;

FIG. 6 is a rear elevational view of the vaporizer heating assembly of FIG. 1 according to the present invention; and,

FIG. 7 is a side elevational view of the vaporizer heating assembly of FIG. 1, showing the opposite side of the device from that shown in FIGS. 1 and 2, according to the present invention.

The broken lines showing function buttons and display characters on the top surface forms no part of the claimed design. The broken lines showing air-intake holes, screws, and a power input on the rear surface and the broken line showing an interior of the air-output hole on the front surface forms no part of the claimed design.

1 Claim, 5 Drawing Sheets



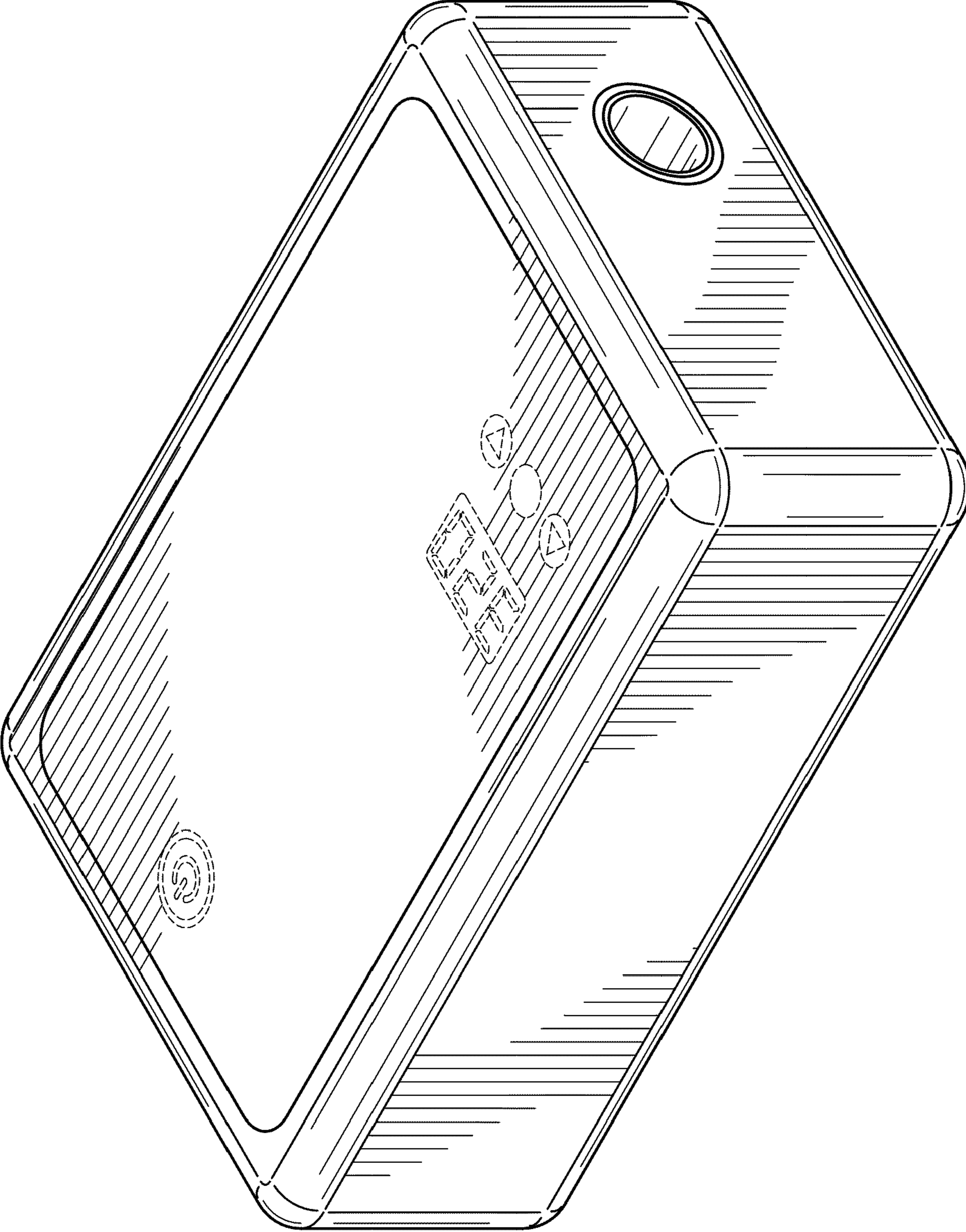


FIG. 1

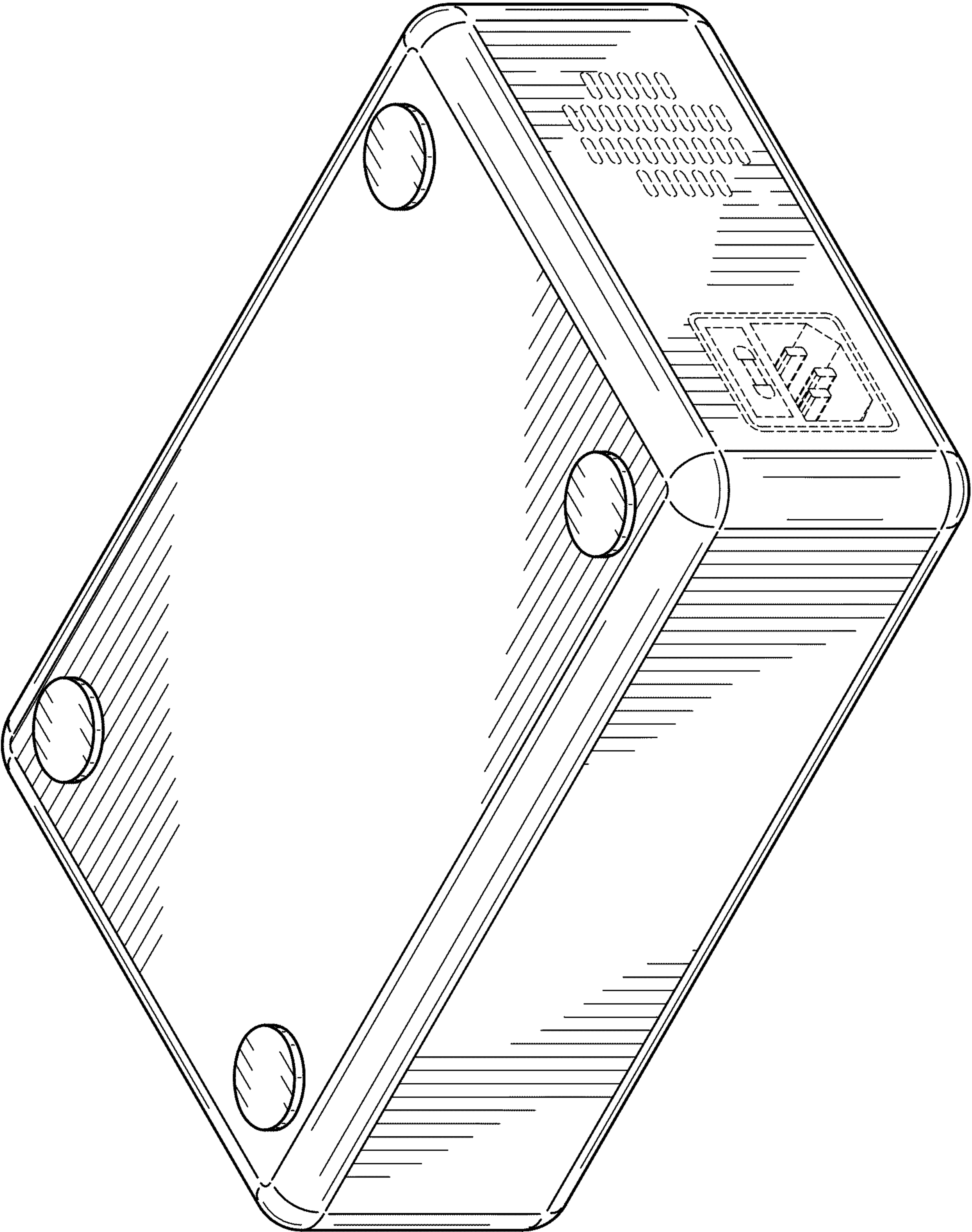


FIG. 2

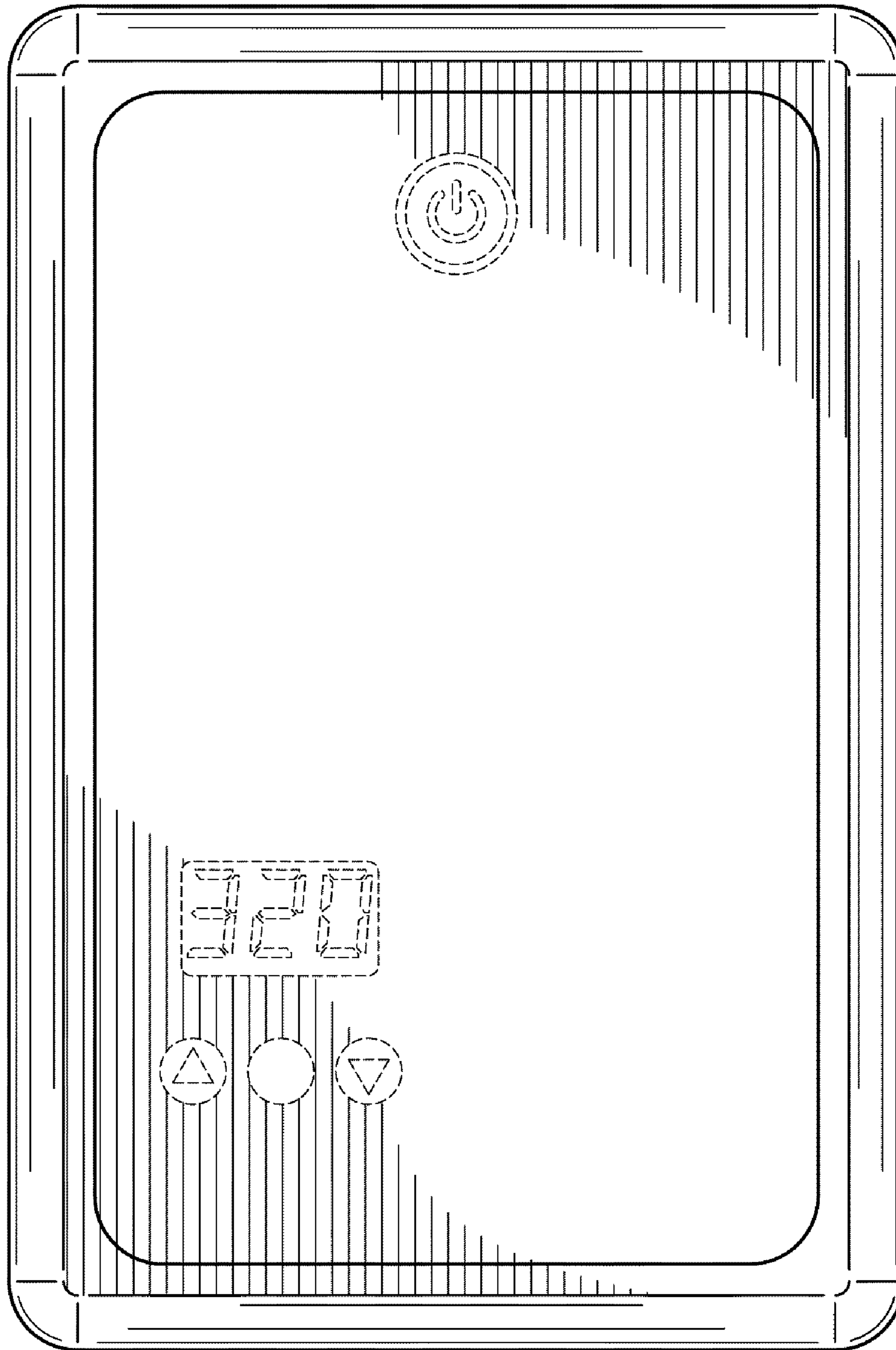


FIG. 3

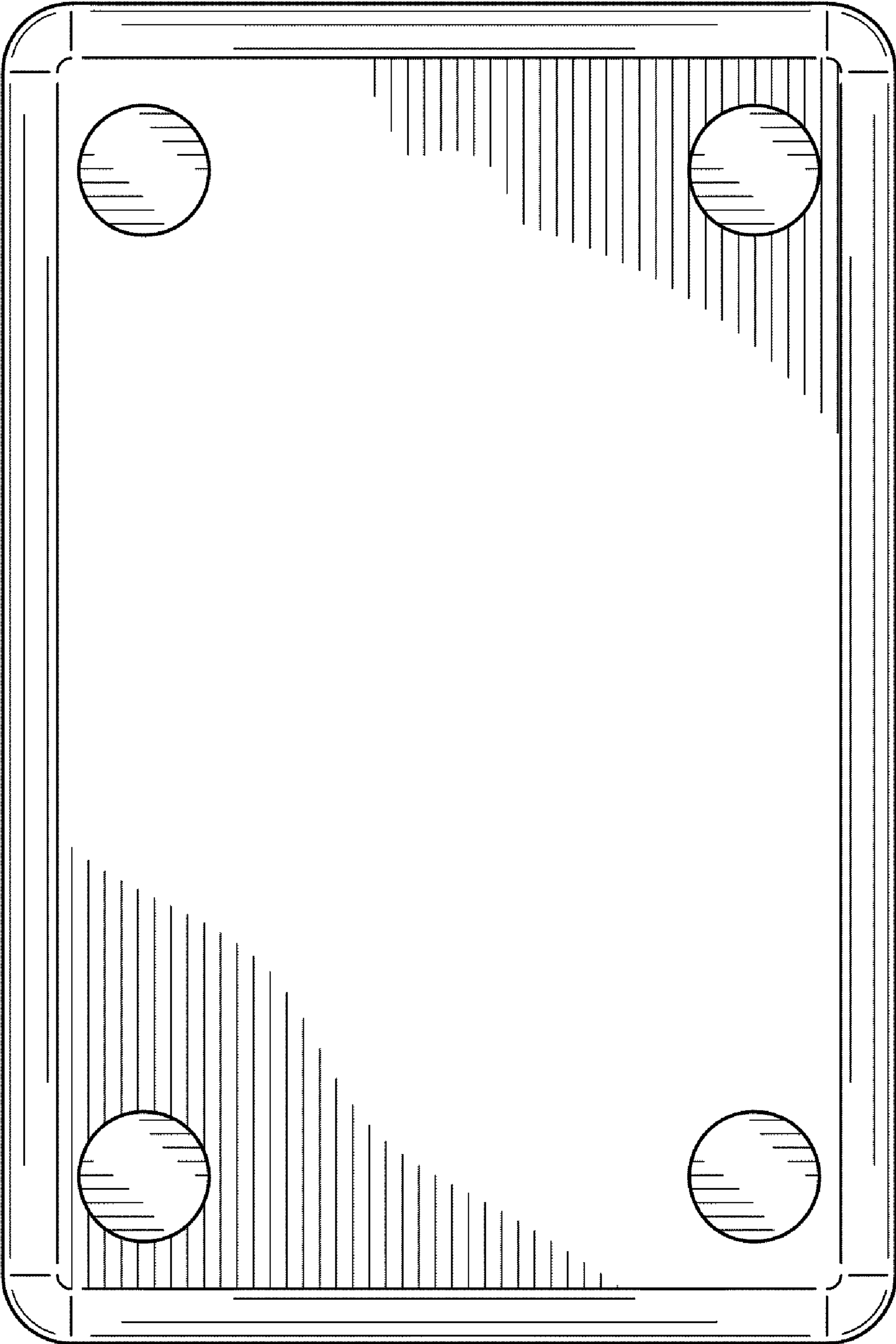


FIG. 4

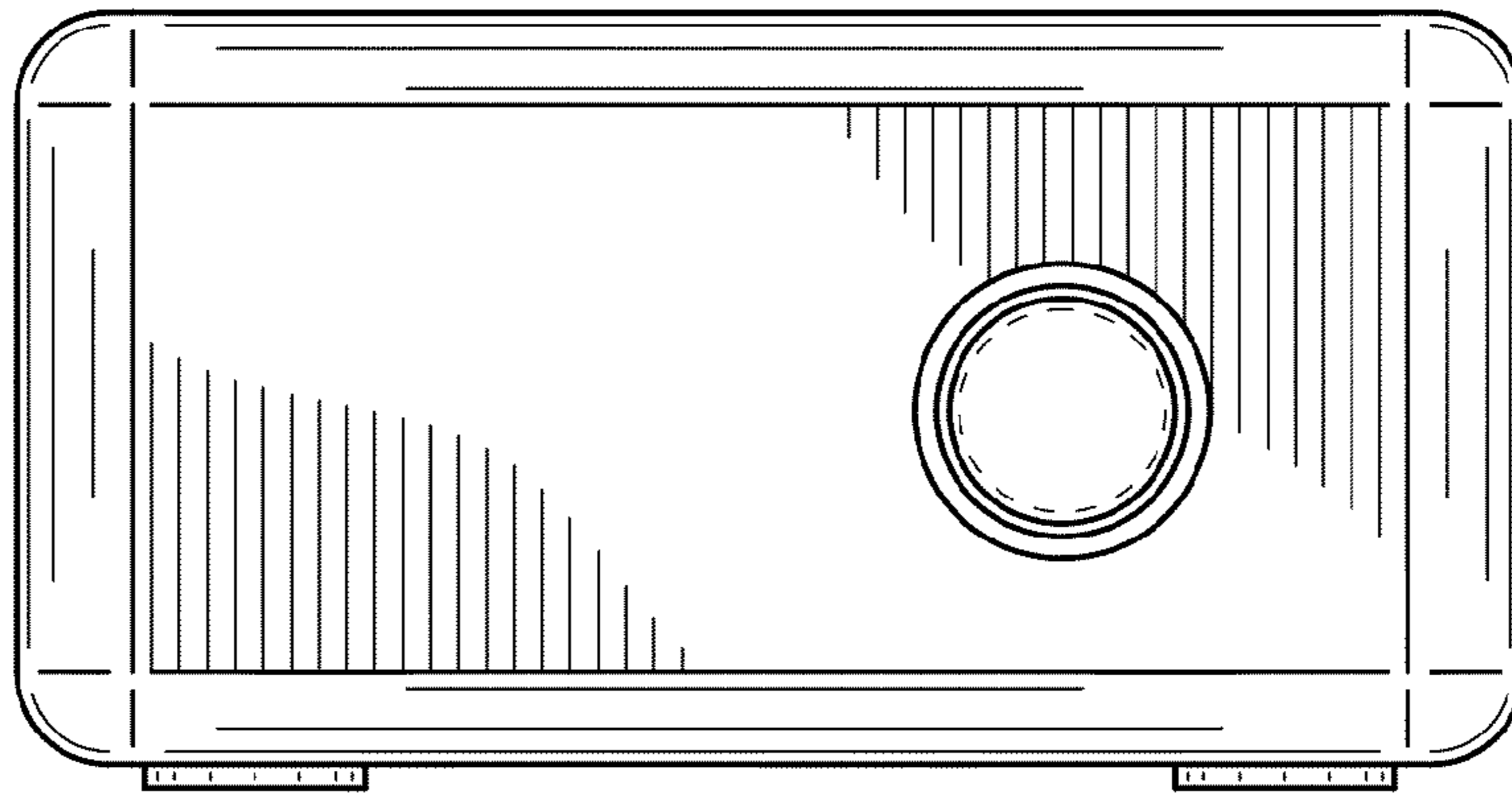


FIG. 5

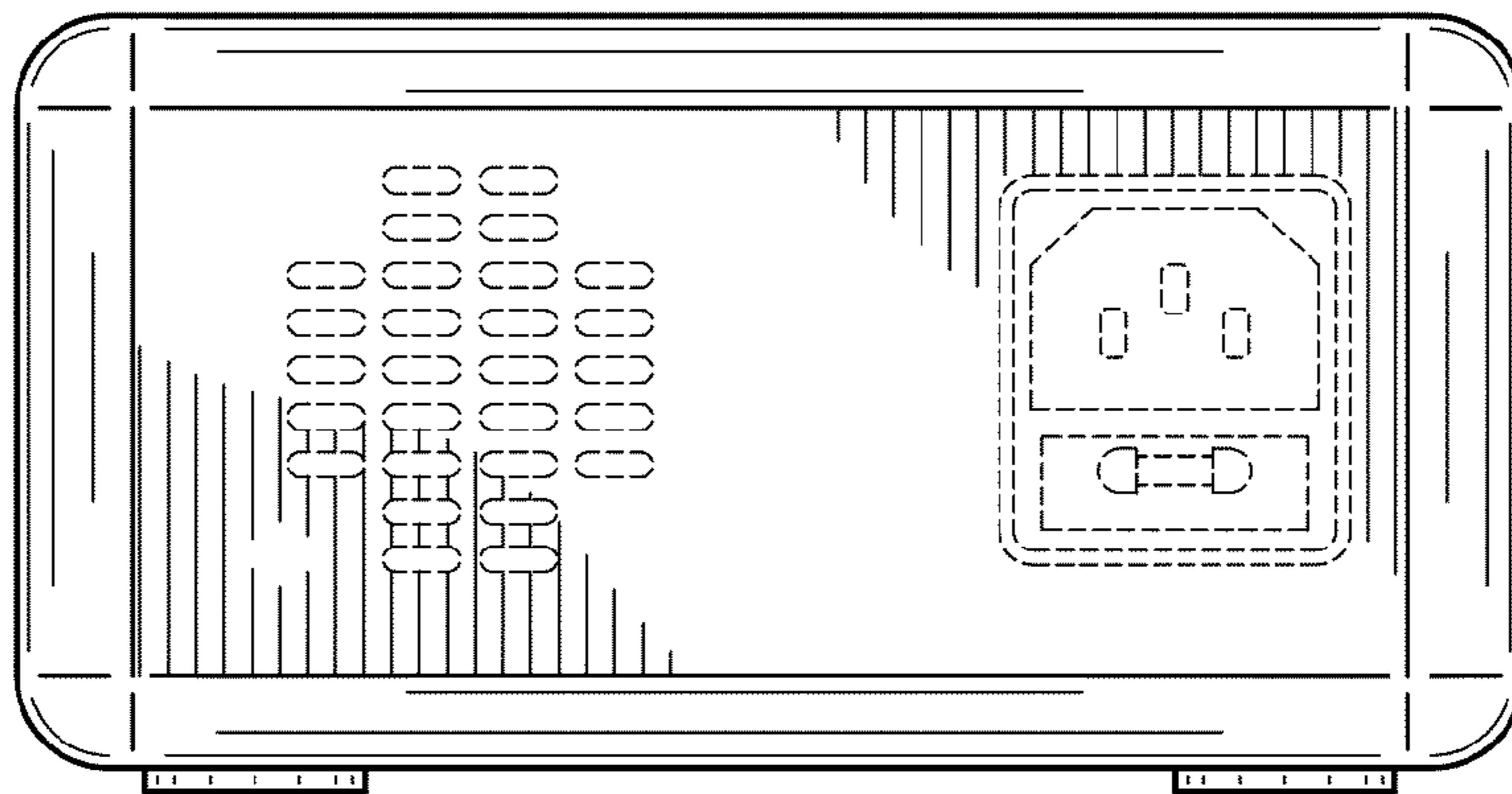


FIG. 6

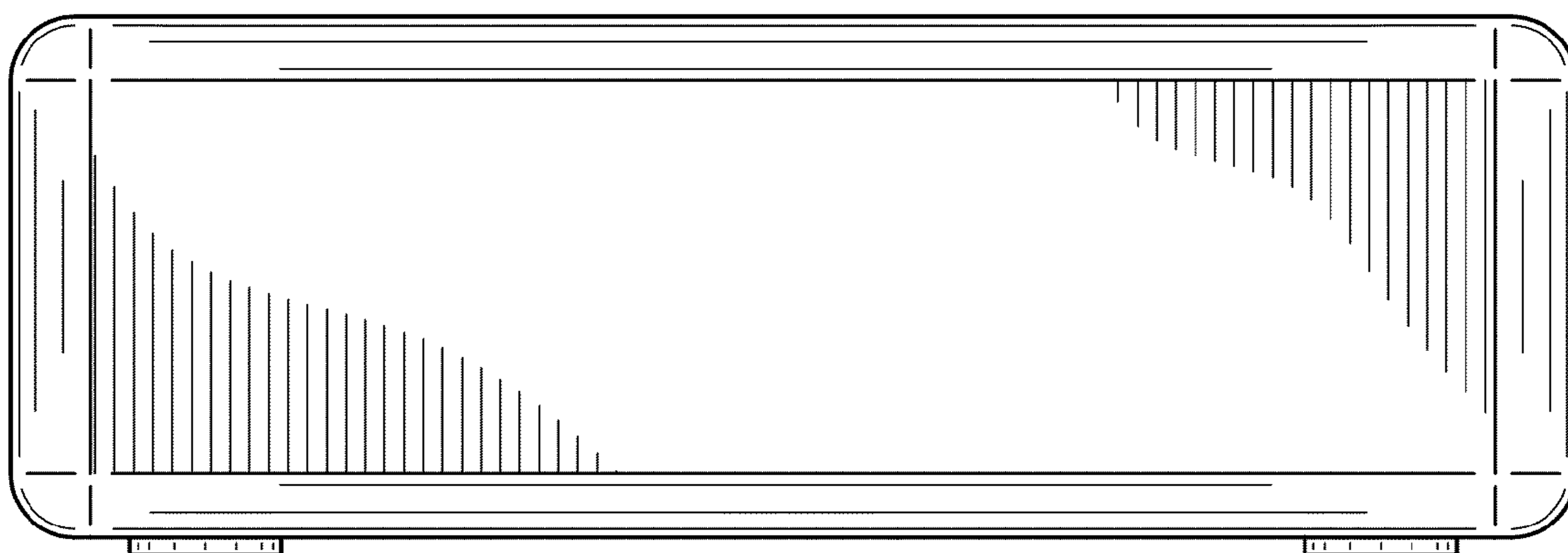


FIG. 7