



US00D654157S

(12) **United States Design Patent**  
**Gilbert**

(10) **Patent No.:** **US D654,157 S**

(45) **Date of Patent:** **\*\* Feb. 14, 2012**

(54) **GRAB BAR**

(75) **Inventor:** **Christopher Jon Gilbert**, Moreland Hills, OH (US)

(73) **Assignee:** **Moen Incorporated**, North Olmsted, OH (US)

(\*\*) **Term:** **14 Years**

(21) **Appl. No.:** **29/384,427**

(22) **Filed:** **Jan. 31, 2011**

(51) **LOC (9) Cl.** ..... **23-02**

(52) **U.S. Cl.** ..... **D23/304**

(58) **Field of Classification Search** ..... D23/283,  
D23/280.2, 303-304; 4/571.1, 573.1; D6/546,  
D6/548-550, 525, 527

See application file for complete search history.

(56) **References Cited**

**U.S. PATENT DOCUMENTS**

D155,897 S	11/1949	Huntington	
2,549,506 A *	4/1951	Moore	4/576.1
4,316,294 A *	2/1982	Baldwin	D23/280.2
D277,347 S	1/1985	Thompson	
5,329,651 A *	7/1994	Mardero et al.	4/561.1
D390,392 S	2/1998	Odom	
D424,345 S	5/2000	Duggan	
D449,477 S	10/2001	Travis	
D450,503 S	11/2001	Gottwald	
D532,228 S	11/2006	Snell	
D559,599 S	1/2008	Bickler et al.	

D577,528 S	9/2008	Hoernig et al.	
7,461,417 B2 *	12/2008	Godbersen	4/576.1
D596,278 S *	7/2009	Stimpson et al.	D23/304
7,823,229 B2 *	11/2010	O'Brien et al.	4/576.1
D631,270 S *	1/2011	O'Brien et al.	D6/527
7,874,025 B2	1/2011	Bowden et al.	

**OTHER PUBLICATIONS**

Grab Bar Product, the grab bar product shown in the cited document was publicly available more than one year prior to Jan. 31, 2011, 1 page.

\* cited by examiner

*Primary Examiner* — Robert Delehanty

(74) *Attorney, Agent, or Firm* — Calfee, Halter & Griswold LLP

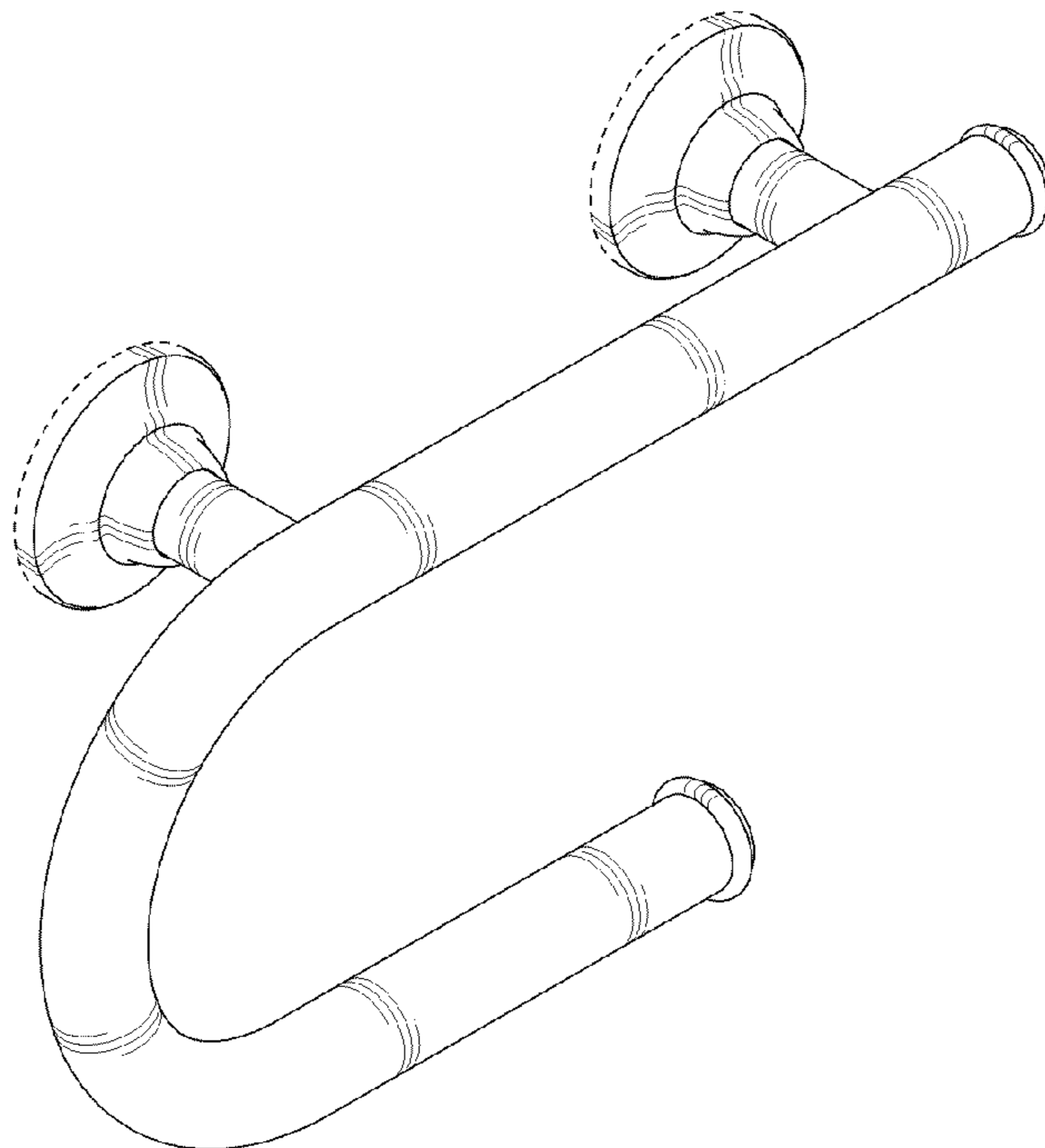
(57) **CLAIM**

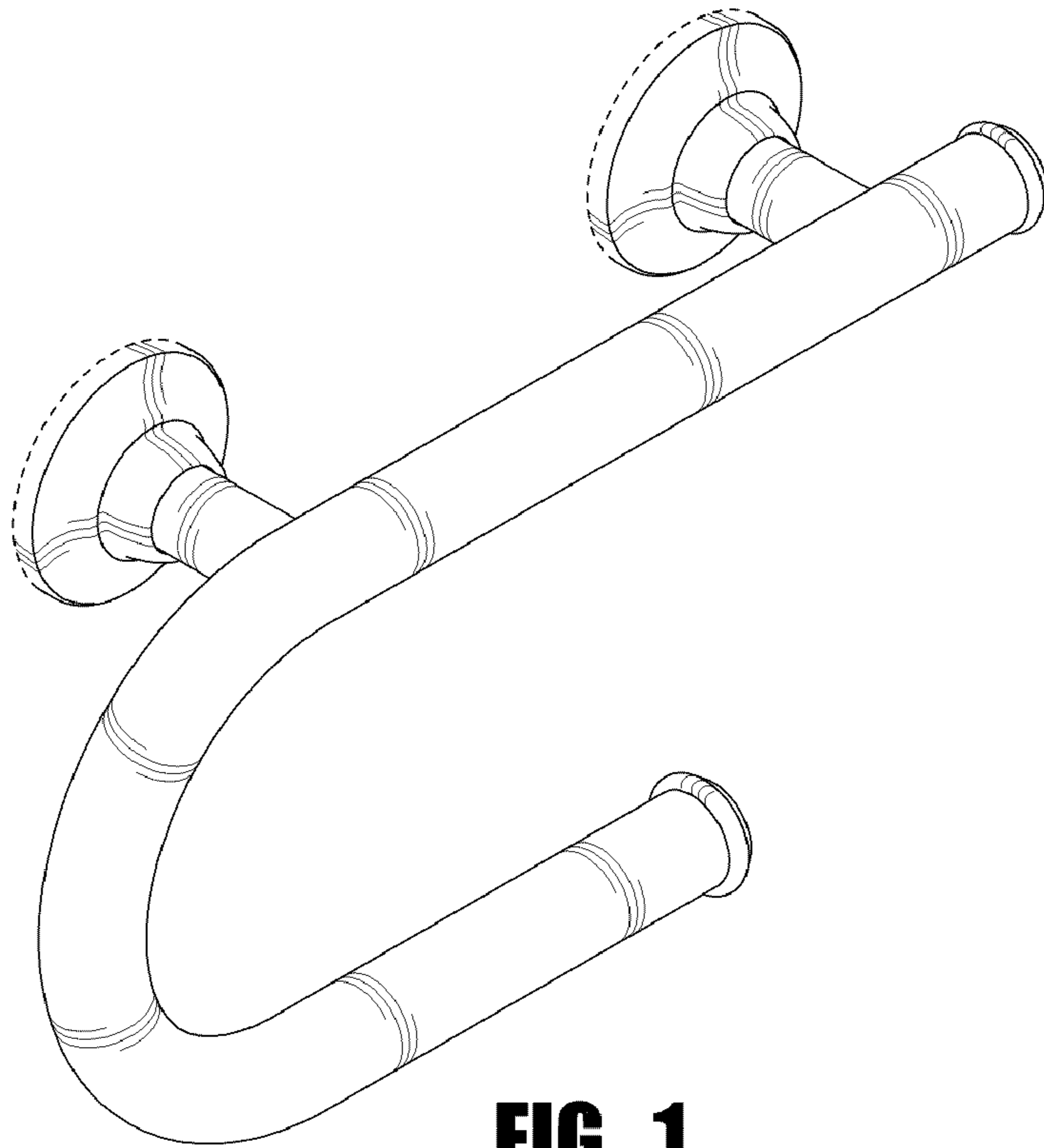
The ornamental design for a grab bar, as shown and described.

**DESCRIPTION**

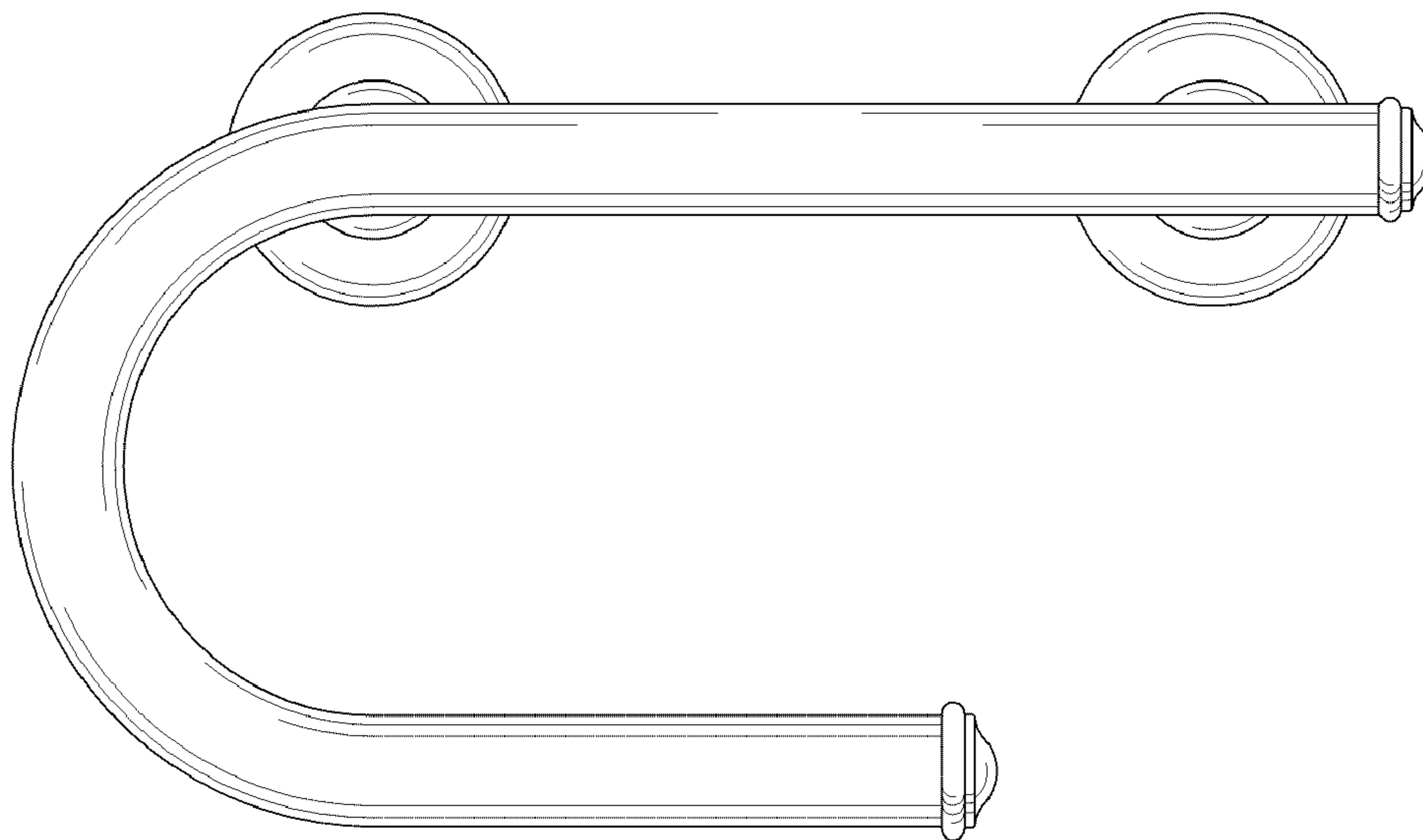
FIG. 1 is a perspective view of a grab bar of the new design; FIG. 2 is a front elevational view of the grab bar of FIG. 1; FIG. 3 is a rear elevational view of the grab bar of FIG. 1; FIG. 4 is a left side elevational view of the grab bar of FIG. 1; FIG. 5 is a right side elevational view of the grab bar of FIG. 1; FIG. 6 is a top plan view of the grab bar of FIG. 1; and, FIG. 7 is a bottom plan view of the grab bar of FIG. 1. The portions of the Figures shown in broken lines are not part of the claimed design and are for illustration only.

**1 Claim, 3 Drawing Sheets**

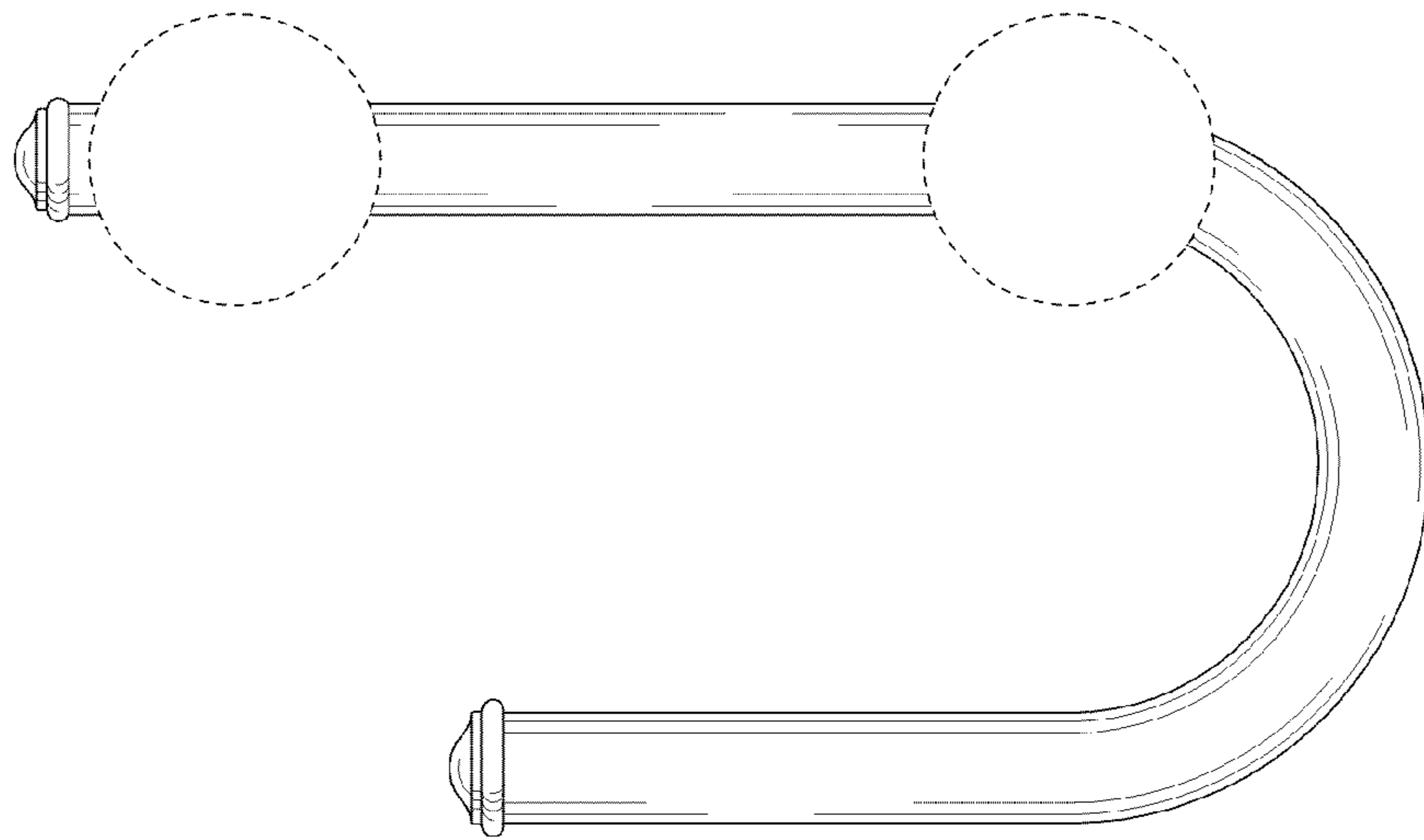




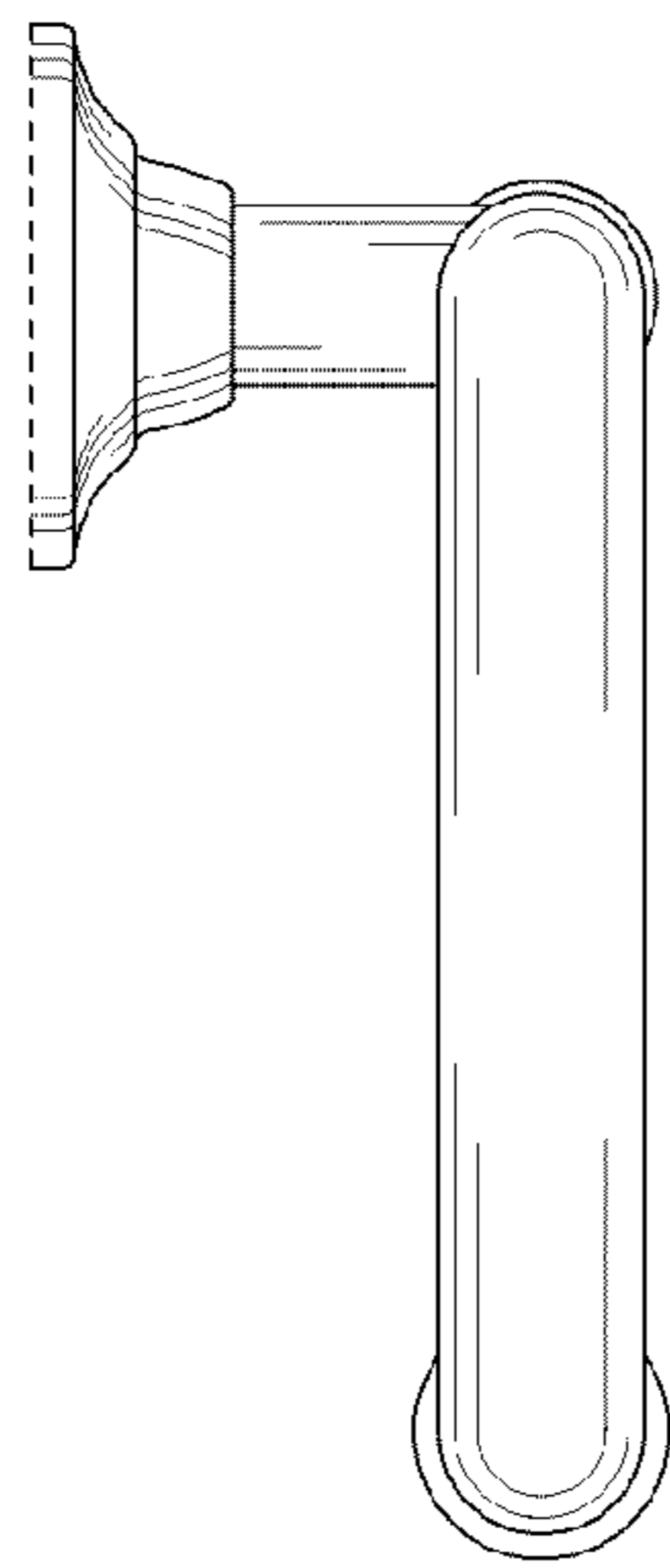
**FIG. 1**



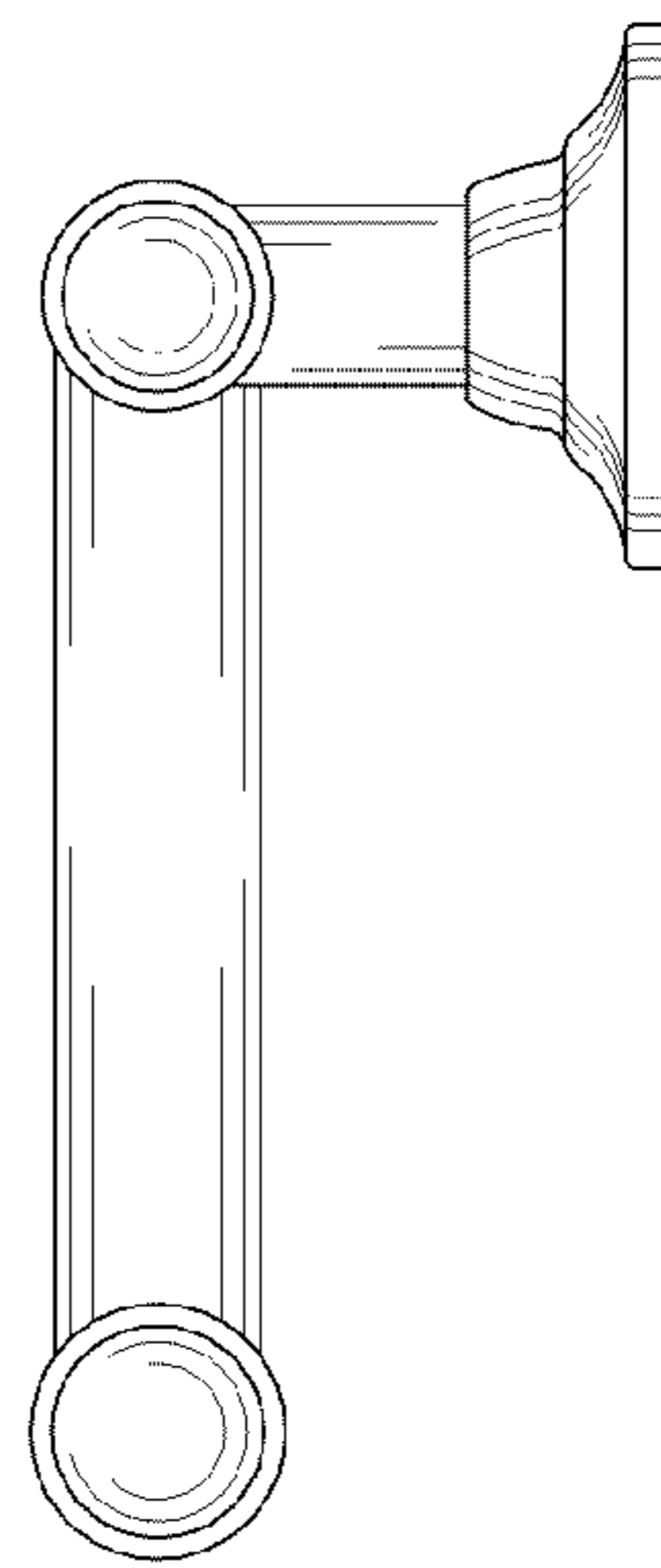
**FIG. 2**



**FIG. 3**



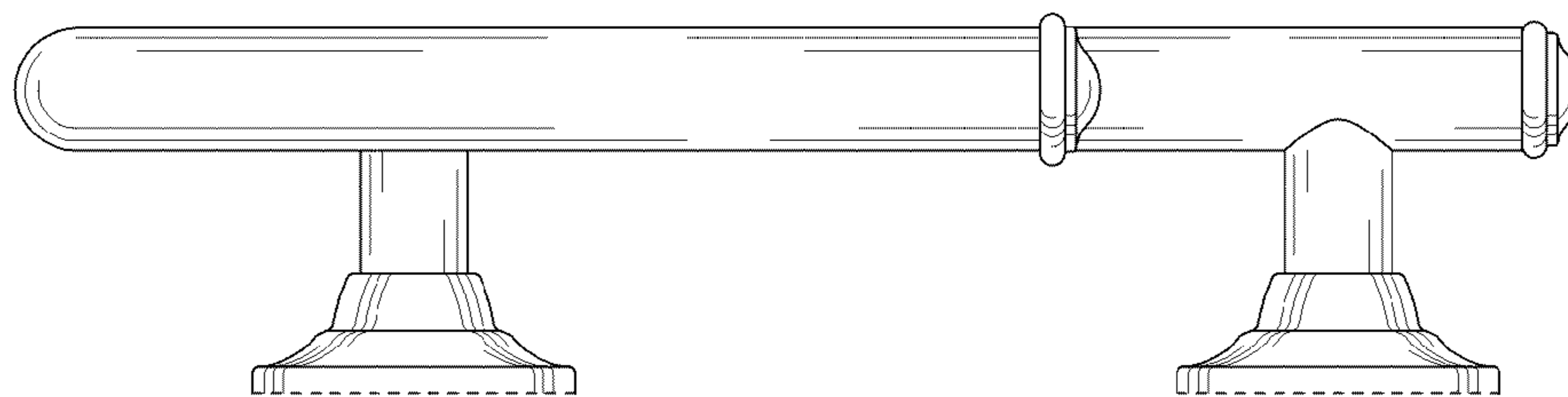
**FIG. 4**



**FIG. 5**



**FIG. 6**



**FIG. 7**