



US00D654155S

(12) **United States Design Patent**
Lusson et al.

(10) **Patent No.:** **US D654,155 S**
(45) **Date of Patent:** **** Feb. 14, 2012**

(54) **PLUMBING FIXTURE**

(75) Inventors: **Jacob T. Lusson**, St. Louis, MO (US);
Herbert V. Kohler, Jr., Kohler, WI (US)

(73) Assignee: **Kohler Co.**, Kohler, WI (US)

(**) Term: **14 Years**

(21) Appl. No.: **29/382,953**

(22) Filed: **Jan. 10, 2011**

(51) **LOC (9) Cl.** **23-02**

(52) **U.S. Cl.** **D23/293.1**

(58) **Field of Classification Search** D23/284-286,
D23/291, 292, 289, 293.1, 308; 4/619
See application file for complete search history.

(56) **References Cited**

U.S. PATENT DOCUMENTS

D470,930 S *	2/2003	Tani	D23/293.1
D487,502 S *	3/2004	Ruxchaivan	D23/293.1
D521,616 S *	5/2006	Bates	D23/293.1
D531,286 S *	10/2006	Bates	D23/293.1

OTHER PUBLICATIONS

Kohler Co. "Maratea Self-Rimming Lavatory". Model No. K-2831.
Kohler Co. online catalog.
Kohler Co. "Caxton Undercounter Lavatory". Model No. K-2205.
Kohler Co. online catalog.
Jacob Delafon. "Vasque Odeon". Model No. E1357. Jacob Delafon
online catalog.
Nameek's. "Kong 70/R". HomePortfolio.com online catalog. Copy-
right 1997-2011 HomePortfolio Inc.

Nameek's. "Shape 45". HomePortfolio.com online catalog. Copy-
right 1997-2011 HomePortfolio Inc.

Nameek's. "Sax". HomePortfolio.com online catalog. Copyright
1997-2011 HomePortfolio Inc.

AstroCast. "Vortex Round Bowl Graphite Grey Kitchen Sink".
TapsUK.com online catalog. Copyright Taps UK 2010.

* cited by examiner

Primary Examiner — Robert Delehanty

(74) *Attorney, Agent, or Firm* — Foley & Lardner LLP

(57) **CLAIM**

The ornamental design for a plumbing fixture, as shown and
described.

DESCRIPTION

FIG. 1 is a left, top, front perspective view of a plumbing
fixture embodying our new design;

FIG. 2 is a top plan view thereof;

FIG. 3 is a front elevational view thereof;

FIG. 4 is a left side elevational view thereof, the right side
elevational view thereof being a mirror image of the left side
shown;

FIG. 5 is a rear elevational view thereof;

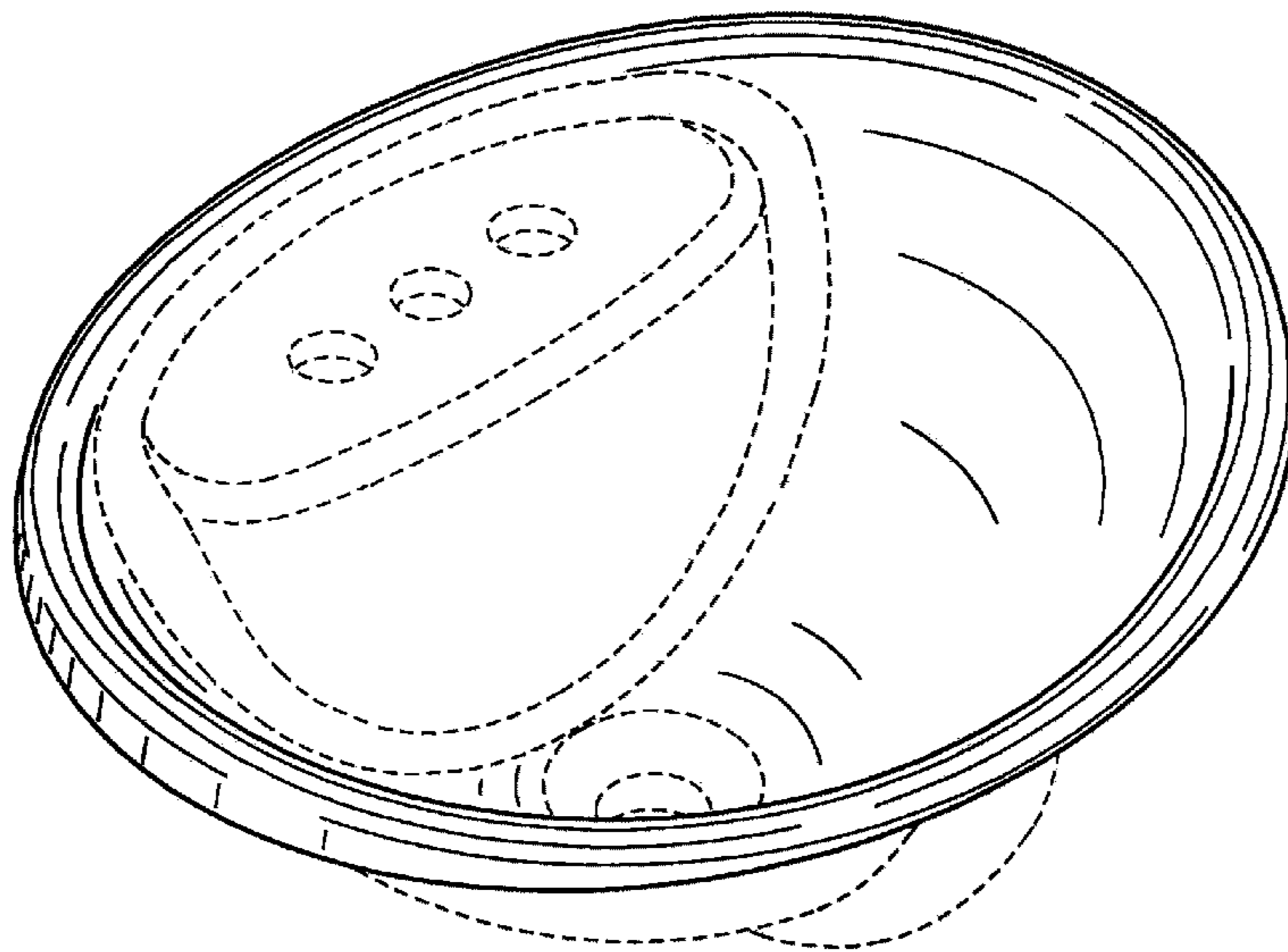
FIG. 6 is a bottom plan view thereof;

FIG. 7 is a front sectional view taken along line 7-7 of FIG. 2;
and,

FIG. 8 is a side sectional view taken along line 8-8 of FIG. 2.
The broken lines in the figures are for the purpose of illus-
trating unclaimed surfaces or environment and do not form
part of the claimed design.

The nature of this product is as a plumbing fixture, such as a
lavatory for washing.

1 Claim, 6 Drawing Sheets



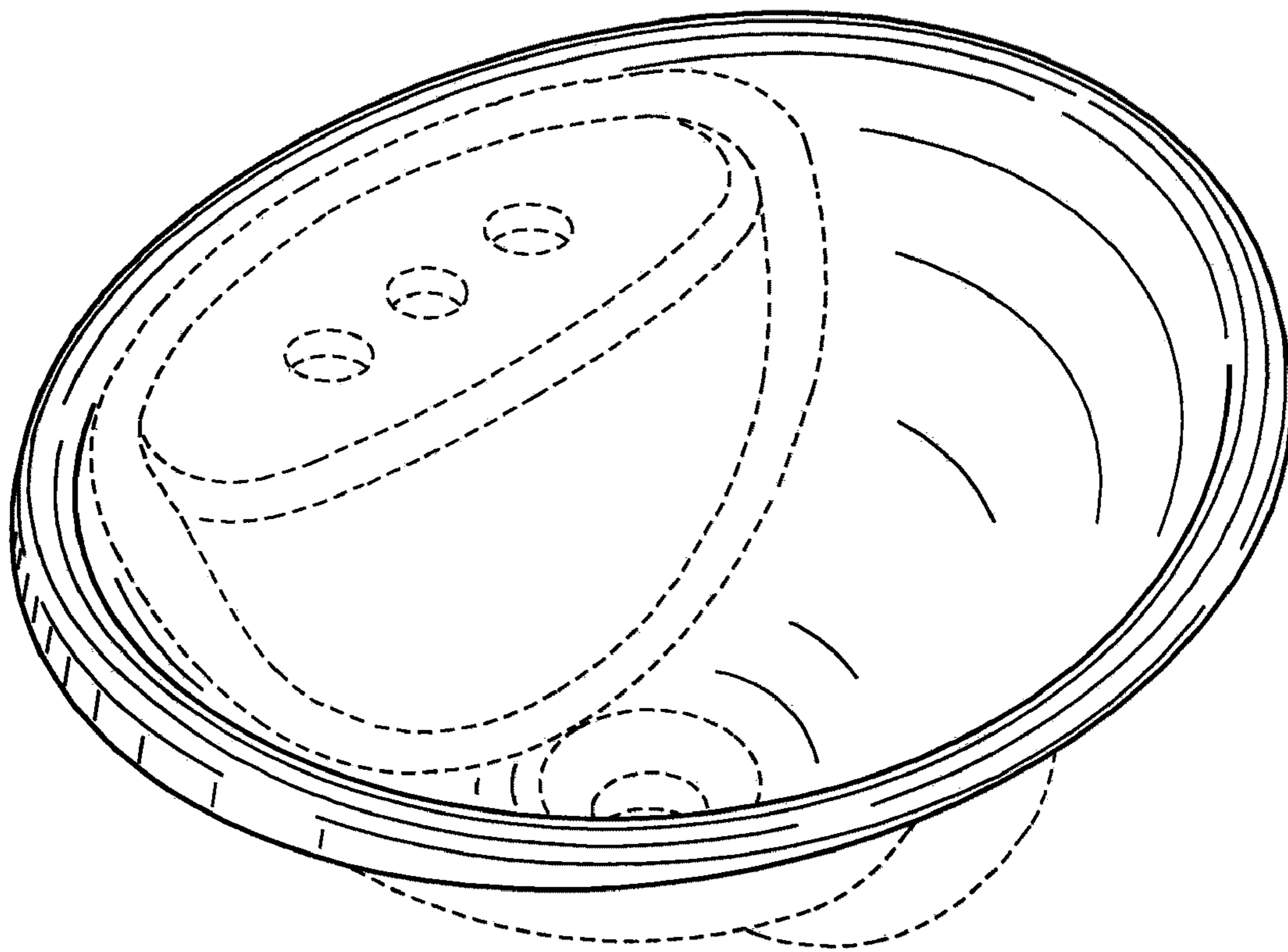


FIG. 1

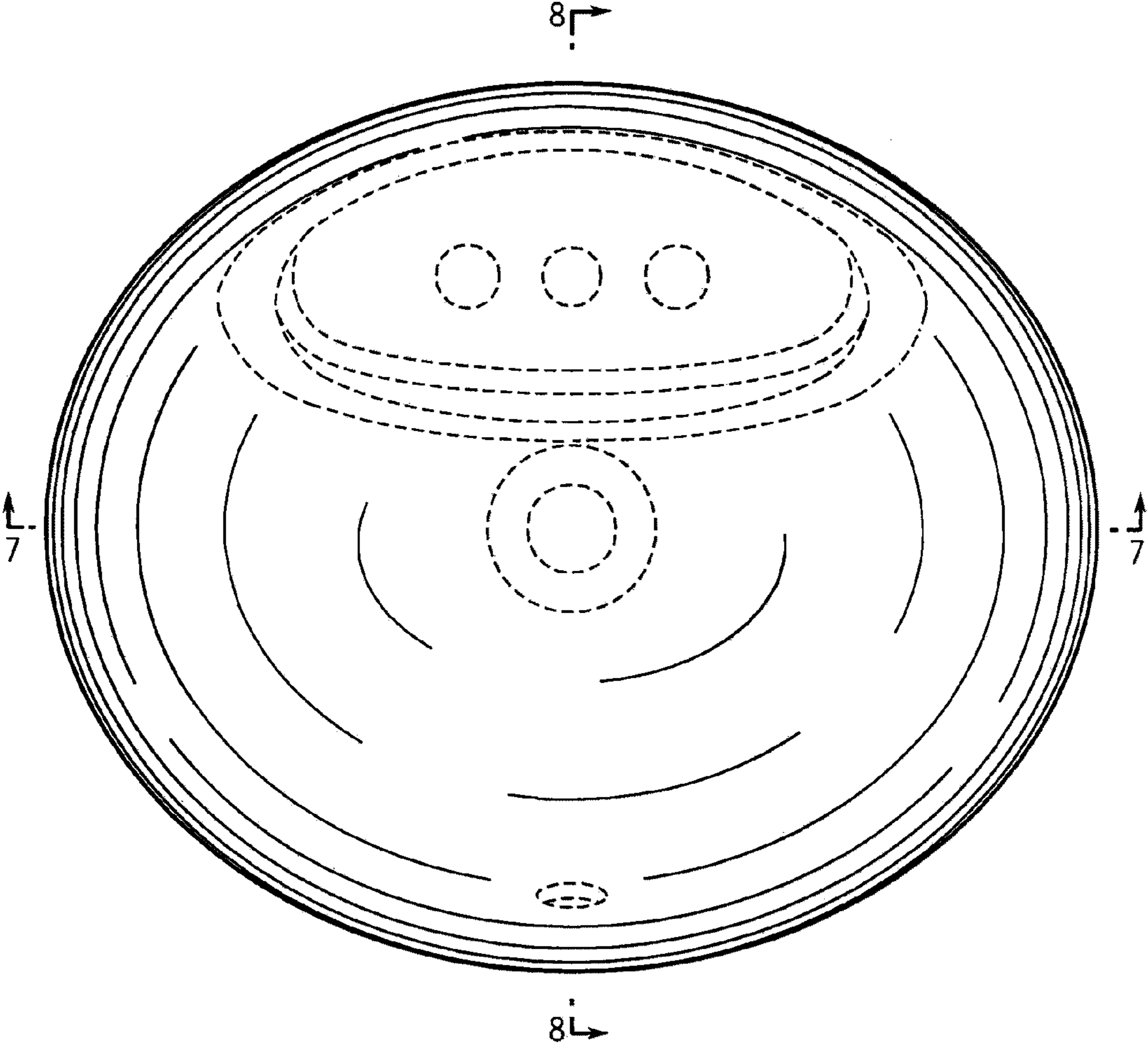


FIG. 2

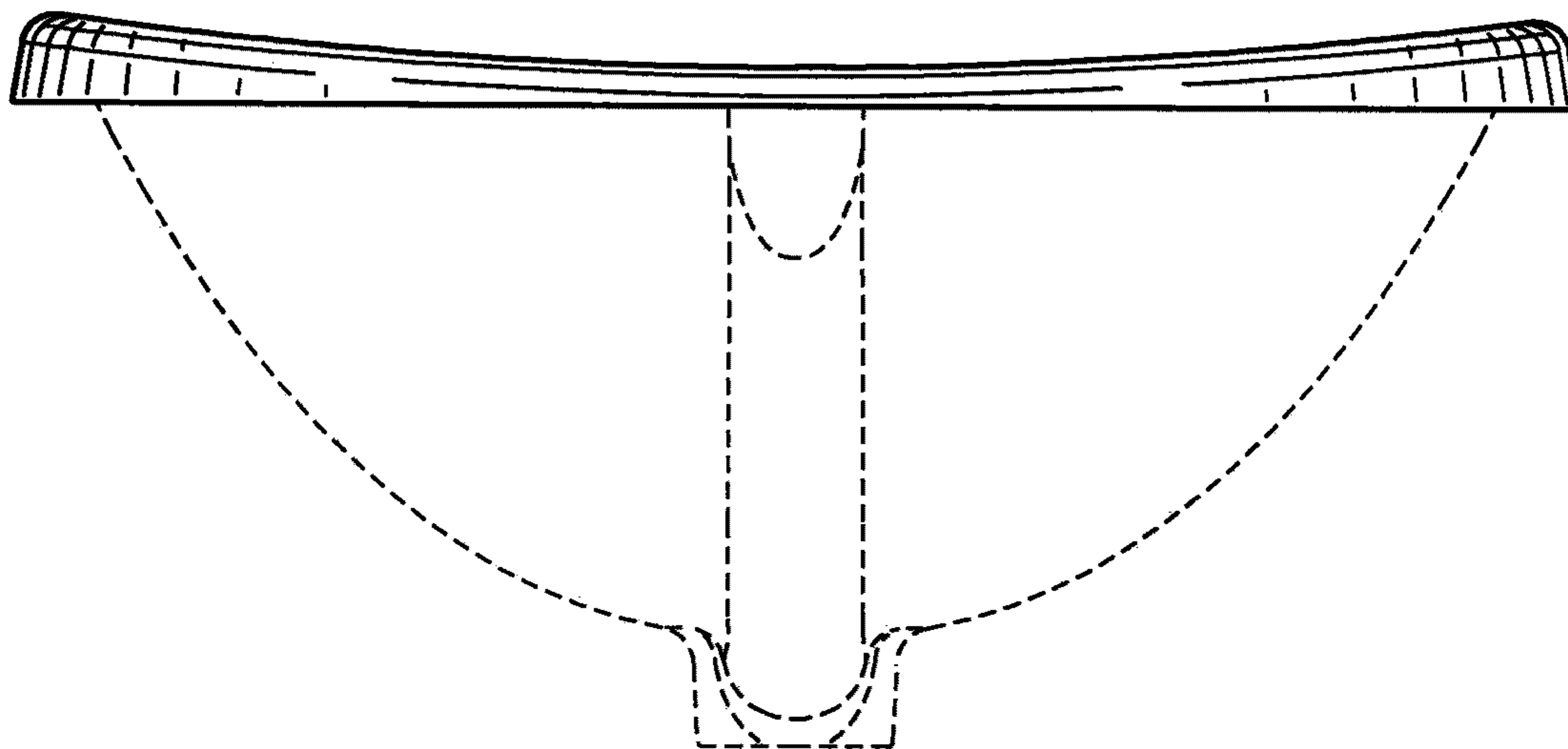


FIG. 3

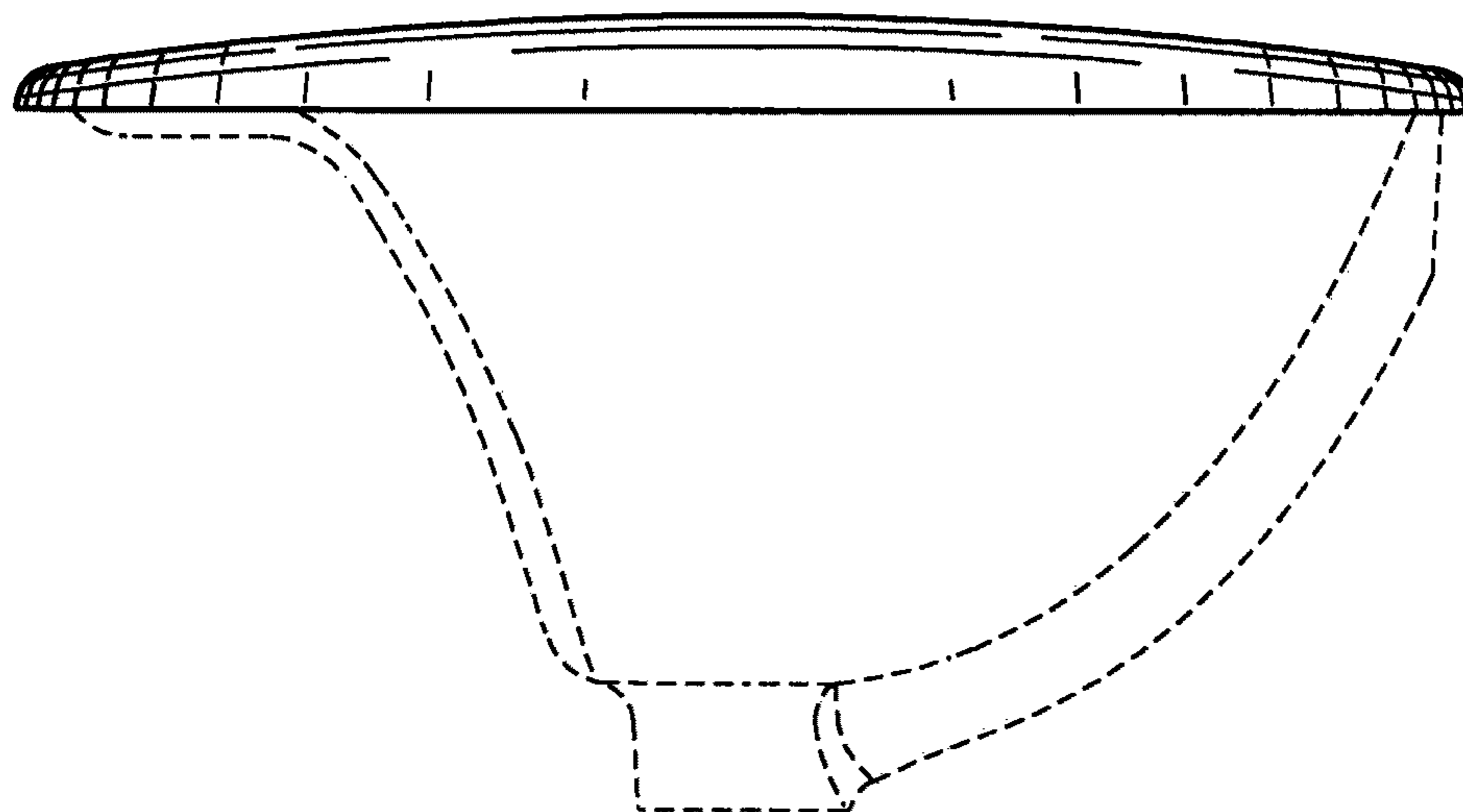


FIG. 4

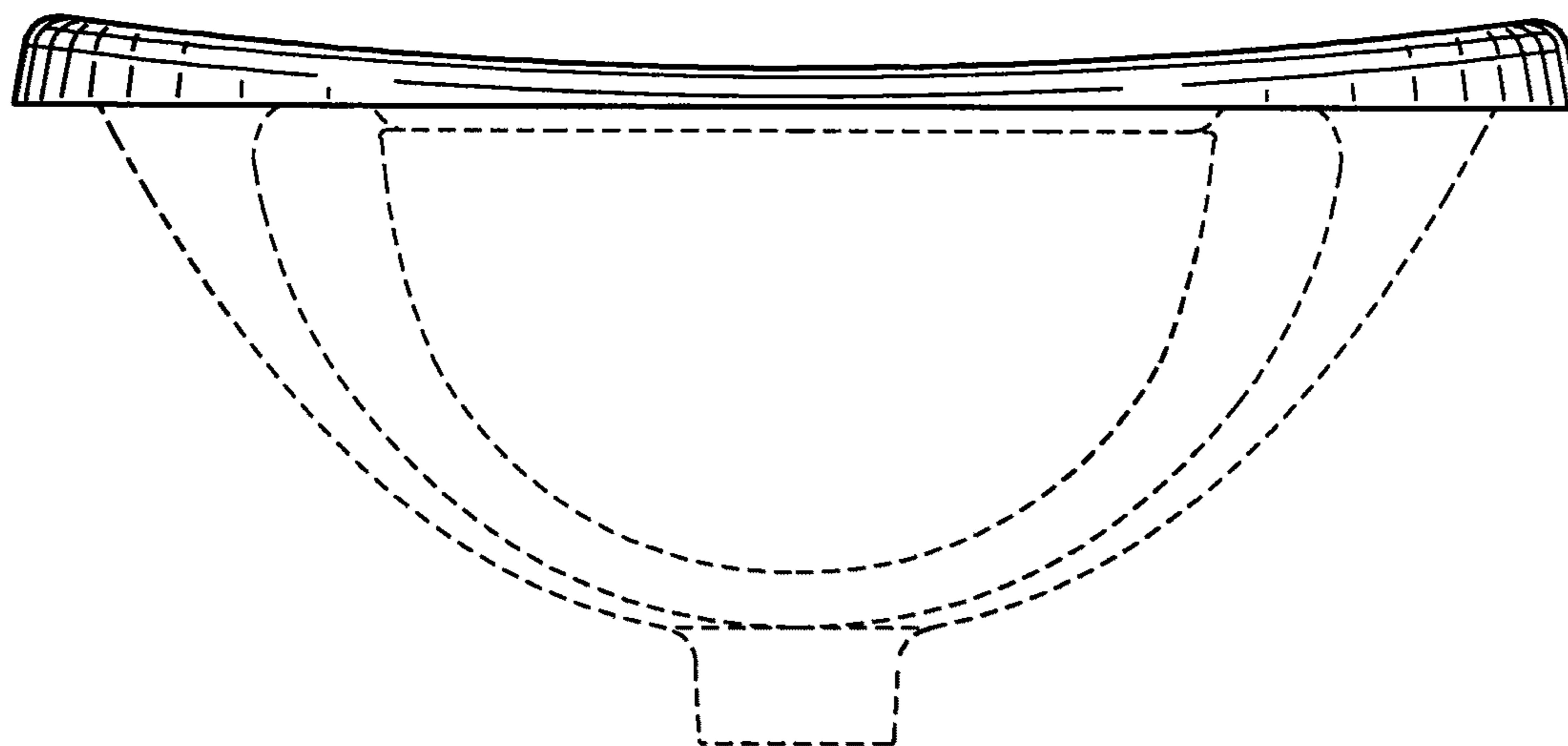


FIG. 5

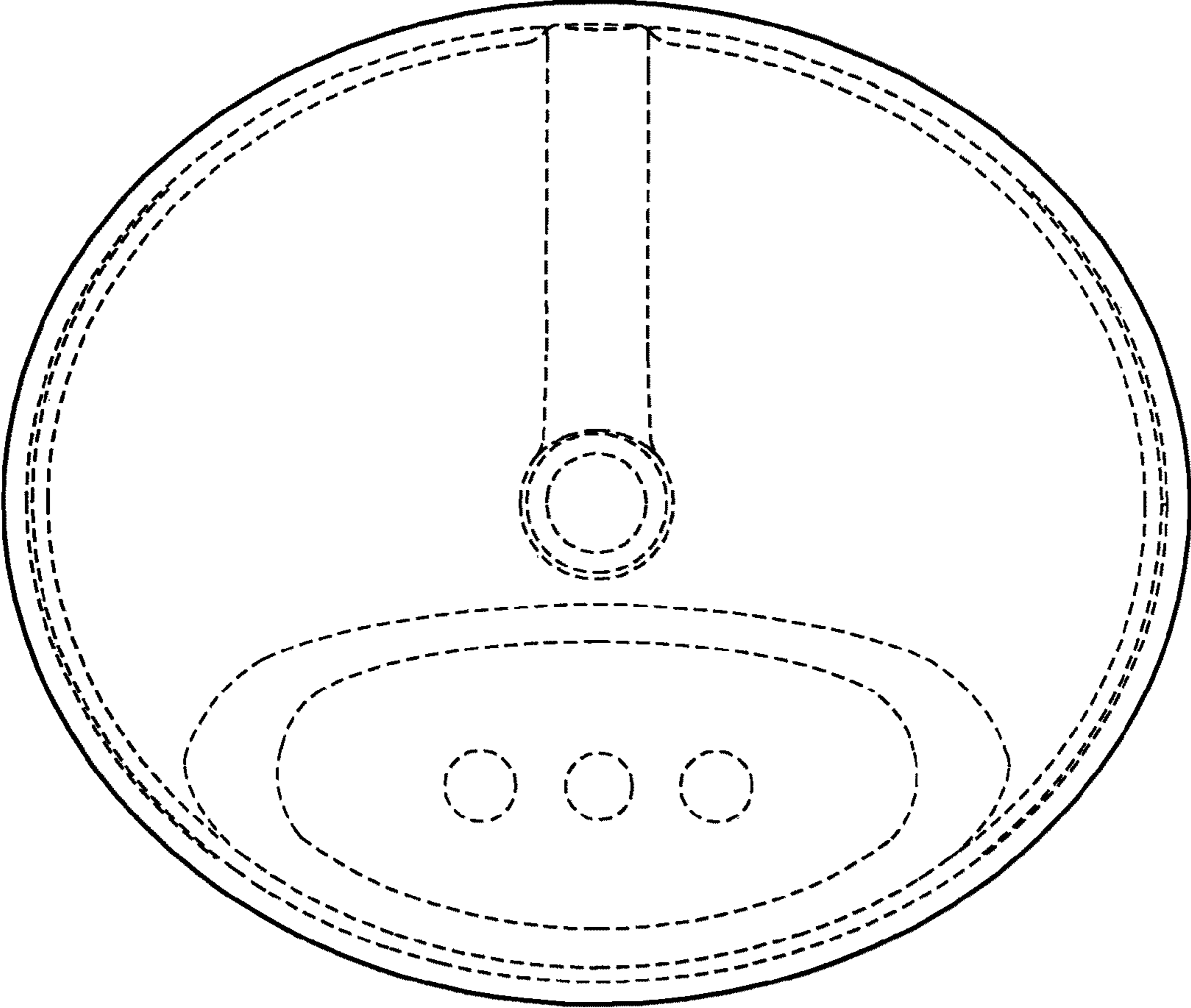


FIG. 6

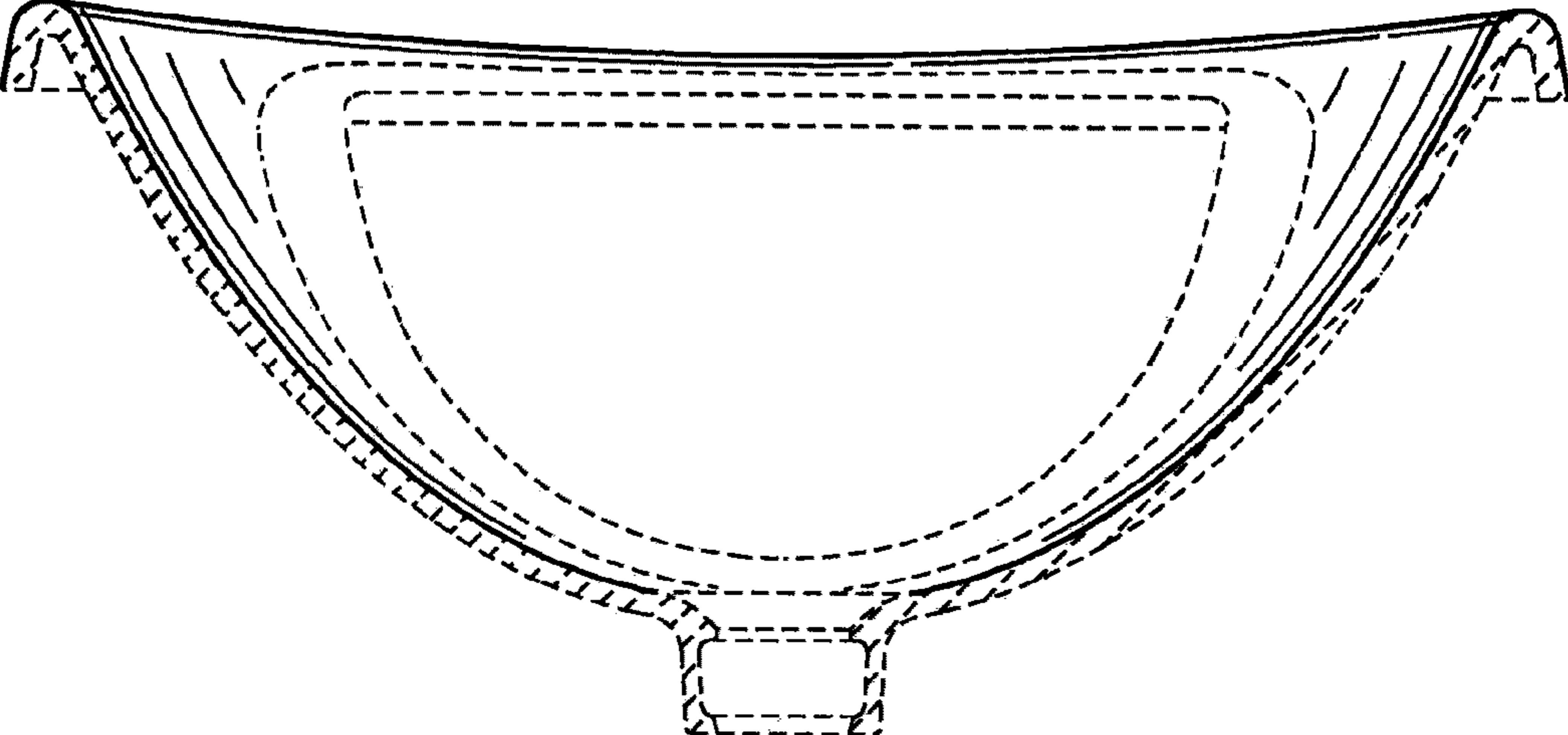


FIG. 7

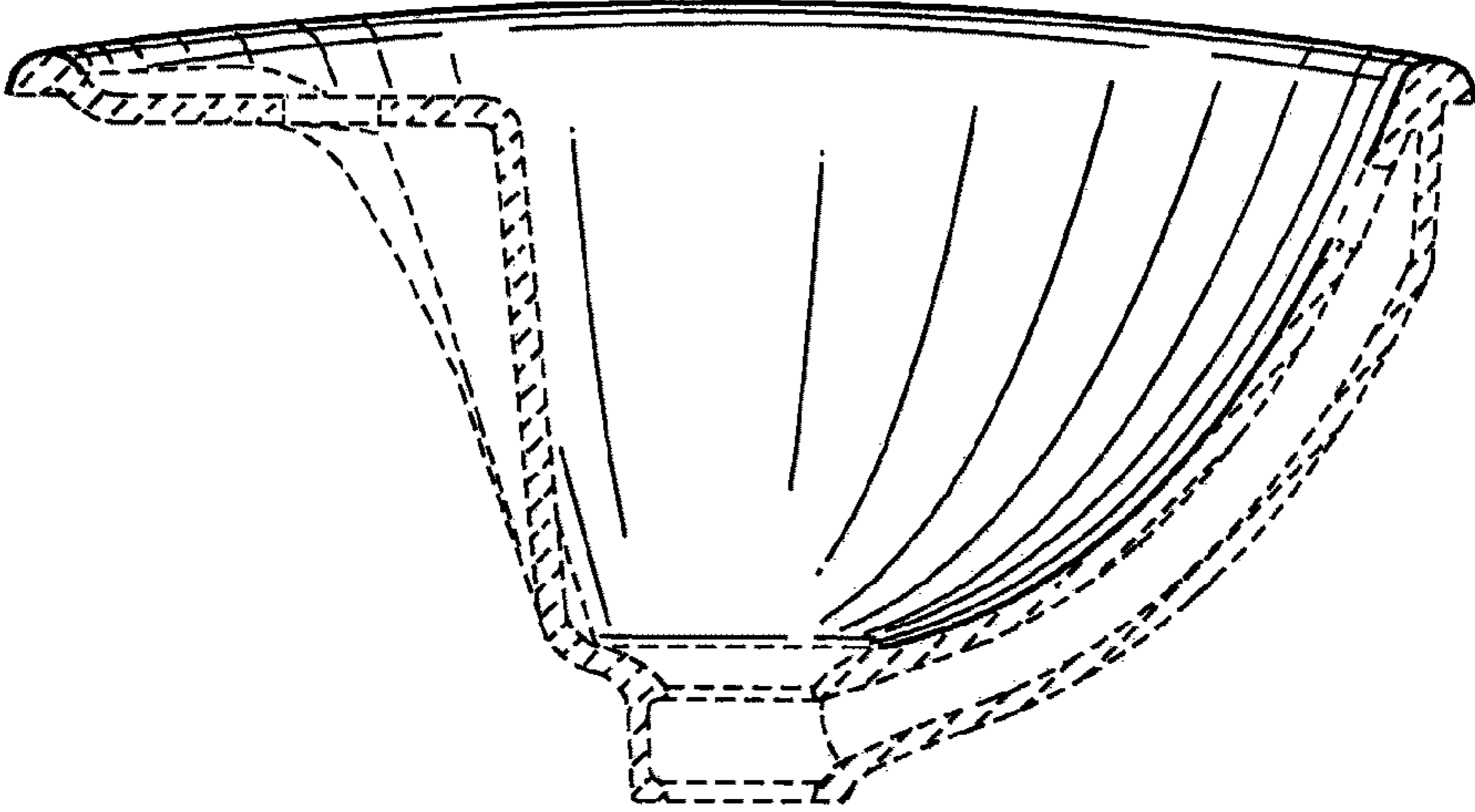


FIG. 8