

US00D654153S

(12) **United States Design Patent**
Jorgensen

(10) **Patent No.:** **US D654,153 S**

(45) **Date of Patent:** **** Feb. 14, 2012**

(54) **ABOVEGROUND PIPING SYSTEM**

(74) *Attorney, Agent, or Firm* — Gary K. Price

(76) Inventor: **Roy W. Jorgensen**, Evansville, IN (US)

(57) **CLAIM**

(**) Term: **14 Years**

The ornamental design for an aboveground piping system, as shown and described.

(21) Appl. No.: **29/315,334**

DESCRIPTION

(22) Filed: **Jun. 16, 2009**

(51) **LOC (9) Cl.** **23-01**

FIG. 1 is a top perspective view of my aboveground piping system.

(52) **U.S. Cl.** **D23/266**

FIG. 2 is a top partial view of the system of FIG. 1 with a section of the lid portion removed.

(58) **Field of Classification Search** D23/259–269;
210/86, 104, 187, 519, 521, 538, 540, DIG. 5

FIG. 3 is a bottom partial view of the system of FIG. 1.

See application file for complete search history.

FIG. 4 is a right side partial view of the system of FIG. 1.

(56) **References Cited**

FIG. 5 is a left side view of the system of FIG. 1, with a section of the system removed.

U.S. PATENT DOCUMENTS

FIG. 6 is a front end view of the system of FIG. 1; and,

D475,439 S * 6/2003 Lin D23/266

FIG. 7 is a rear view of the system of FIG. 1, with a section of the lid portion removed.

D498,825 S * 11/2004 Fu D23/266

2009/0229672 A1* 9/2009 Yeong-chun 137/15.01

A portion of the aboveground piping system has been shown broken away in FIGS. 2 through 5 for convenience of illustration so that the views might be sufficiently enlarged to illustrate details of the design.

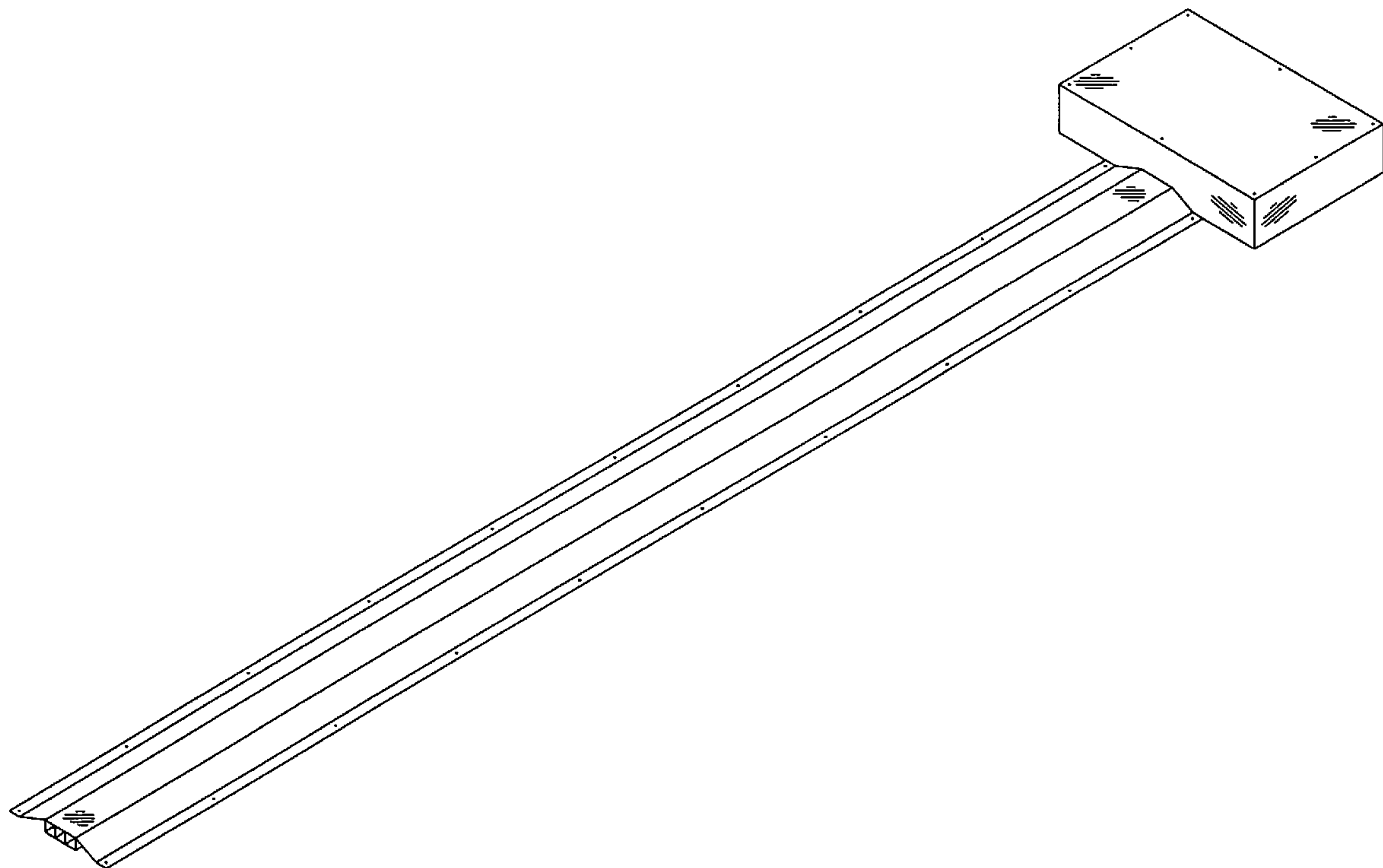
2011/0095140 A1* 4/2011 Armit 248/68.1

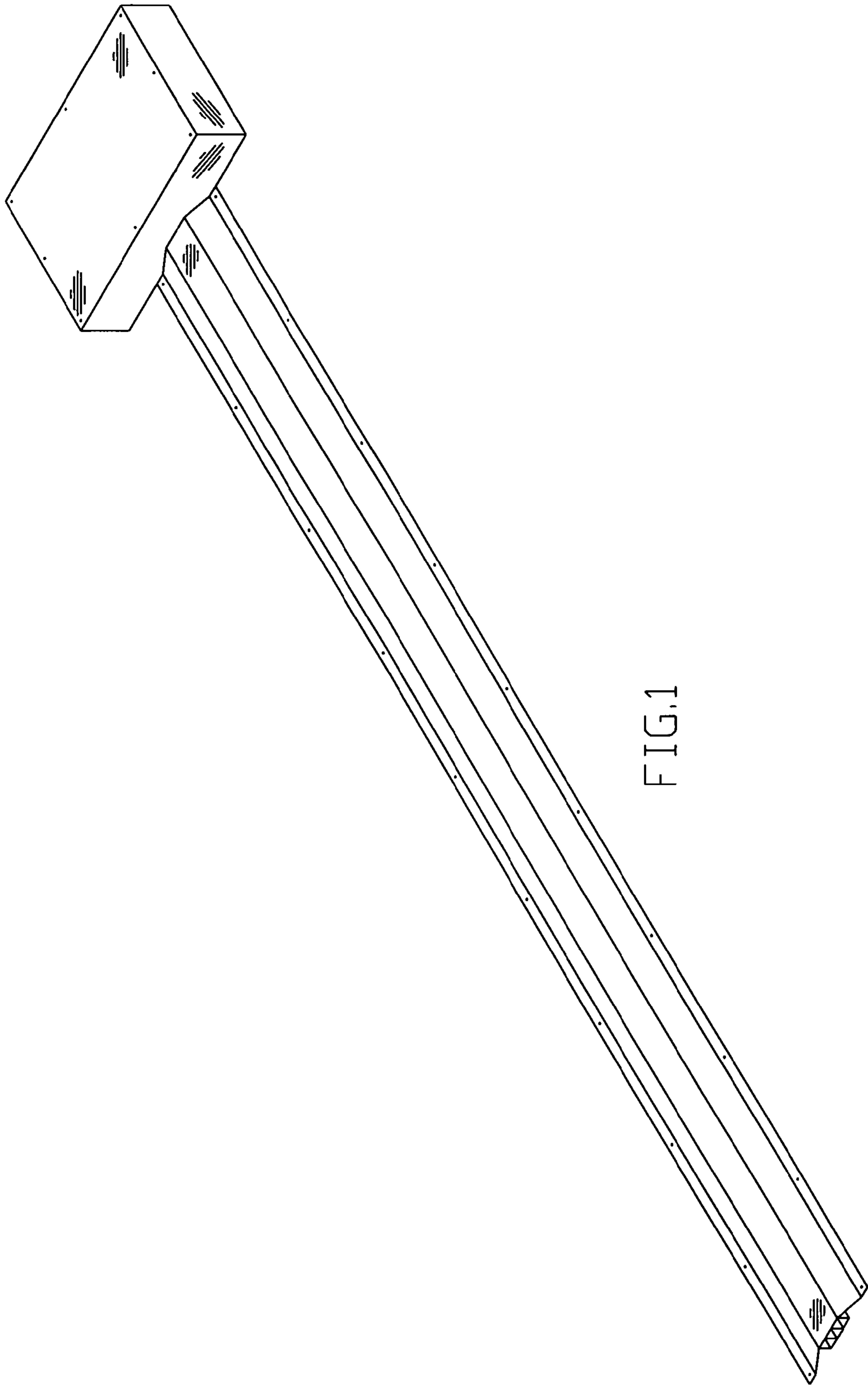
* cited by examiner

1 Claim, 7 Drawing Sheets

Primary Examiner — T. Chase Nelson

Assistant Examiner — Eric Goodman





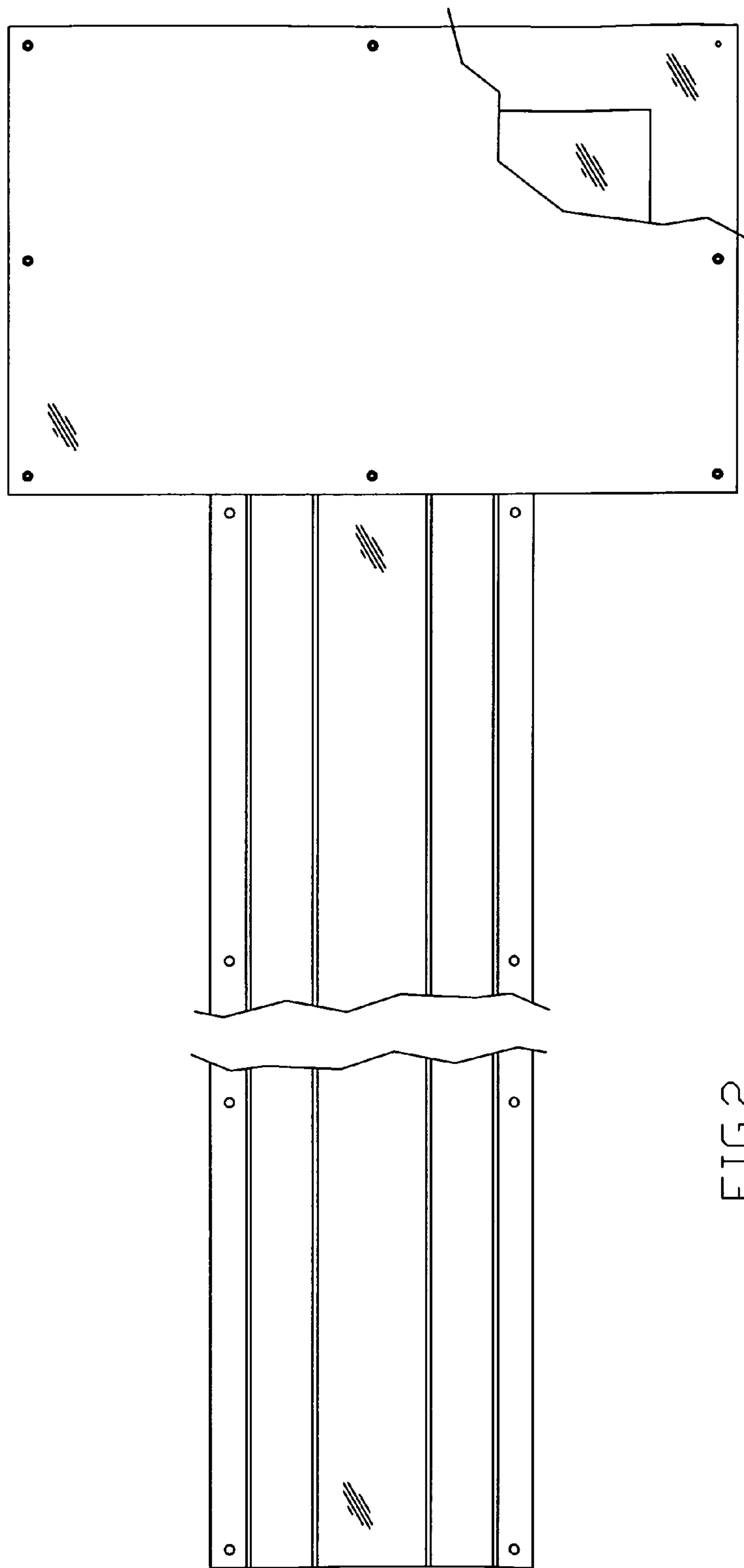


FIG.2

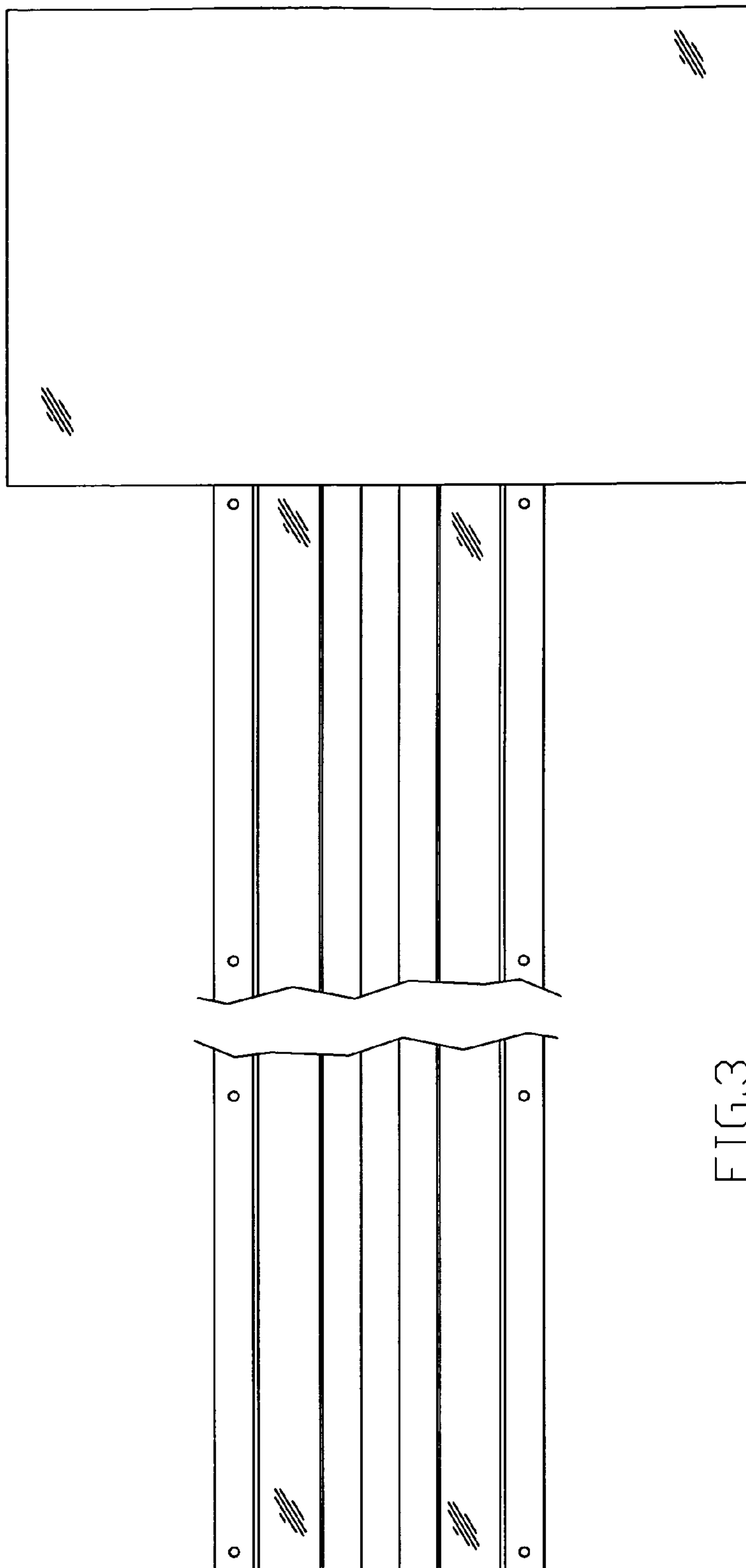


FIG.3

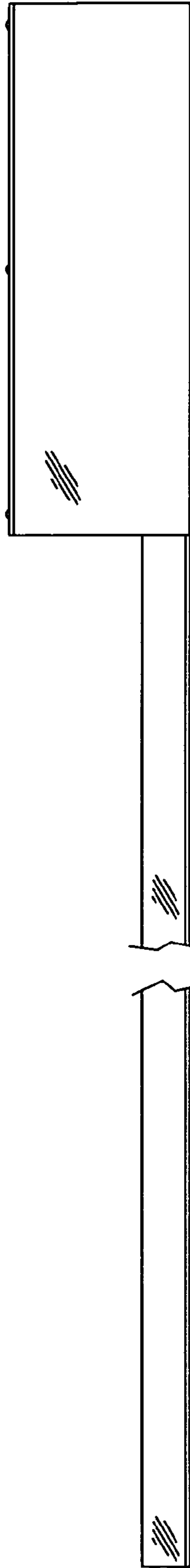


FIG.4

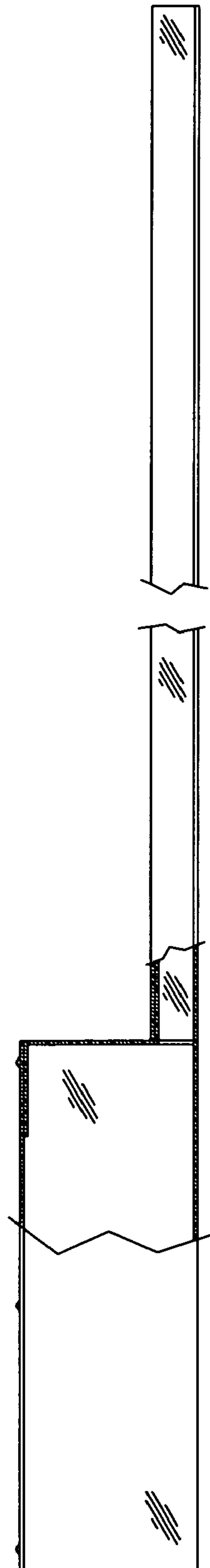


FIG.5

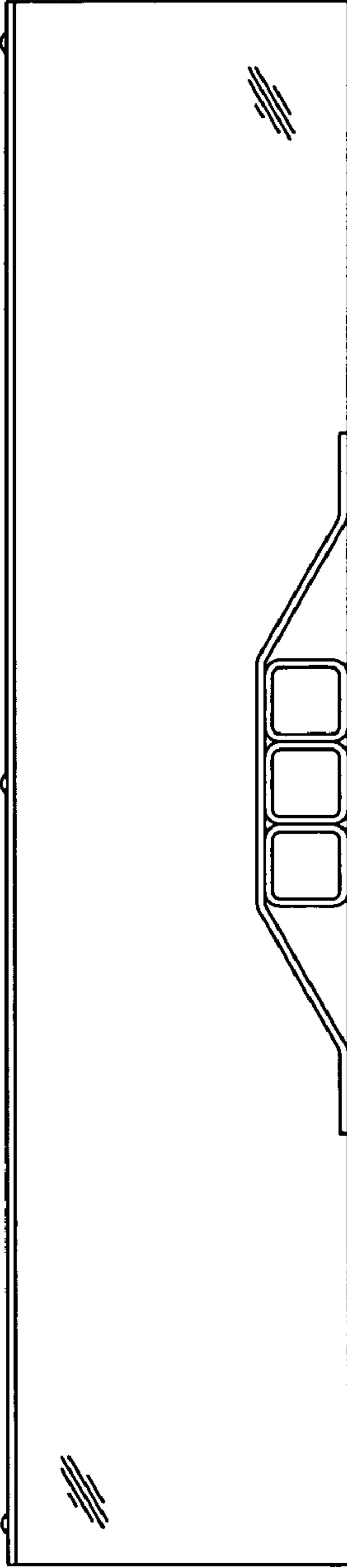


FIG.6

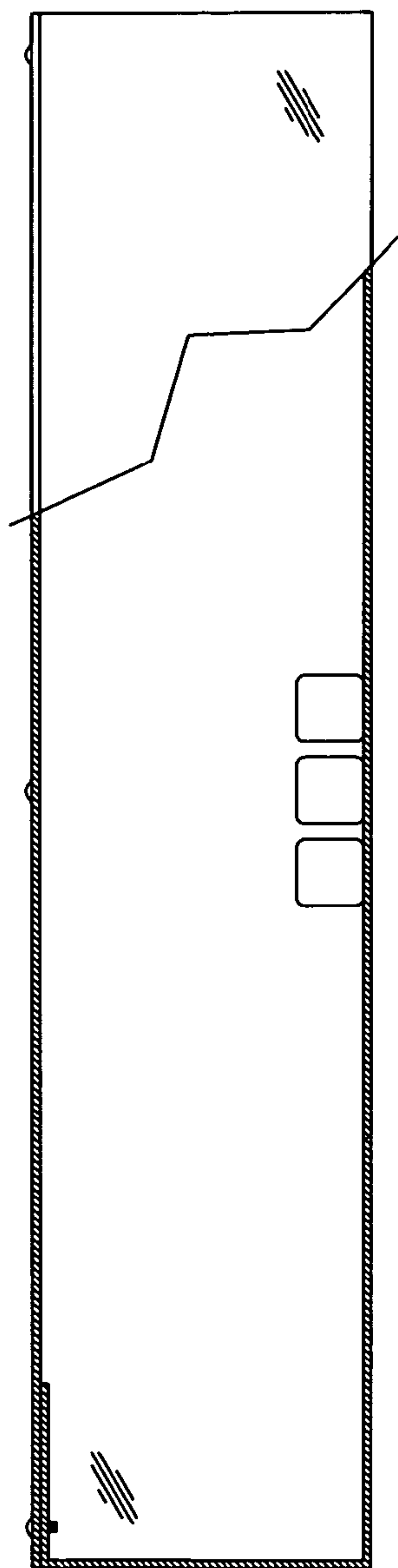


FIG. 7