

US00D654151S

(12) **United States Design Patent**
Nease et al.

(10) **Patent No.:** **US D654,151 S**
(45) **Date of Patent:** **** Feb. 14, 2012**

(54) **ANTI-PIRACY NOZZLE**
(75) Inventors: **Timothy D. Nease**, Hickory, PA (US);
Ralph H. Pundt, Brooksville, ME (US);
Larry Wilkinson, Vicksburg, MI (US);
Christy Pecanty, legal representative,
Vicksburg, MS (US); **John C. Lee**,
Camano Island, WA (US); **Larry V.**
Wade, Bradley, ME (US)

(73) Assignee: **International Maritime Security**
Network, LLC, Wellsburg, WV (US)

(**) Term: **14 Years**

(21) Appl. No.: **29/368,852**

(22) Filed: **Aug. 31, 2010**

(51) **LOC (9) Cl.** **23-01**

(52) **U.S. Cl.** **D23/260**

(58) **Field of Classification Search** D23/260–261;
239/201, 458, 722; 285/239, 458; 40/316;
138/89, 109–110, 119, 134, 135; D8/397;
D9/454

See application file for complete search history.

(56) **References Cited**

U.S. PATENT DOCUMENTS

4,097,000	A	6/1978	Derr	
D257,057	S *	9/1980	Logsdon	D23/260
D294,171	S *	2/1988	Kostanecki et al.	D23/260
D367,702	S *	3/1996	Martin	D23/260
5,823,447	A	10/1998	Maybach	
D413,164	S *	8/1999	Lord	D23/238
6,164,317	A *	12/2000	Hanson	137/377
6,360,973	B1	3/2002	Stilli	
D468,002	S *	12/2002	Steffan	D23/260

D473,935	S *	4/2003	Braun	D23/260
D486,891	S *	2/2004	Cronce, Jr.	D23/260
6,866,211	B2	3/2005	Paulsen et al.	
D534,076	S *	12/2006	Green et al.	D9/435
7,163,163	B2	1/2007	Waddelow	
D555,231	S *	11/2007	Boshart et al.	D23/261
D576,714	S *	9/2008	Florence	D23/261
D614,266	S *	4/2010	Lewis	D23/260
7,708,211	B2	5/2010	Maier et al.	
D625,782	S *	10/2010	Lewis	D23/260
D646,362	S *	10/2011	Olateru et al.	D23/260
D647,183	S *	10/2011	Bertram	D23/260
D649,229	S *	11/2011	Caine et al.	D23/260
2007/0069049	A1	3/2007	Lipthal	
2008/0116302	A1	5/2008	Sloan	
2011/0127358	A1 *	6/2011	Nease et al.	239/722

FOREIGN PATENT DOCUMENTS

WO WO 2004/075132 9/2004

* cited by examiner

Primary Examiner — T. Chase Nelson

Assistant Examiner — Eric Goodman

(74) *Attorney, Agent, or Firm* — McKay & Associates, P.C.

(57) **CLAIM**

The ornamental design for an anti-piracy nozzle, as shown.

DESCRIPTION

FIG. 1 is a perspective view of an anti-piracy nozzle showing our new design;

FIG. 2 is a front view thereof;

FIG. 3 is a rear view thereof;

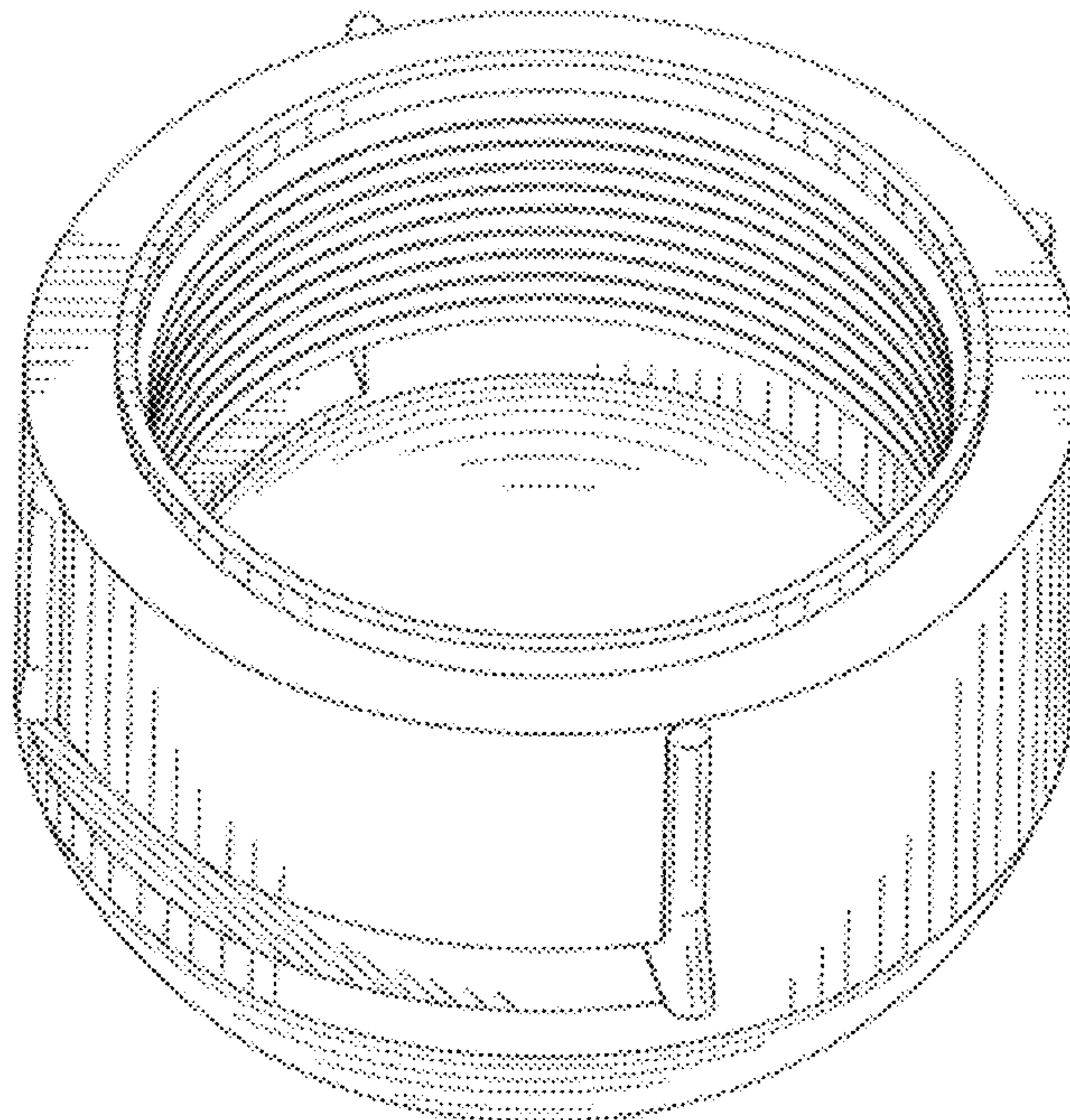
FIG. 4 is a right side view thereof;

FIG. 5 is a left side view thereof;

FIG. 6 is a top view thereof; and,

FIG. 7 is a bottom view thereof.

1 Claim, 4 Drawing Sheets



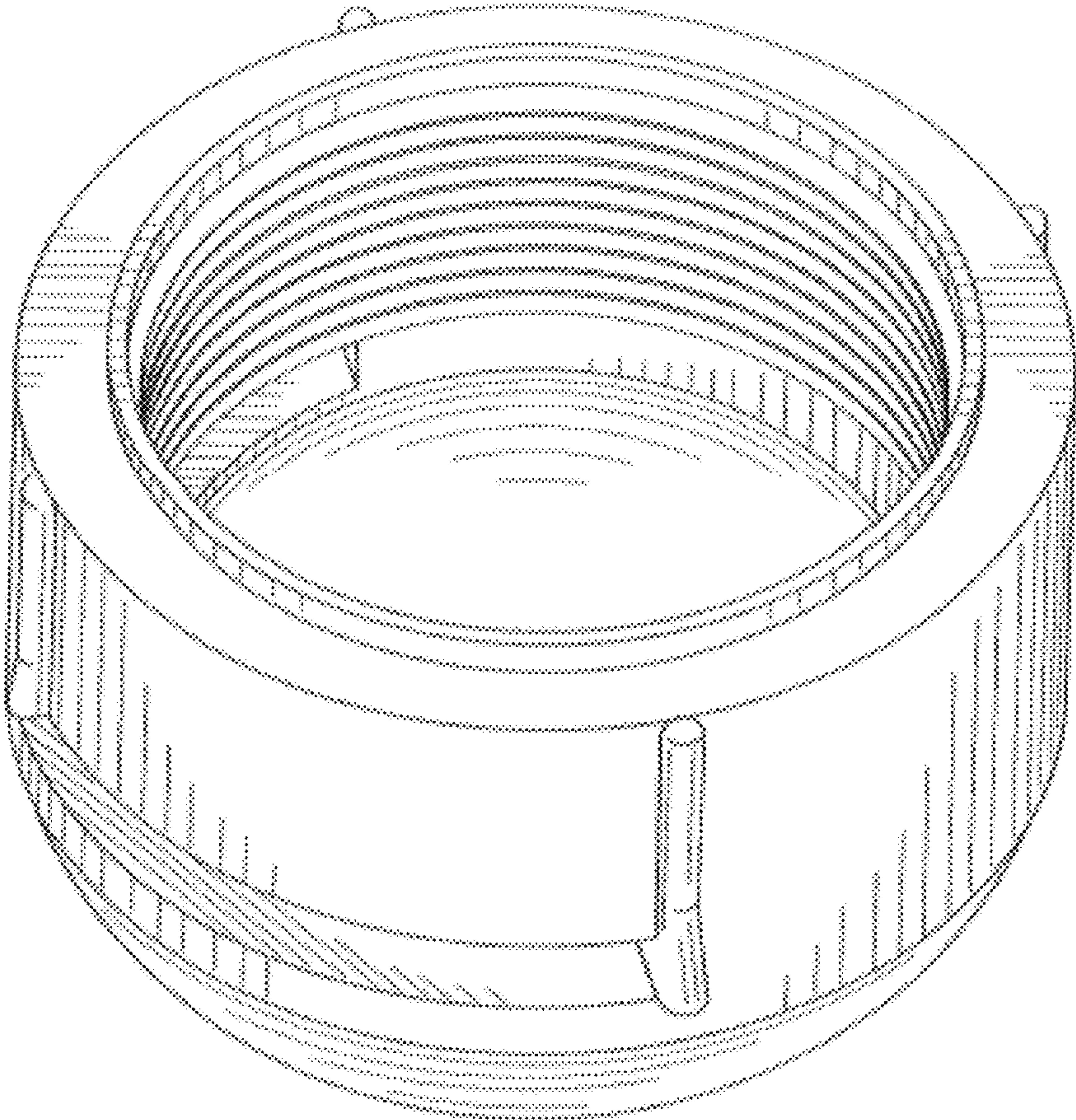


FIG. 1

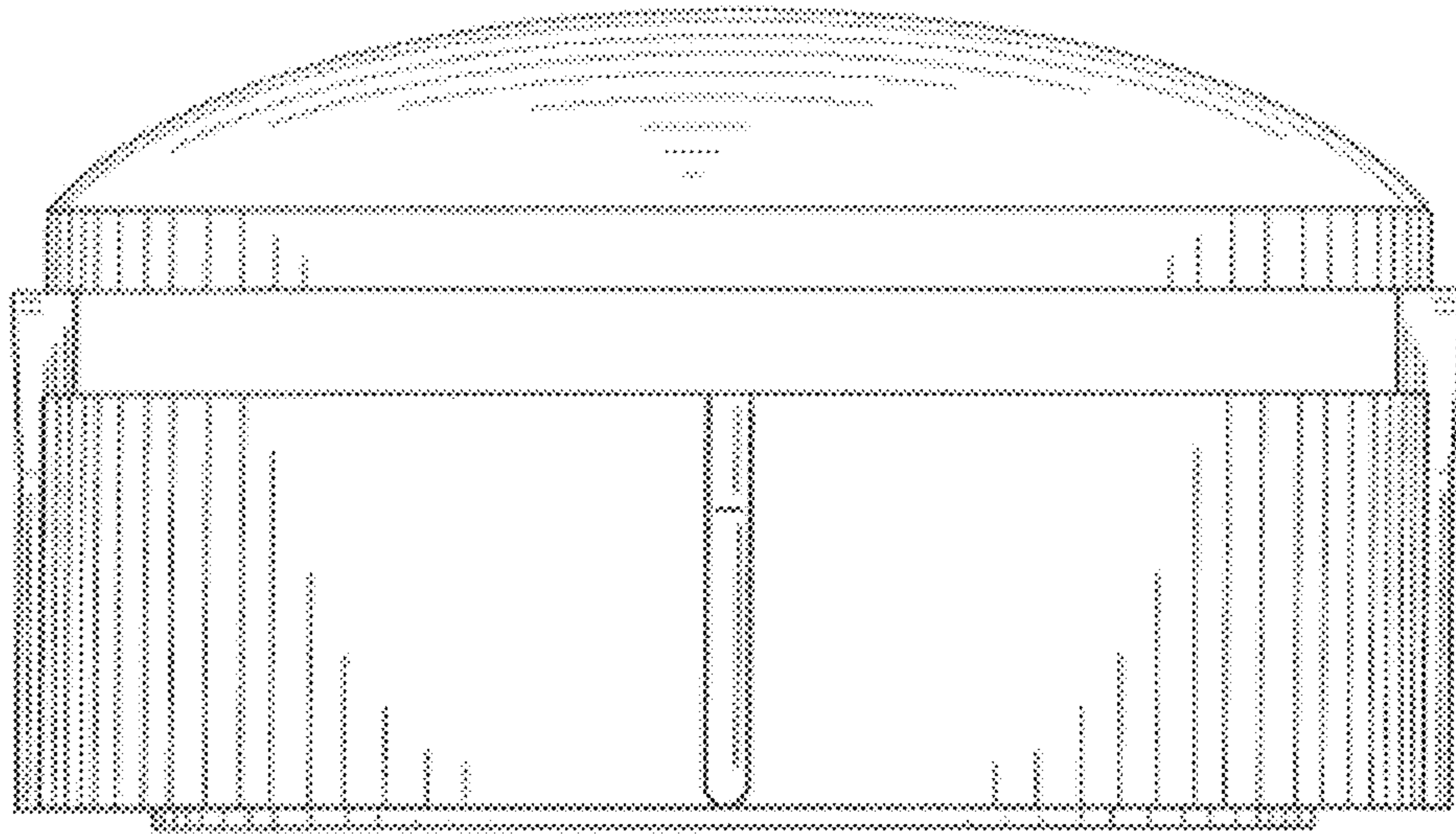


FIG. 2

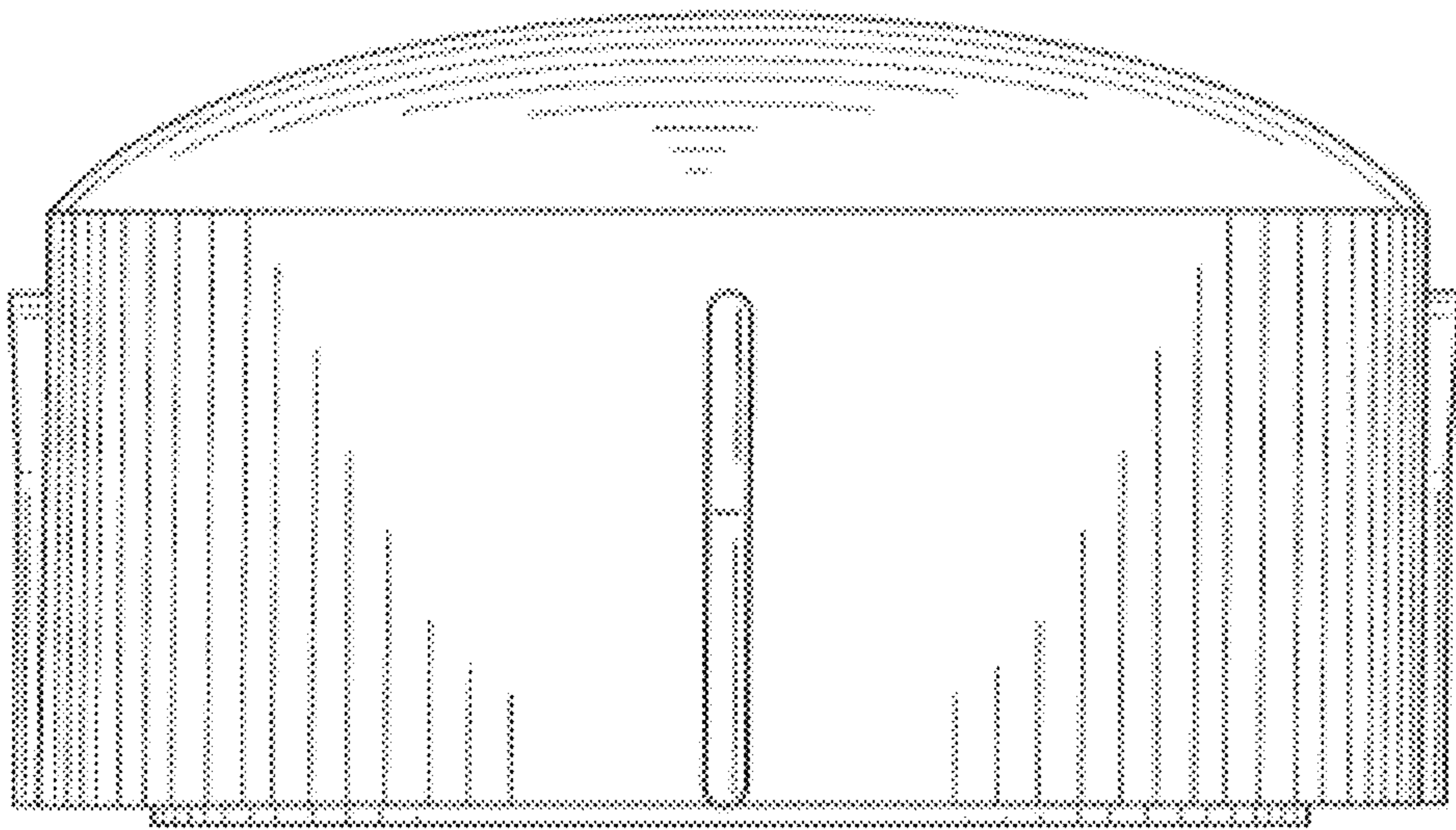


FIG. 3

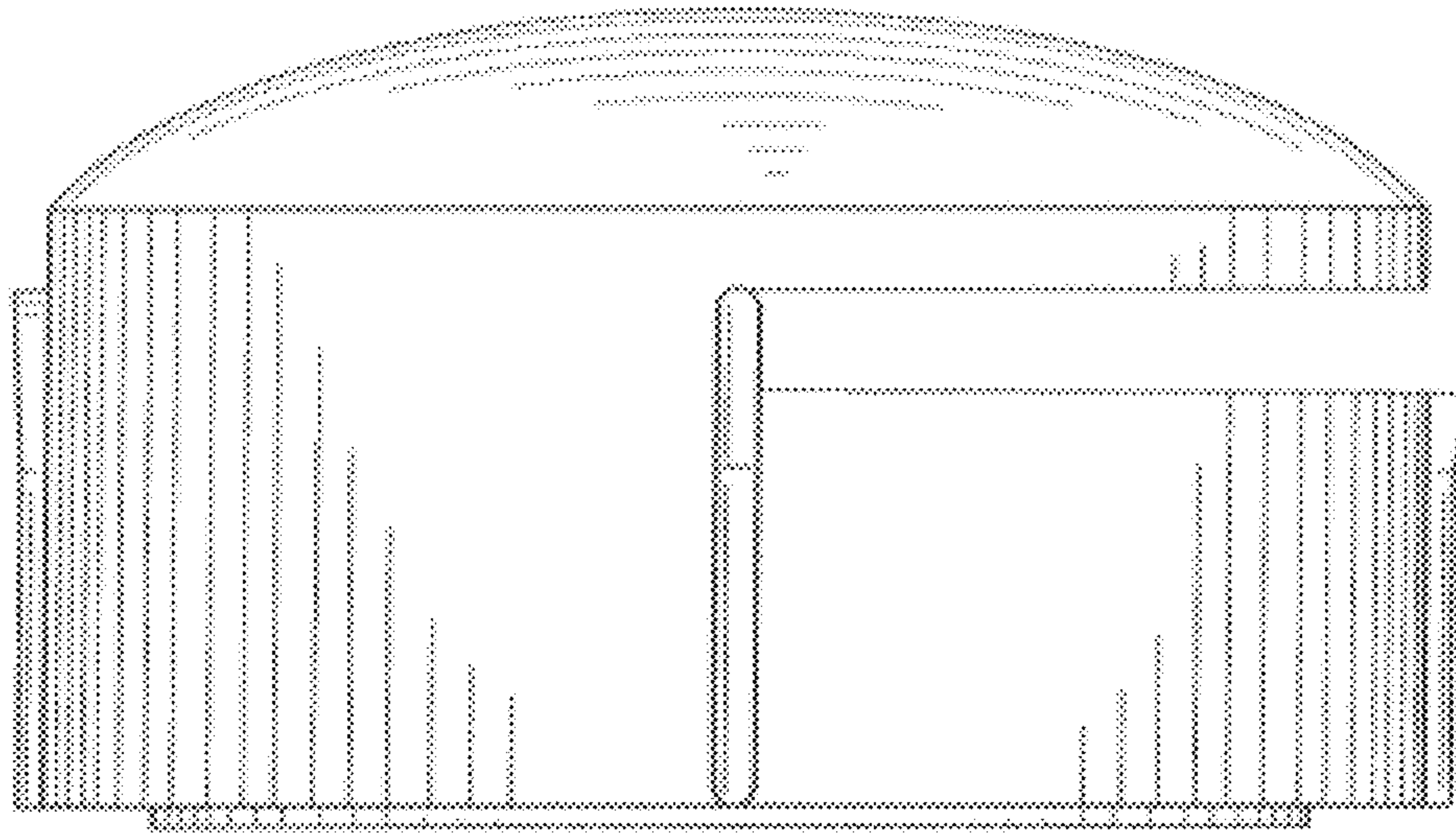


FIG. 4

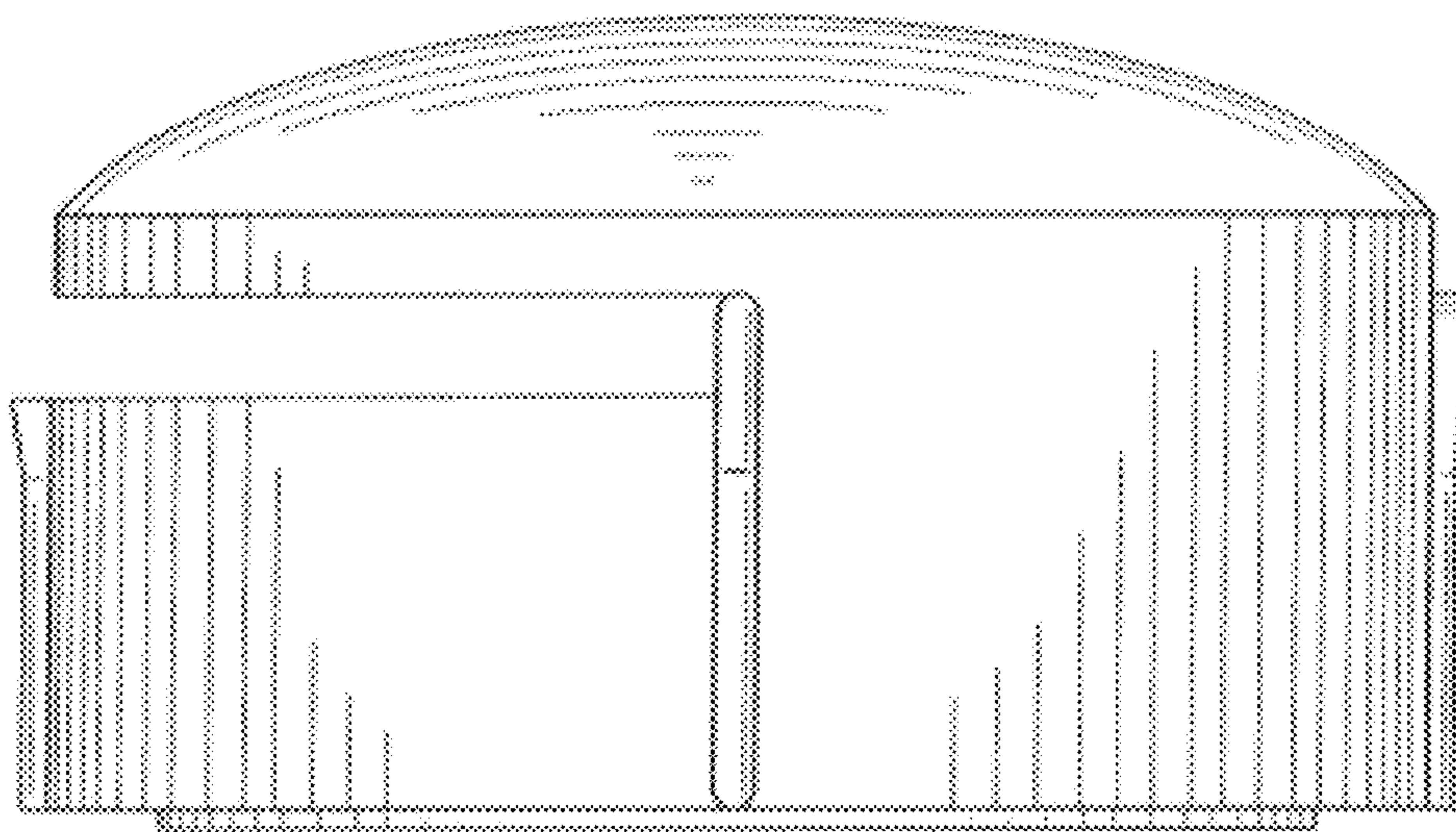


FIG. 5

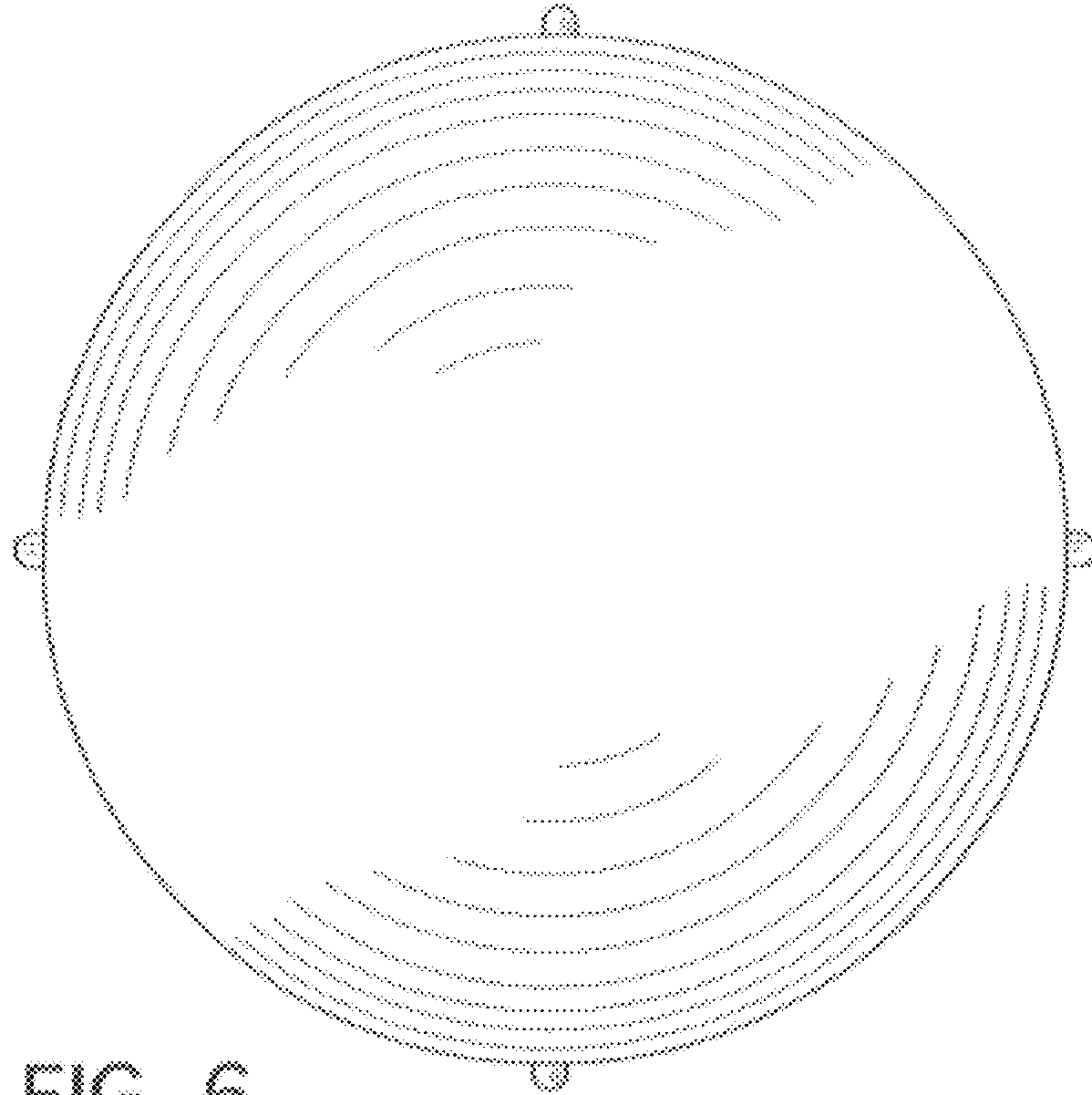


FIG. 6

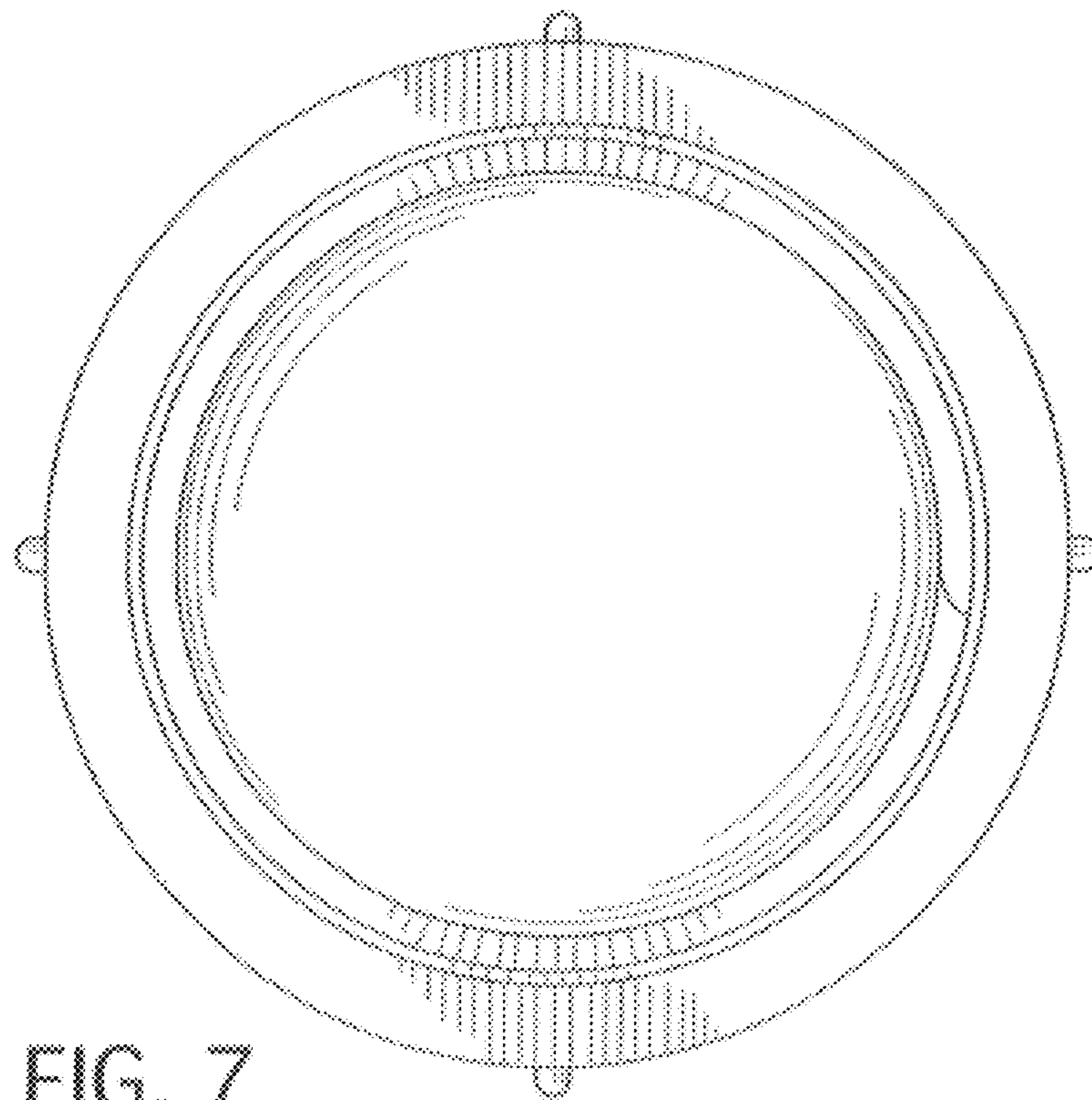


FIG. 7