



US00D654150S

(12) **United States Design Patent**  
**Bonhag et al.**

(10) **Patent No.:** **US D654,150 S**  
(45) **Date of Patent:** **\*\* Feb. 14, 2012**

(54) **BUILDING COMPONENT**

(75) Inventors: **Ehrenfried Bonhag**, Schwabach (DE);  
**Hansi Homburg**, Hochstadt a d Aisch  
(DE)

(73) Assignee: **Rehau AG + Co**, Rehau (DE)

(\*\*) Term: **14 Years**

(21) Appl. No.: **29/341,410**

(22) Filed: **Aug. 5, 2009**

(51) **LOC (9) Cl.** ..... **23-01**

(52) **U.S. Cl.** ..... **D23/259; D23/262**

(58) **Field of Classification Search** ..... D23/259-263;  
D8/387, 397; 4/286-287; 114/197; 138/89,  
138/91, 158; 217/110; 220/288; 222/552,  
222/554, 546, 563; 285/139.1, 148.18, 148.23,  
285/242, 251, 256, 353, 423, 921; 174/665,  
174/68.1, 68.3; 52/220.7

See application file for complete search history.

(56) **References Cited**

**U.S. PATENT DOCUMENTS**

D163,487 S *	5/1951	Schustack	.....	D23/263
D254,505 S *	3/1980	Parsons et al.	.....	D23/262
5,076,095 A *	12/1991	Erhardt	.....	73/49.8
D368,304 S *	3/1996	Morrison	.....	D23/262
D389,562 S *	1/1998	Picton	.....	D23/263
D407,802 S *	4/1999	Hatfield et al.	.....	D23/262
D453,815 S *	2/2002	Hoening	.....	D23/259
D454,940 S *	3/2002	Hoening	.....	D23/259
D475,780 S *	6/2003	Stout, Jr.	.....	D23/393

D480,786 S *	10/2003	Wilk et al.	.....	D23/263
D481,109 S *	10/2003	Dole et al.	.....	D23/263
D481,110 S *	10/2003	Snyder et al.	.....	D23/263
D482,103 S *	11/2003	Snyder et al.	.....	D23/263
D517,176 S *	3/2006	Wilk et al.	.....	D23/262
D518,559 S *	4/2006	Ostergaard et al.	.....	D23/262
D527,091 S *	8/2006	Stout, Jr.	.....	D23/393
7,281,411 B2 *	10/2007	Brewer	.....	73/49.1
D582,457 S *	12/2008	Davies et al.	.....	D15/199
D614,737 S *	4/2010	Lass	.....	D23/262
D615,631 S *	5/2010	Price et al.	.....	D23/263
D627,863 S *	11/2010	Ball	.....	D23/262

\* cited by examiner

*Primary Examiner* — Celia A. Murphy

*Assistant Examiner* — John Windmuller

(74) *Attorney, Agent, or Firm* — Moetteli & Associés SàRL

(57) **CLAIM**

The ornamental design for a building component, as shown and described.

**DESCRIPTION**

FIG. 1 is a plan view of a building component showing our new design.

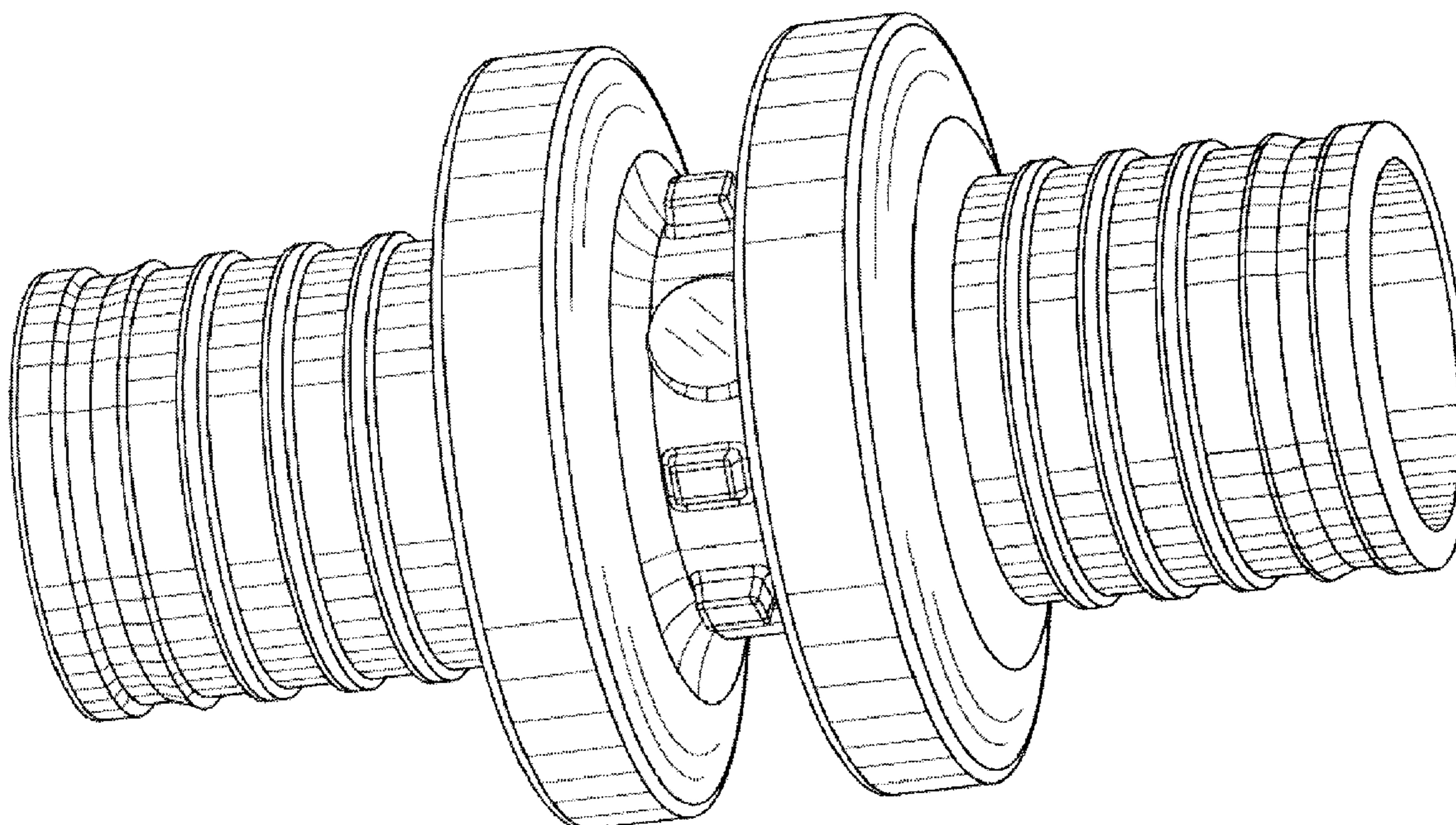
FIG. 2 is a perspective view of the building component showing our new design.

FIG. 3 is a top view of the building component showing our new design.

FIG. 4 is a right side view of the building component showing our new design; and,

FIG. 5 is a bottom view of the building component showing our new design.

**1 Claim, 5 Drawing Sheets**



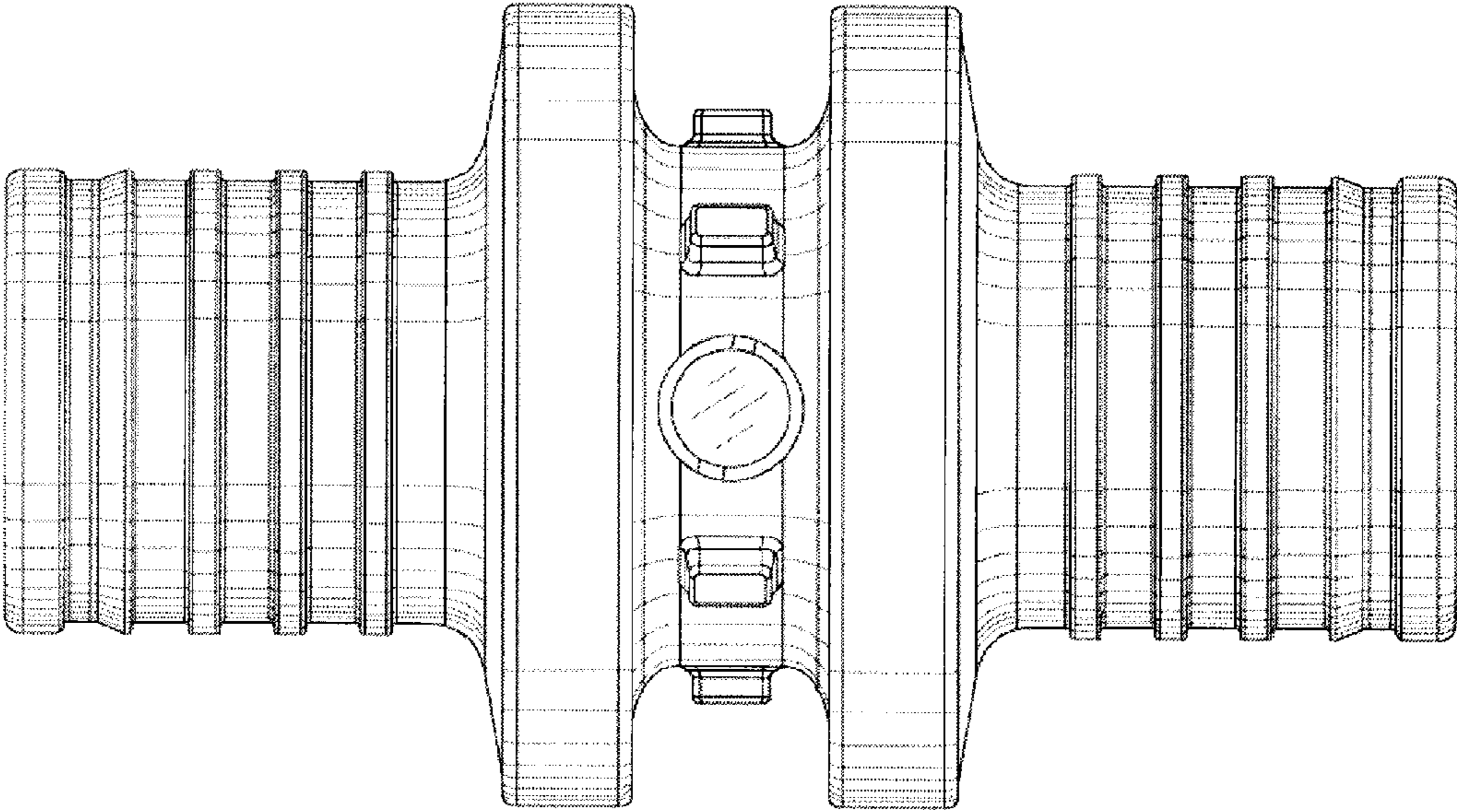


FIG. 1

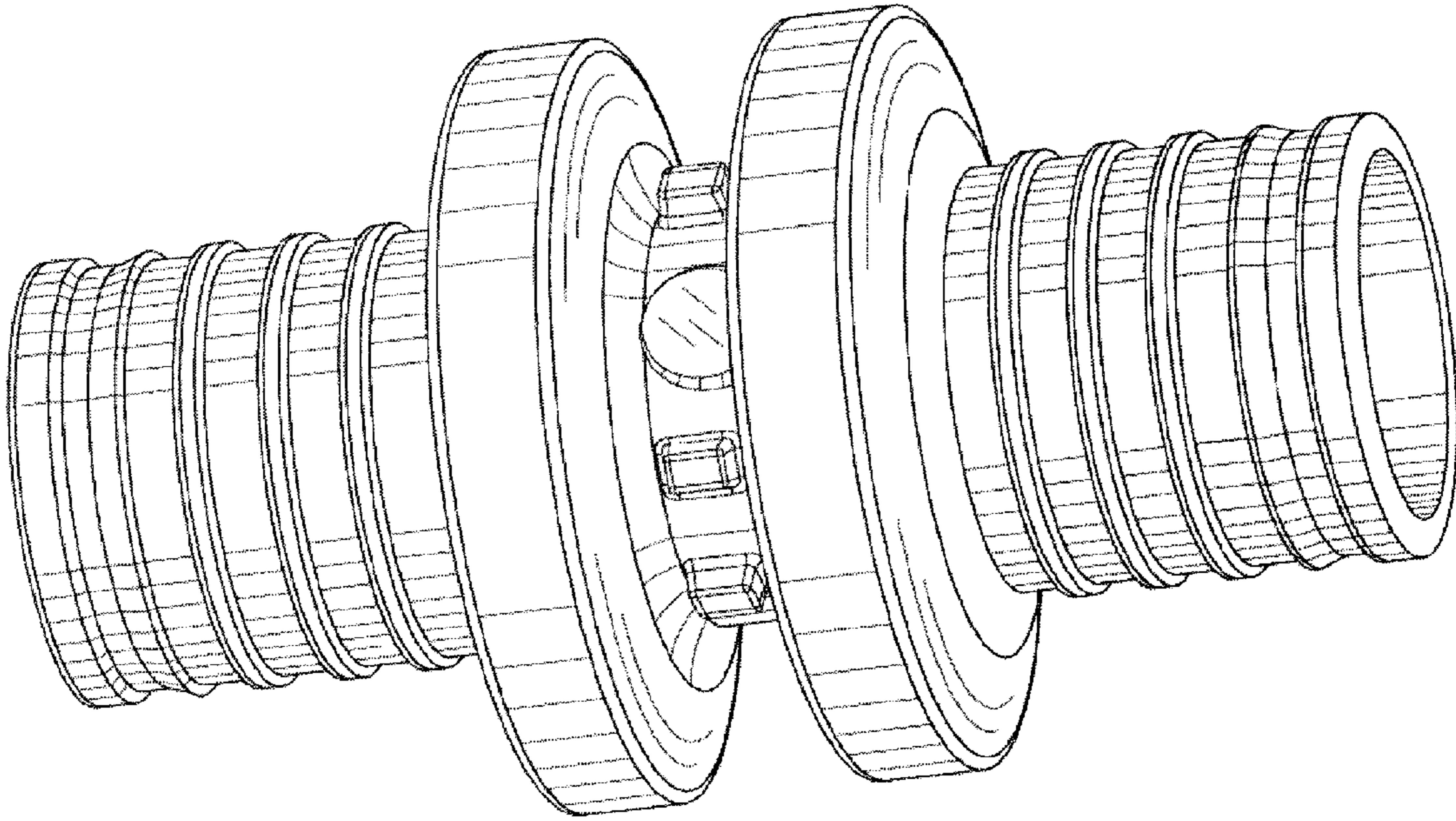


FIG. 2

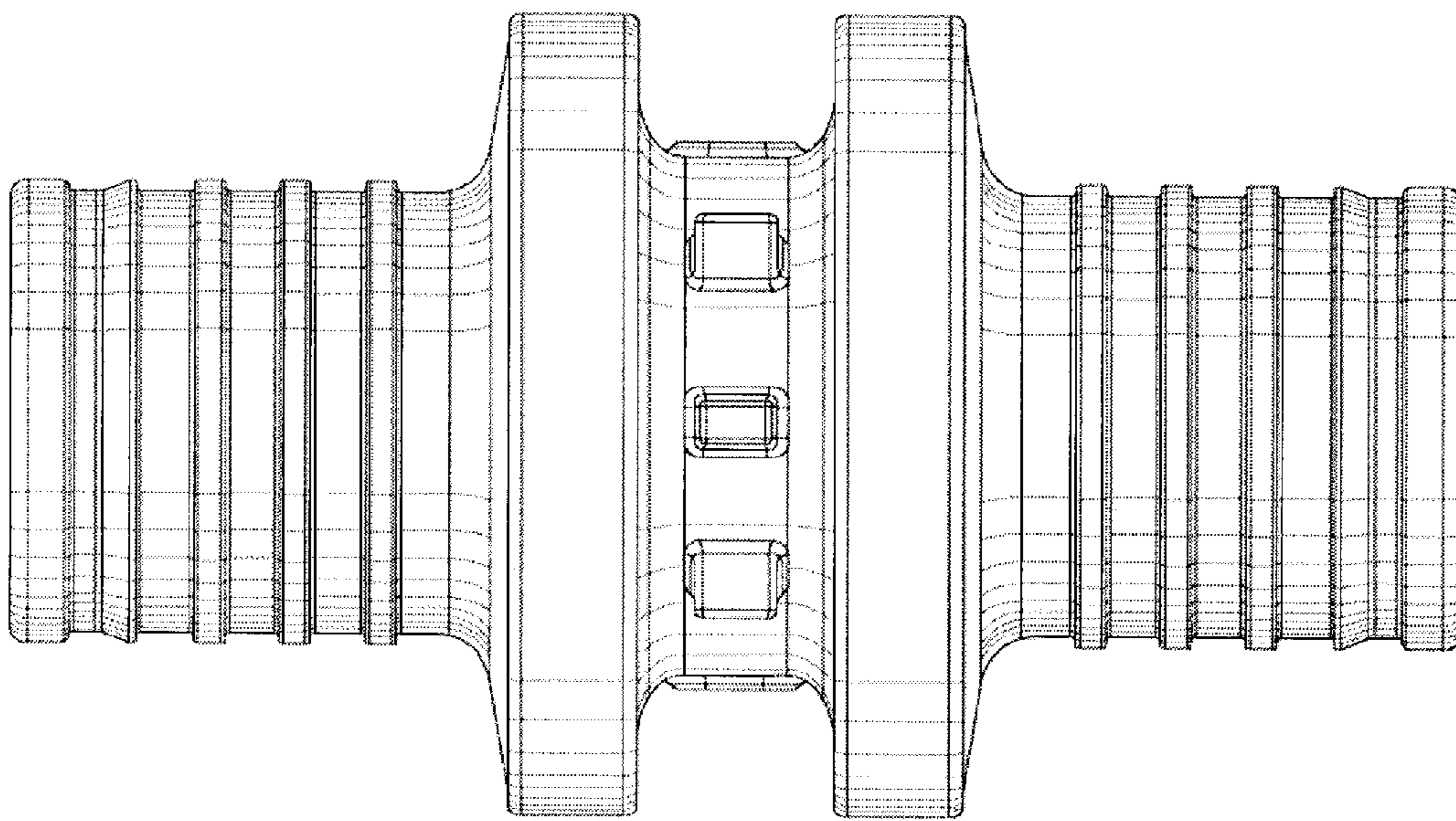


FIG. 3

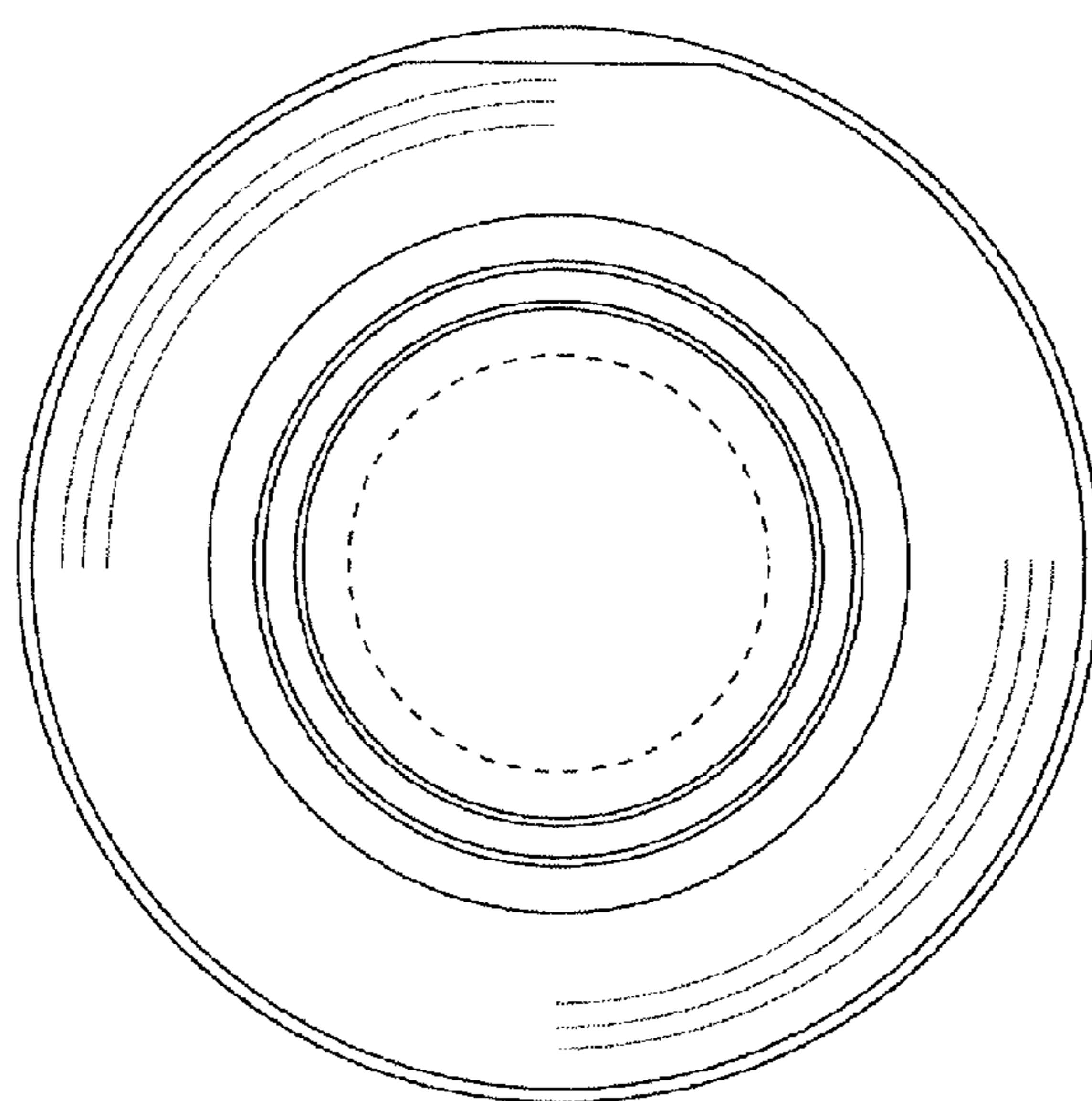


FIG. 4

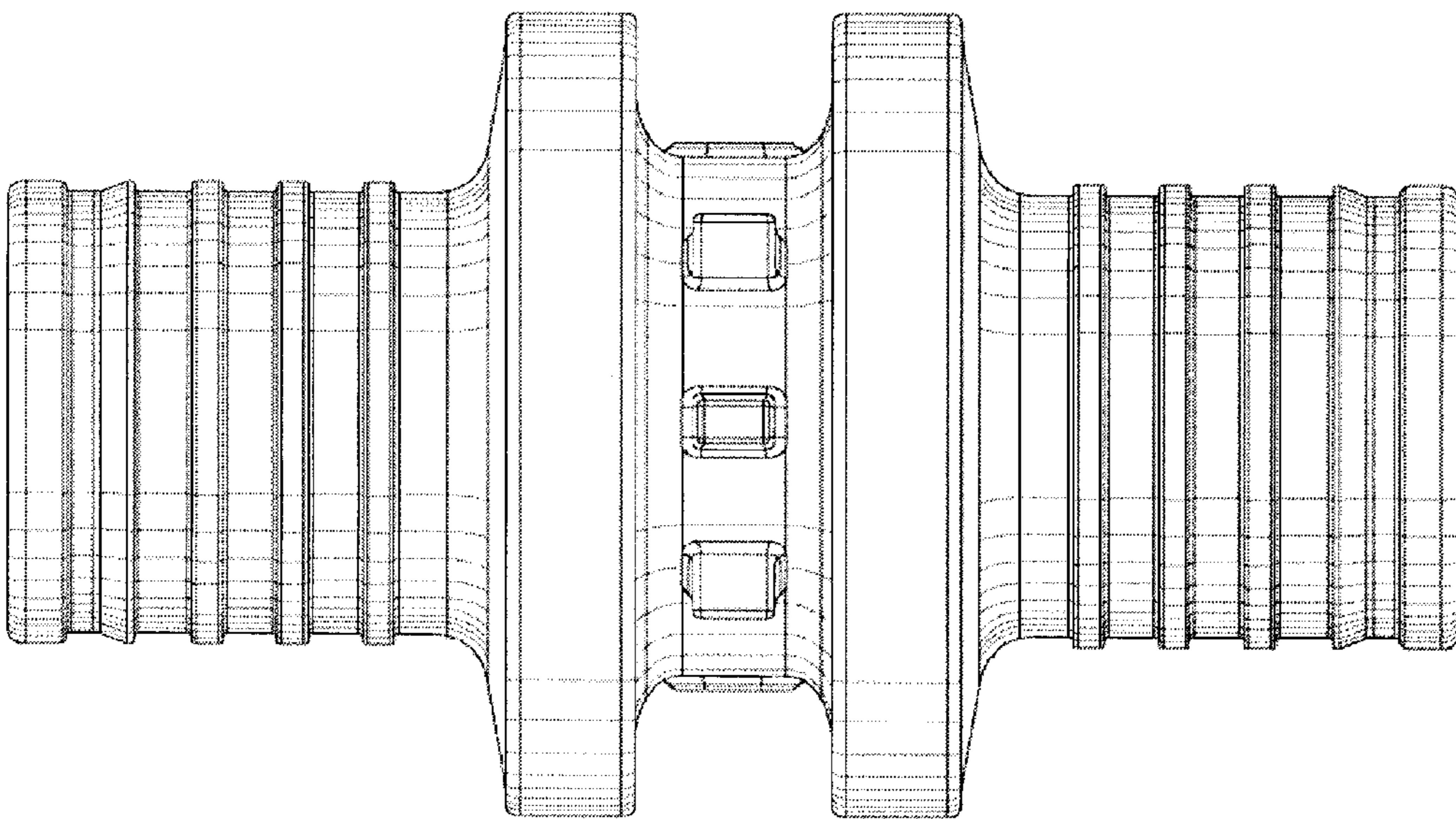


FIG. 5