



US00D654148S

(12) **United States Design Patent**
Romero

(10) **Patent No.:** **US D654,148 S**

(45) **Date of Patent:** **** *Feb. 14, 2012**

(54) **FAUCET ASSEMBLY**

(75) **Inventor:** **Emilie Williams Romero**, Chicago, IL (US)

(73) **Assignee:** **Masco Corporation of Indiana**, Indianapolis, IN (US)

(*) **Notice:** This patent is subject to a terminal disclaimer.

(**) **Term:** **14 Years**

(21) **Appl. No.:** **29/362,203**

(22) **Filed:** **May 21, 2010**

(51) **LOC (9) Cl.** **23-01**

(52) **U.S. Cl.** **D23/242**

(58) **Field of Classification Search** D23/238,
D23/242-243, 250, 252-254, 255, 257; 4/675-678;
137/801

See application file for complete search history.

(56) **References Cited**

U.S. PATENT DOCUMENTS

D535,363 S * 1/2007 Williams D23/241
D601,664 S * 10/2009 Bailey D23/241
D612,016 S * 3/2010 Williams D23/242

* cited by examiner

Primary Examiner — Robert A Delehanty
(74) *Attorney, Agent, or Firm* — Edgar A. Zarins; Nirav D. Parikh

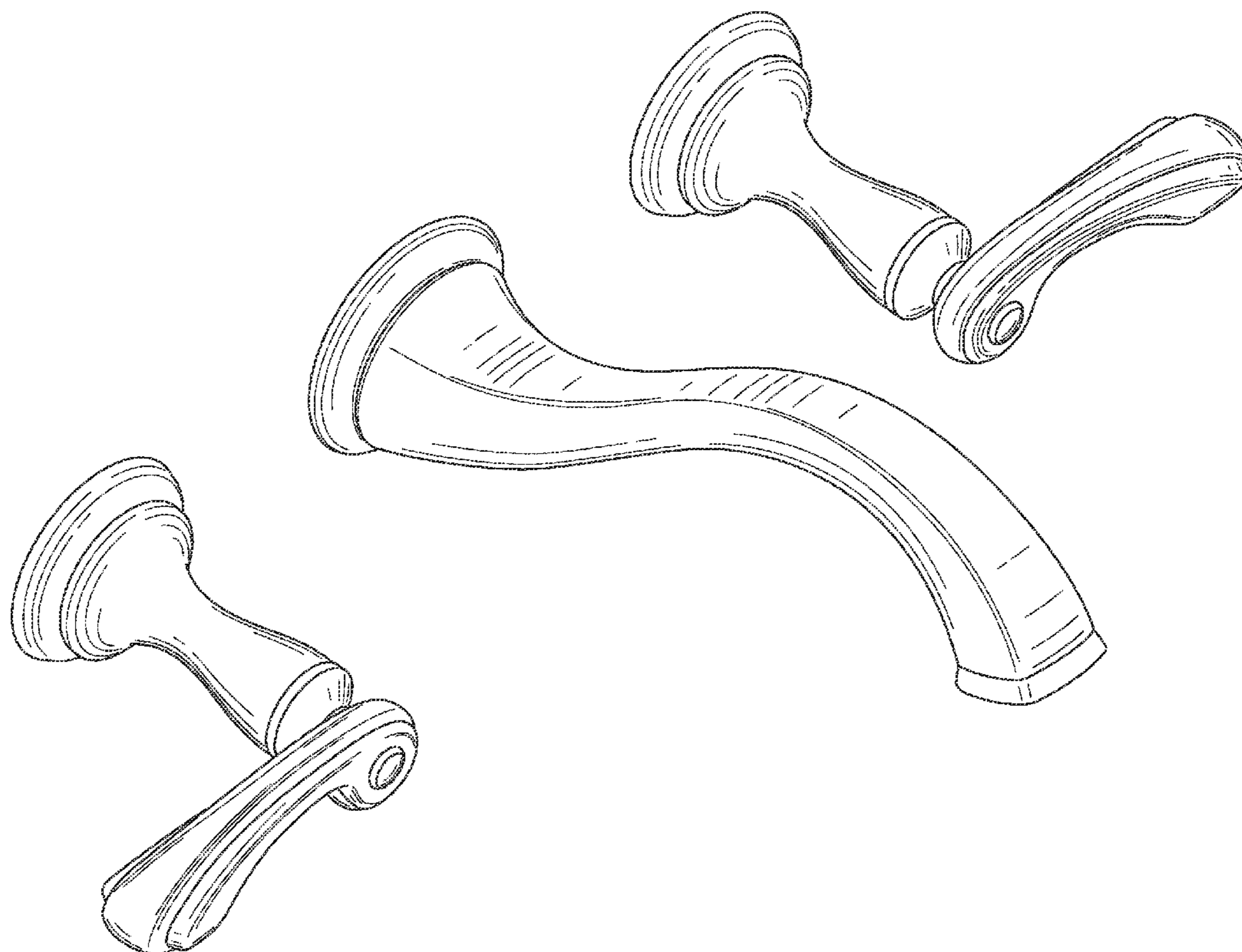
(57) **CLAIM**

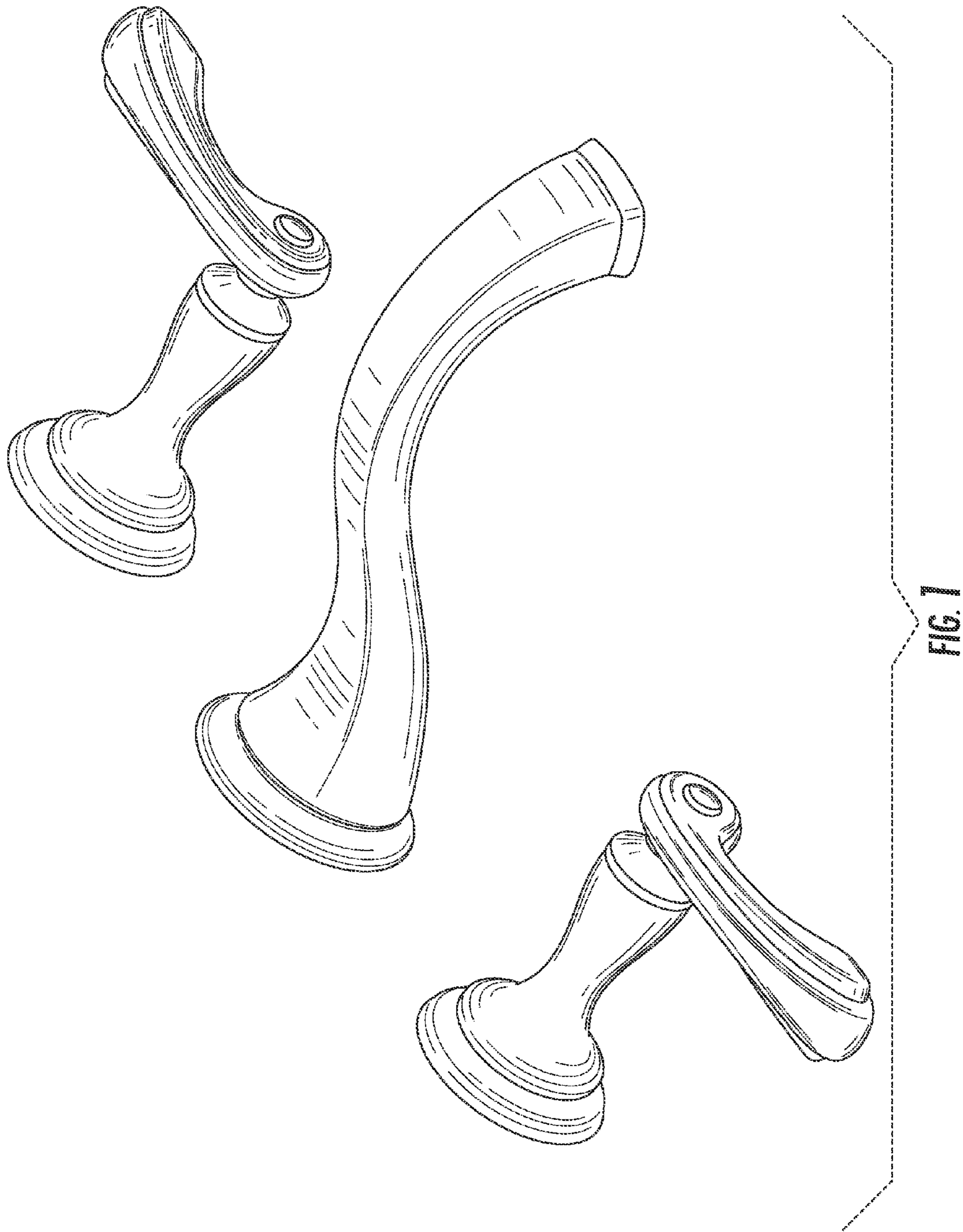
The ornamental design for a faucet assembly, as shown and described.

DESCRIPTION

FIG. 1 is a perspective view of a faucet assembly showing my new design;
FIG. 2 is a front elevational view thereof;
FIG. 3 is a right side elevational view thereof;
FIG. 4 is a left side elevational view thereof;
FIG. 5 is a top plan view thereof; and,
FIG. 6 is a bottom plan view thereof.
The broken line showing the spout opening is included for the purpose of illustrating a portion of the faucet assembly that forms no part of the claimed design.

1 Claim, 5 Drawing Sheets





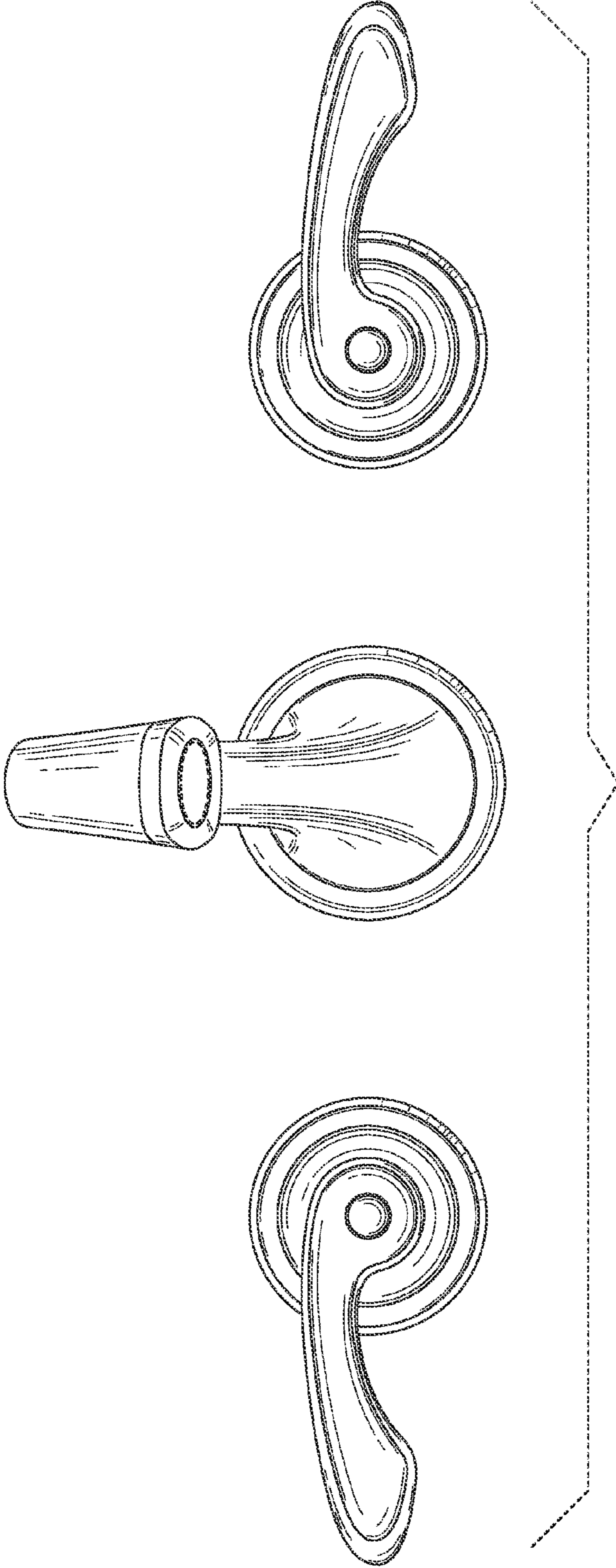


FIG. 2

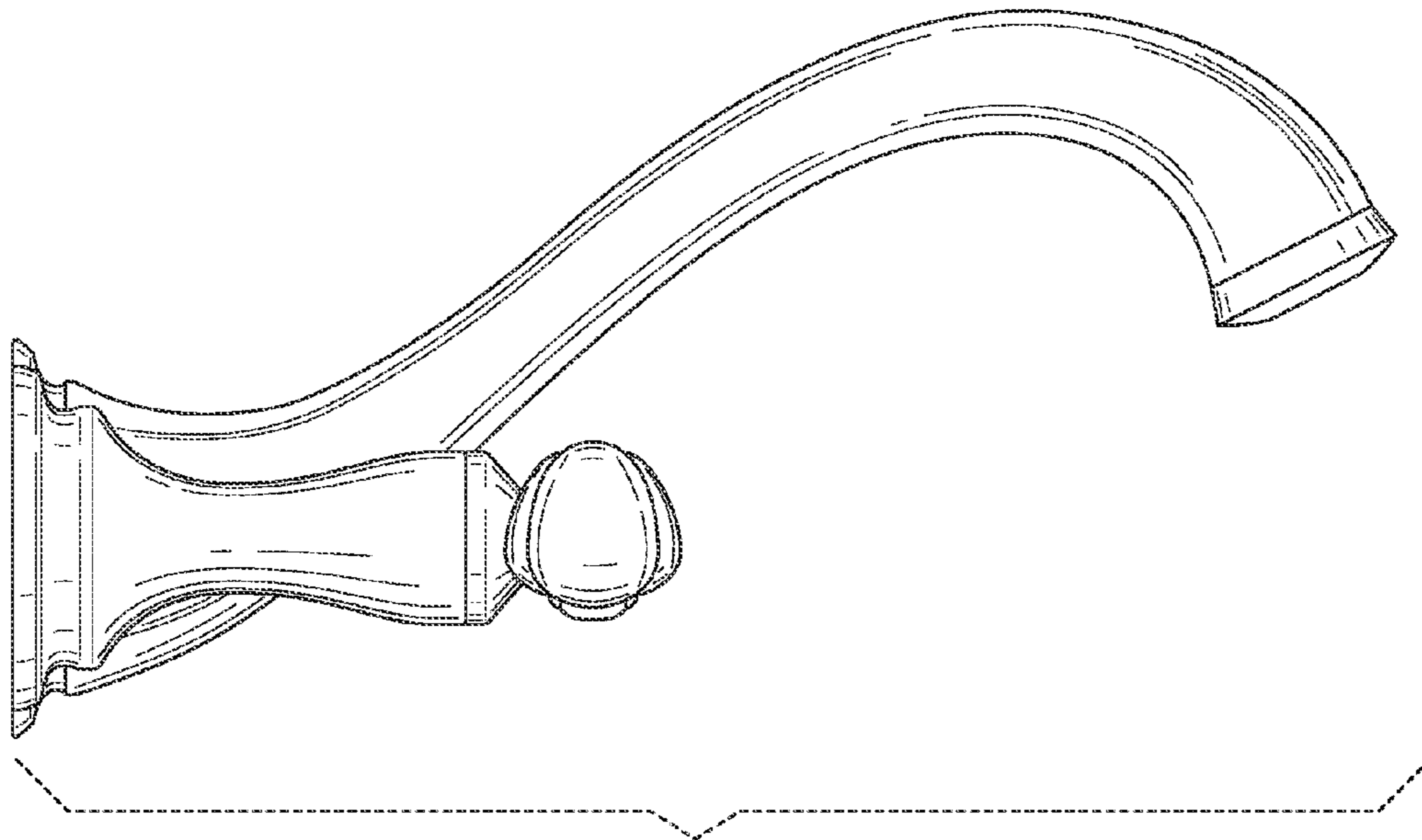


FIG. 3

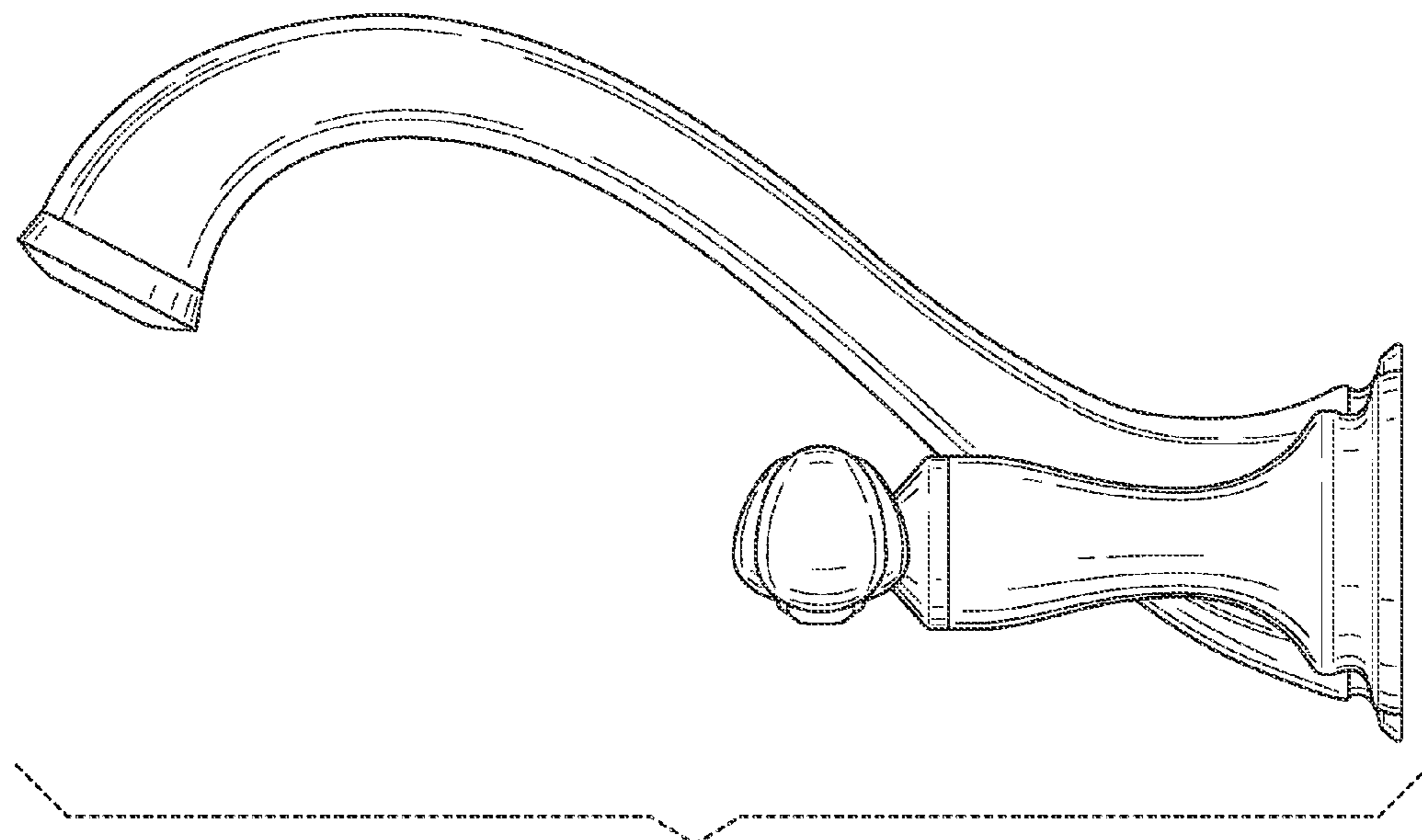


FIG. 4

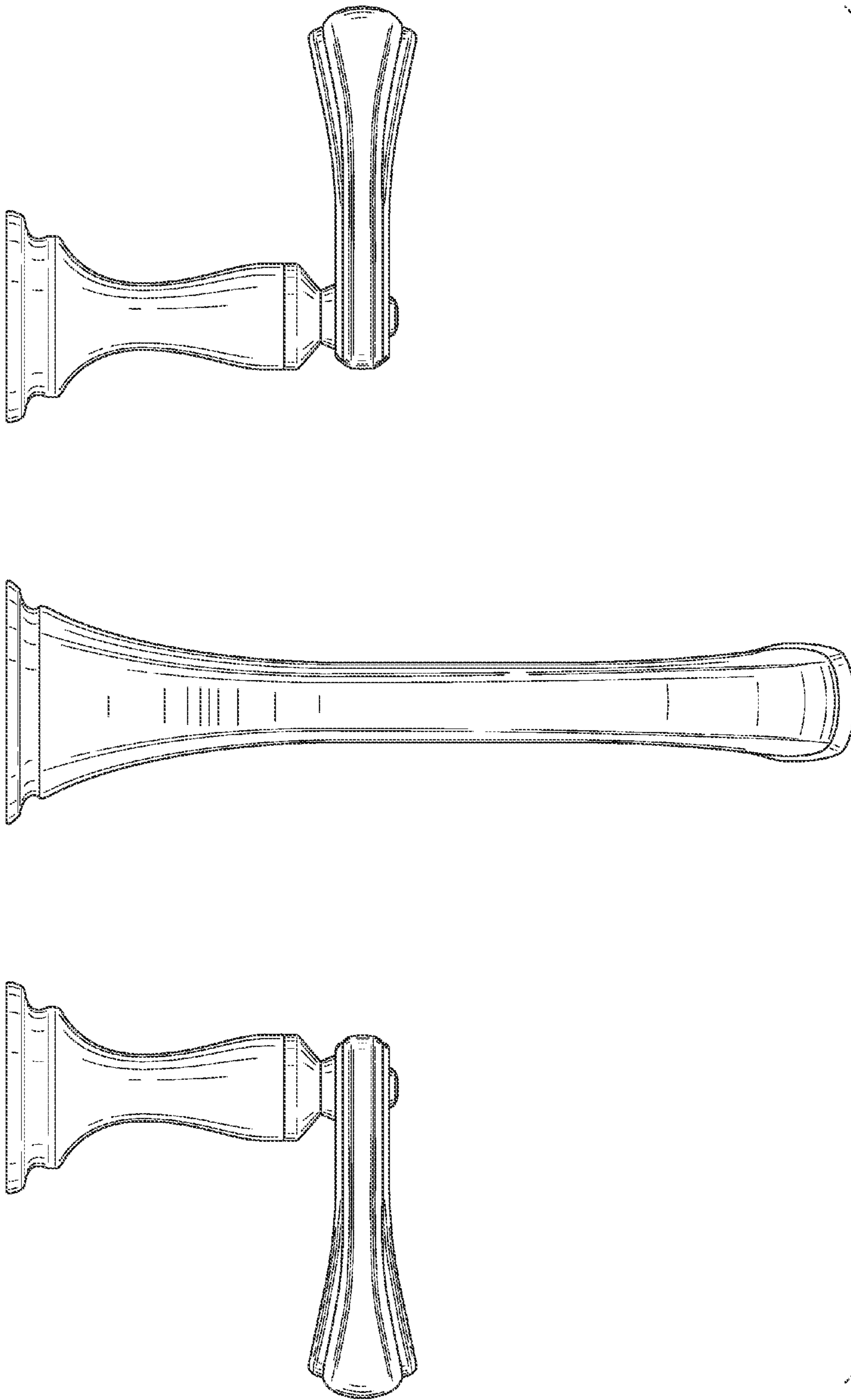


FIG. 5

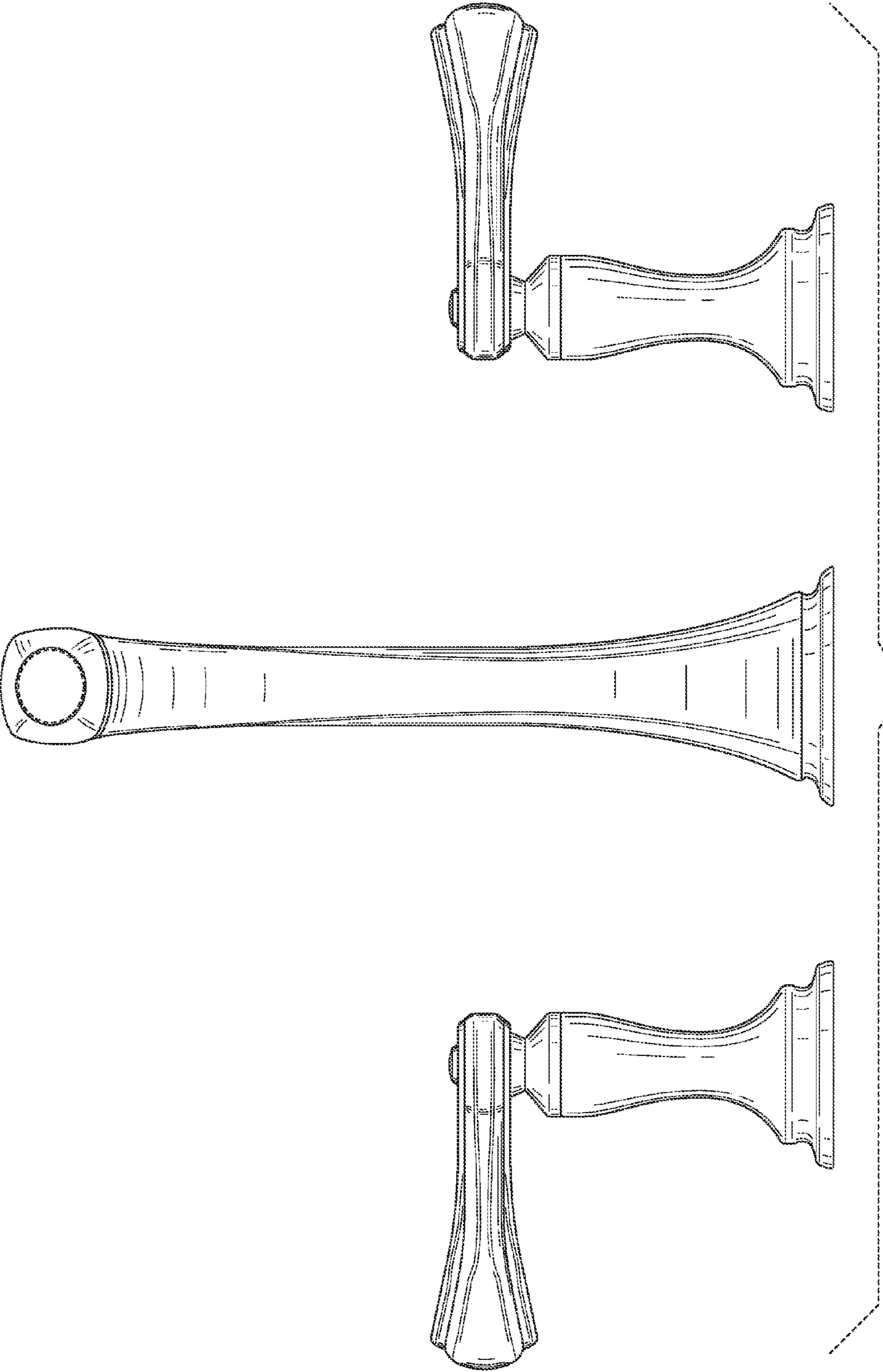


FIG. 6