



US00D654147S

(12) **United States Design Patent**  
**Bell et al.**

(10) **Patent No.:** **US D654,147 S**

(45) **Date of Patent:** **\*\* Feb. 14, 2012**

(54) **FAUCET MOUNT DEVICE WITH PRESSURE FIT**

(75) Inventors: **Russell Bell**, Pleasanton, CA (US);  
**Patrick O'Loughlin**, Pleasanton, CA (US); **William Ouellette**, Pleasanton, CA (US)

(73) Assignee: **The Clorox Company**, Oakland, CA (US)

(\*\*) Term: **14 Years**

(21) Appl. No.: **29/389,121**

(22) Filed: **Apr. 6, 2011**

(51) **LOC (9) Cl.** ..... **23-01**

(52) **U.S. Cl.** ..... **D23/209**

(58) **Field of Classification Search** ..... D23/207,  
D23/209, 233, 235; 210/449, 433.1, 456,  
210/460; 239/428.5

See application file for complete search history.

(56) **References Cited**

**U.S. PATENT DOCUMENTS**

1,078,370	A *	11/1913	O'Connor	.....	210/449
2,334,802	A *	11/1943	Zuckermann	.....	210/335
D142,577	S *	10/1945	Morrow	.....	D23/207
D165,282	S *	11/1951	Graff	.....	D23/207
D197,940	S *	4/1964	Fortman	.....	D23/207
3,780,869	A *	12/1973	Krongos	.....	210/317
3,822,018	A *	7/1974	Krongos	.....	210/323.2
4,288,325	A *	9/1981	Lieberman	.....	210/449
4,316,623	A	2/1982	Kelly		
4,604,202	A *	8/1986	Movshovitz	.....	210/409
4,824,565	A *	4/1989	Middleton	.....	210/266
5,833,849	A	11/1998	Primdahl		
D410,728	S	6/1999	Kurth et al.		
6,258,266	B1	7/2001	Riback et al.		
6,457,614	B1	10/2002	Amidzich		
6,517,920	B1	2/2003	Schroder et al.		
6,565,749	B1	5/2003	Hou et al.		
6,641,727	B1	11/2003	Aldred et al.		
6,797,956	B2	9/2004	Benner		
D541,901	S *	5/2007	Baarman et al.	.....	D23/207
7,217,362	B2 *	5/2007	Hsiao	.....	210/232

D575,376	S *	8/2008	Somerby	.....	D23/239
D586,880	S	2/2009	Gaston et al.		
D592,728	S *	5/2009	Wang	.....	D23/207
D596,705	S	7/2009	Gaston et al.		
7,717,270	B2 *	5/2010	Boyd et al.	.....	210/460
D622,348	S	8/2010	Gaston et al.		
D637,693	S *	5/2011	Riedel	.....	D23/209
D644,297	S *	8/2011	Chen	.....	D23/209
2008/0086811	A1	4/2008	Yu		
2009/0163839	A1	6/2009	Alexander		
2010/0089472	A1	4/2010	Meza et al.		
2011/0073137	A1	3/2011	Dvorak		

**FOREIGN PATENT DOCUMENTS**

JP	2001 288793	11/2011
WO	WO 99 10069	3/1999
WO	WO 01 07090	2/2001
WO	WO 03 054310	7/2003
WO	03 051762	8/2003

\* cited by examiner

*Primary Examiner* — Robin V Webster

(74) *Attorney, Agent, or Firm* — Alok Goel

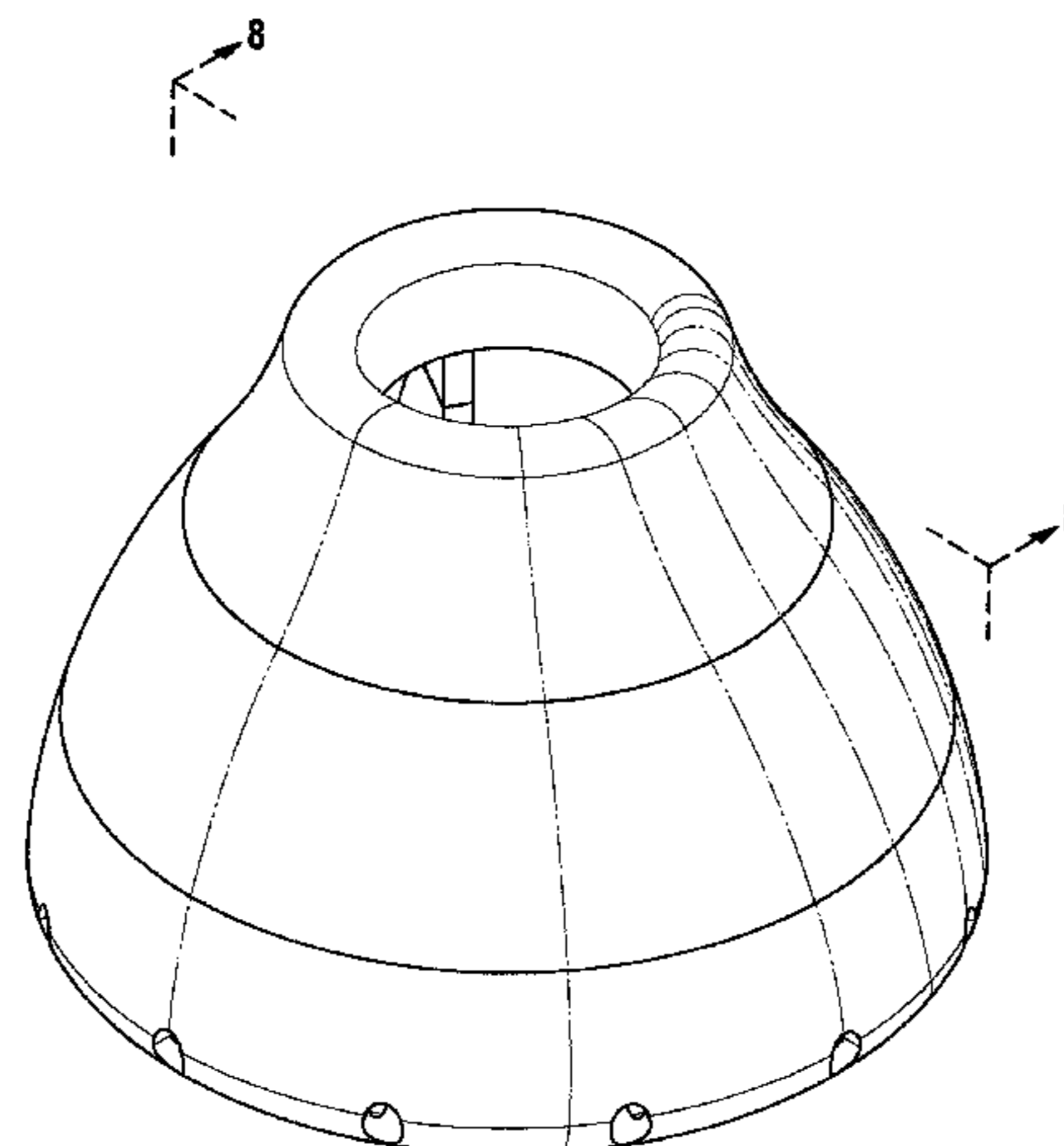
(57) **CLAIM**

The ornamental design for a faucet mount device with pressure fit, as shown and described.

**DESCRIPTION**

FIG. 1 is a top, front right perspective view of a faucet mount device with pressure fit configuration; FIG. 2 is an elevated right view thereof; FIG. 3 is an elevated left view thereof; FIG. 4 is an elevated front view thereof; FIG. 5 is an elevated rear view thereof; FIG. 6 is a top plan view thereof; FIG. 7 is a bottom plan view thereof; FIG. 8 is a cross-sectional view thereof taken along lines 8-8; FIG. 9 is an exploded view thereof; and, FIG. 10 is a top, front right perspective view thereof when attached to an exemplary faucet. The dotted lines illustrate an exemplary environment of use for the faucet mount device with pressure fit, and form no part of the claimed design.

**1 Claim, 6 Drawing Sheets**



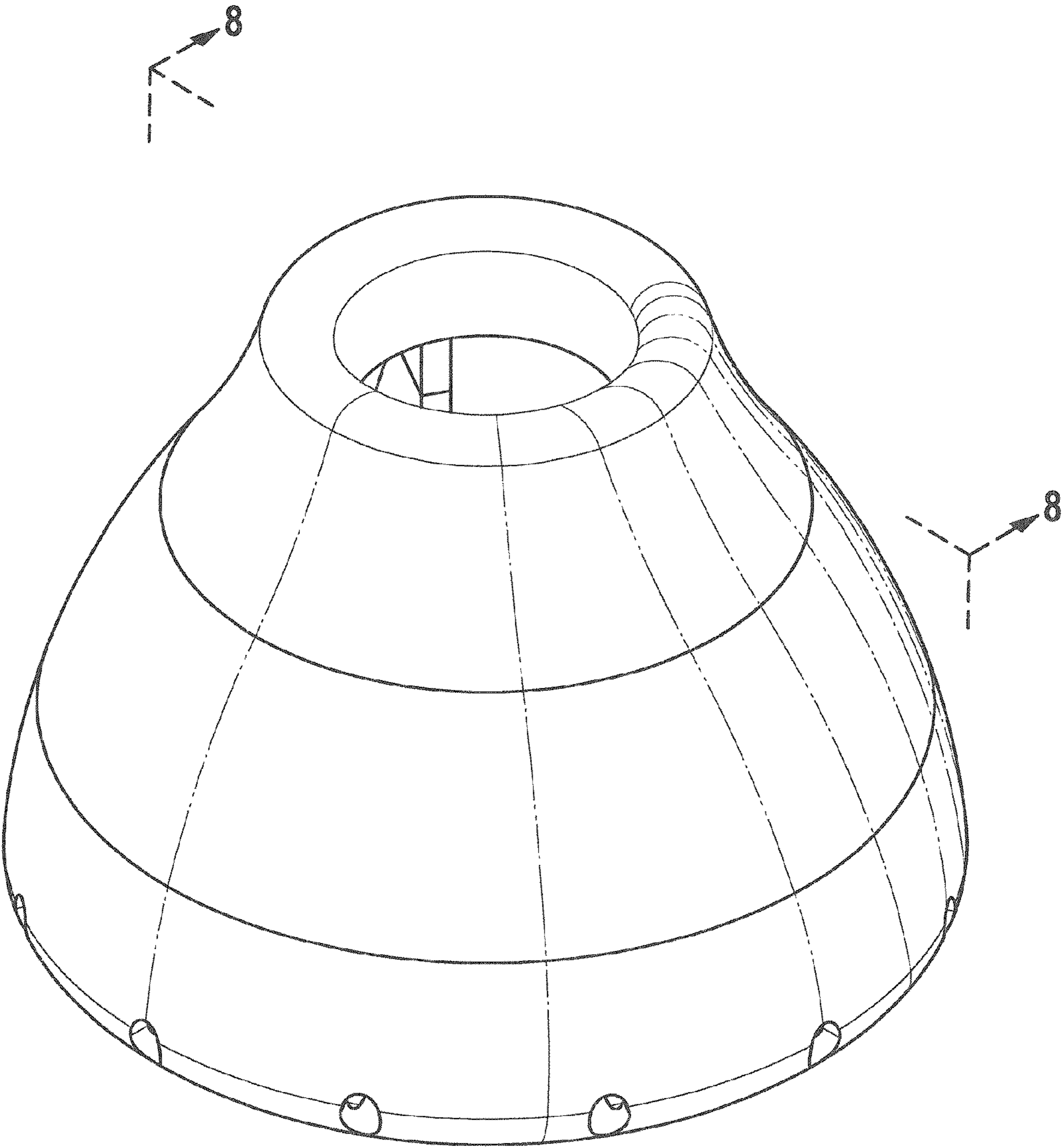
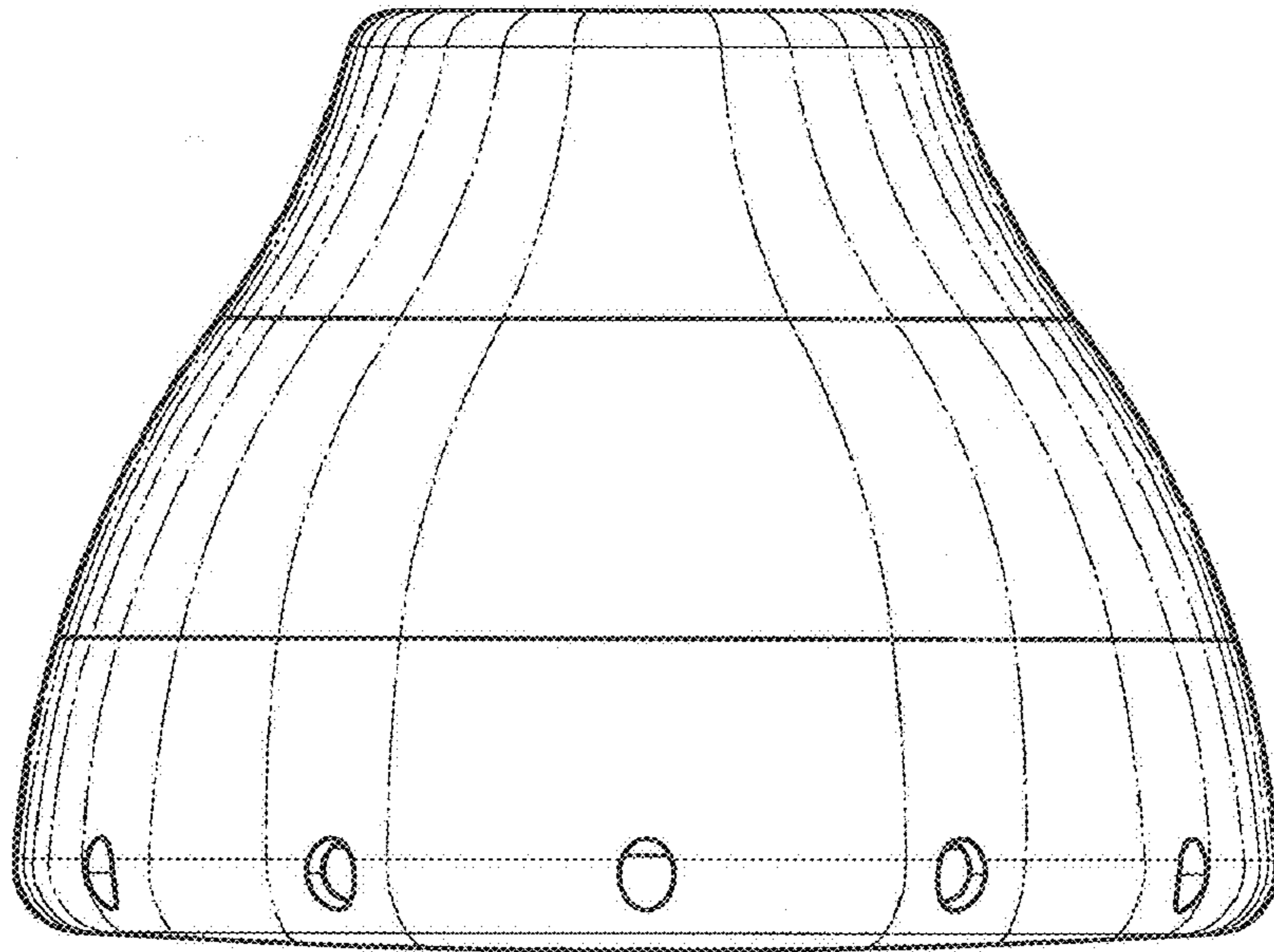
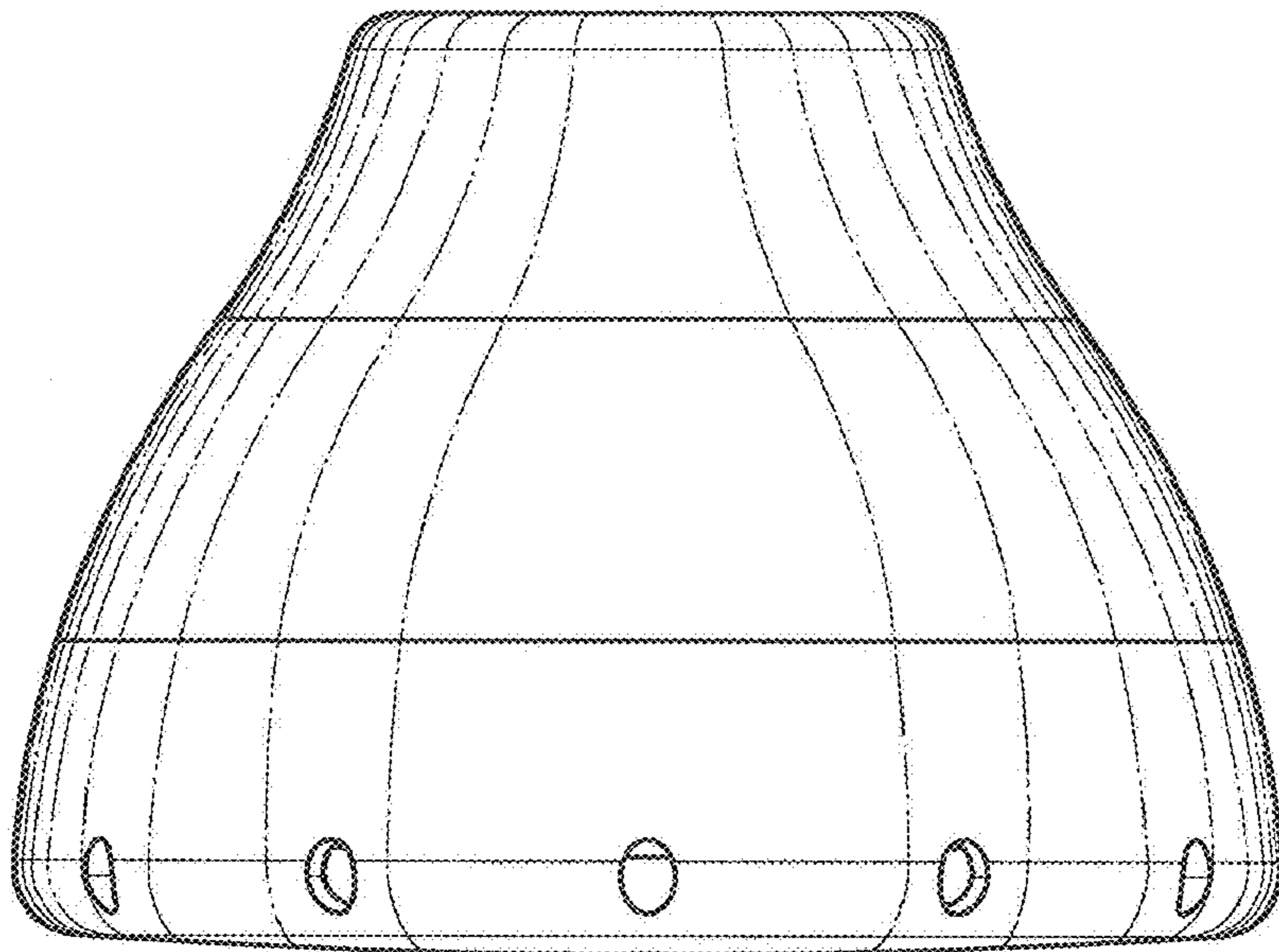


Fig. 1

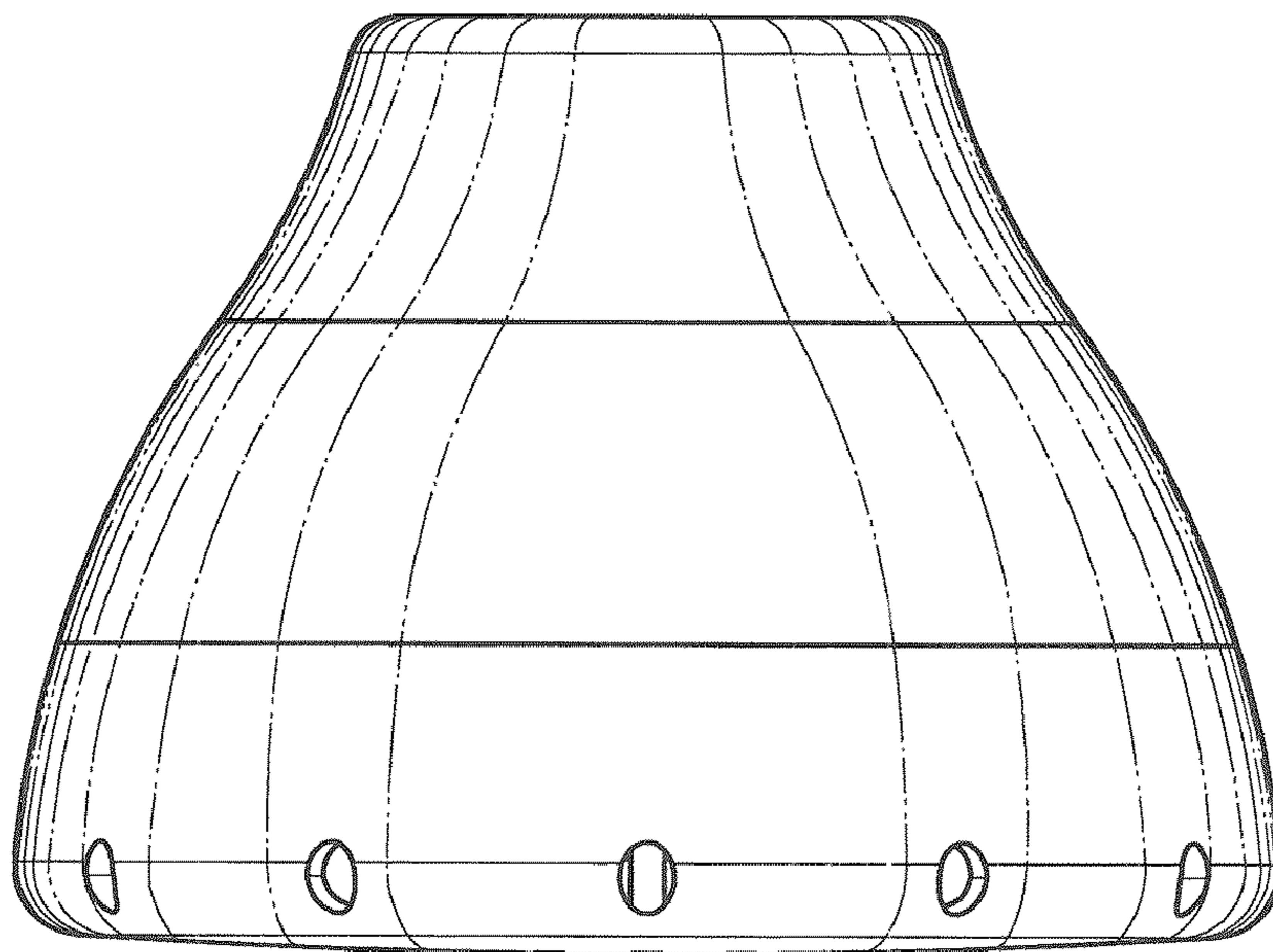


*Fig. 2*

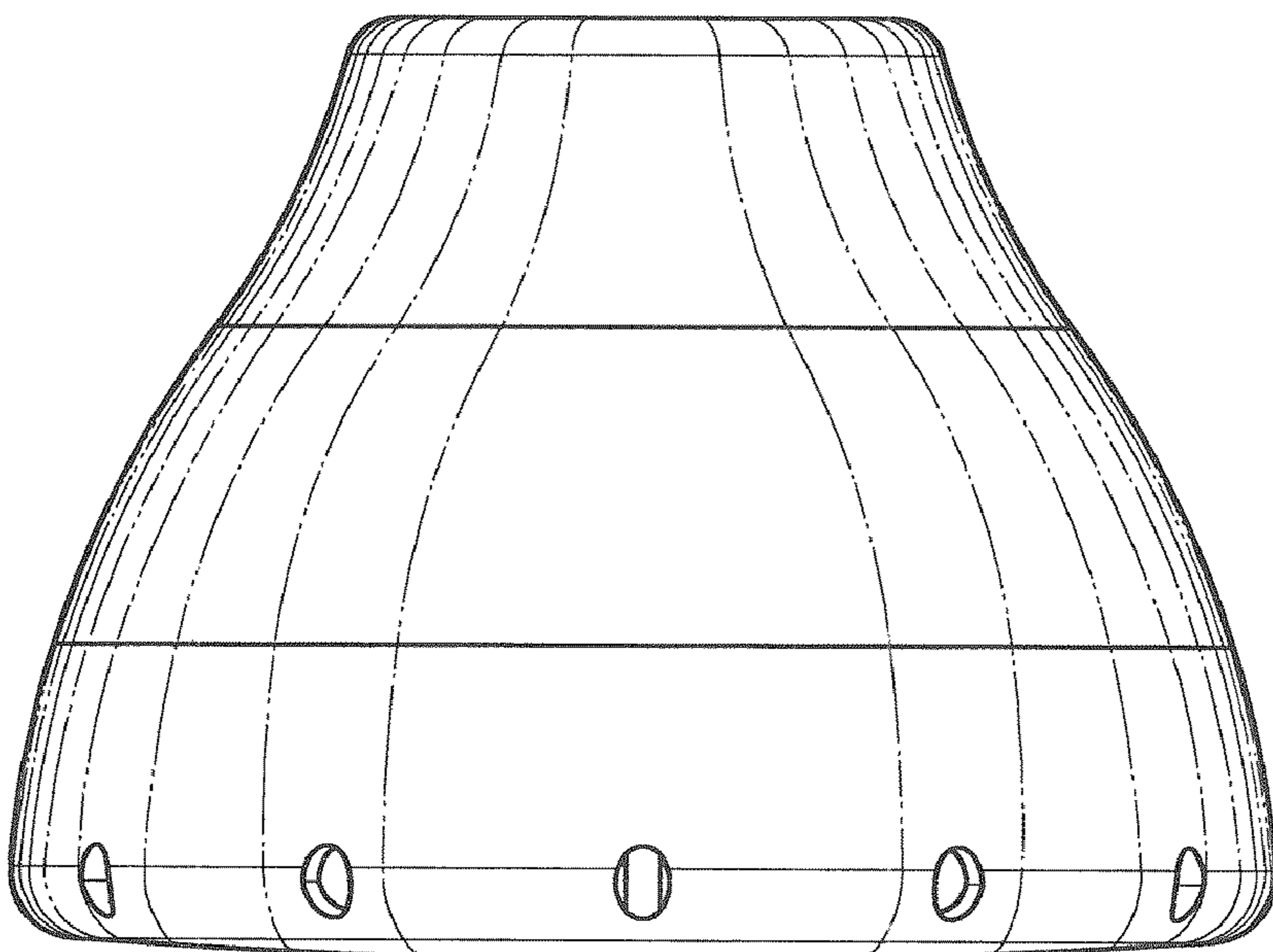


*Fig. 3*





*Fig. 4*



*Fig. 5*

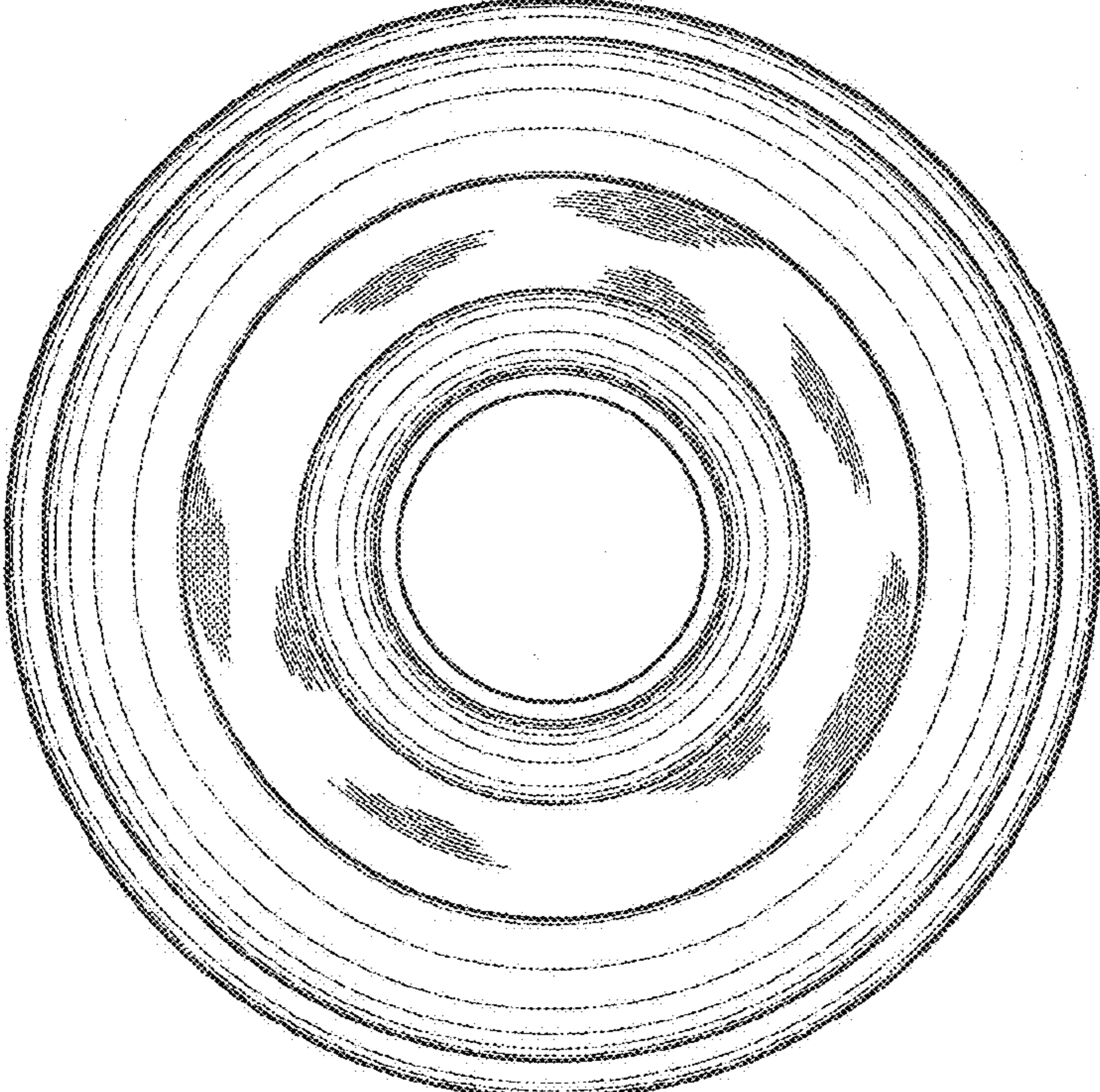


Fig. 6

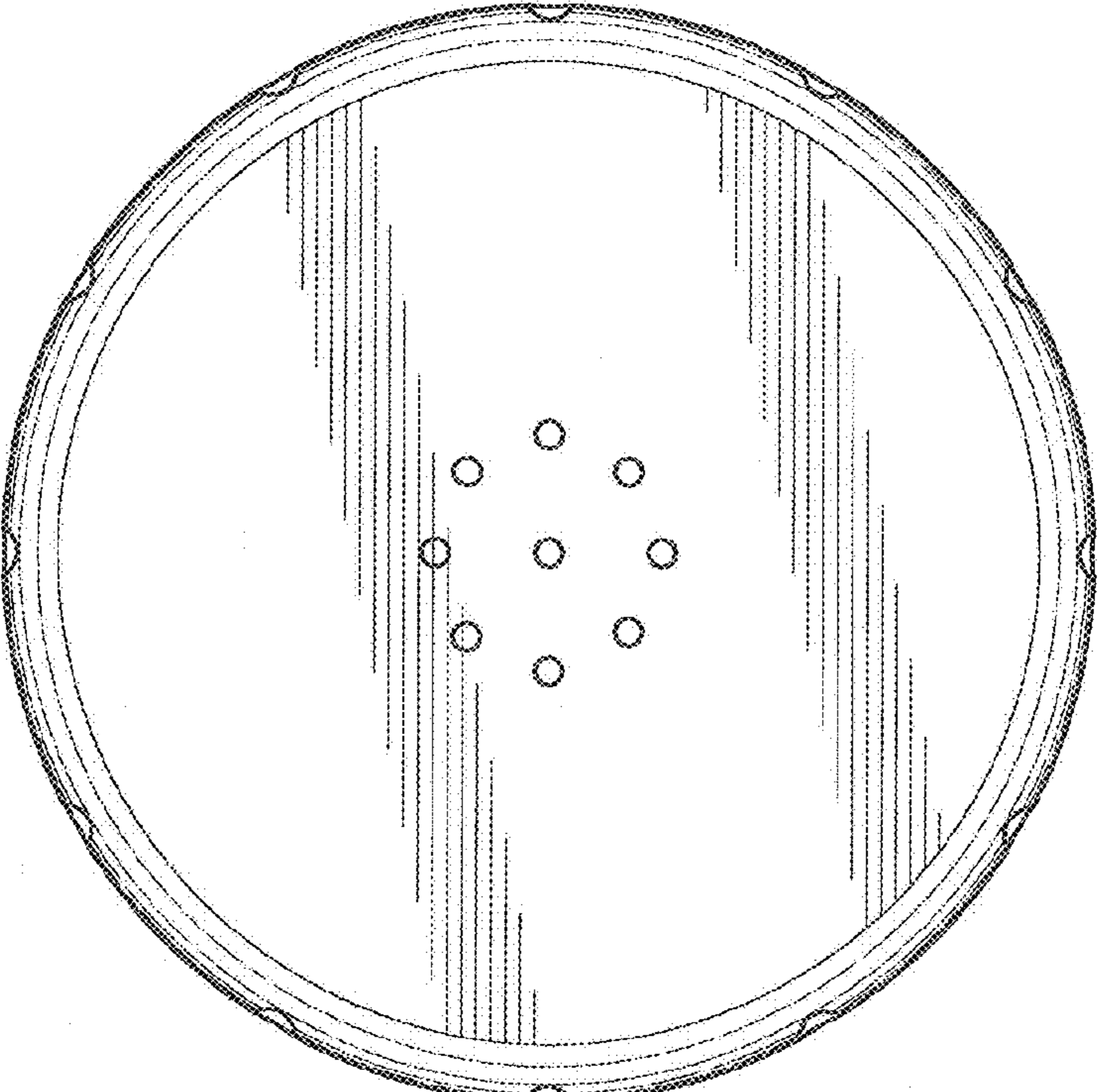


Fig. 7



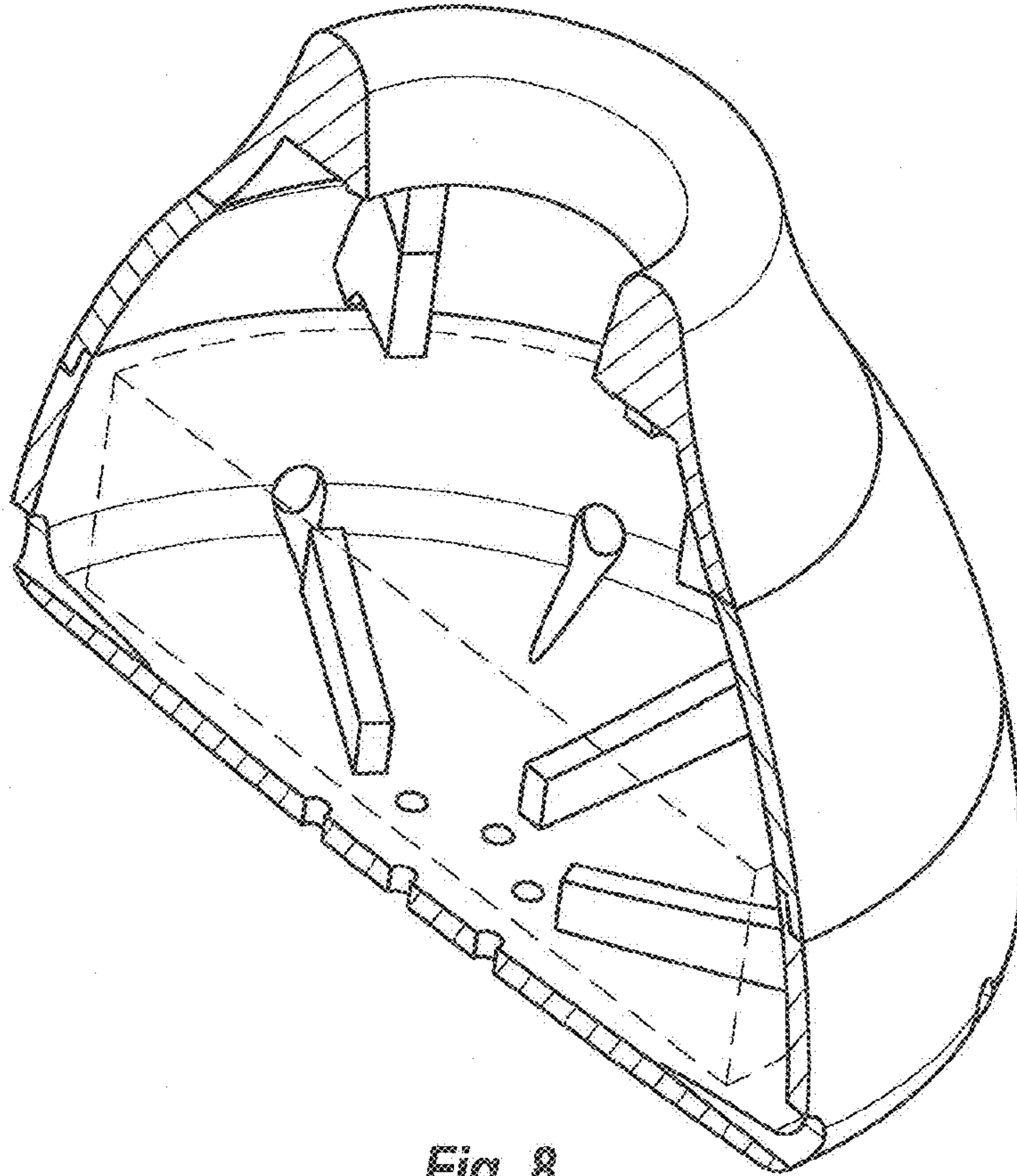


Fig. 8

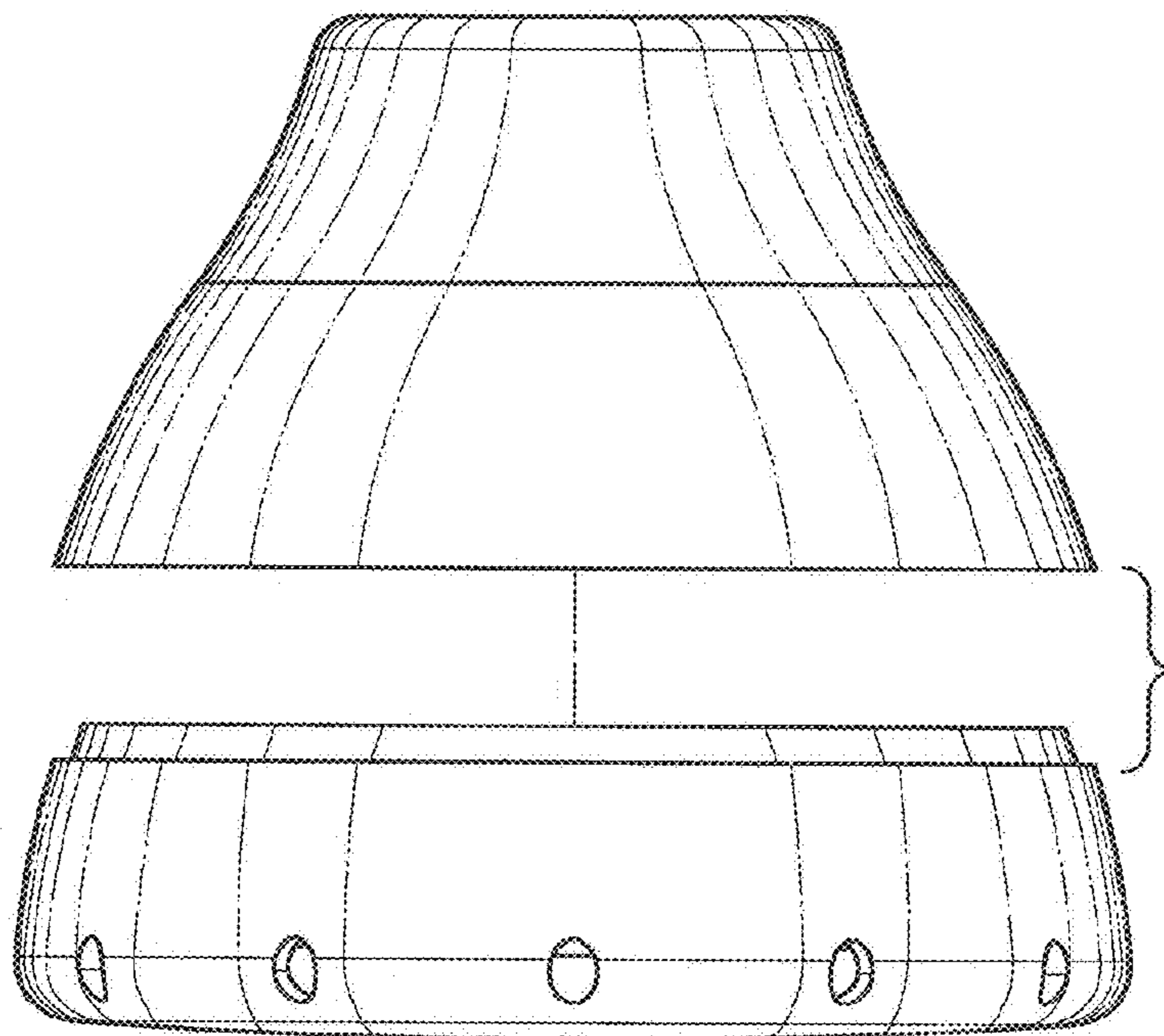


Fig. 9

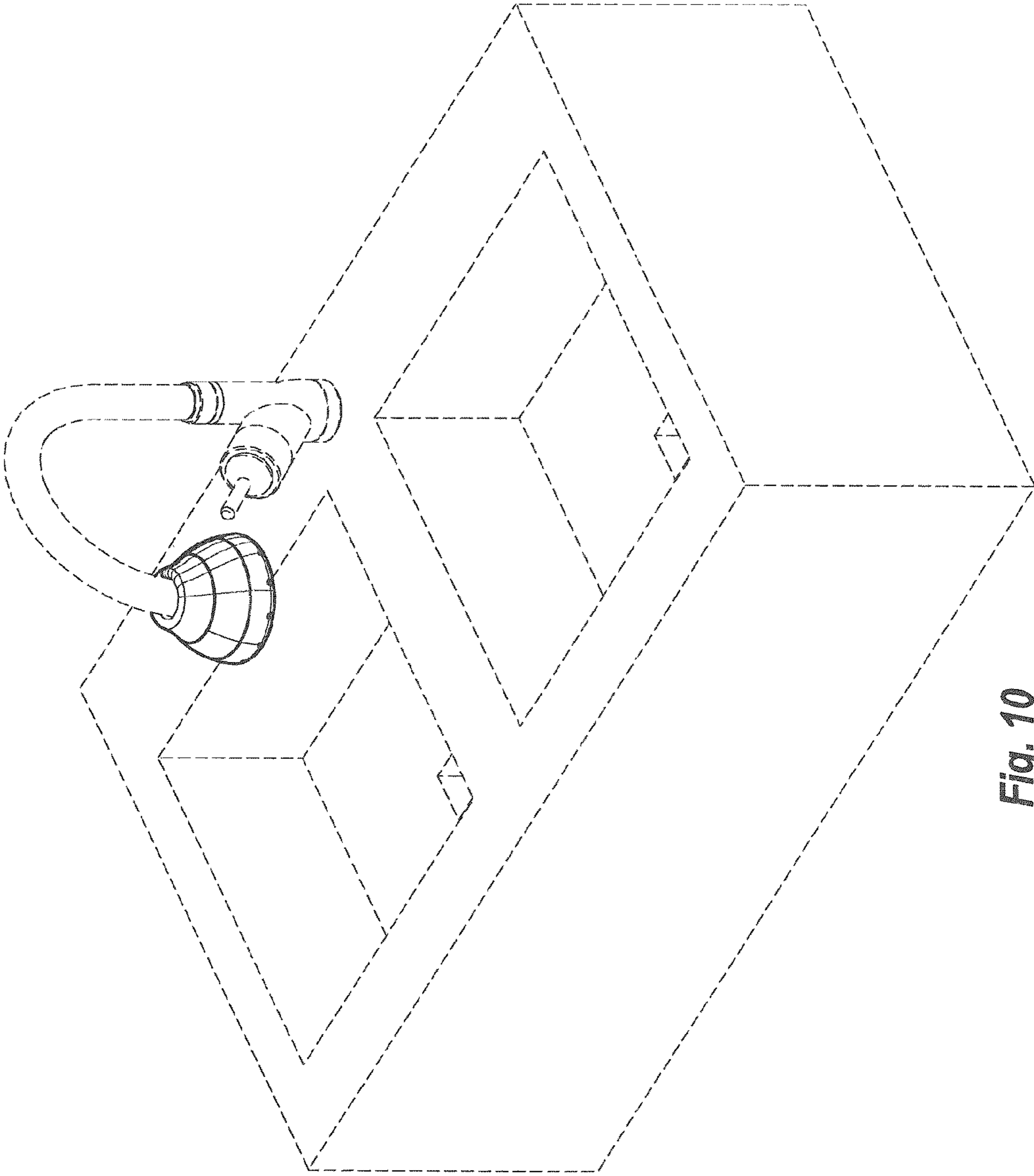


Fig. 10