



US00D654146S

(12) **United States Design Patent**
Bell et al.

(10) **Patent No.:** **US D654,146 S**
(45) **Date of Patent:** **** Feb. 14, 2012**

(54) **FAUCET MOUNT DEVICE WITH FLIP CONFIGURATION**

(75) Inventors: **Russell Bell**, Pleasanton, CA (US);
Patrick O'Loughlin, Pleasanton, CA (US); **William Ouellette**, Pleasanton, CA (US)

(73) Assignee: **The Clorox Company**, Oakland, CA (US)

(**) Term: **14 Years**

(21) Appl. No.: **29/389,120**

(22) Filed: **Apr. 6, 2011**

(51) **LOC (9) Cl.** **23-01**

(52) **U.S. Cl.** **D23/209**

(58) **Field of Classification Search** D23/207,
D23/209, 233, 235; 210/449, 433.1, 456,
210/460; 239/428.5

See application file for complete search history.

(56) **References Cited**

U.S. PATENT DOCUMENTS

1,078,370	A *	11/1913	O'Connor	210/449
2,334,802	A *	11/1943	Zuckermann	210/335
D142,577	S *	10/1945	Morrow	D23/207
D165,282	S *	11/1951	Graff	D23/207
D197,940	S *	4/1964	Fortman	D23/207
3,780,869	A *	12/1973	Krongos	210/317
3,822,018	A *	7/1974	Krongos	210/323.2
4,288,325	A *	9/1981	Lieberman	210/449
4,316,623	A	2/1982	Kelly		
4,604,202	A *	8/1986	Movshovitz	210/409
4,824,565	A *	4/1989	Middleton	210/266
5,833,849	A	11/1998	Primdahl		
D410,728	S	6/1999	Kurth et al.		
6,258,266	B1	7/2001	Riback et al.		
6,457,614	B1	10/2002	Amidzich		
6,517,920	B1	2/2003	Schroder et al.		
6,565,749	B1	5/2003	Hou et al.		
6,641,727	B1	11/2003	Aldred et al.		
6,797,956	B2	9/2004	Benner		
D541,901	S *	5/2007	Baarman et	D23/207
7,217,362	B2 *	5/2007	Hsiao	210/232
D575,376	S *	8/2008	Somerby	D23/239

D586,880	S	2/2009	Gaston et al.		
D592,728	S *	5/2009	Wang	D23/207
D596,705	S	7/2009	Gaston et al.		
7,717,270	B2 *	5/2010	Boyd et al.	210/460
D622,348	S	8/2010	Gaston et al.		
D637,693	S *	5/2011	Riedel	D23/209
D644,297	S *	8/2011	Chen	D23/209
2008/0086811	A1	4/2008	Yu		
2009/0163839	A1	6/2009	Alexander		
2010/0089472	A1	4/2010	Meza et al.		
2011/0073137	A1	3/2011	Dvorak		

FOREIGN PATENT DOCUMENTS

JP	2001 288793	11/2011
WO	WO 99 10069	3/1999
WO	WO 01 07090	2/2001
WO	WO 03 054310	7/2003
WO	WO 03 051762	8/2003

* cited by examiner

Primary Examiner — Robin V Webster

(74) *Attorney, Agent, or Firm* — Alok Goel

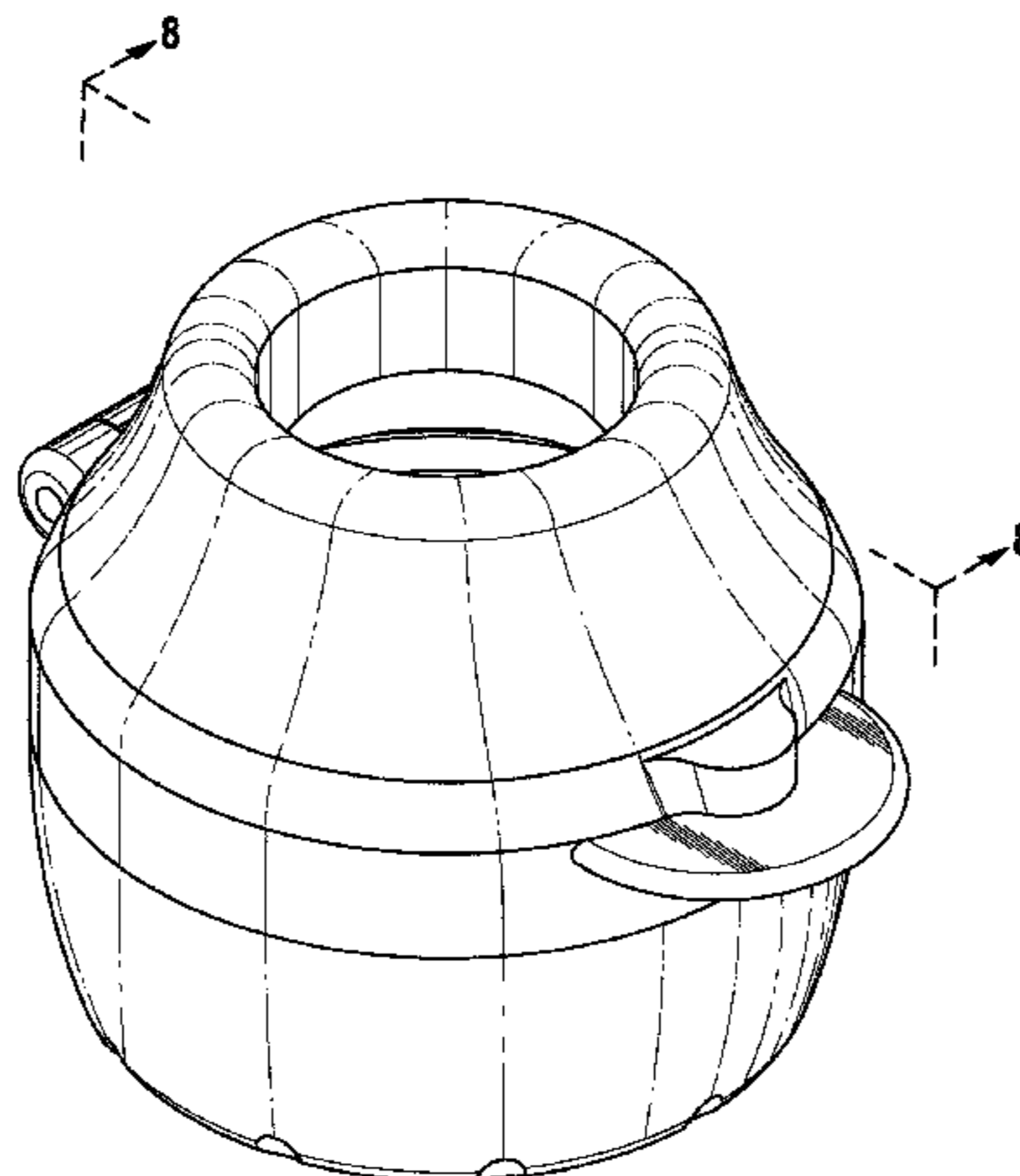
(57) **CLAIM**

The ornamental design for a faucet mount device with flip configuration, as shown and described.

DESCRIPTION

FIG. 1 is a top, front right perspective view of a faucet mount device with flip configuration;
 FIG. 2 is an elevated right view thereof;
 FIG. 3 is an elevated left view thereof;
 FIG. 4 is an elevated front view thereof;
 FIG. 5 is an elevated rear view thereof;
 FIG. 6 is a top plan view thereof;
 FIG. 7 is a bottom plan view thereof;
 FIG. 8 is a cross-sectional view thereof taken along lines 8-8;
 FIG. 9 is a top, front right perspective view thereof when attached to an exemplary faucet, and when positioned in an open, or inactive configuration; and,
 FIG. 10 is a top, front right perspective view thereof when attached to an exemplary faucet, and when positioned in a closed, or active configuration.
 The dotted lines illustrate an exemplary environment of use for the faucet mount device with flip configuration, and form no part of the claimed design.

1 Claim, 7 Drawing Sheets



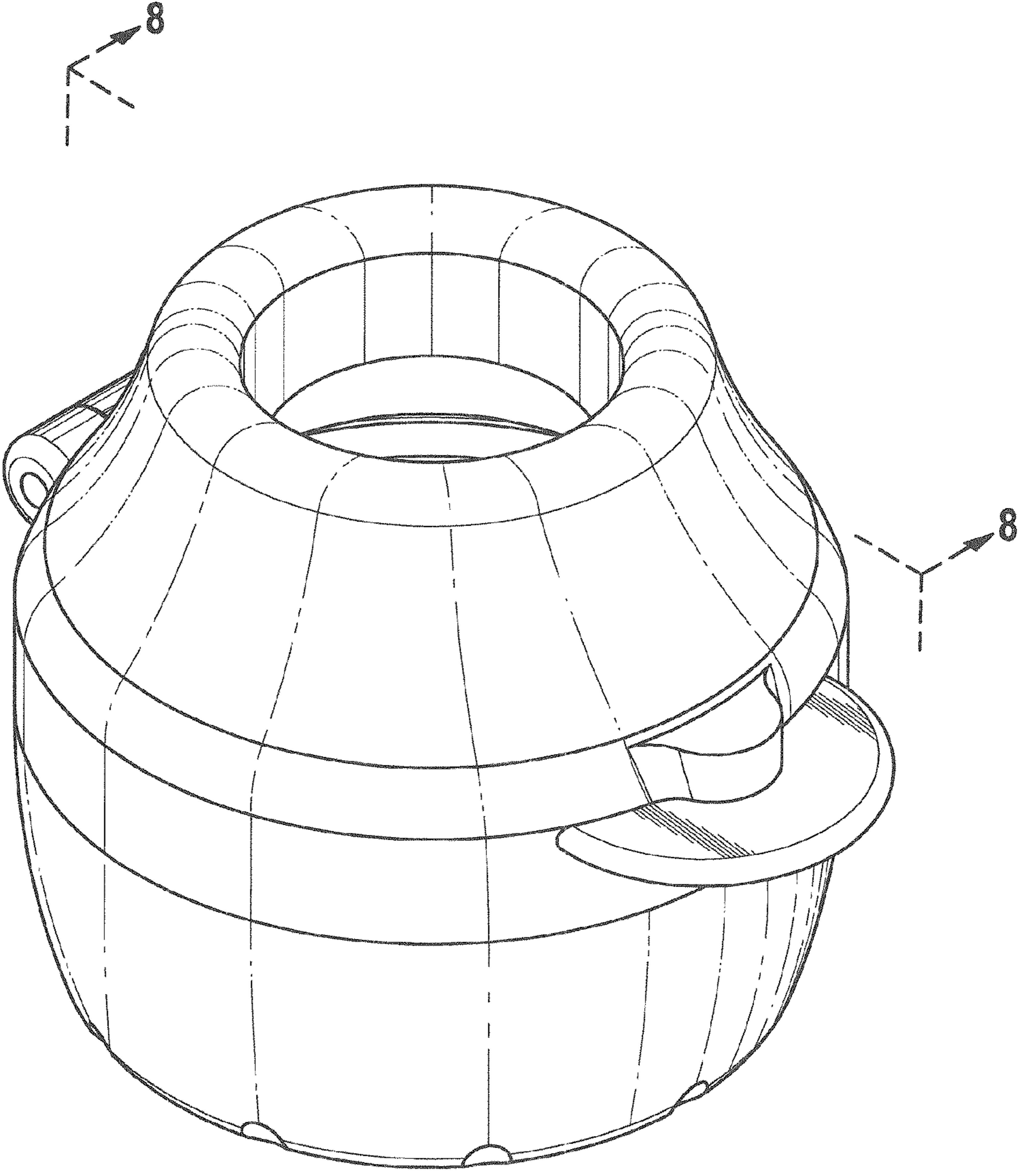


Fig. 1

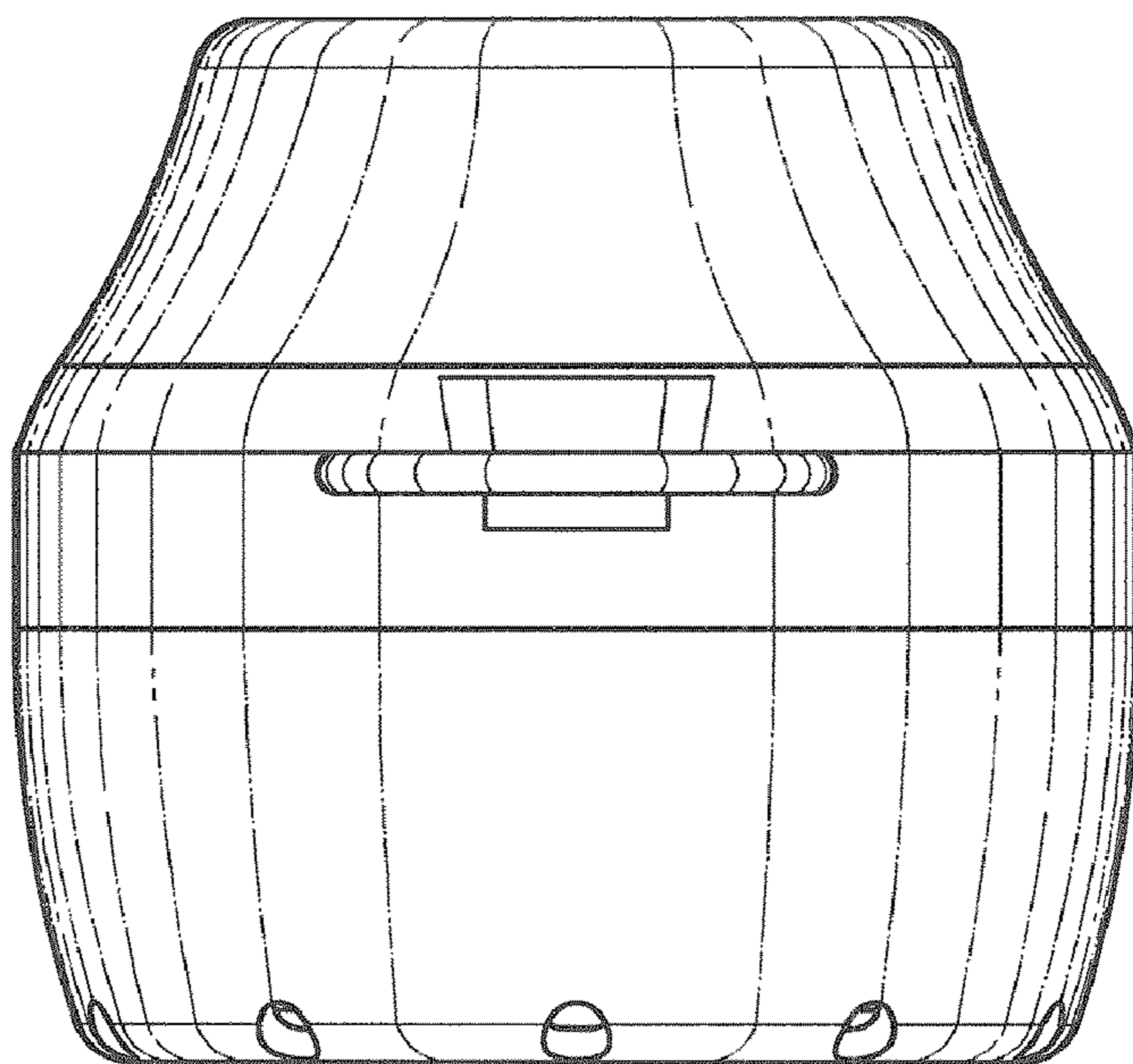


Fig. 2

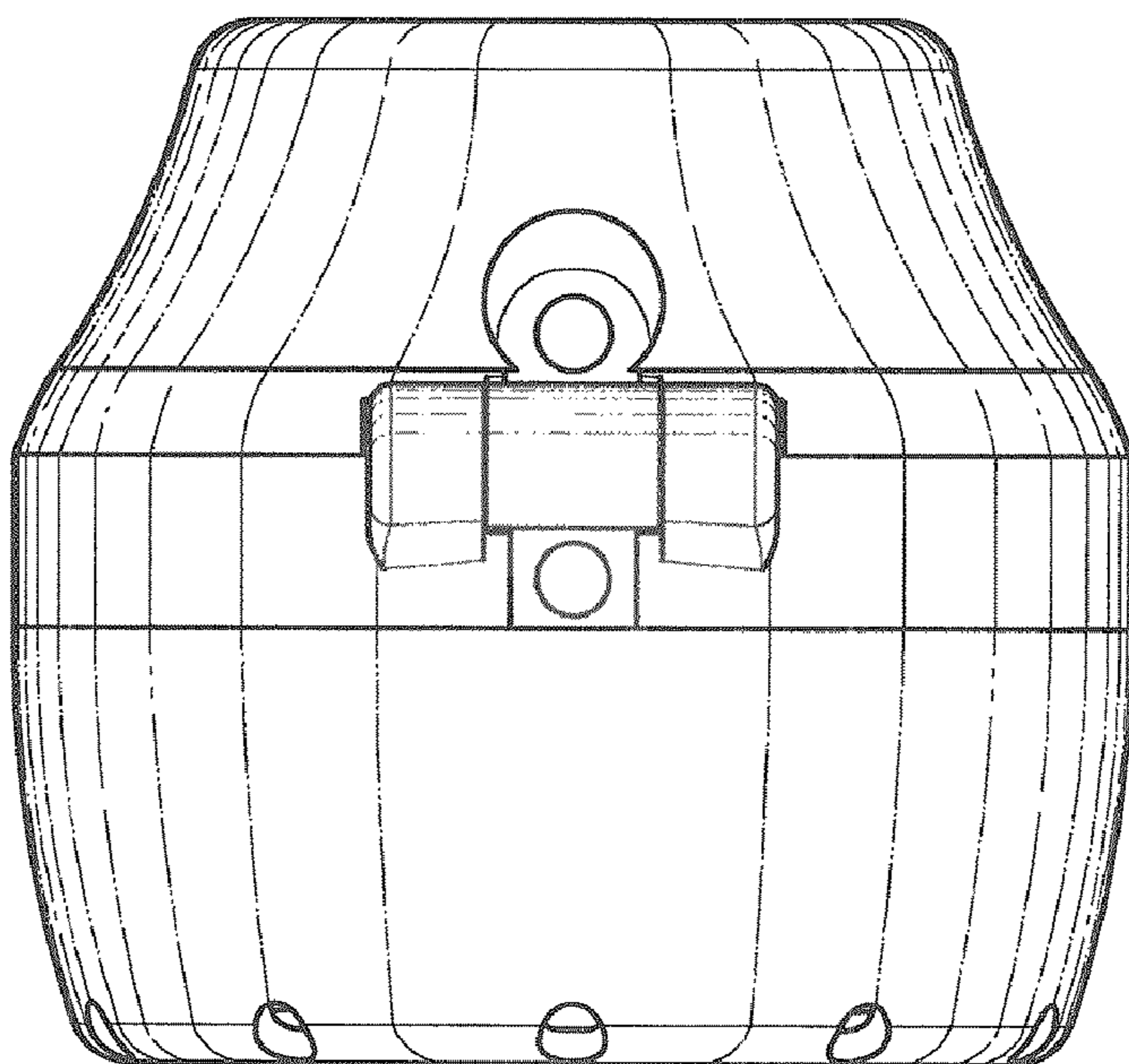


Fig. 3

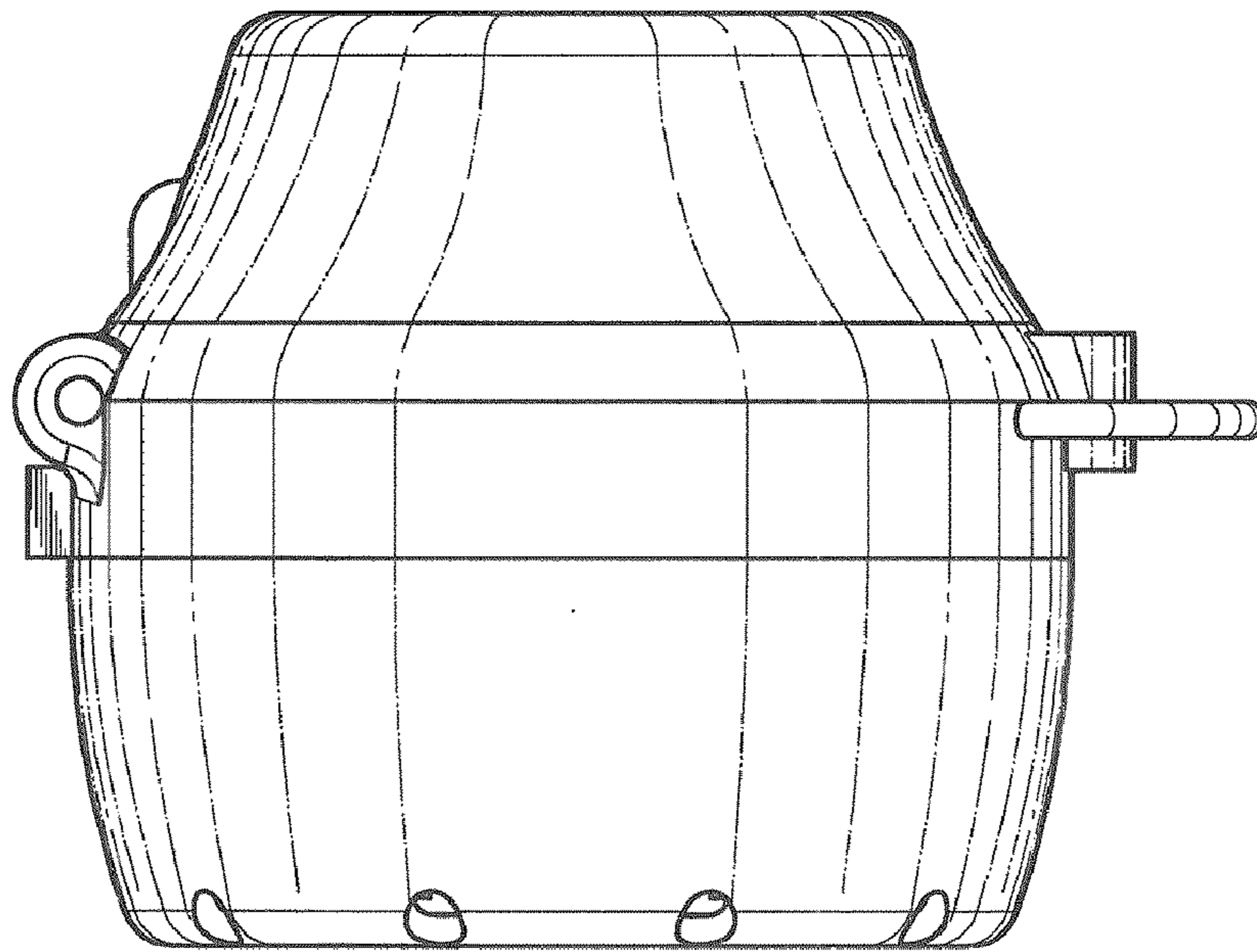


Fig. 4

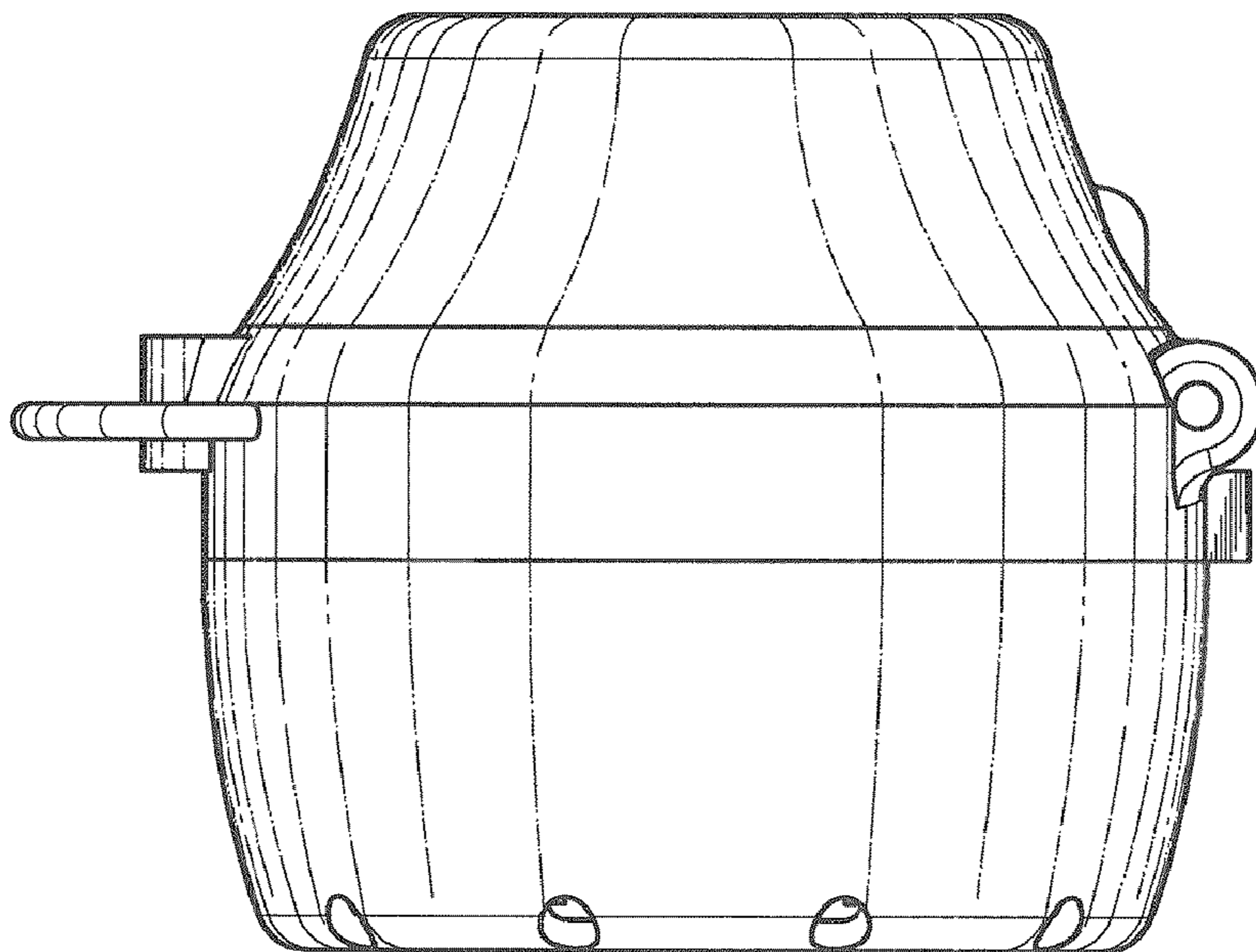


Fig. 5

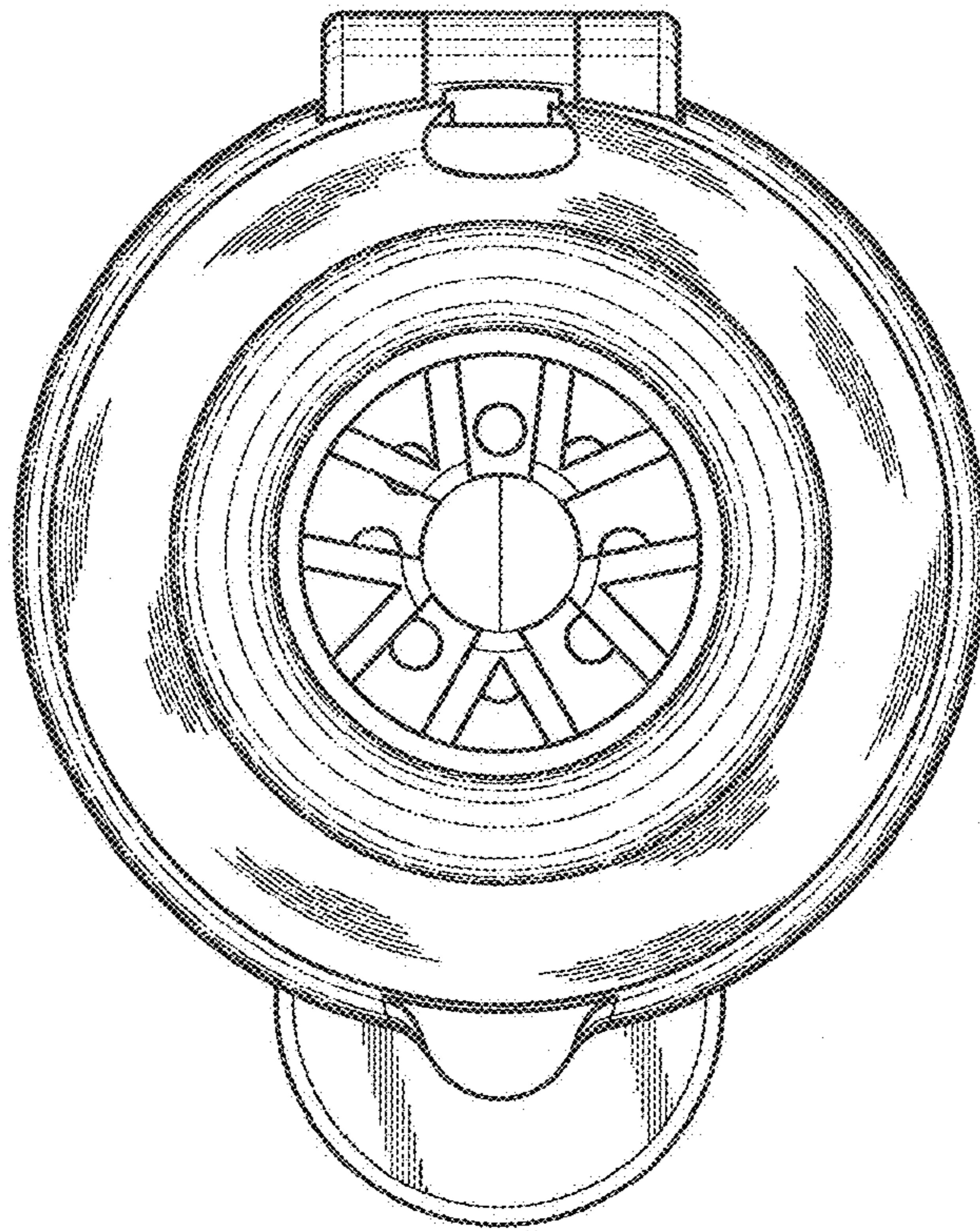


Fig. 6

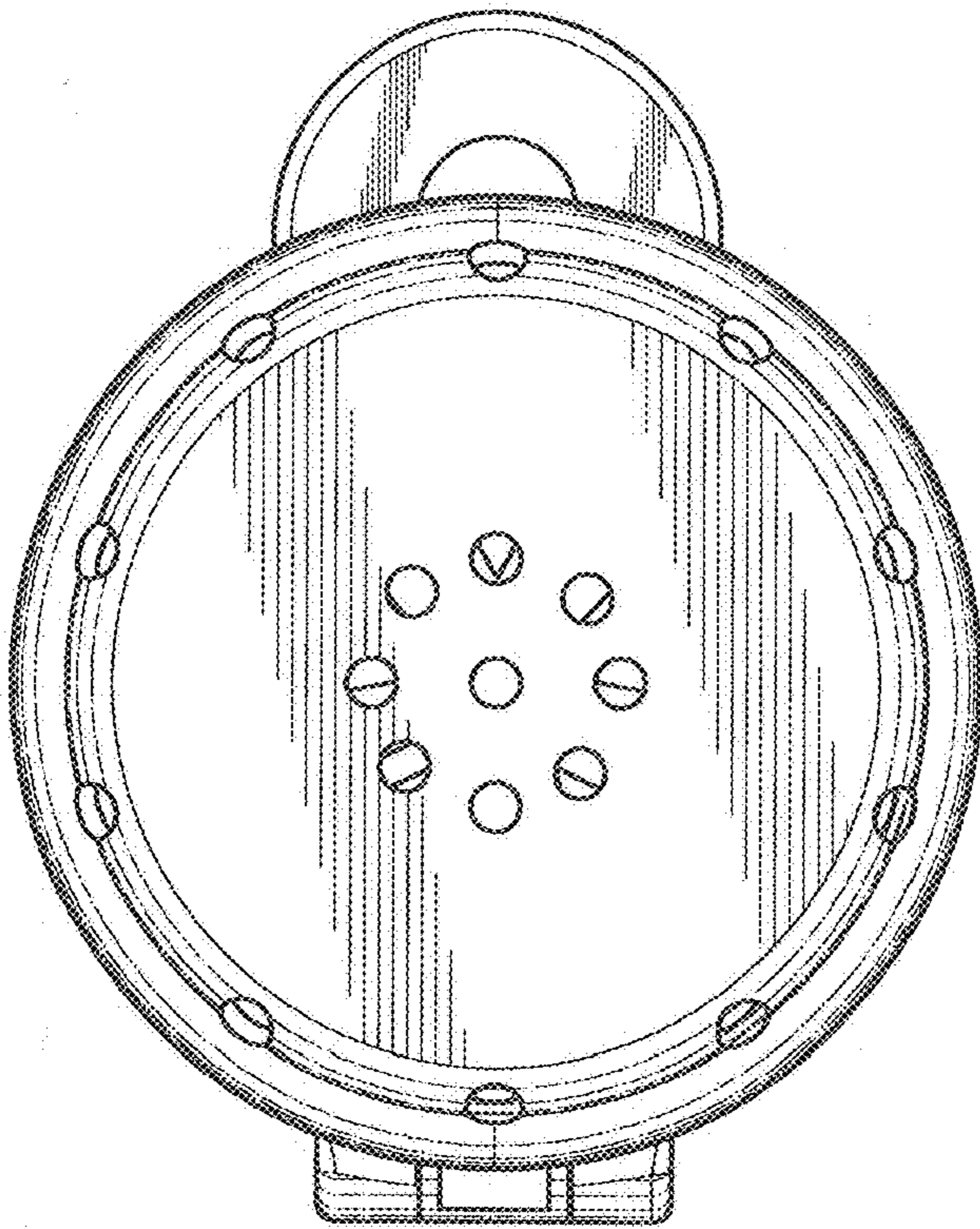


Fig. 7

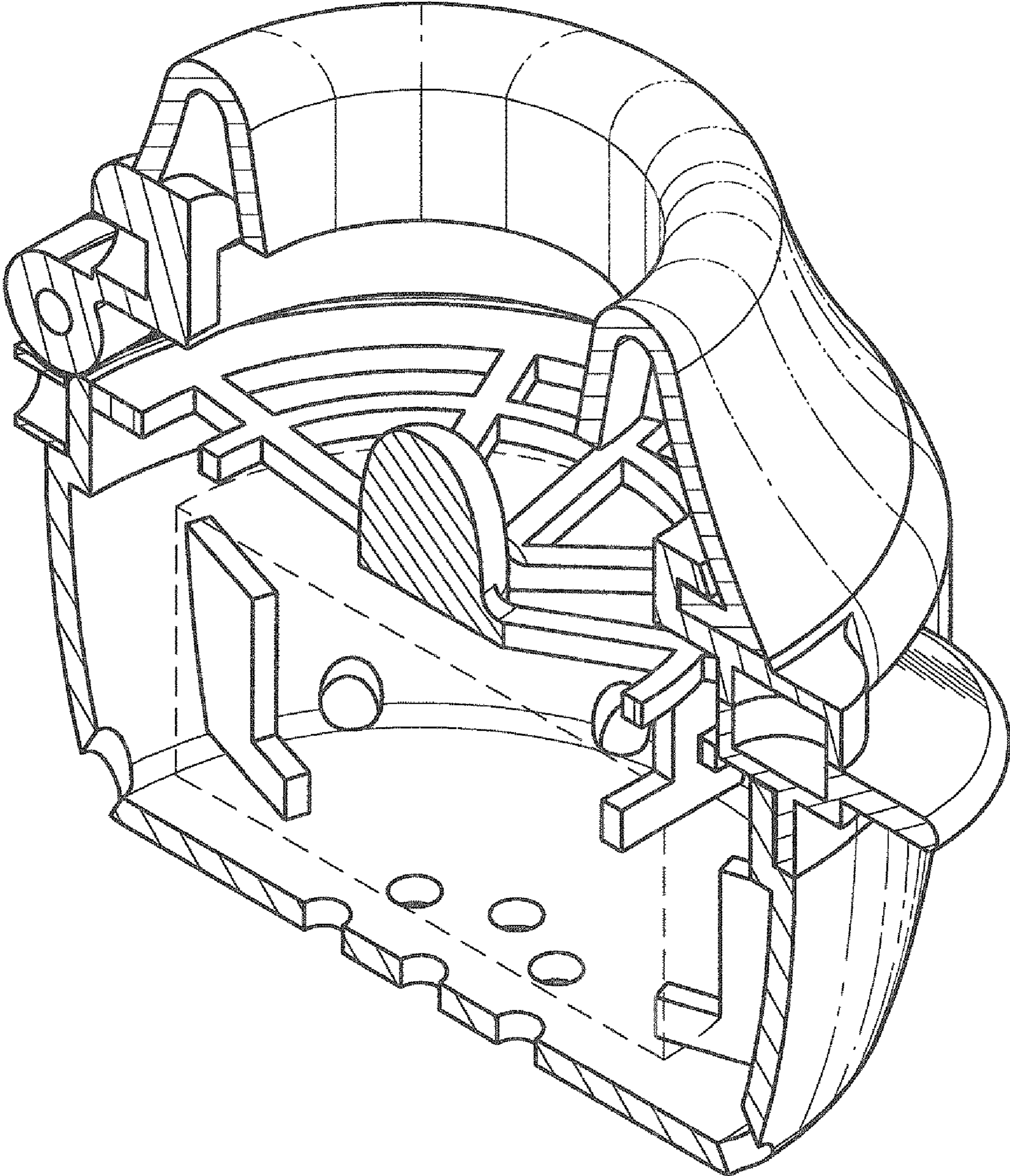


Fig. 8

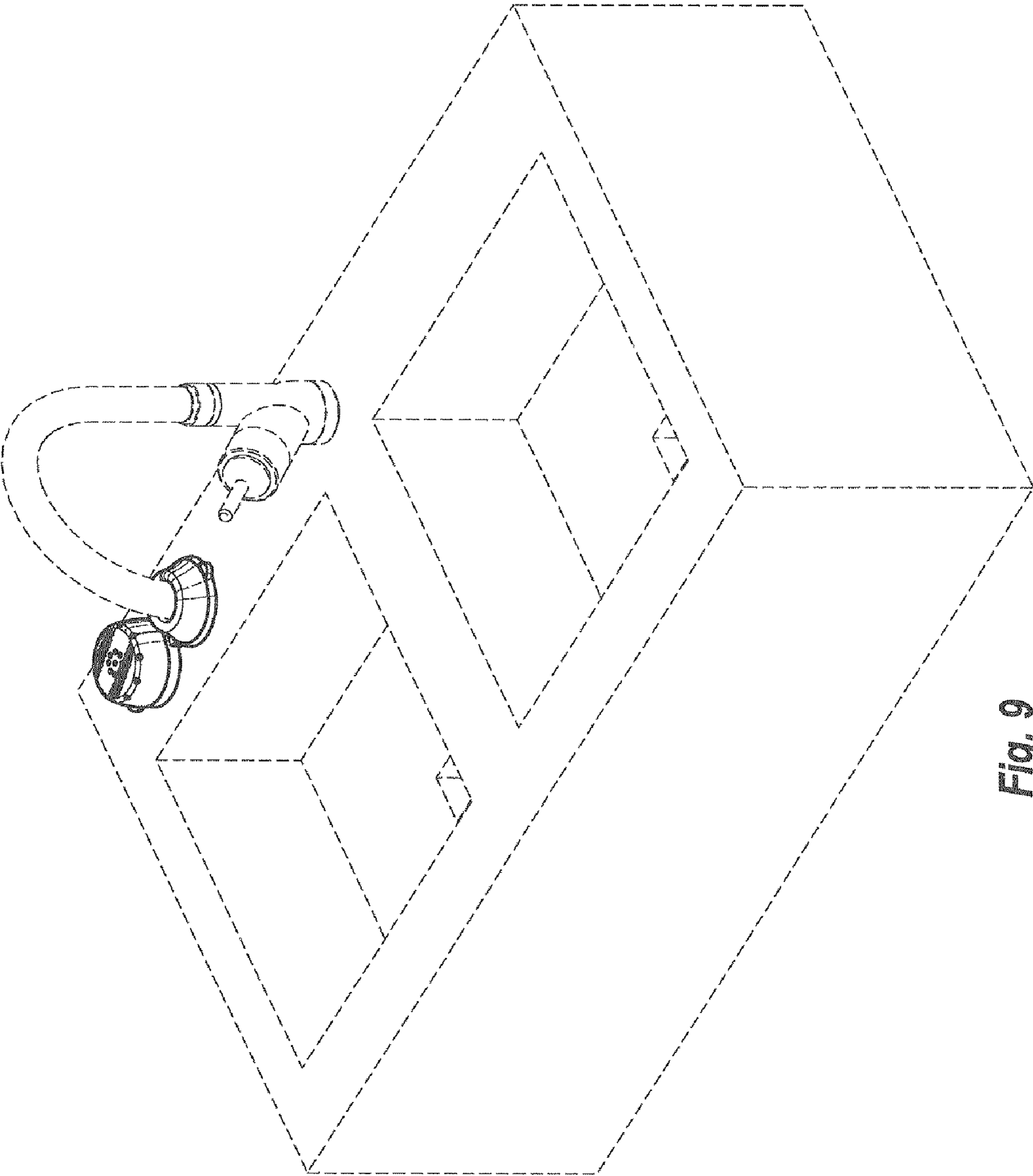


Fig. 9

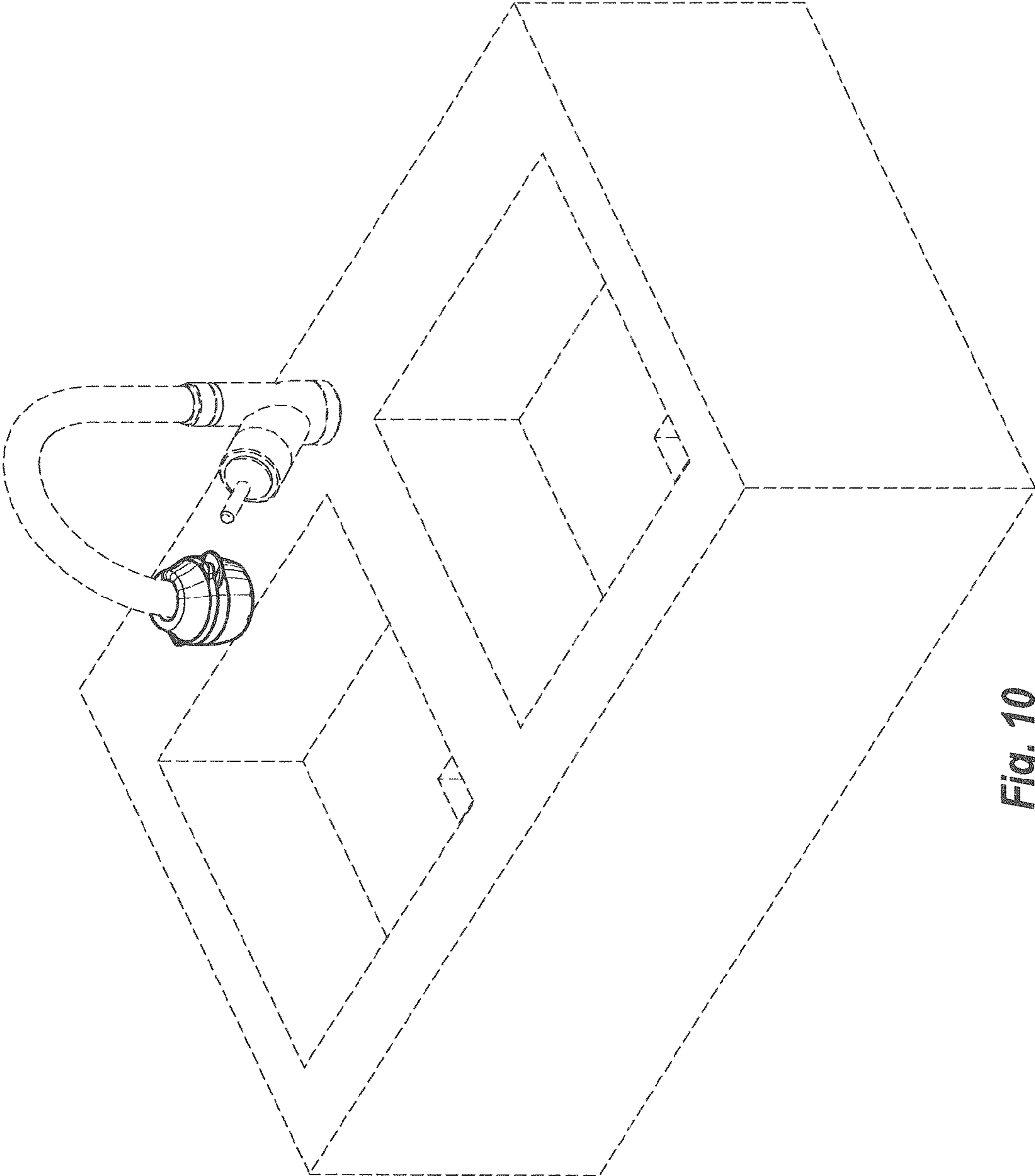


Fig. 10