



US00D654138S

(12) **United States Design Patent**  
**Frank**

(10) **Patent No.:** **US D654,138 S**

(45) **Date of Patent:** **\*\* Feb. 14, 2012**

(54) **PETAL FOR A SHOT CUP**

(75) Inventor: **Ben N. Frank**, Worden, IL (US)

(73) Assignee: **Olin Corporation**, East Alton, IL (US)

(\*\*) Term: **14 Years**

(21) Appl. No.: **29/375,158**

(22) Filed: **Sep. 17, 2010**

(51) **LOC (9) Cl.** ..... **22-03**

(52) **U.S. Cl.** ..... **D22/115**

(58) **Field of Classification Search** ..... D22/115-116;  
102/501, 503, 507, 514, 506-510, 520, 385,  
102/430, 439, 445, 502; 463/2; 89/19.5,  
89/54; 86/10, 51-53

See application file for complete search history.

(56) **References Cited**

U.S. PATENT DOCUMENTS

|           |     |        |         |       |         |
|-----------|-----|--------|---------|-------|---------|
| 3,234,877 | A * | 2/1966 | Herter  | ..... | 102/451 |
| 3,368,489 | A * | 2/1968 | Herter  | ..... | 102/451 |
| 4,103,621 | A * | 8/1978 | Fackler | ..... | 102/453 |
| 4,679,505 | A * | 7/1987 | Reed    | ..... | 102/449 |

|              |      |         |                  |       |         |
|--------------|------|---------|------------------|-------|---------|
| 2004/0211292 | A1 * | 10/2004 | Buenemann et al. | ..... | 75/338  |
| 2004/0237828 | A1 * | 12/2004 | Epstein          | ..... | 102/465 |
| 2005/0056184 | A1 * | 3/2005  | Dunnam et al.    | ..... | 102/458 |
| 2006/0260500 | A1 * | 11/2006 | Engel et al.     | ..... | 102/448 |
| 2009/0095187 | A1 * | 4/2009  | Engel et al.     | ..... | 102/448 |

\* cited by examiner

*Primary Examiner* — Michael Pratt

(74) *Attorney, Agent, or Firm* — Harness, Dickey & Pierce, P.L.C.

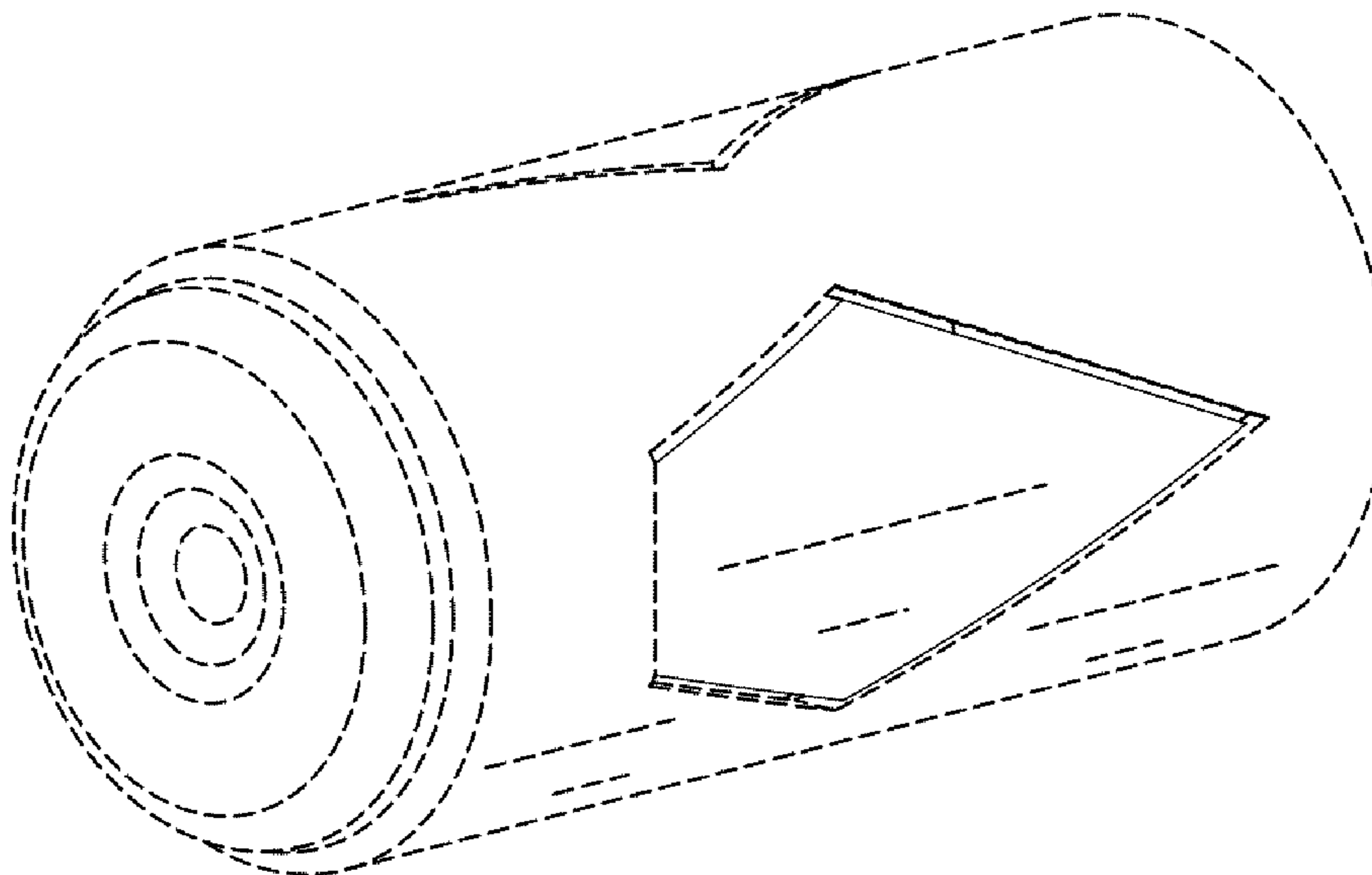
(57) **CLAIM**

The ornamental design for a petal for a shot cup, as shown and described.

**DESCRIPTION**

FIG. 1 is a perspective view of the petal for a shot cup from the proximal end of the shot cup;  
FIG. 2 is a perspective view of the petal for a shot cup from the distal end of the shot cup; and,  
FIG. 3 is a side elevation of the petal for a shot cup.  
The broken, dashed lines in the figures are included for the purpose of illustrating environment of the claimed design and do not form any part of the claimed design.

**1 Claim, 1 Drawing Sheet**



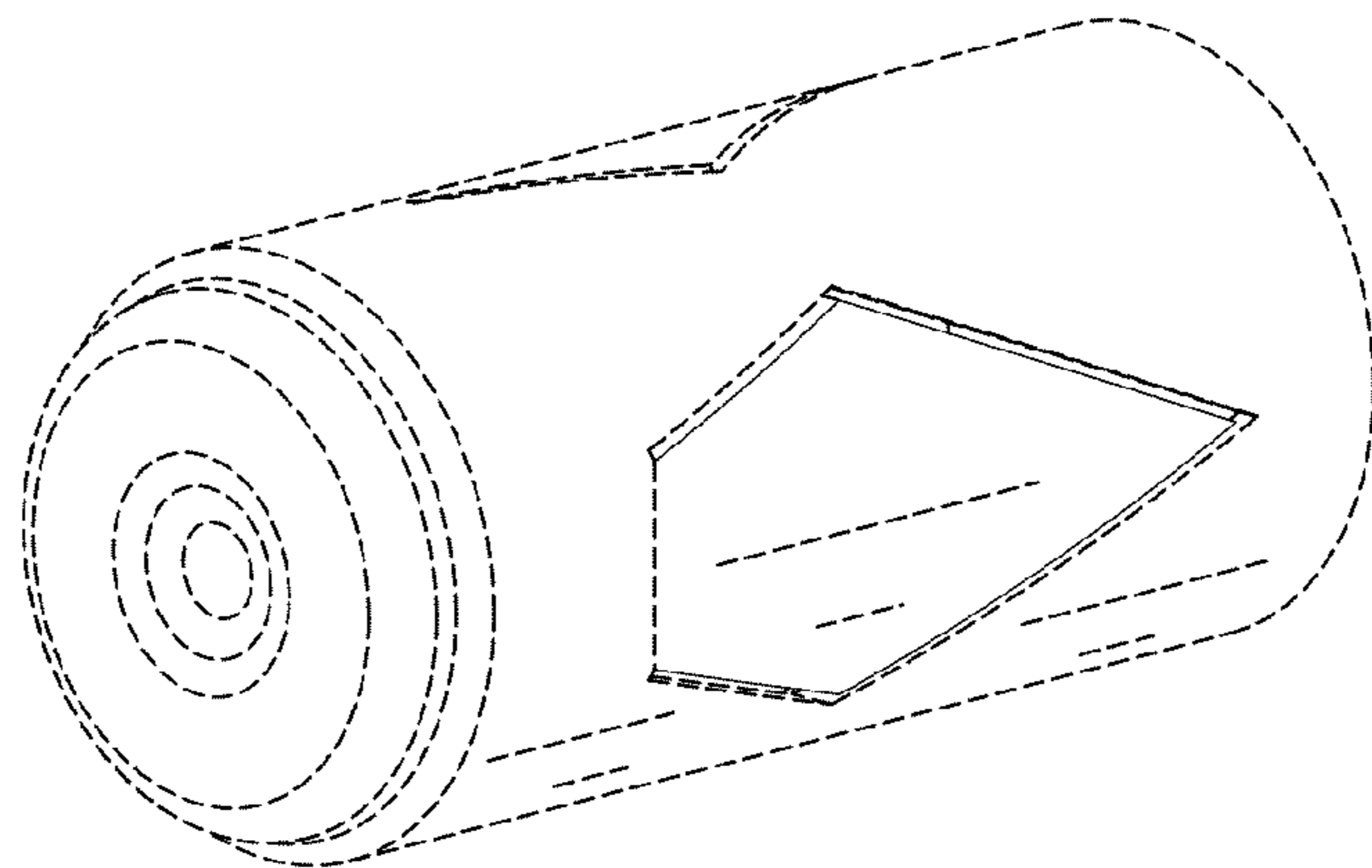


Fig. 1

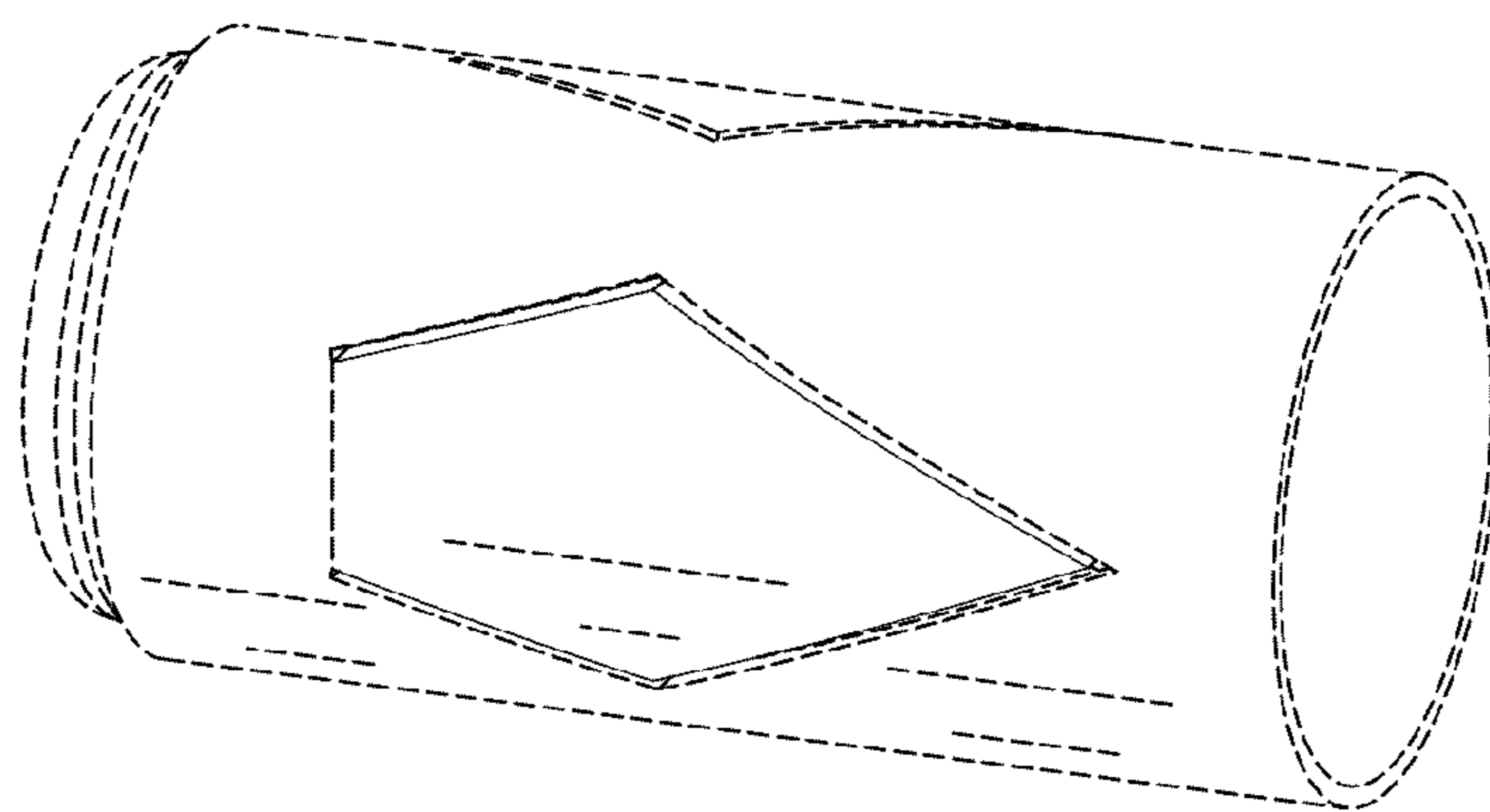


Fig. 2

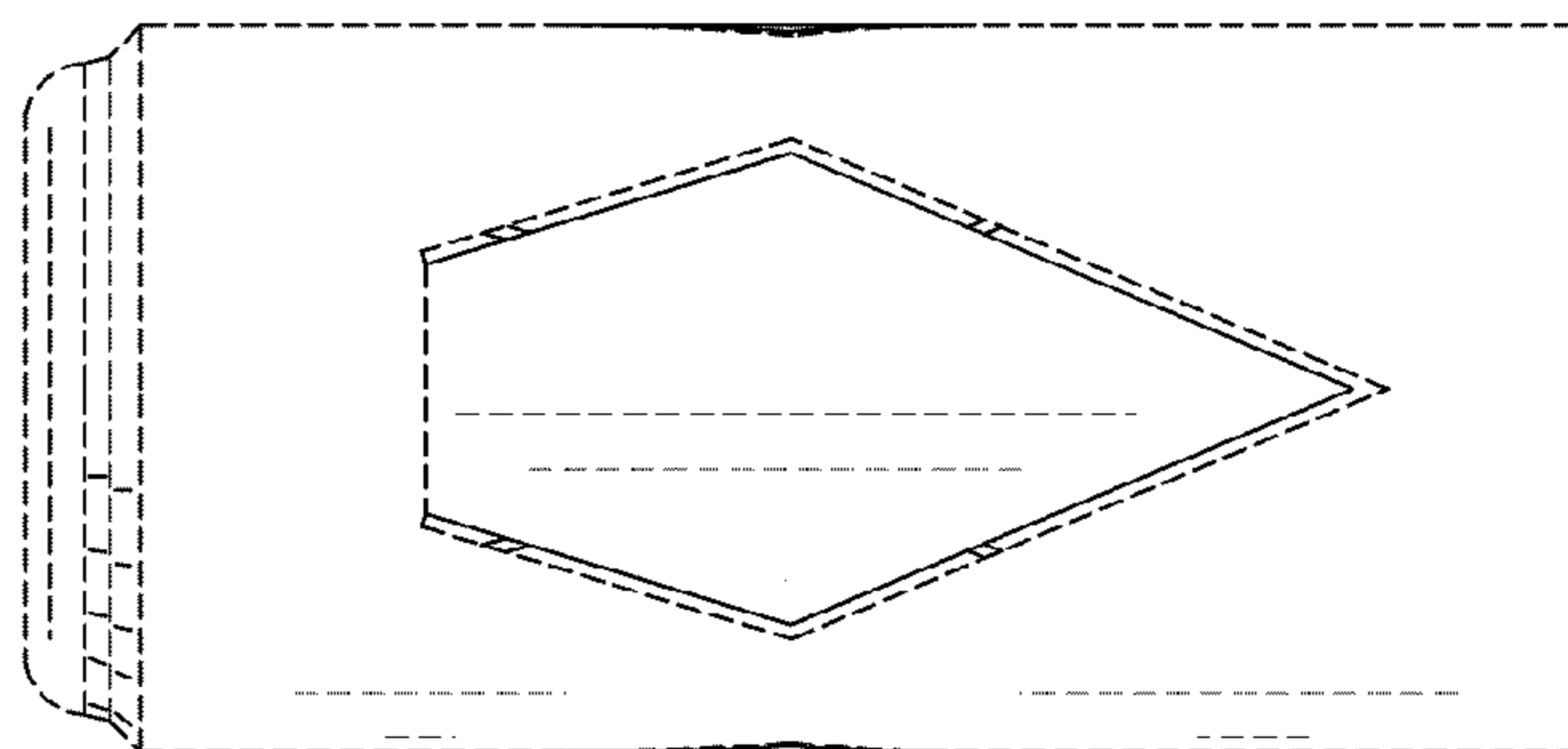


Fig. 3