



US00D654137S

(12) **United States Design Patent**
Frank

(10) **Patent No.:** **US D654,137 S**

(45) **Date of Patent:** **** Feb. 14, 2012**

(54) **SHOT CUP**

(75) Inventor: **Ben N. Frank**, Worden, IL (US)

(73) Assignee: **Olin Corporation**, East Alton, IL (US)

(**) Term: **14 Years**

(21) Appl. No.: **29/375,155**

(22) Filed: **Sep. 17, 2010**

(51) **LOC (9) Cl.** **22-03**

(52) **U.S. Cl.** **D22/115**

(58) **Field of Classification Search** D22/115-116;
102/501, 503, 514, 506-510, 520, 385, 430,
102/439, 445, 502; 463/2; 89/19.5, 54; 86/10,
86/51-53

See application file for complete search history.

(56) **References Cited**

U.S. PATENT DOCUMENTS

3,234,877	A *	2/1966	Herter	102/451
3,368,489	A *	2/1968	Herter	102/451
4,103,621	A *	8/1978	Fackler	102/453
4,679,505	A *	7/1987	Reed	102/449
2004/0211292	A1 *	10/2004	Buenemann et al.	75/338
2004/0237828	A1 *	12/2004	Epstein	102/465

2005/0056184	A1 *	3/2005	Dunnam et al.	102/458
2006/0260500	A1 *	11/2006	Engel et al.	102/448
2009/0095187	A1 *	4/2009	Engel et al.	102/448

* cited by examiner

Primary Examiner — Michael Pratt

(74) *Attorney, Agent, or Firm* — Harness, Dickey & Pierce, P.L.C.

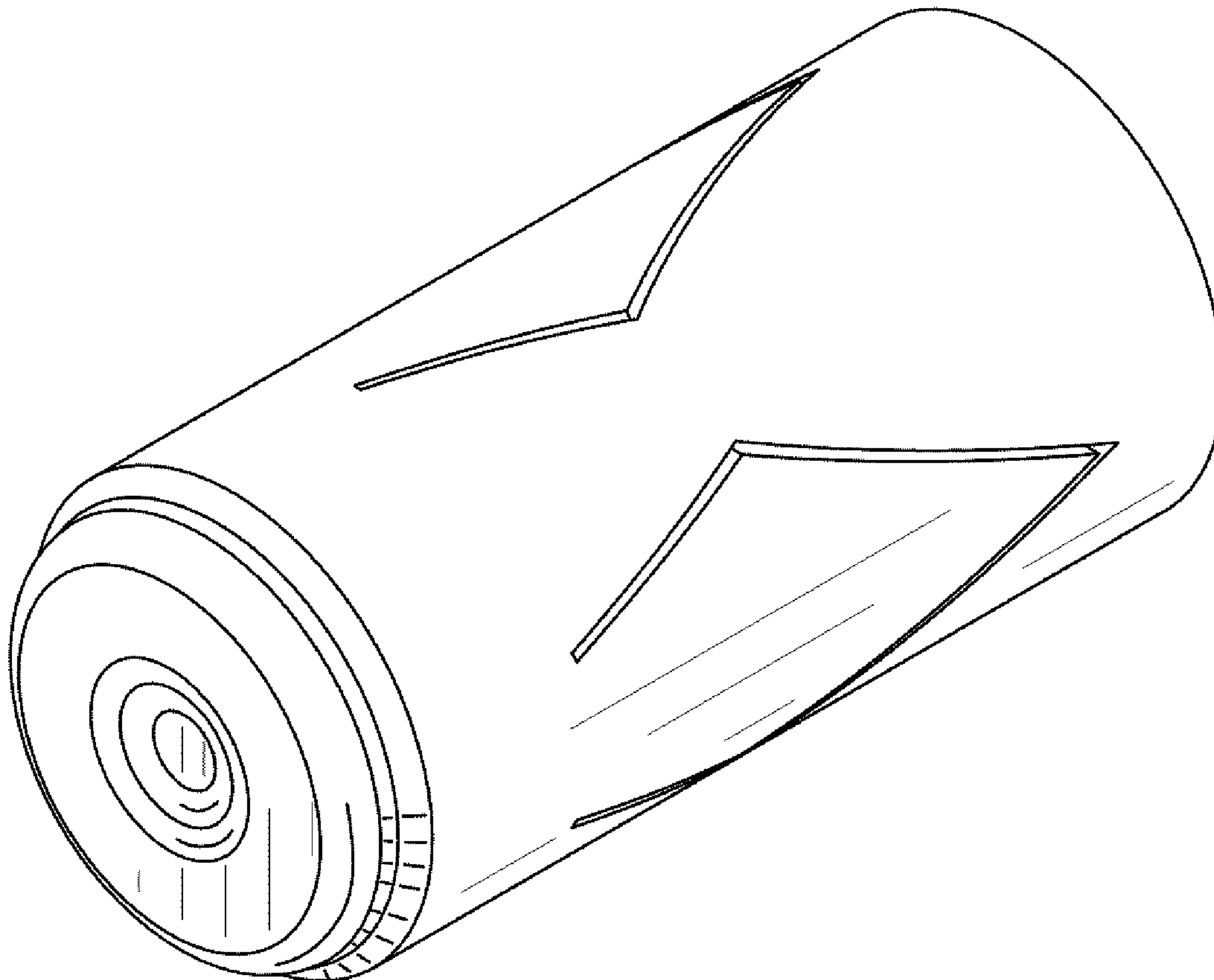
(57) **CLAIM**

The ornamental design for a shot cup, as shown and described.

DESCRIPTION

FIG. 1 is a perspective view of the proximal end of the shot cup;
 FIG. 2 is a perspective view of the distal end if the shot cup;
 FIG. 3 is a side elevation of the shot cup;
 FIG. 4 is a side elevation of the shot cup, from the side opposite of FIG. 3;
 FIG. 5 is a proximal end elevation view of the shot cup;
 FIG. 6 is a top plan view (relative to FIGS. 3 and 4) of the shot cup; and,
 FIG. 7 is a bottom plan view relative to FIGS. 3, 4, and 6) of the shot cup.

1 Claim, 4 Drawing Sheets



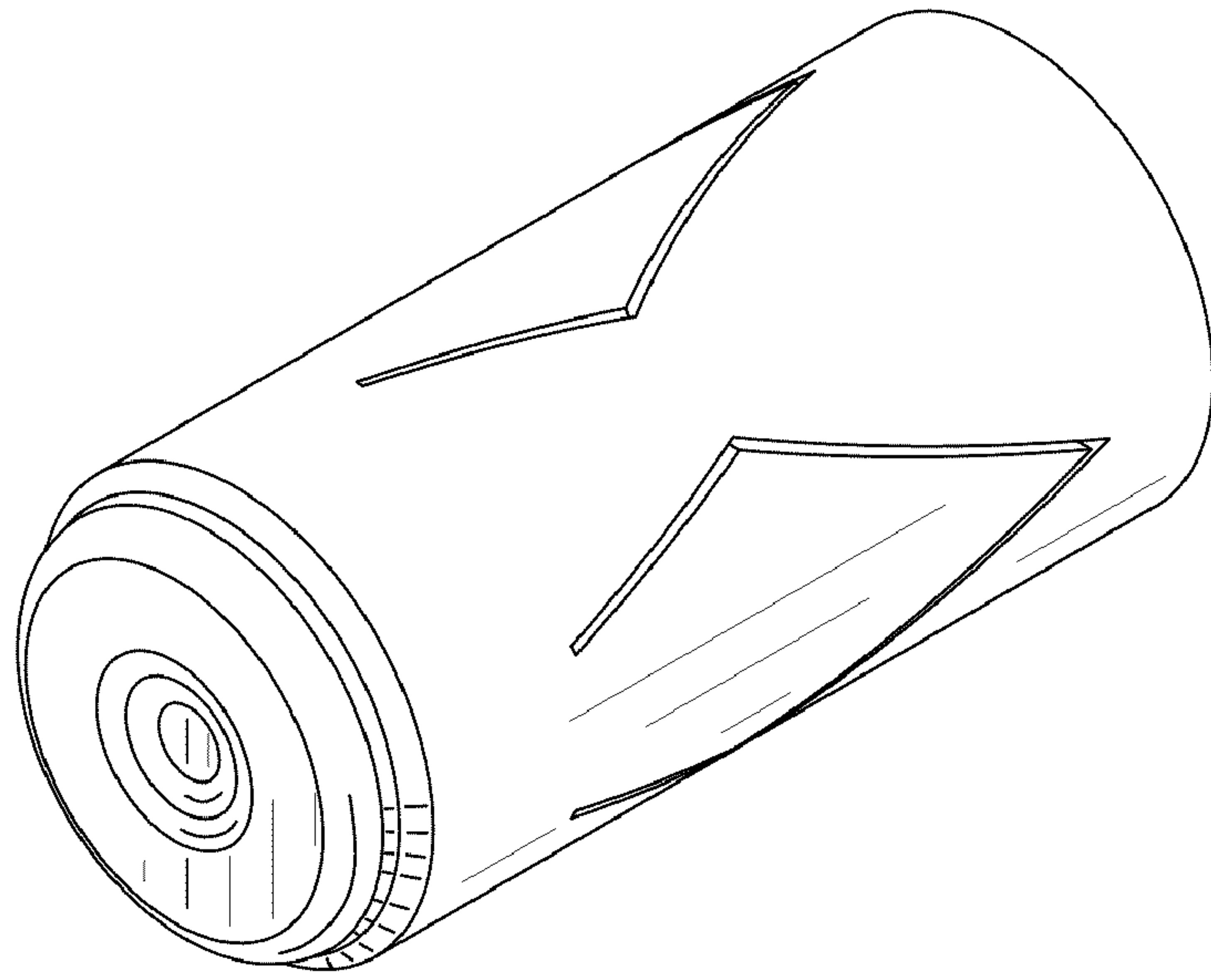


Fig. 1

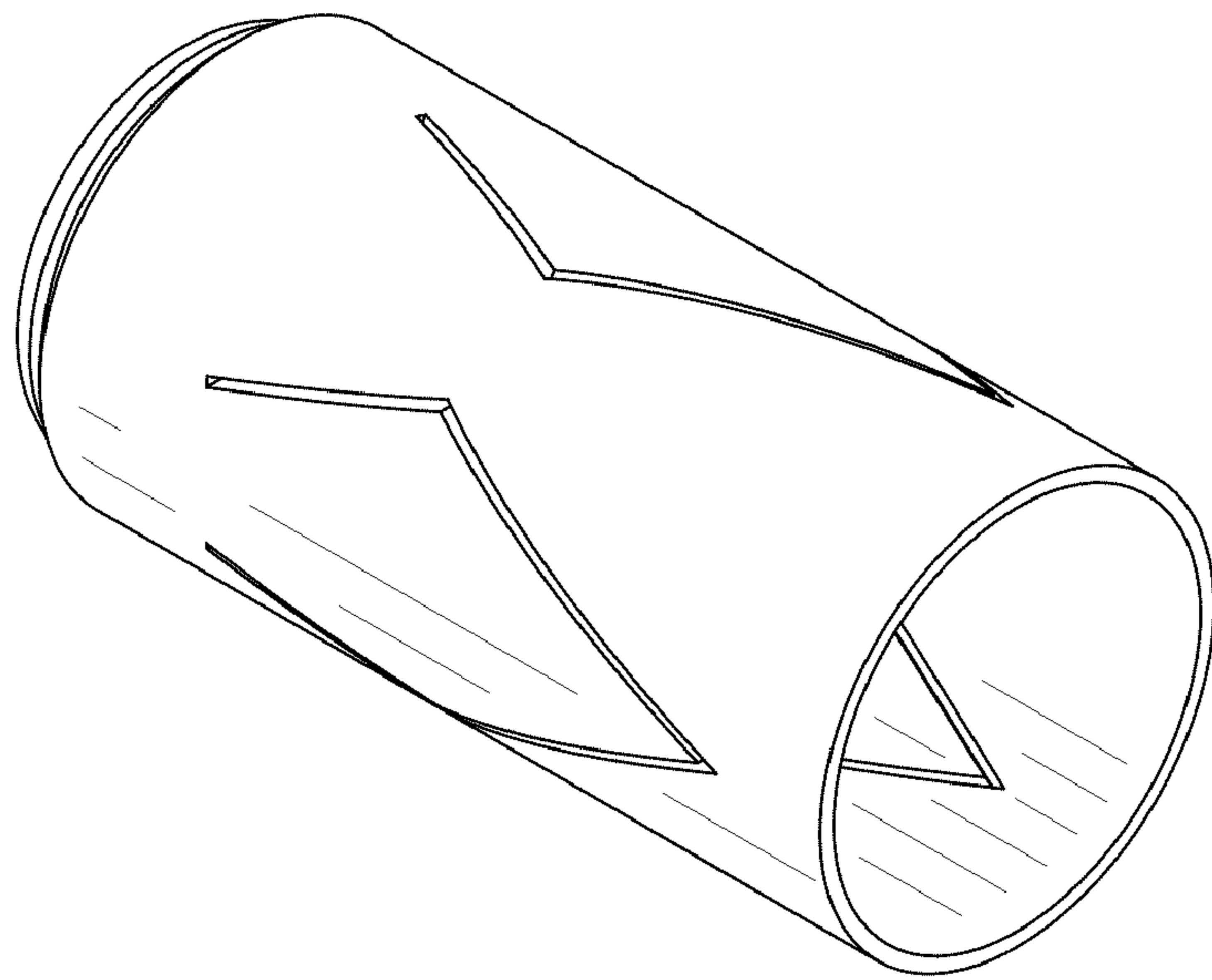


Fig. 2

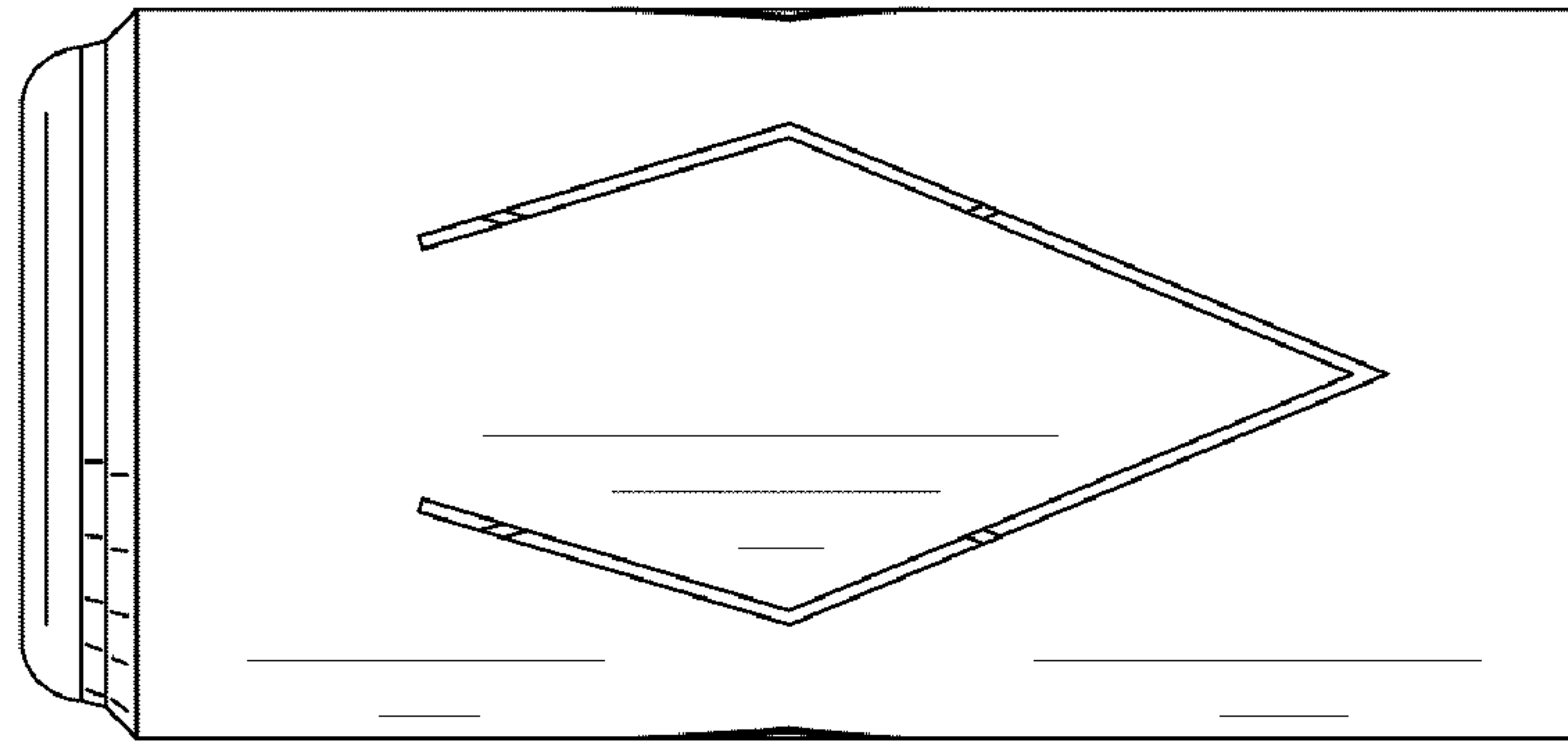


Fig. 3

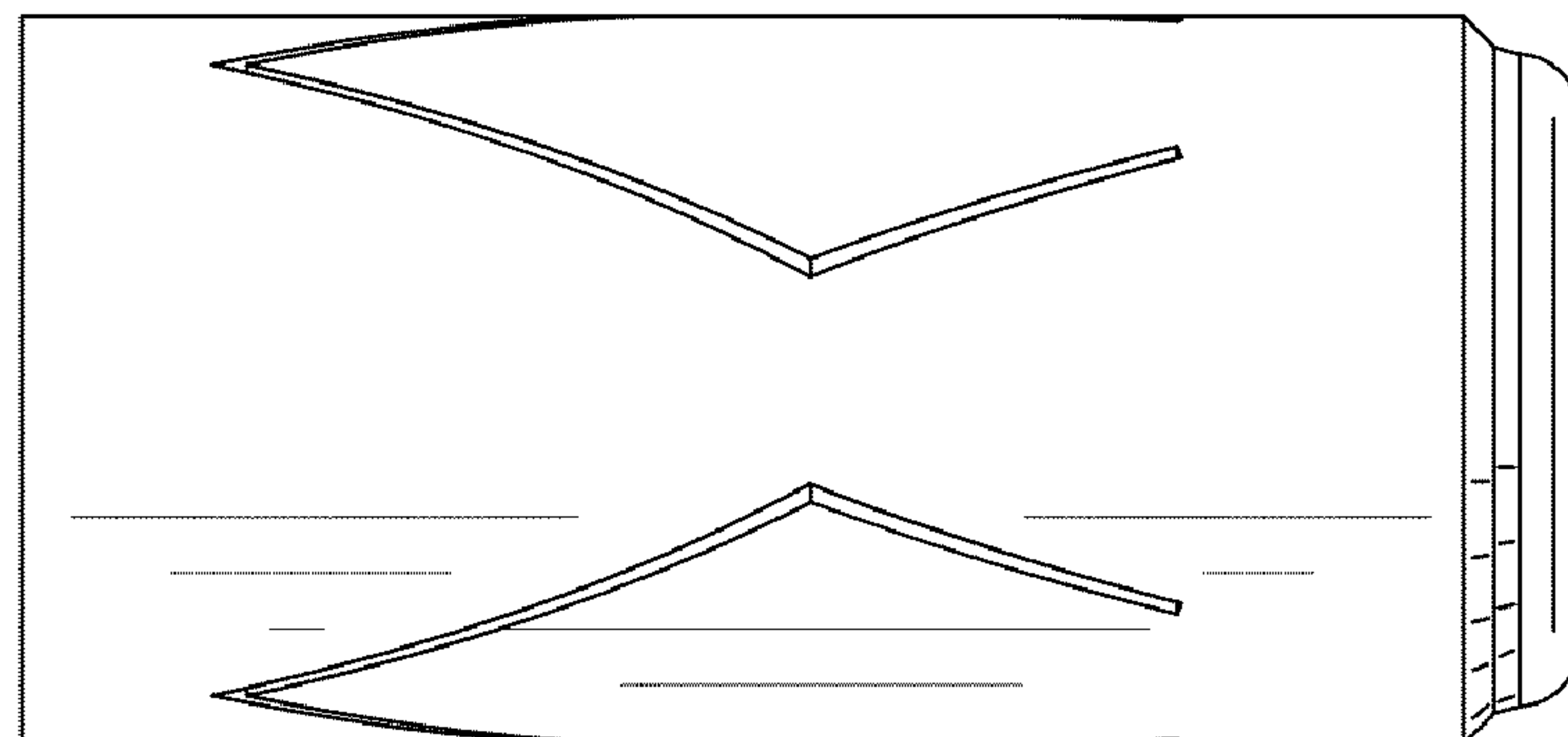


Fig. 4

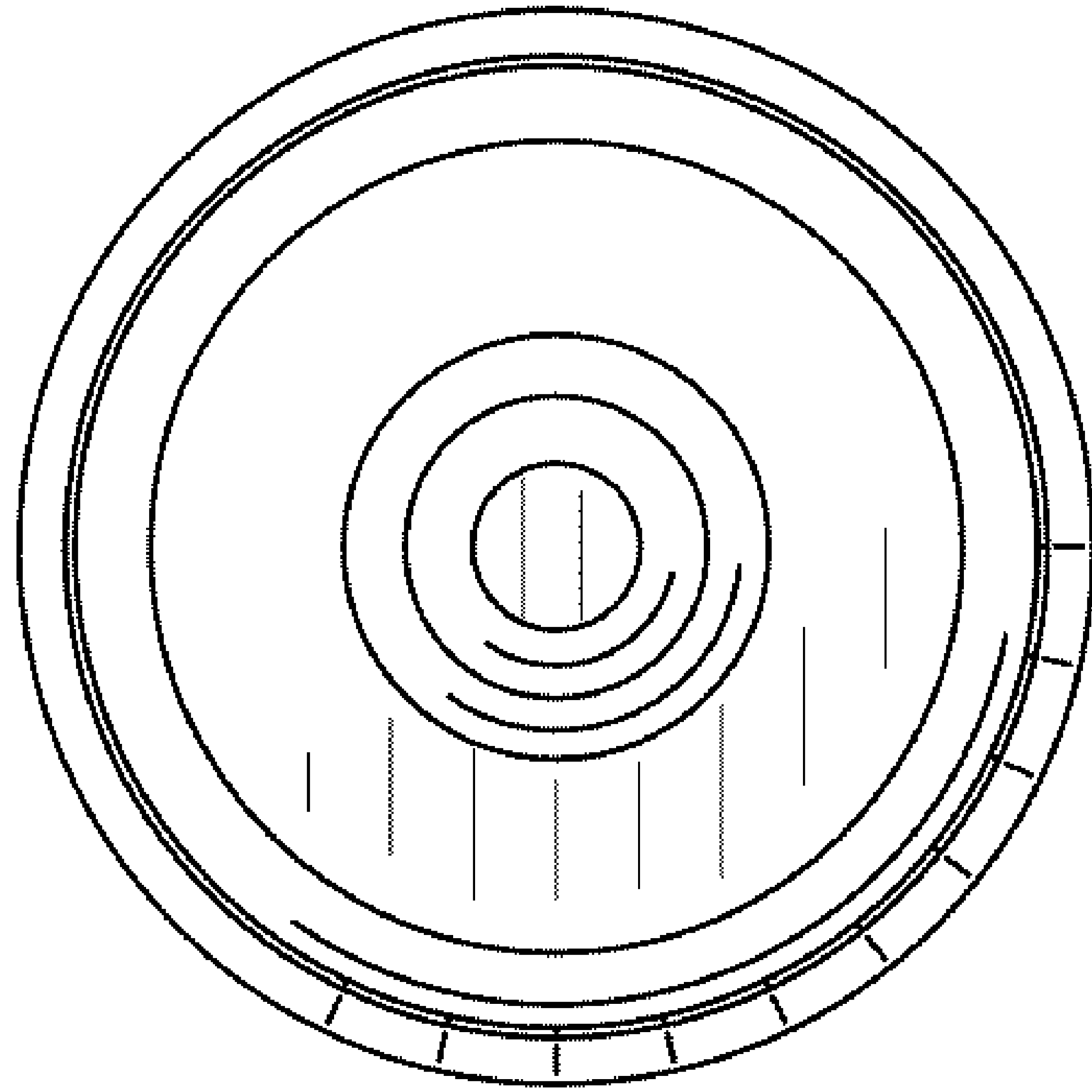


Fig. 5

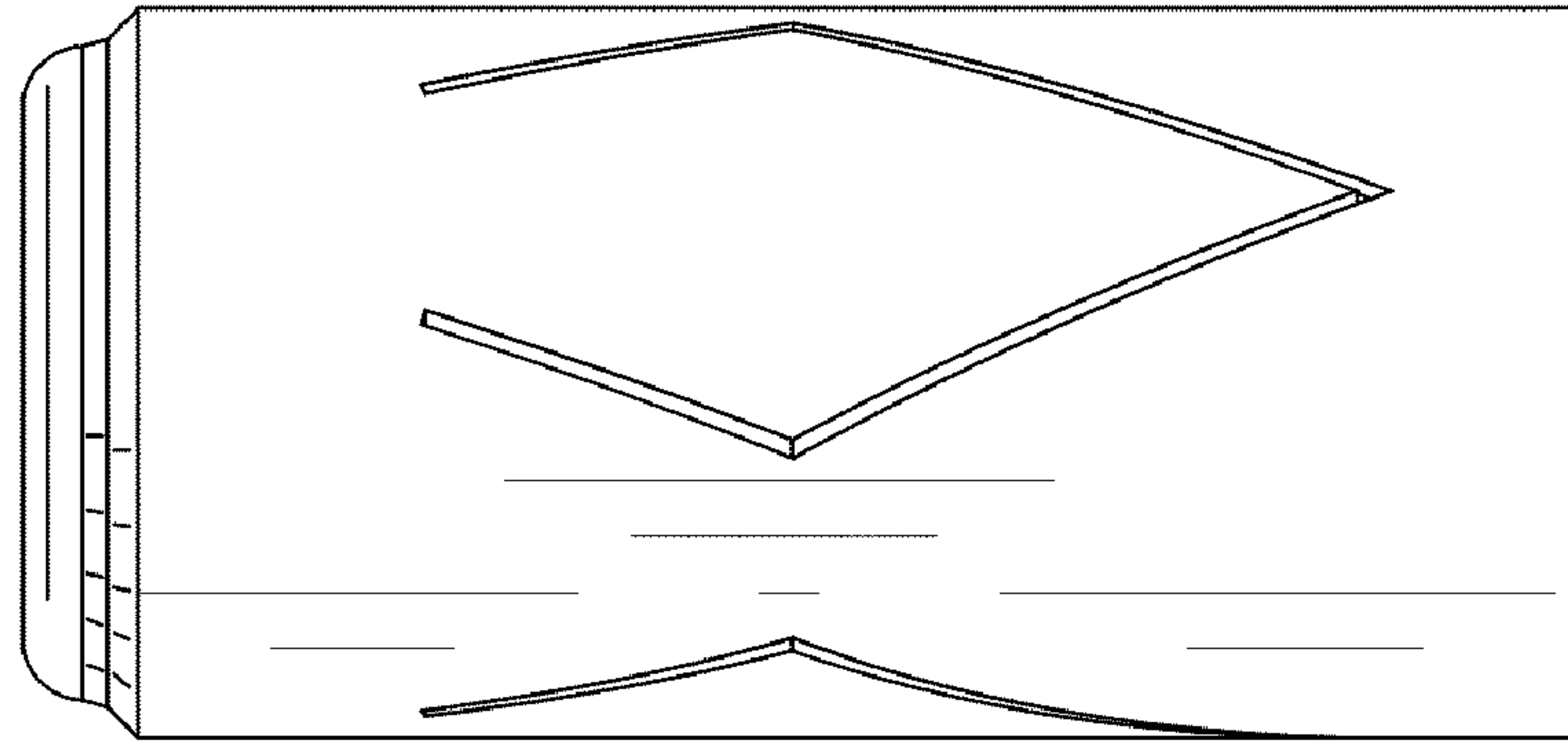


Fig. 6

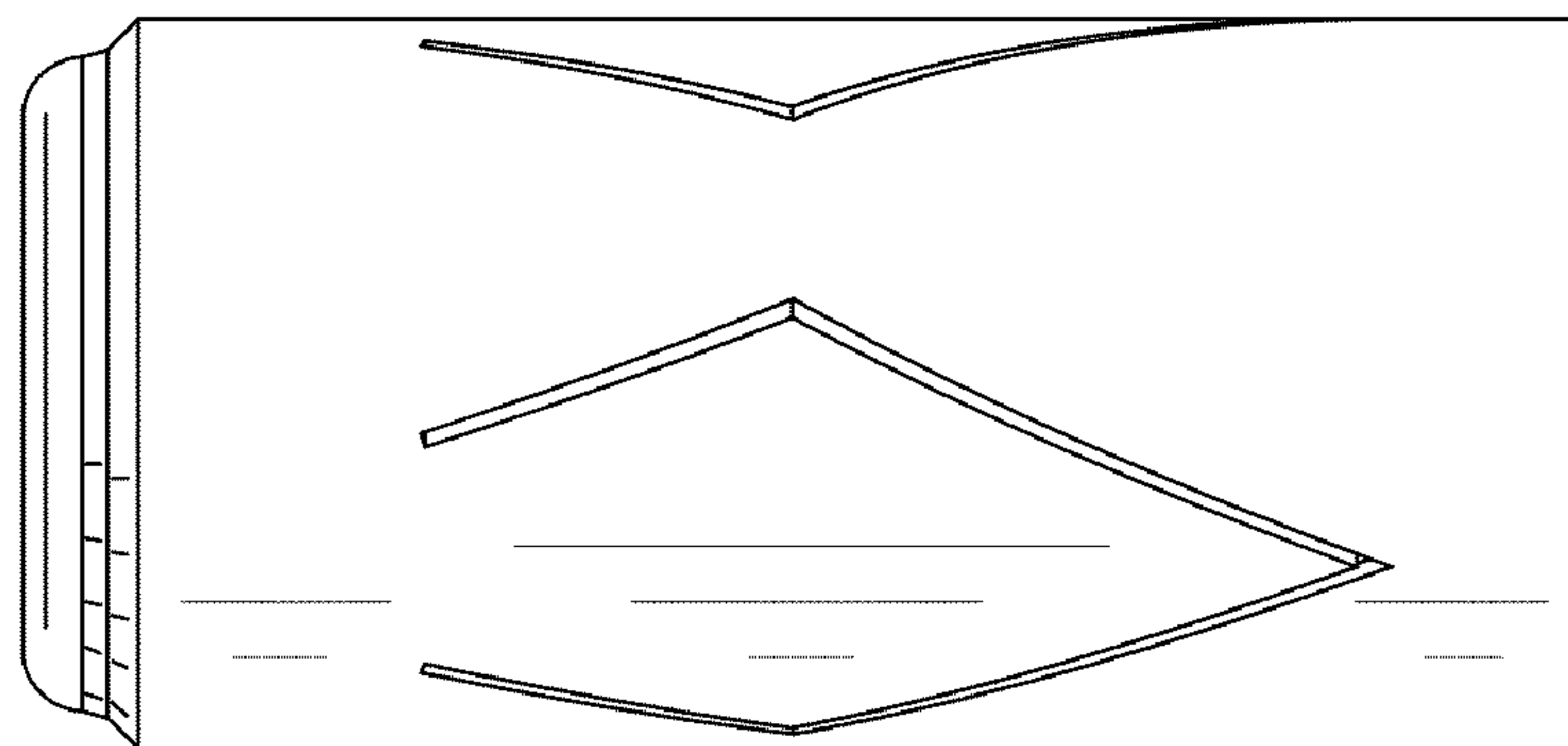


Fig. 7