

US00D654135S

(12) **United States Design Patent**
Edge et al.

(10) **Patent No.:** **US D654,135 S**

(45) **Date of Patent:** **** Feb. 14, 2012**

(54) **ADAPTIVE RAIL SYSTEM FOR AK-STYLE WEAPON**

(75) Inventors: **Andrew Christopher Edge**, Cincinnati, OH (US); **Christopher Francis Mitro**, Perrysburg, OH (US); **Thomas Arlen Dodge**, Hilliard, OH (US); **William Rhoades**, Columbus, OH (US)

(73) Assignee: **The Parabellum Innovations Corporation**, Columbus, OH (US)

(**) Term: **14 Years**

(21) Appl. No.: **29/388,810**

(22) Filed: **Apr. 1, 2011**

Related U.S. Application Data

(63) Continuation-in-part of application No. 29/385,130, filed on Feb. 9, 2011.

(51) **LOC (9) Cl.** **22-01**

(52) **U.S. Cl.** **D22/108**

(58) **Field of Classification Search** D22/108-110, D22/199; 89/111-133; 359/399, 823, 744; 42/104, 105, 111-113, 116, 120, 124-126, 42/127-129, 141-148, 133-140; 33/227, 33/229

See application file for complete search history.

(56) **References Cited**

U.S. PATENT DOCUMENTS

D609,770 S * 2/2010 Mulfinger et al. D22/110
2002/0162267 A1 * 11/2002 Nelson et al. 42/120
2008/0072471 A1 * 3/2008 Keng 42/124

* cited by examiner

Primary Examiner — Michael Pratt

(74) *Attorney, Agent, or Firm* — James R. Eley; Michael A. Forhan; Eley Law Firm Co. LPA

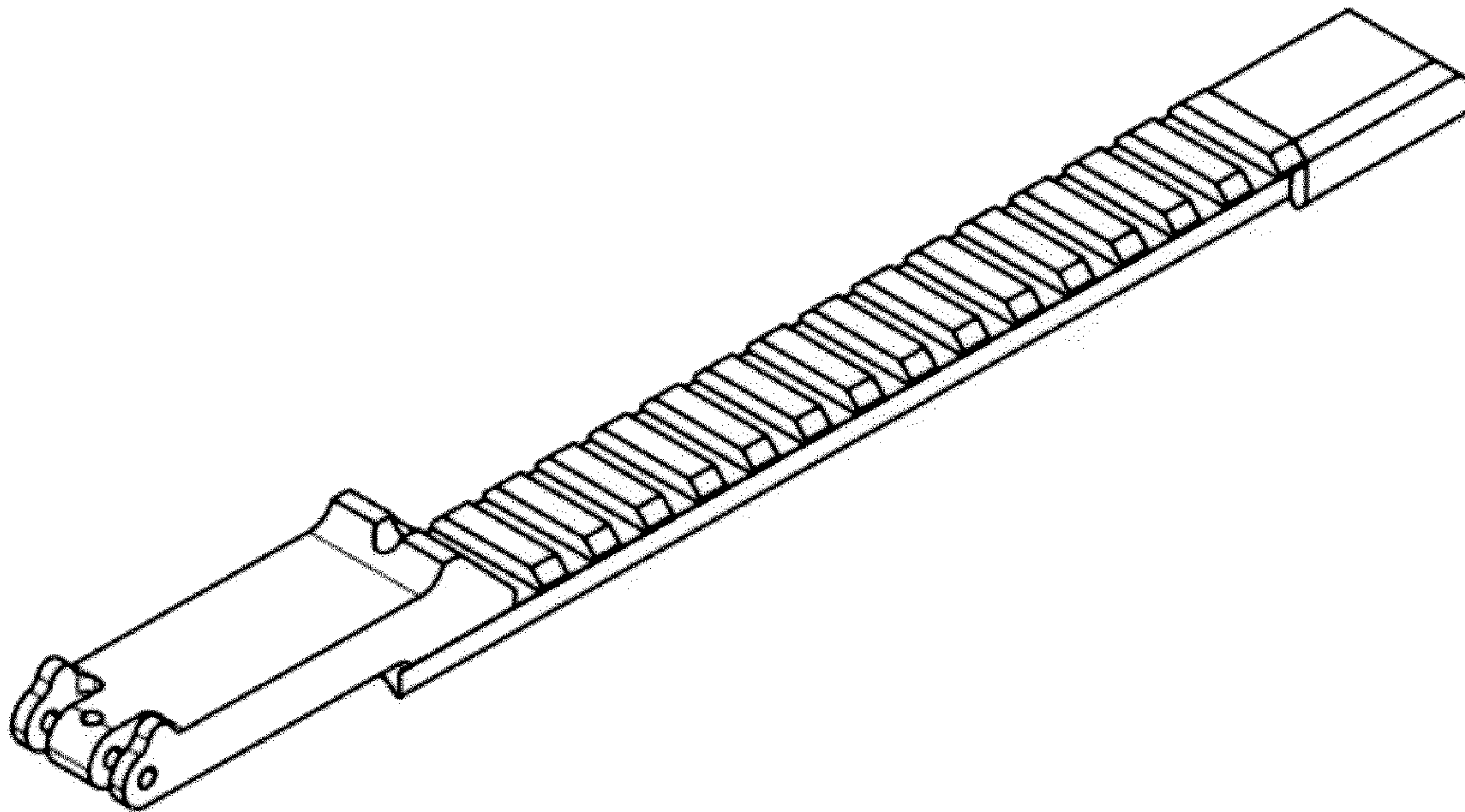
(57) **CLAIM**

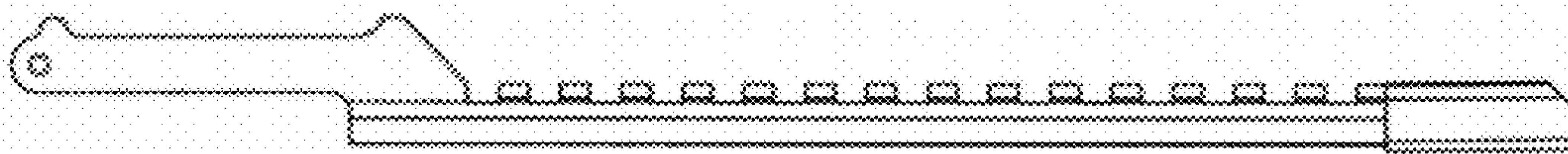
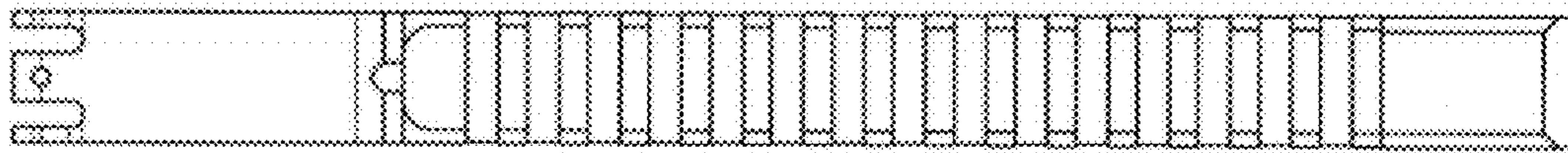
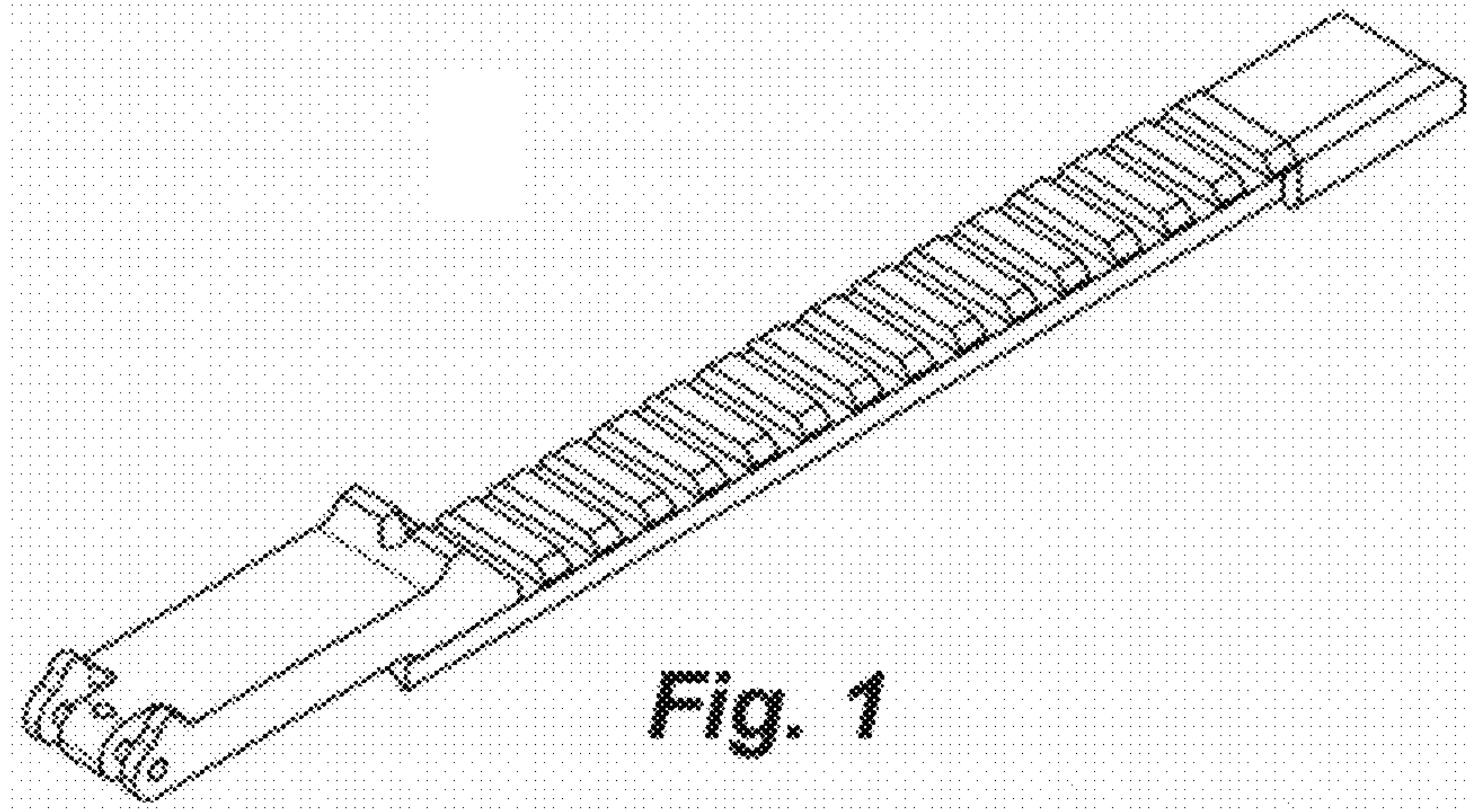
The ornamental design for an adaptive rail system for an AK-style weapon, as shown and described.

DESCRIPTION

FIG. 1 is a perspective view of the adaptive rail system for an AK-style weapon showing our new design; FIG. 2 is a top plan view thereof; FIG. 3 is a left side elevational view thereof; FIG. 4 is a right side elevational view thereof; FIG. 5 is a bottom plan view thereof; FIG. 6 is an enlarged front elevational view thereof; and, FIG. 7 is an enlarged rear elevational view thereof.

1 Claim, 2 Drawing Sheets





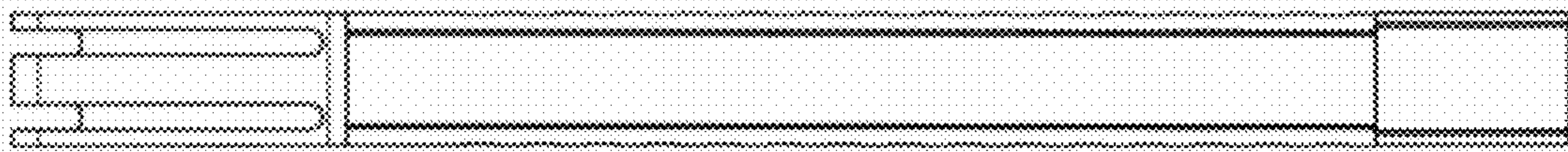


Fig. 5

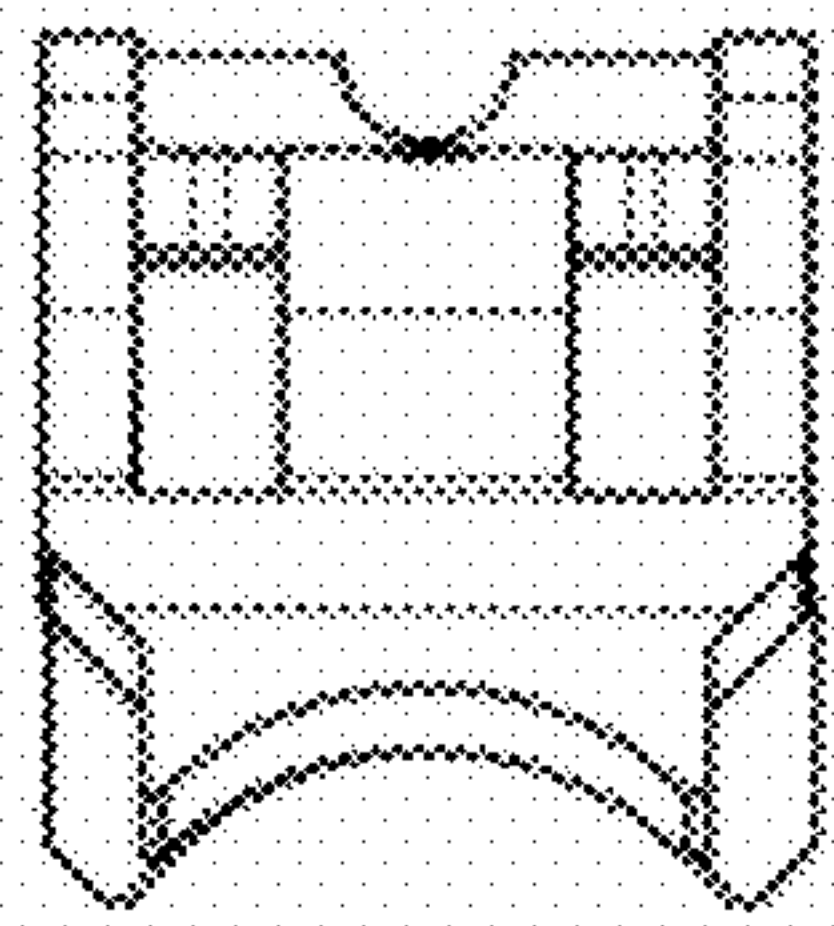


Fig. 6

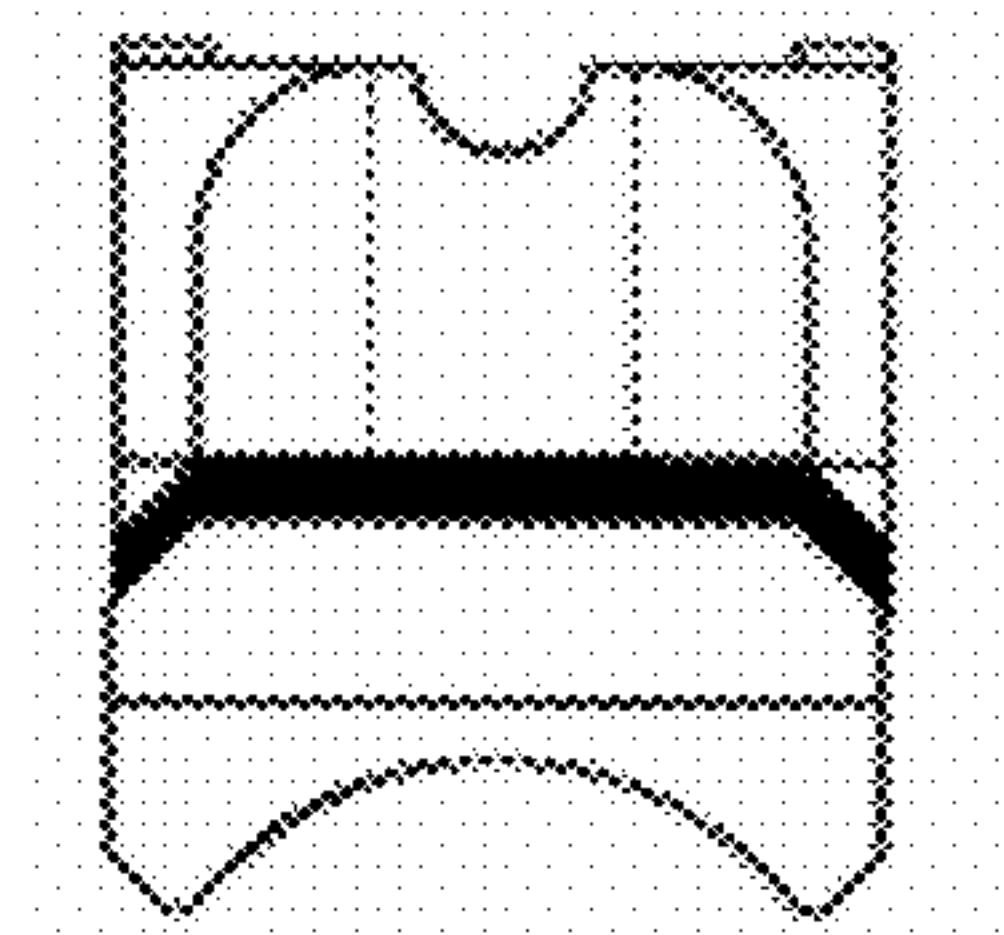


Fig. 7