

US00D654133S

(12) **United States Design Patent**
Barnett

(10) **Patent No.:** **US D654,133 S**

(45) **Date of Patent:** **** Feb. 14, 2012**

(54) **CROSSBOW COCKING HANDLE**
(75) Inventor: **David A. Barnett**, Tarpon Springs, FL (US)
(73) Assignee: **Barnett Outdoors, LLC**, Tarpon Springs, FL (US)

6,874,491 B2 4/2005 Bednar
6,913,007 B2 7/2005 Bednar
7,017,568 B1 3/2006 Smith
D557,584 S * 12/2007 Gao D8/107
7,624,725 B1 12/2009 Choma
D630,699 S * 1/2011 Wurtz D22/107

(**) Term: **14 Years**

(21) Appl. No.: **29/367,764**

(22) Filed: **Aug. 12, 2010**

(51) **LOC (9) Cl.** **22-01**

(52) **U.S. Cl.** **D22/107**

(58) **Field of Classification Search** D22/100,
D22/107, 199; 124/23.1, 25.6, 86, 88; D21/572;
D8/DIG. 1, 68, 55, 104-105, 300-303, 307,
D8/318

See application file for complete search history.

OTHER PUBLICATIONS

U.S. Appl. No. 12/855,547, "Multi-Purpose Crossbow Cocking Device and Method," David A. Barnett, filed Aug. 12, 2010 (co-pending application).

* cited by examiner

Primary Examiner — Michael Pratt

(74) *Attorney, Agent, or Firm* — Jones Walker

(57) **CLAIM**

I claim the ornamental design for a crossbow cocking handle, as shown and described.

(56) **References Cited**

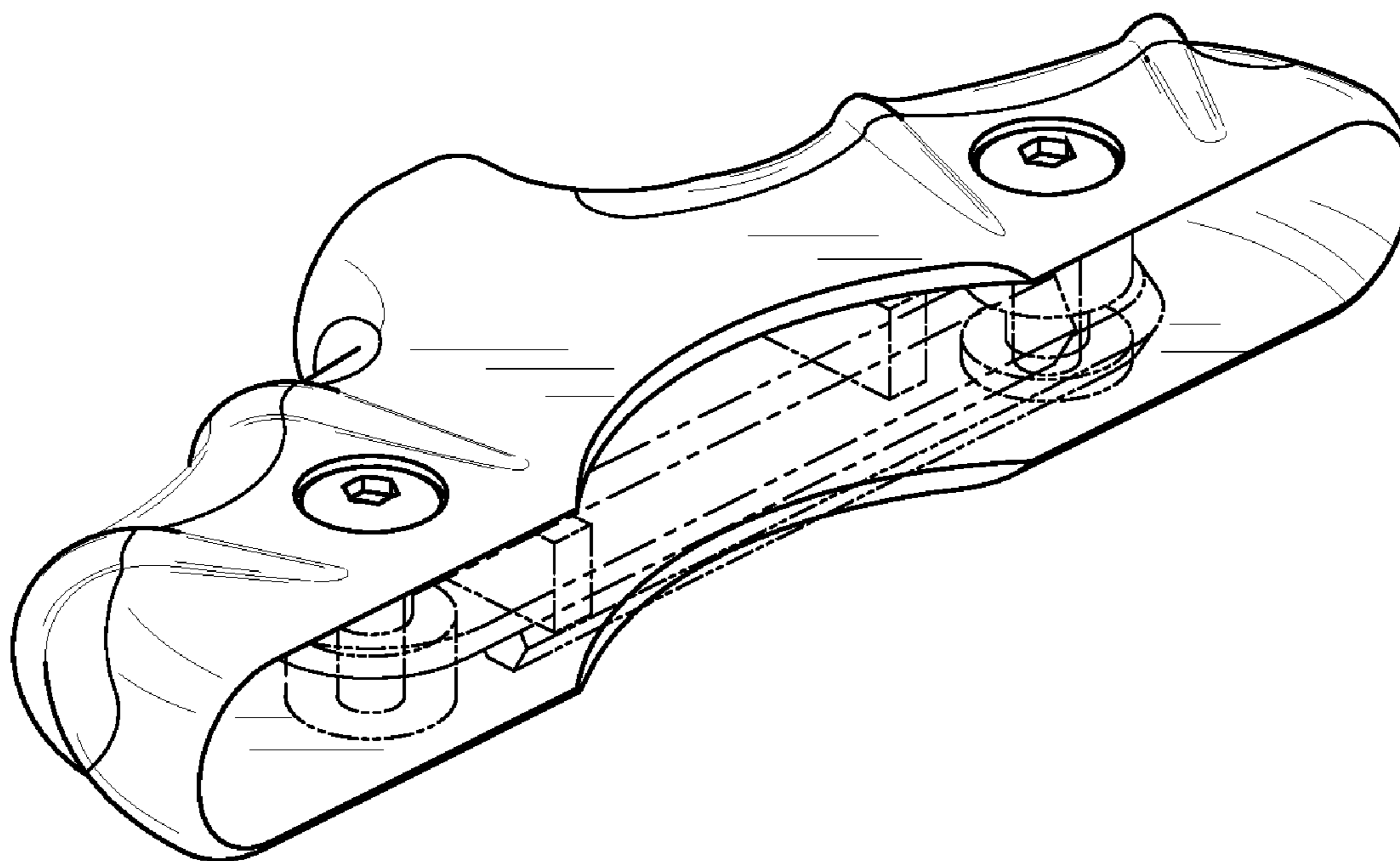
U.S. PATENT DOCUMENTS

D255,824 S * 7/1980 MacWilliams et al. D22/107
D284,346 S * 6/1986 Masters D8/21
4,603,676 A 8/1986 Luoma
4,719,987 A 1/1988 Gaudreau
D298,478 S * 11/1988 Ticknor D30/153
5,115,795 A 5/1992 Farris
5,220,906 A 6/1993 Choma
5,243,956 A 9/1993 Luehring
5,823,172 A 10/1998 Suggitt
6,095,128 A 8/2000 Bednar
6,286,496 B1 9/2001 Bednar
6,705,304 B1 3/2004 Pauluhn

DESCRIPTION

FIG. 1 is a perspective, top view of an embodiment showing my new design;
FIG. 2 is another perspective, top view thereof;
FIG. 3 is a front view thereof;
FIG. 4 is another front view thereof;
FIG. 5 is a side view thereof; and,
FIG. 6 is a bottom view thereof.
The broken lines in FIGS. 1-4 are for illustrative purposes only and form no part of the claimed design.

1 Claim, 3 Drawing Sheets



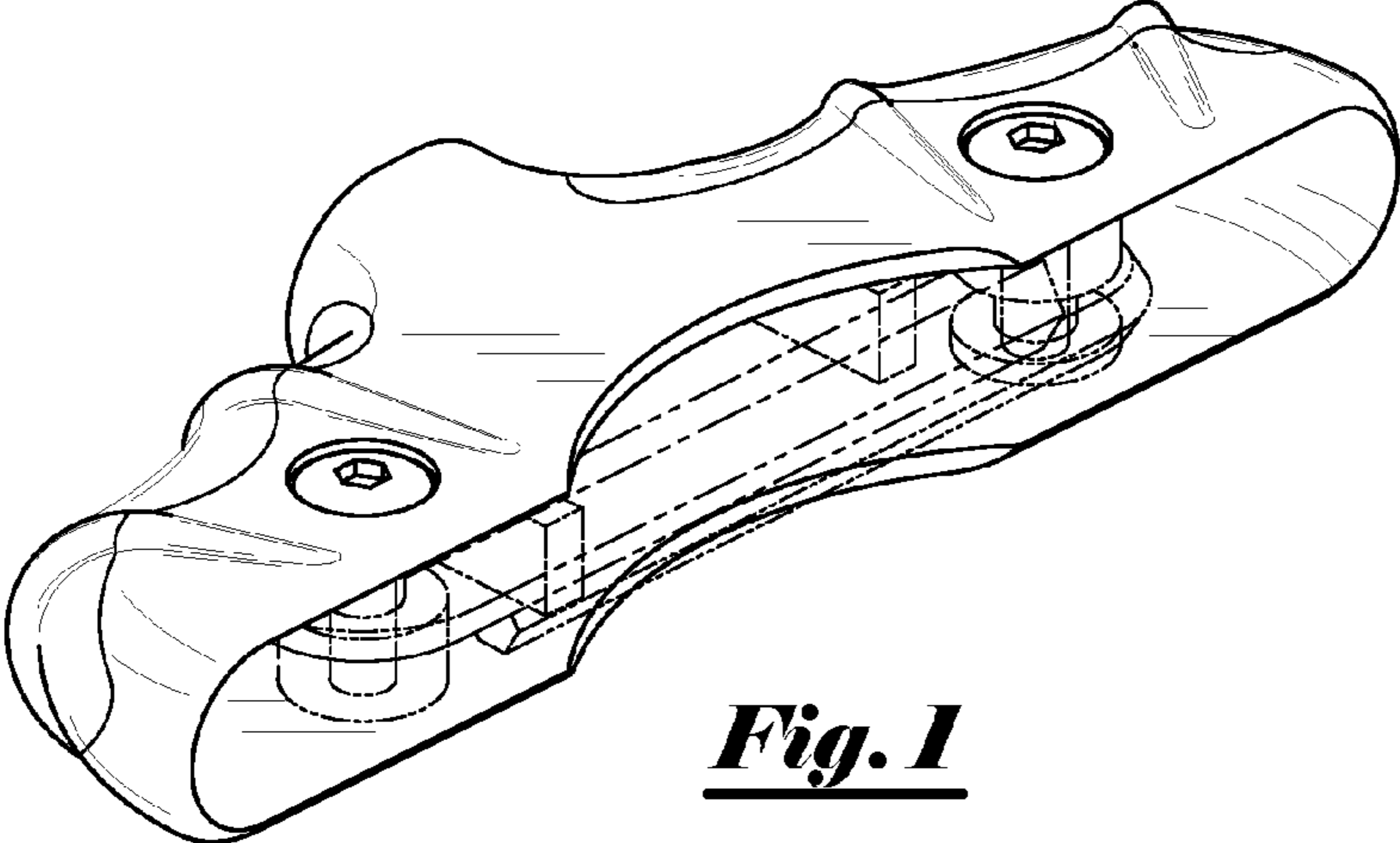


Fig. 1

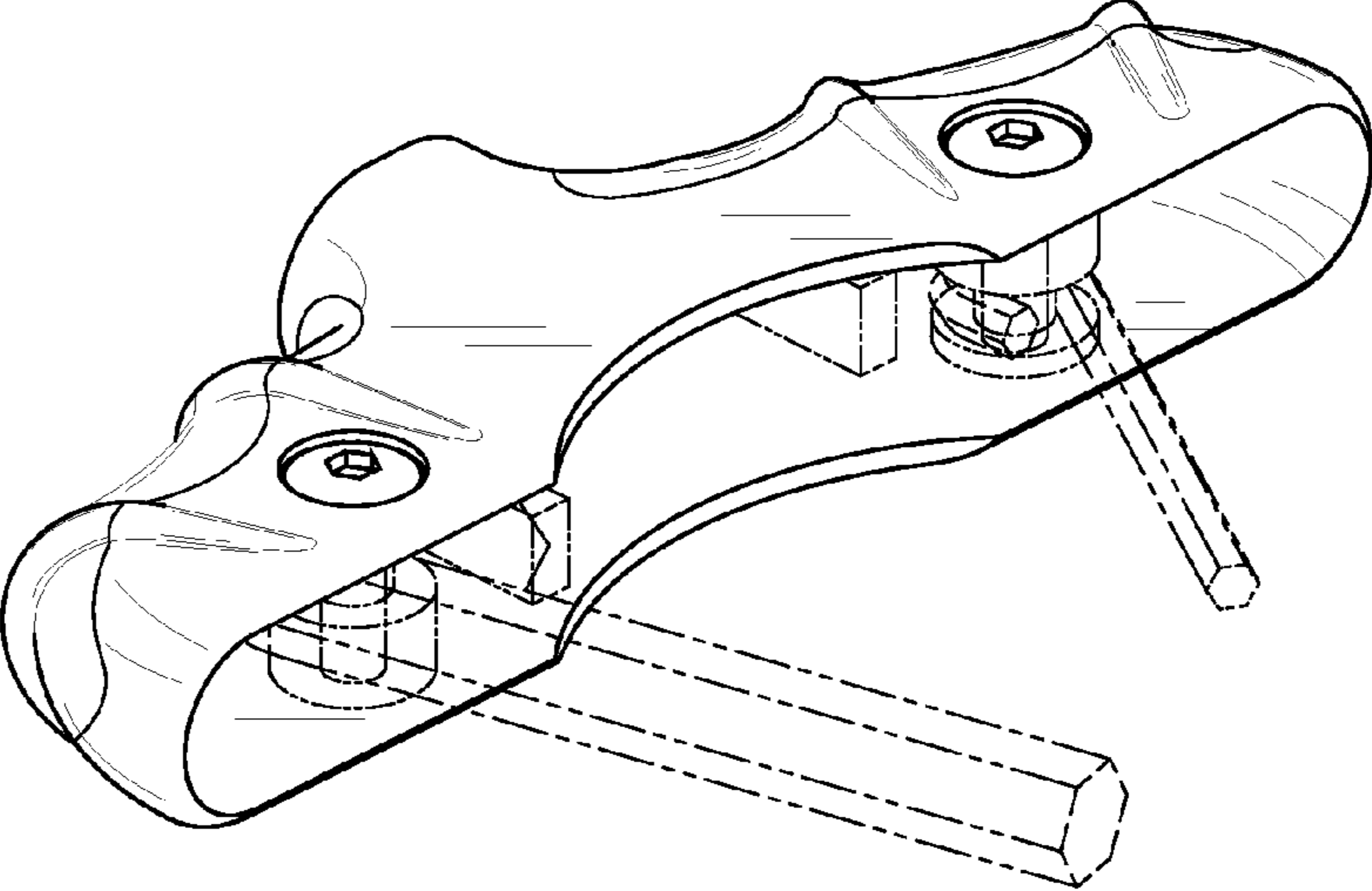


Fig. 2

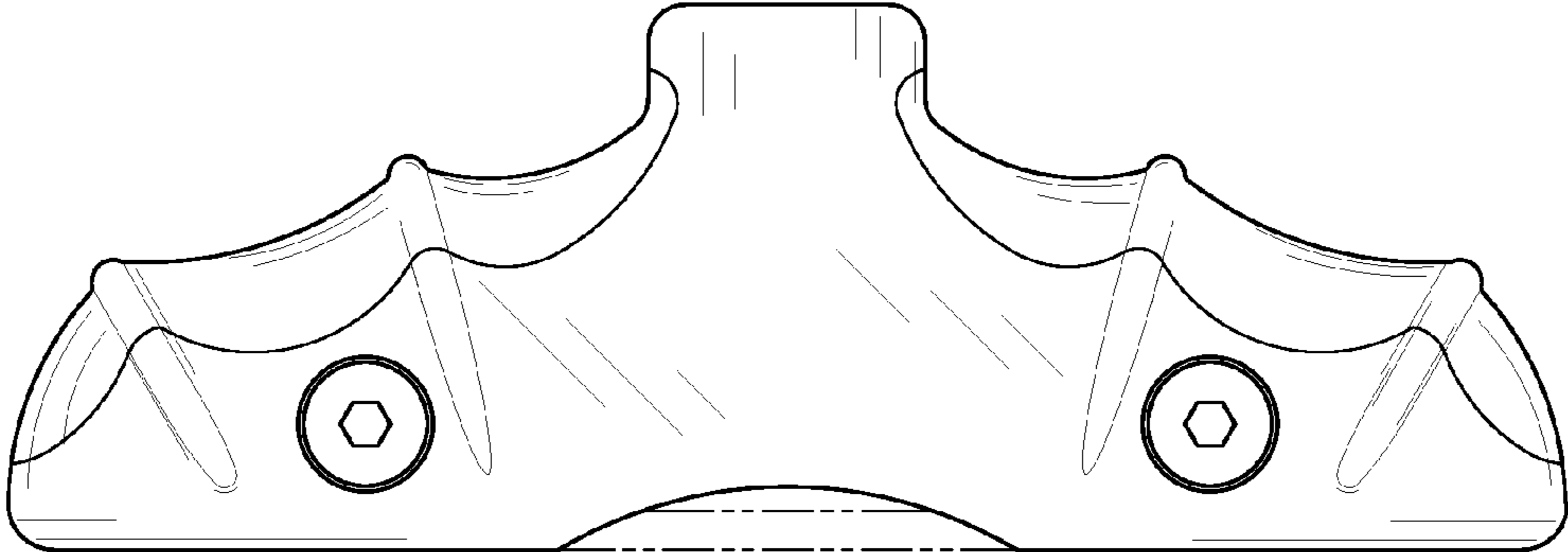


Fig. 3

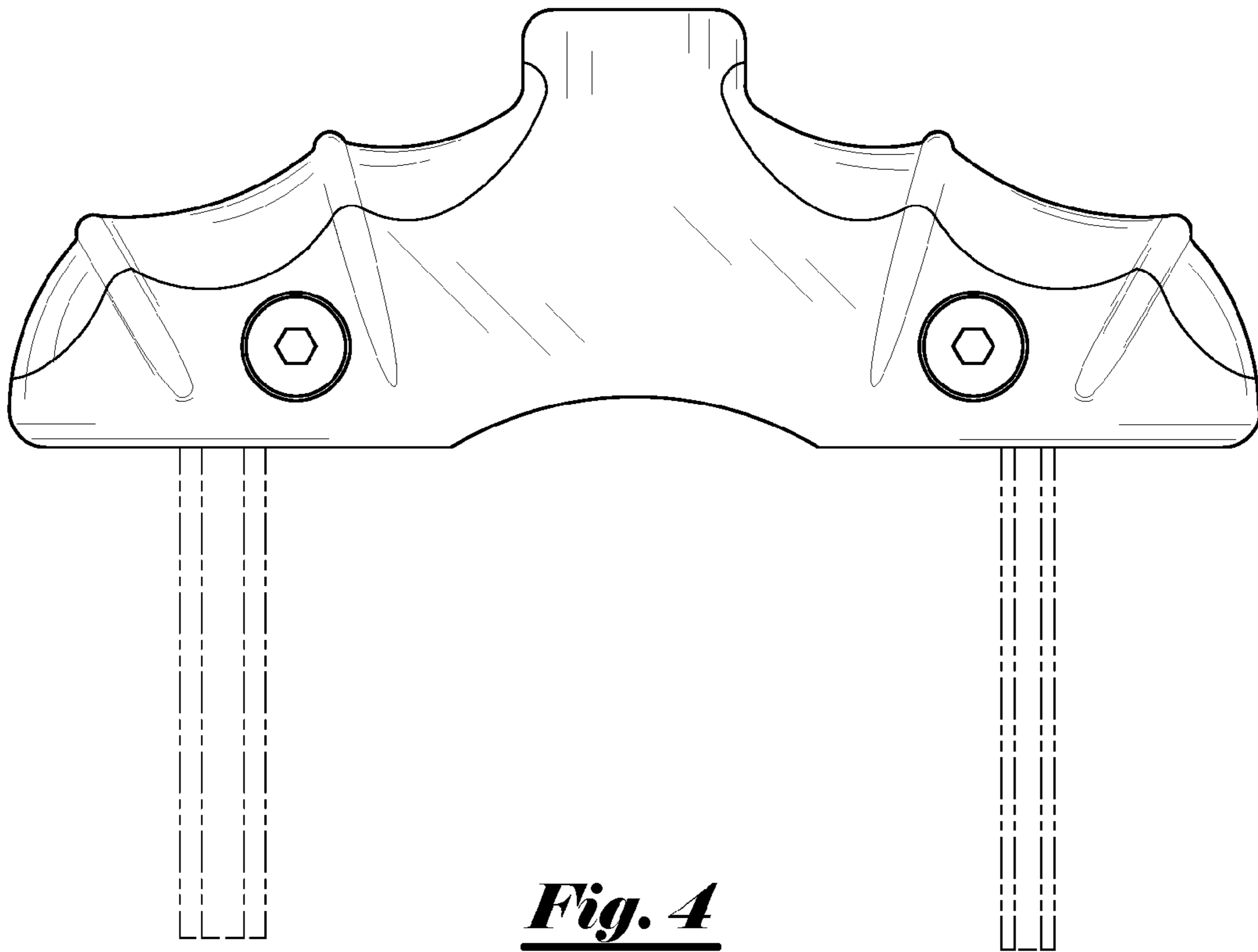


Fig. 4

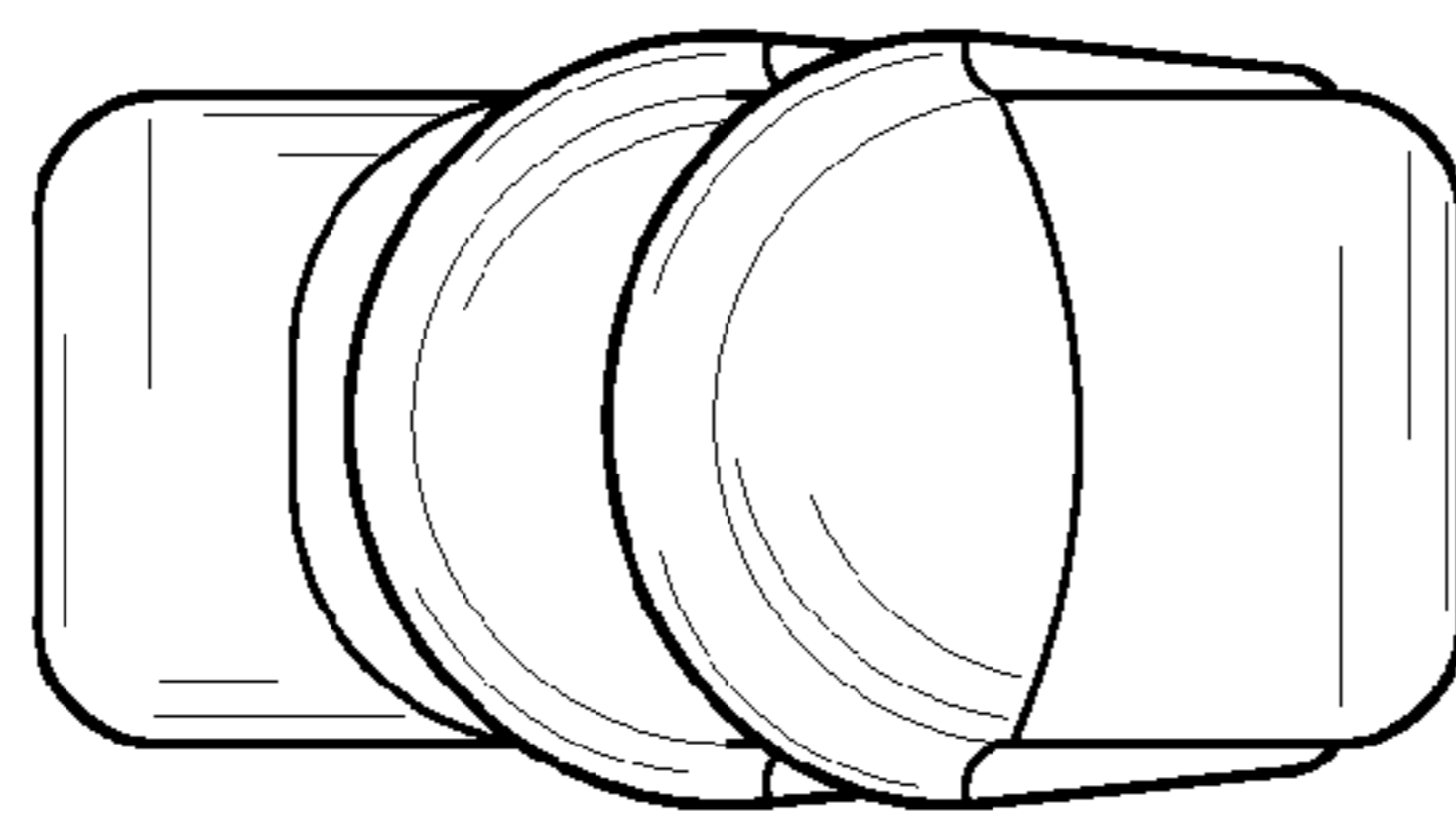


Fig. 5

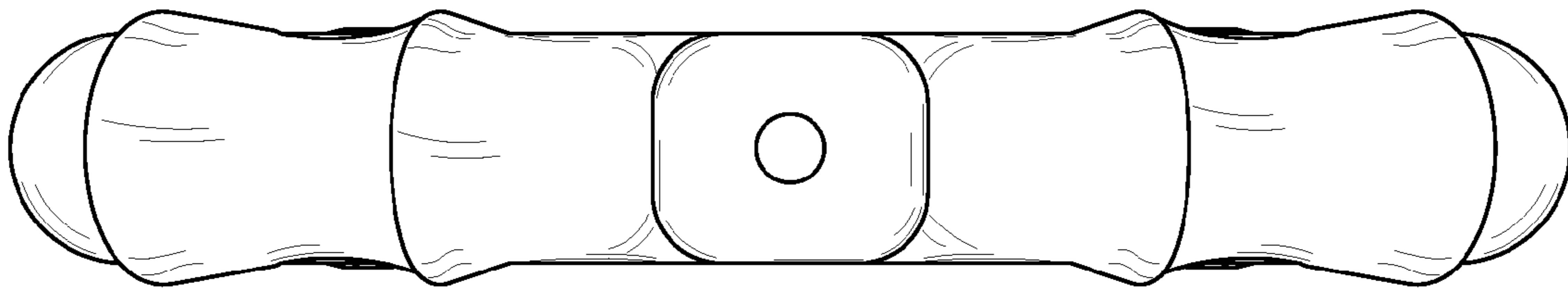


Fig. 6