



US00D654127S

(12) **United States Design Patent**
Blackstock

(10) **Patent No.:** **US D654,127 S**

(45) **Date of Patent:** **** Feb. 14, 2012**

(54) **WEIGHT LIFTING GRIP**

(76) **Inventor:** **Dexter Blackstock**, Bronx, NY (US)

(**) **Term:** **14 Years**

(21) **Appl. No.:** **29/367,539**

(22) **Filed:** **Sep. 10, 2010**

(51) **LOC (9) Cl.** **21-02**

(52) **U.S. Cl.** **D21/694; D29/113**

(58) **Field of Classification Search** D8/90;
451/1; D21/694, 662, 683; 602/22; D29/113
See application file for complete search history.

(56) **References Cited**

U.S. PATENT DOCUMENTS

368,724	A *	8/1887	Loucks	2/19
1,455,826	A *	5/1923	Yorgnesen	441/58
3,777,444	A *	12/1973	Dunn	451/523
4,754,499	A *	7/1988	Pirie	2/20
D314,599	S *	2/1991	Birmingham	D21/732
5,781,928	A *	7/1998	Avila	2/16
D454,230	S *	3/2002	DeLaup	D29/113
D465,617	S *	11/2002	DeLaup	D29/113
D479,971	S *	9/2003	Wilson et al.	D8/90
D525,508	S *	7/2006	Leonard, II	D8/90

D526,180	S *	8/2006	Holden	D8/90
7,101,423	B2 *	9/2006	Lersch et al.	96/68
7,495,569	B2 *	2/2009	Pittz	340/573.1
D620,058	S *	7/2010	Gaedke	D21/662
D630,276	S *	1/2011	Bruno	D21/694
D634,481	S *	3/2011	Davis	D29/117.1
D643,931	S *	8/2011	Voskuilen	D24/190

* cited by examiner

Primary Examiner — Cynthia Underwood

(74) *Attorney, Agent, or Firm* — Dexter Blackstock

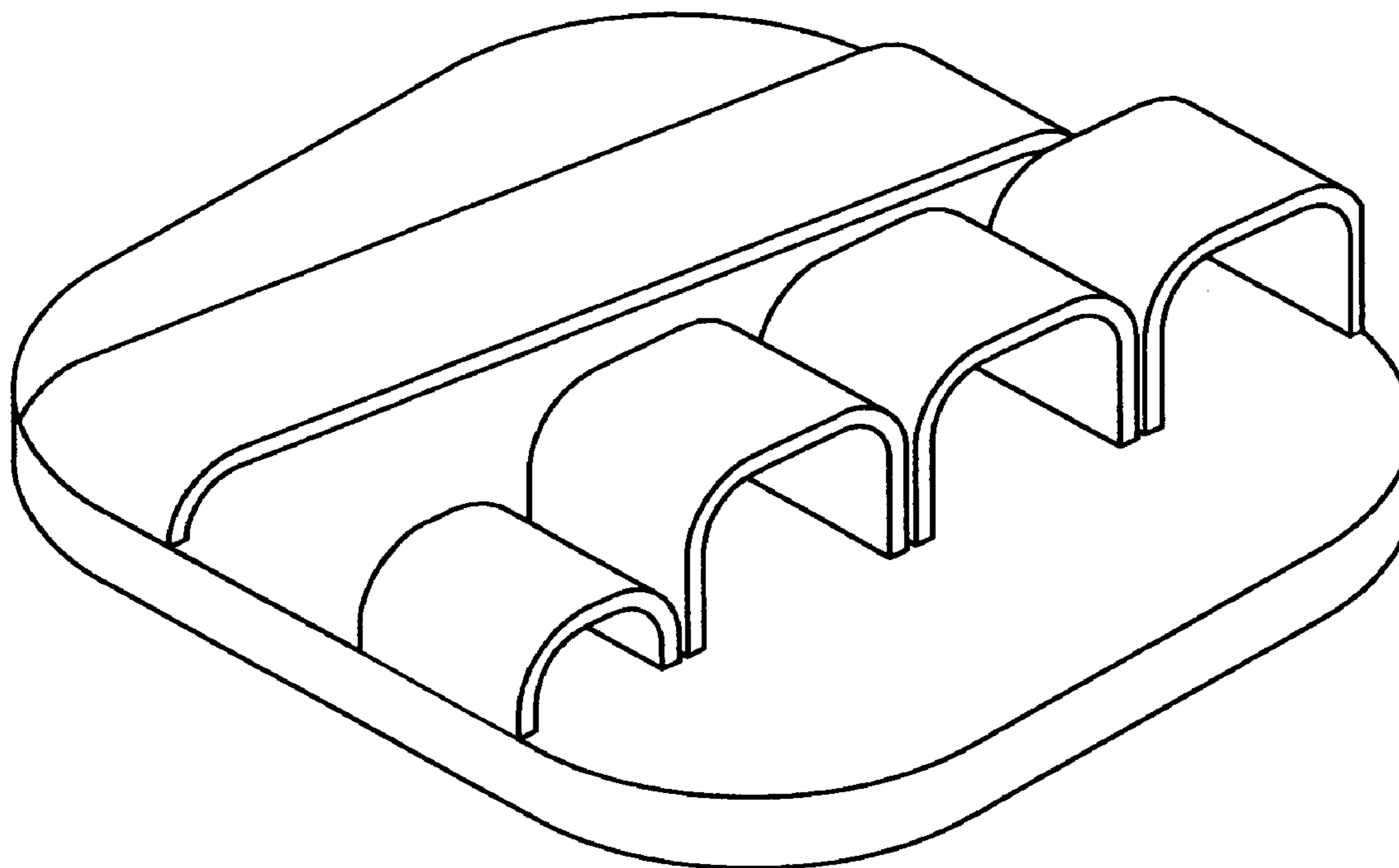
(57) **CLAIM**

The ornamental design for weight lifting grip, as shown and described.

DESCRIPTION

FIG. 1 is a front, top perspective view of my new design;
FIG. 2 is a left side view thereof,
FIG. 3 is a right side view thereof,
FIG. 4 is a front view thereof,
FIG. 5 is a rear view thereof,
FIG. 6 is a top view thereof; and,
FIG. 7 is a bottom view thereof.
The broken lines represent a portion of the structure that forms no part of the claim.

1 Claim, 5 Drawing Sheets



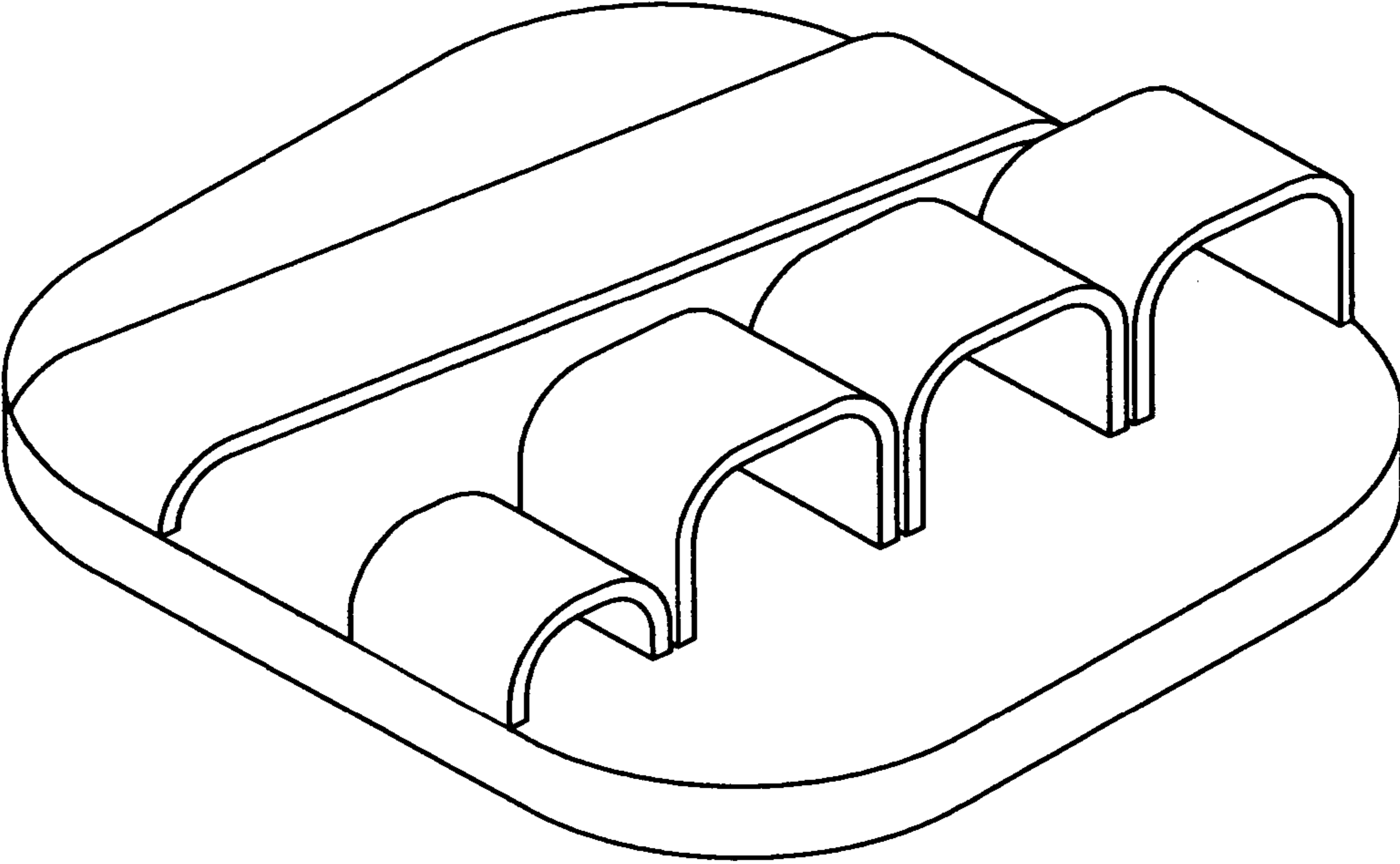


FIG. 1

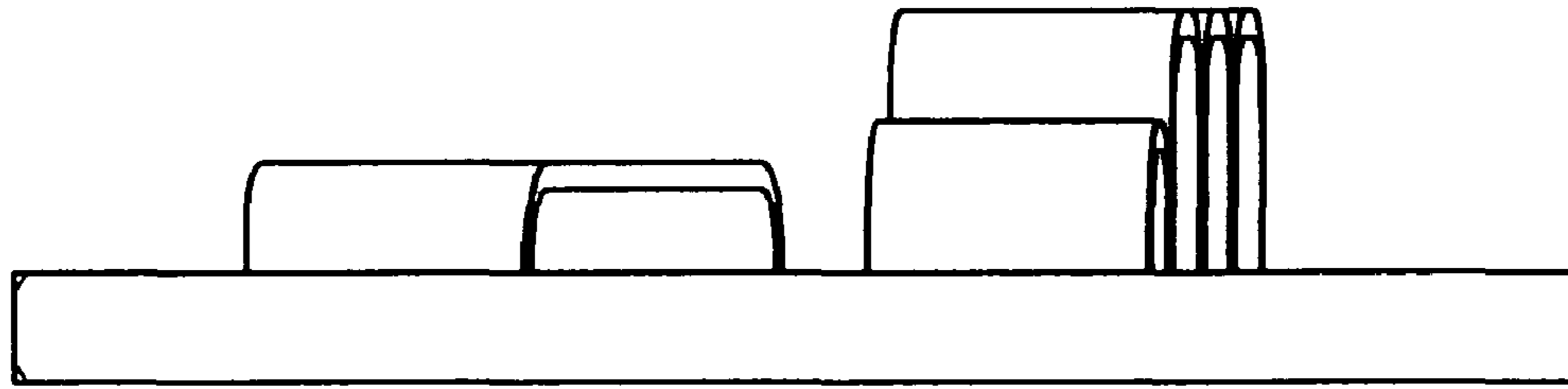


FIG. 2

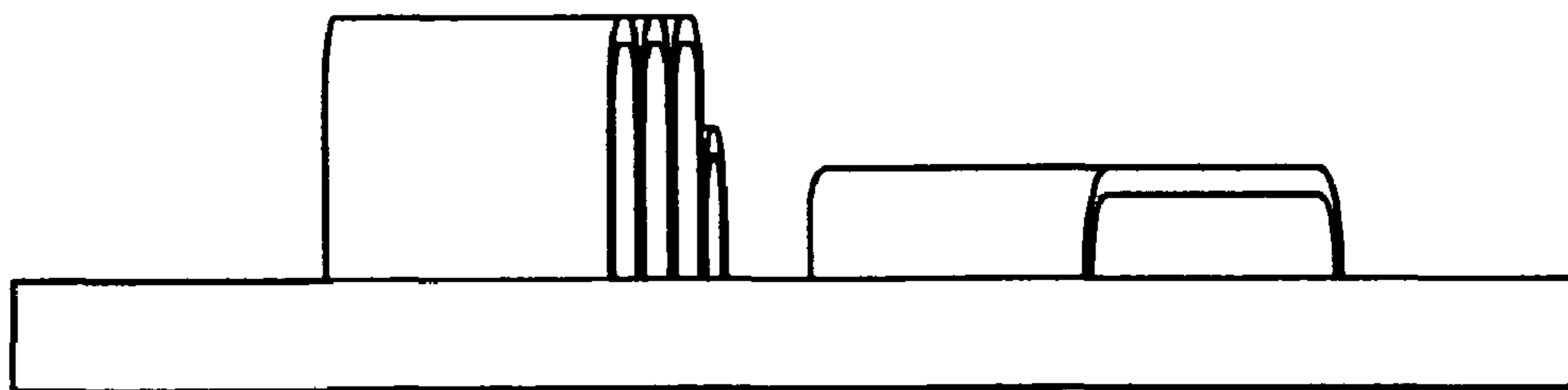


FIG. 3

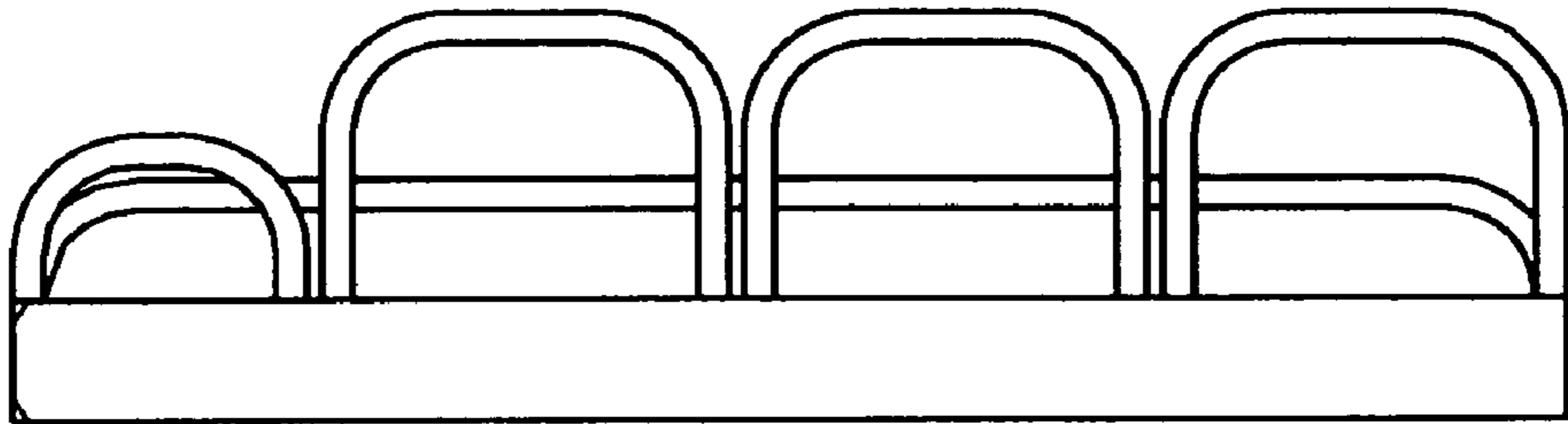


FIG. 4

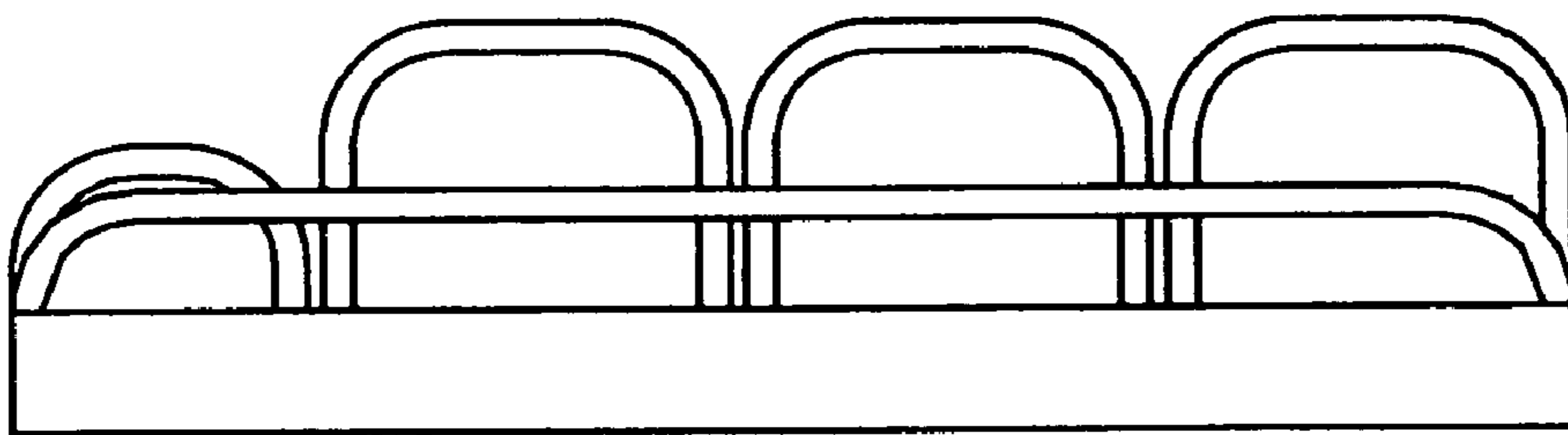


FIG. 5

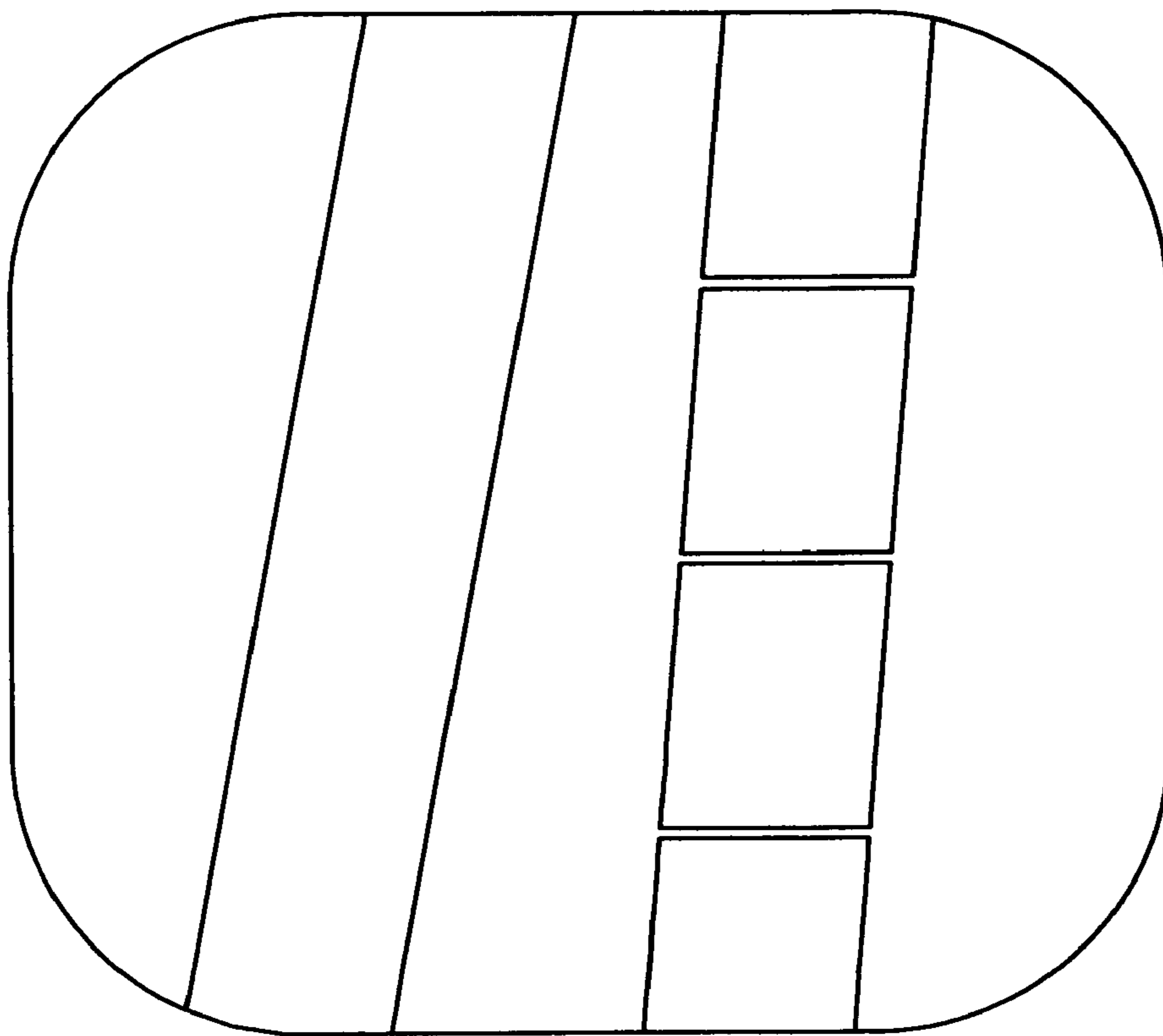


FIG. 6

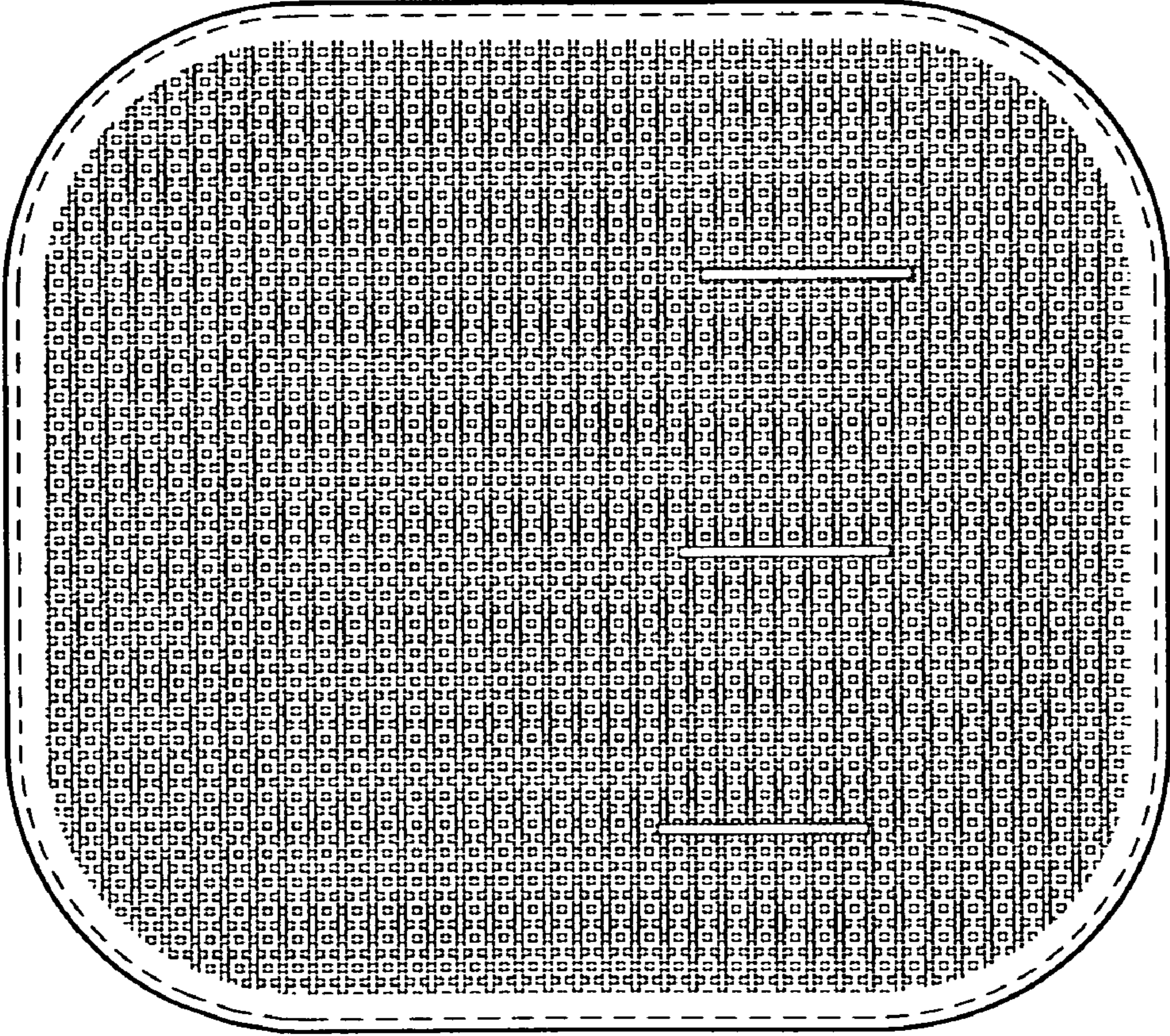


FIG. 7