



US00D654126S

(12) **United States Design Patent**
Eckermann

(10) **Patent No.:** **US D654,126 S**

(45) **Date of Patent:** **** Feb. 14, 2012**

(54) **CHEST EXERCISE DEVICE**

(75) **Inventor:** **Bronte Paul Eckermann**, Semaphore South (AU)

(73) **Assignee:** **XON Systems Limited**, Douglas, Isle of Man (GB)

(**) **Term:** **14 Years**

(21) **Appl. No.:** **29/370,647**

(22) **Filed:** **Aug. 16, 2010**

(30) **Foreign Application Priority Data**

Feb. 16, 2010 (EM) 001670472

(51) **LOC (9) Cl.** **21-02**

(52) **U.S. Cl.** **D21/692; D21/684**

(58) **Field of Classification Search** D21/662,
D21/684, 692-694; 482/44, 49, 82, 109,
482/112, 114, 118, 119, 121, 126, 128, 139,
482/141; D8/61, 303; D12/179
See application file for complete search history.

(56) **References Cited**

U.S. PATENT DOCUMENTS

4,262,898	A *	4/1981	Lee	482/49
D264,737	S *	6/1982	Cooper	D21/684
4,374,588	A *	2/1983	Ruggles	482/118
D286,034	S *	10/1986	Giorgetti	D12/179
4,623,141	A *	11/1986	Salvino	482/49
4,753,434	A *	6/1988	Salvino	482/49
5,060,934	A *	10/1991	Winston	482/49
5,360,385	A *	11/1994	Wang	482/49
D358,857	S *	5/1995	Yang	D21/684
5,529,551	A *	6/1996	Chin	482/49
5,599,256	A *	2/1997	Hughes, Jr.	482/49
5,833,580	A *	11/1998	Chiu	482/49
D418,561	S *	1/2000	Cousins	D21/684

6,063,006	A *	5/2000	Chiu	482/49
D460,505	S *	7/2002	Yang	D21/684
6,786,849	B1 *	9/2004	Faulconer	482/44
D505,169	S *	5/2005	Kuo	D21/684
D521,086	S *	5/2006	Faulconer	D21/684
7,077,787	B1 *	7/2006	Wiesman	482/49
D561,850	S *	2/2008	Yang	D21/684
D562,661	S *	2/2008	Weems et al.	D8/61
7,789,815	B2 *	9/2010	An	482/126
D626,188	S *	10/2010	Bisson	D21/684
7,824,311	B1 *	11/2010	Hsu	482/49
D634,796	S *	3/2011	Batiste et al.	D21/684
2011/0136634	A1 *	6/2011	Batiste et al.	482/127

* cited by examiner

Primary Examiner — Susan E Krakower

(74) *Attorney, Agent, or Firm* — Lawrence G. Fridman

(57) **CLAIM**

The ornamental design for a chest exercise device, as shown and described.

DESCRIPTION

FIG. 1 is a front elevational view of the chest exercise device according to my new design;

FIG. 2 is a top plan view thereof

FIG. 3 is a side elevational view thereof;

FIG. 4 is a bottom plan view thereof;

FIG. 5 is a perspective top view thereof;

FIG. 6 is a perspective bottom view thereof;

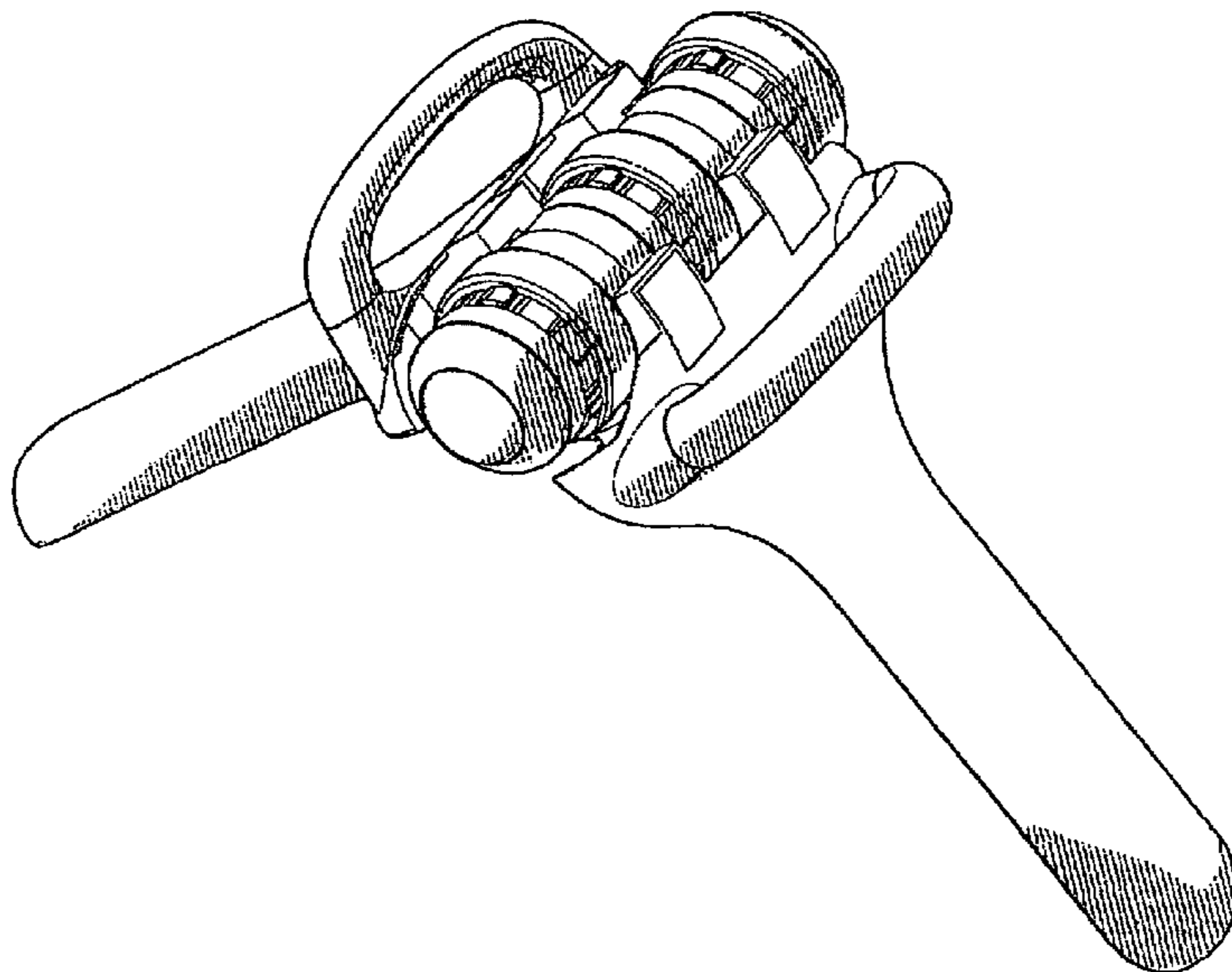
FIG. 7 is a perspective view of the chest exercise device in a semi-opened position; and,

FIG. 8 is a perspective view of the chest exercise device in a closed position.

The ribs illustrated in the bottom views of FIGS. 4 and 6 form no part of the design.

The broken lines illustrate the boundary of the claim and form no part of the claimed design.

1 Claim, 8 Drawing Sheets



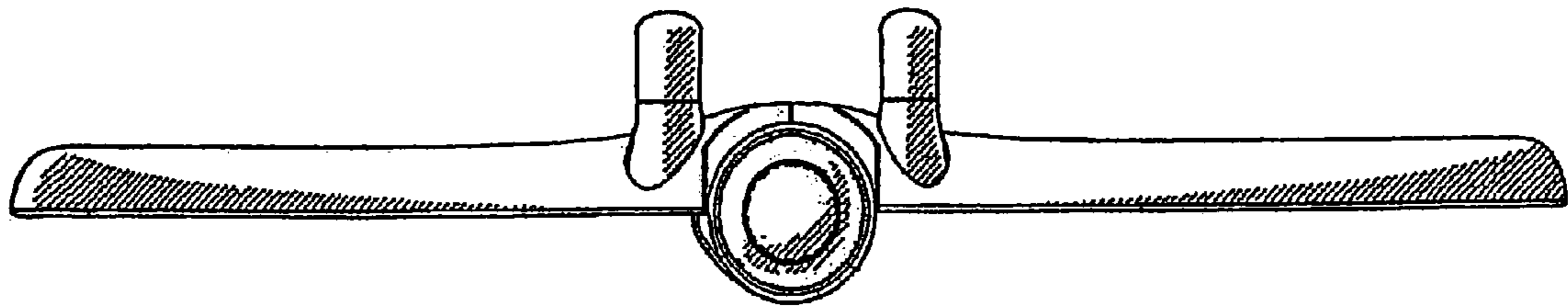


FIGURE 1

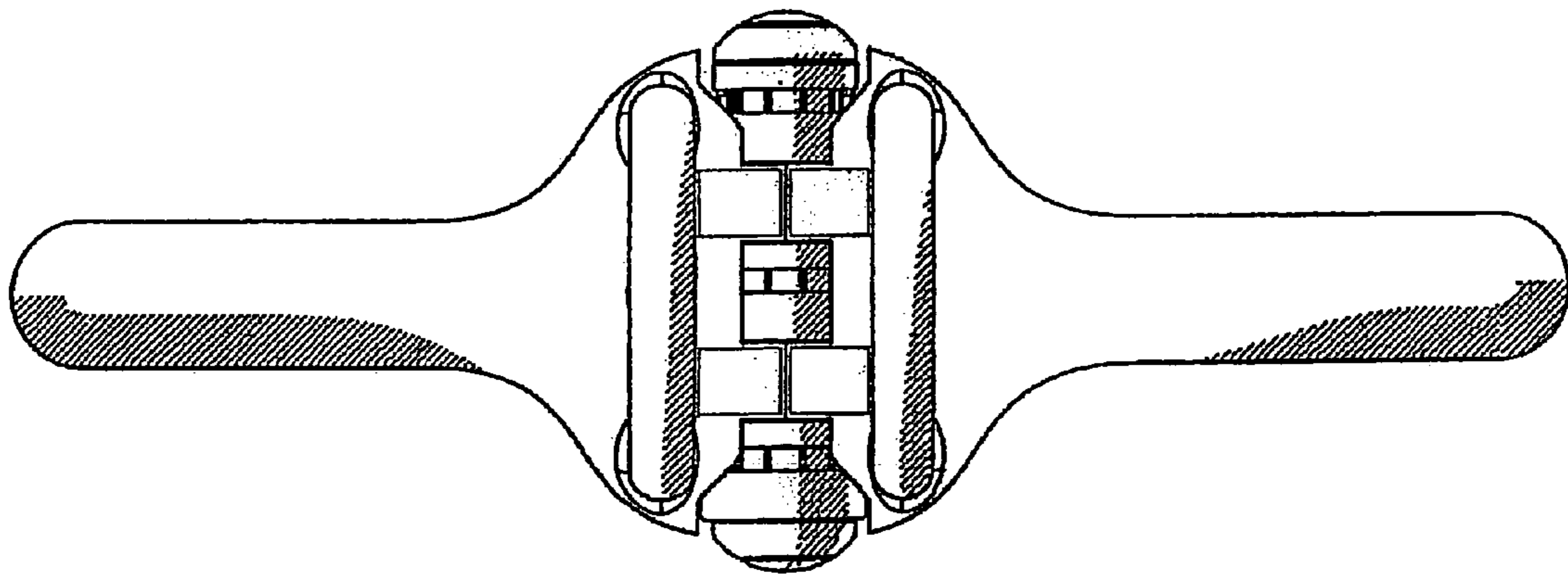


FIGURE 2

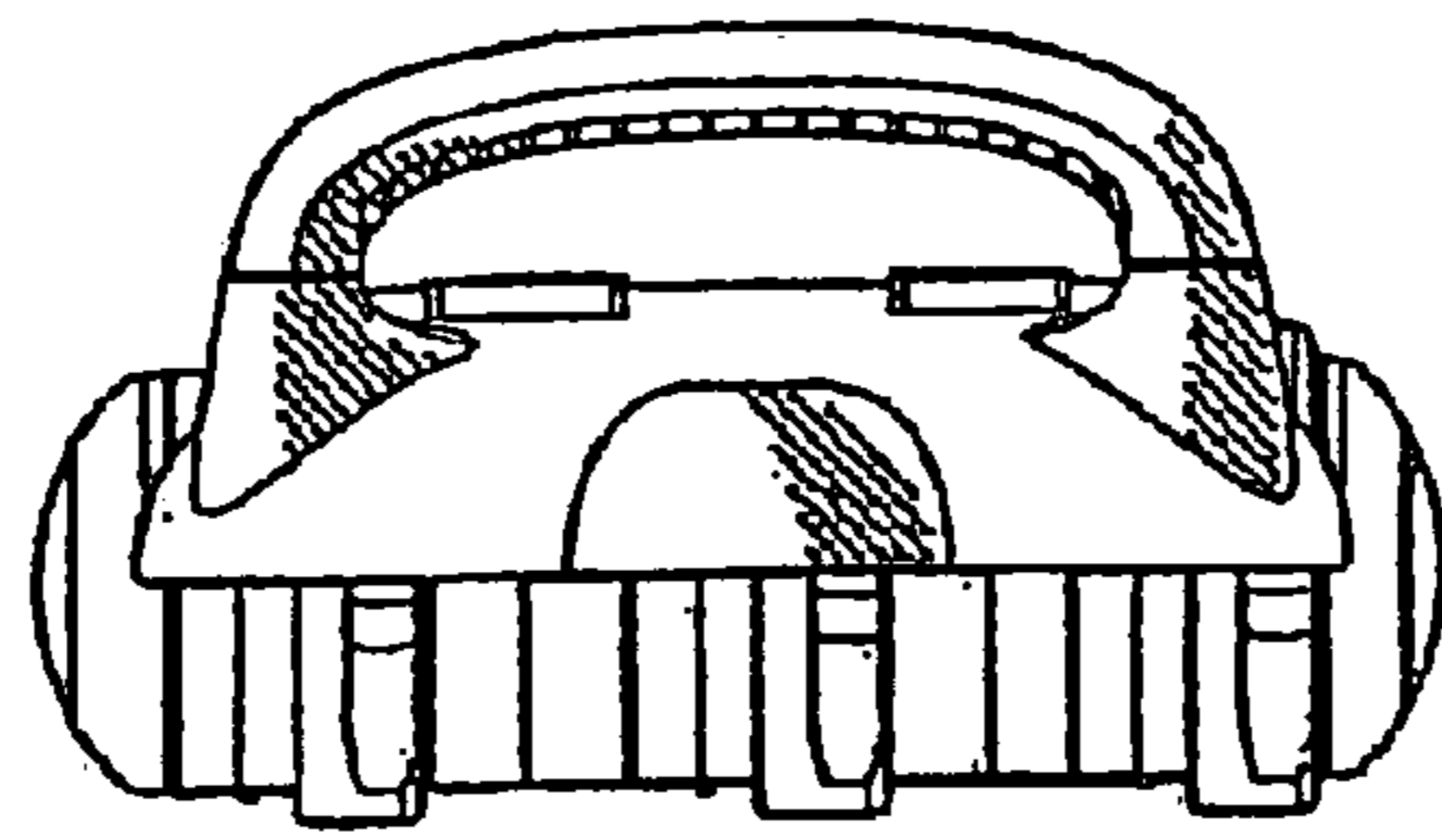


FIGURE 3

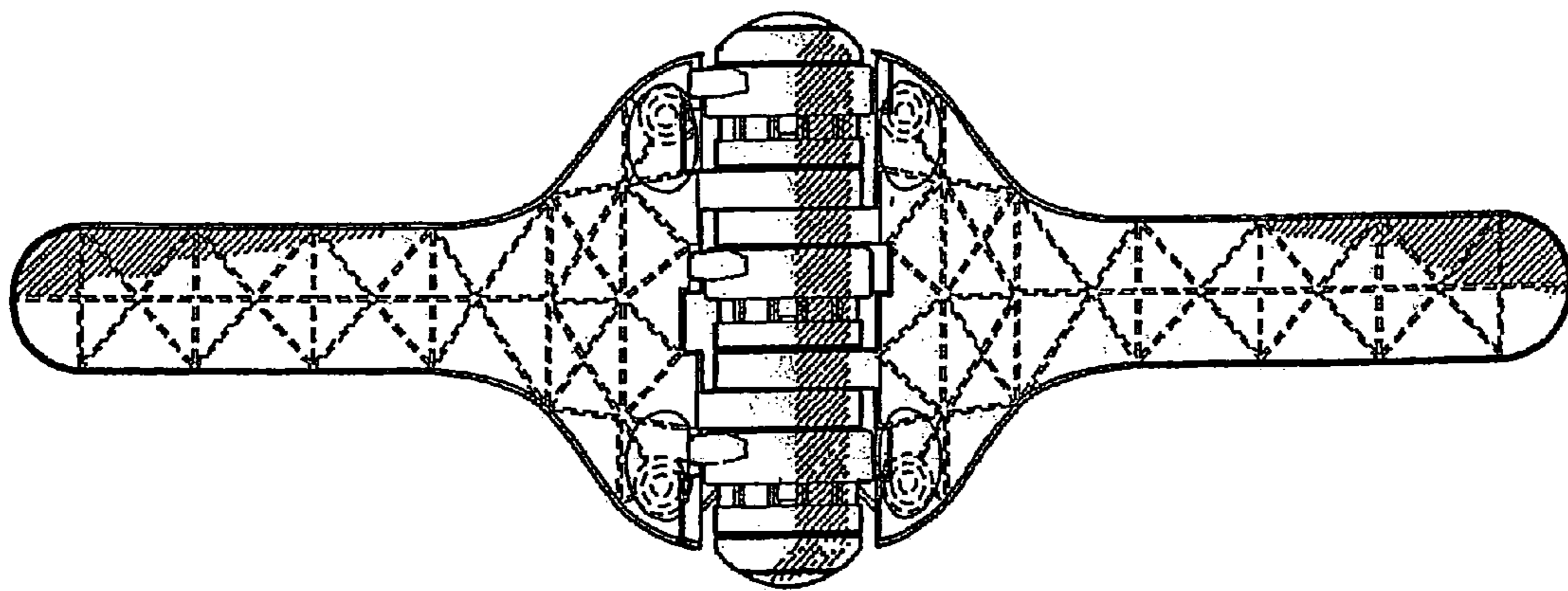


FIGURE 4

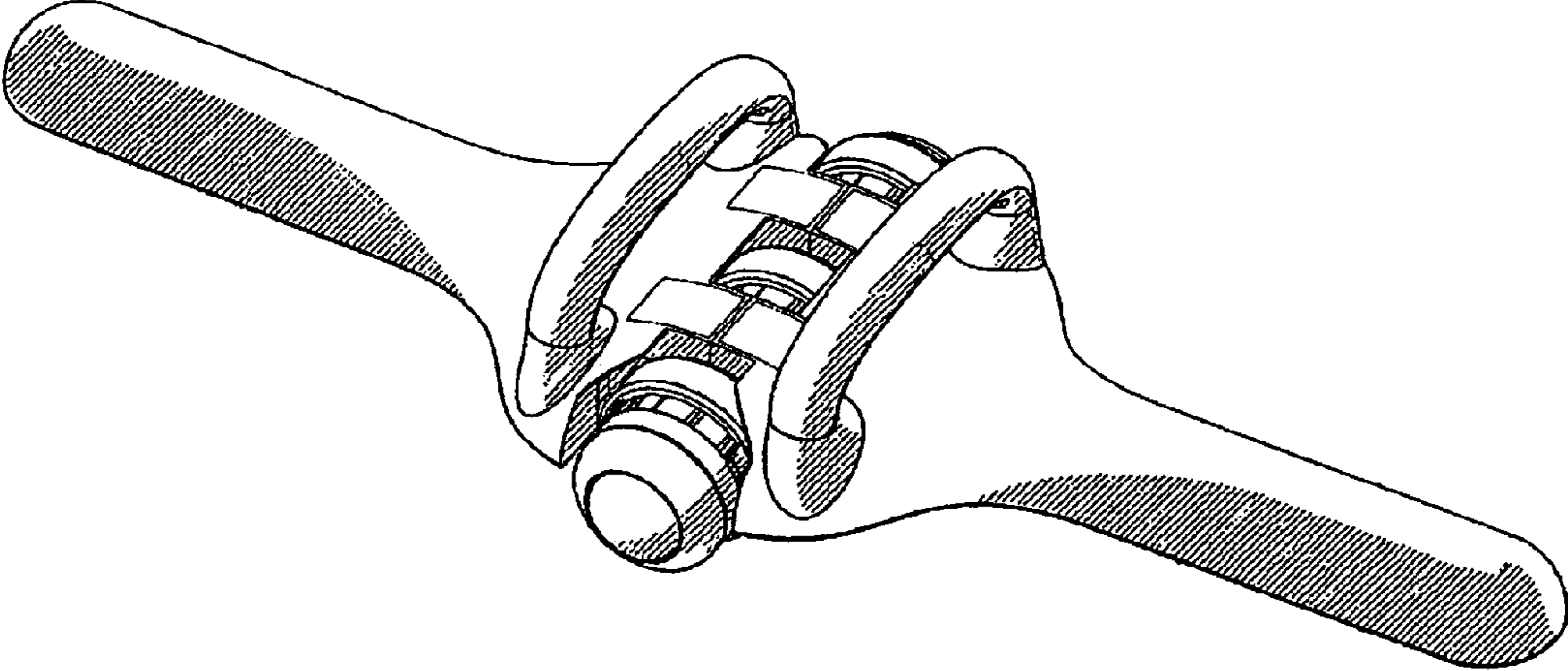


FIGURE 5

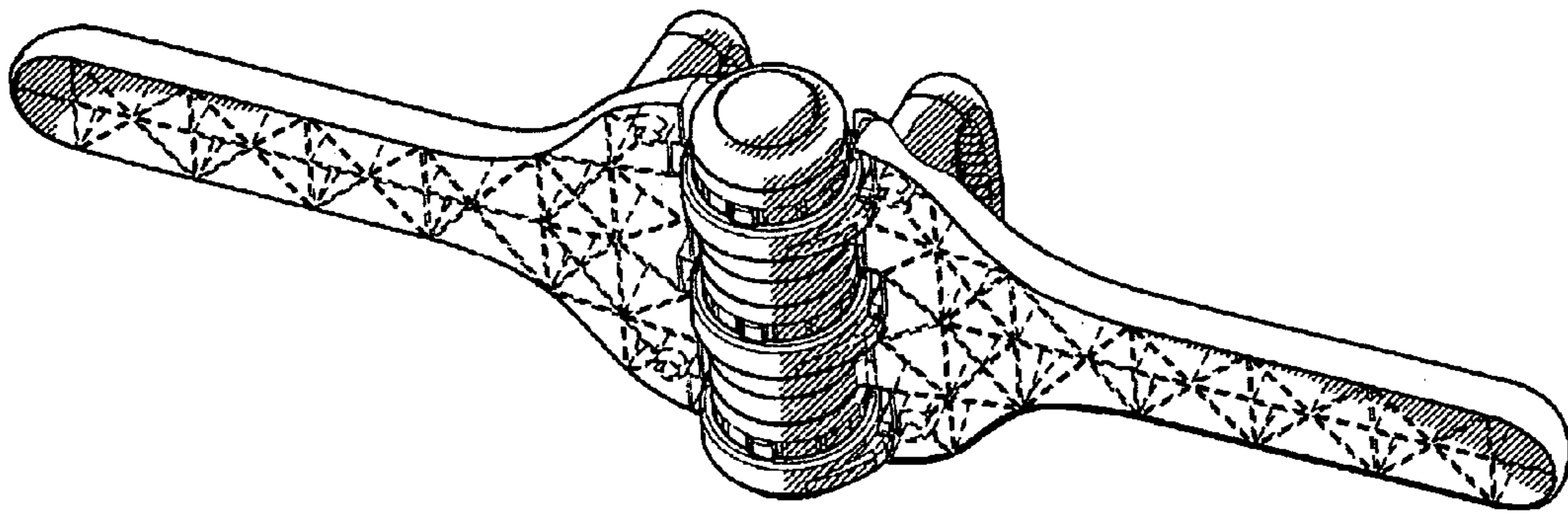


FIGURE 6

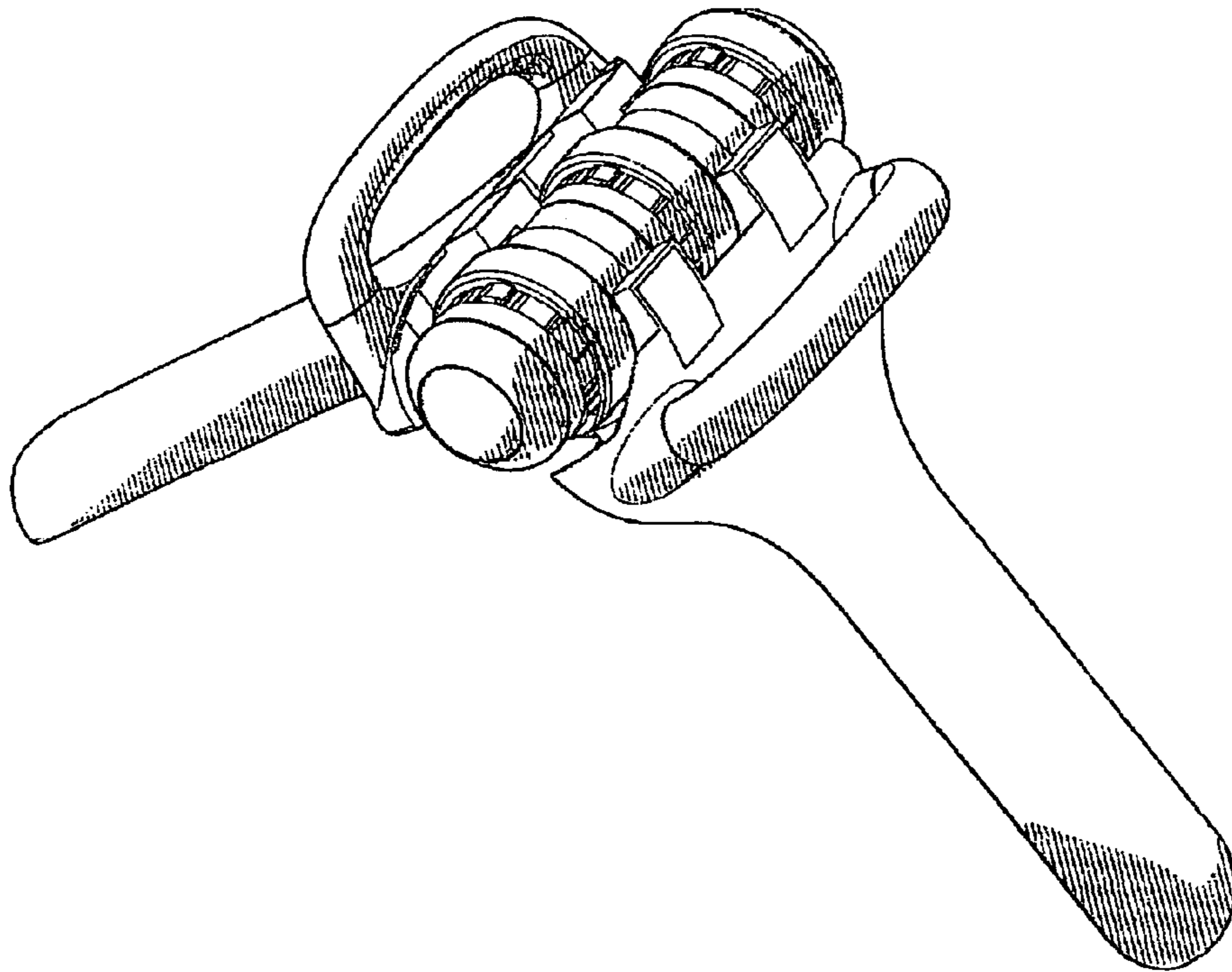


FIGURE 7

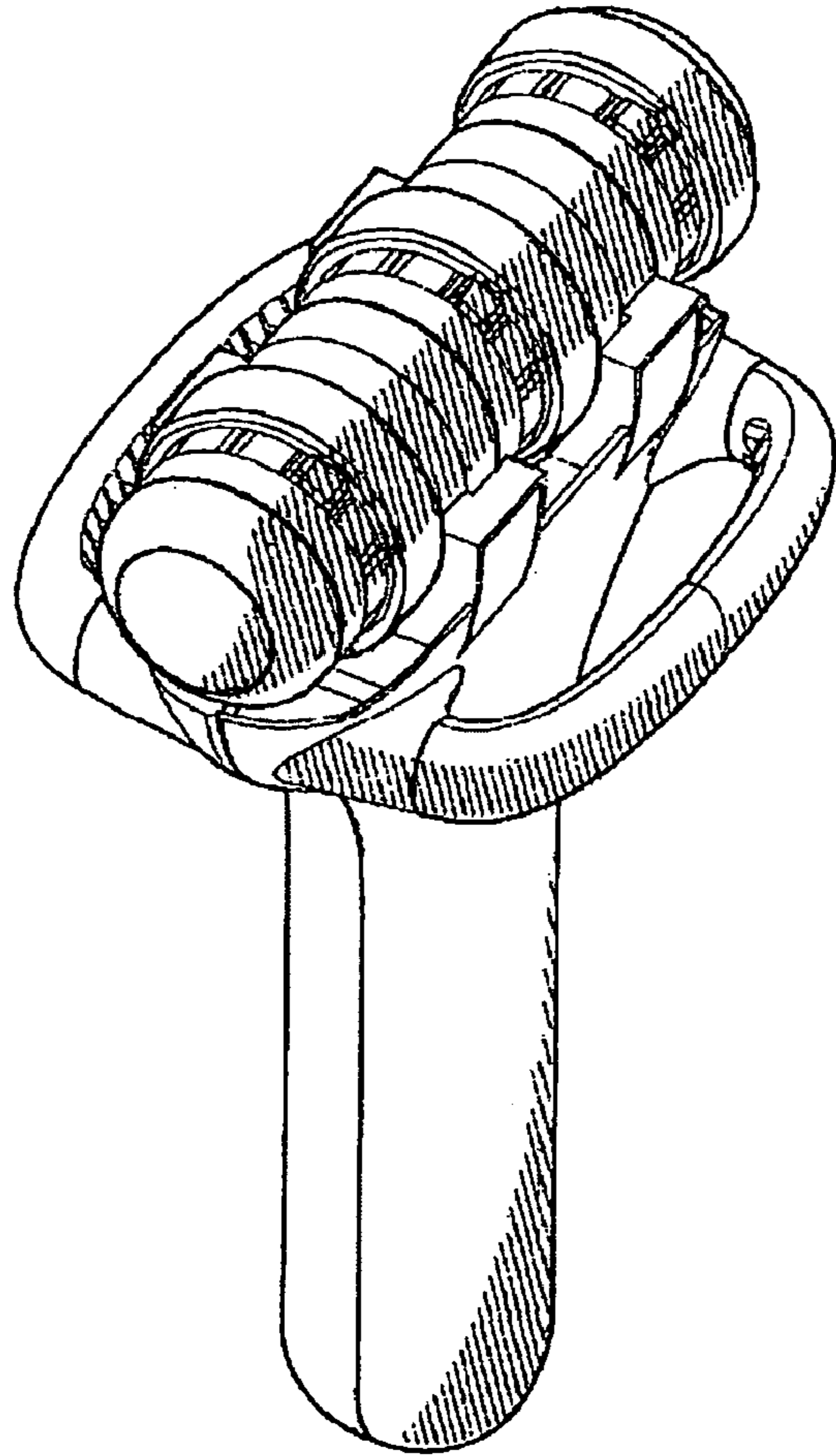


FIGURE 8