



US00D654125S

(12) **United States Design Patent**
van der Meer et al.

(10) **Patent No.:** **US D654,125 S**
(45) **Date of Patent:** **** Feb. 14, 2012**

(54) **EXERCISE APPARATUS**

FOREIGN PATENT DOCUMENTS

(75) Inventors: **Augustinus Leonardus Nicolaas van der Meer**, Hoofddorp (NL); **Jelte Tijmen Tempelaars**, Hoofddorp (NL); **Tom Schreuder**, Wassenaar (NL)

DE	M9306054	1/1994
DE	102004063495 B3	4/2006
EM	000047584-0001	10/2003
FR	970686	6/1997
GB	2033012	2/1993
JP	D1338528	7/2008
RU	72274	9/2009
WO	W02006069988 A1	7/2006
WO	W02010005286 A1	1/2010

(73) Assignee: **Power Plate North America, Inc.**, Irvine, CA (US)

(**) Term: **14 Years**

OTHER PUBLICATIONS

Russian Sports Magazine www.sportmaster.ru dated Aug. 15, 2006.

(21) Appl. No.: **29/368,828**

* cited by examiner

(22) Filed: **Aug. 30, 2010**

(51) **LOC (9) Cl.** **21-02**

Primary Examiner — Susan E Krakower

(52) **U.S. Cl.** **D21/667**

(74) *Attorney, Agent, or Firm* — Levenfeld Pearlstein, LLC

(58) **Field of Classification Search** D21/662–670, D21/694, 697; 482/51–52, 57–65; 280/266, 280/282, 284, 288.1, 288.3, 304.4, 835; D12/111
See application file for complete search history.

(57) **CLAIM**

The ornamental design for an exercise apparatus, as shown and described.

(56) **References Cited**

U.S. PATENT DOCUMENTS

DESCRIPTION

D210,958 S *	5/1968	Westborg	D21/667
D262,302 S *	12/1981	Disbrow et al.	D21/667
D299,370 S *	1/1989	McNeil	D21/667
D307,614 S *	5/1990	Bingham et al.	D21/667
D308,235 S *	5/1990	Meisner	D21/667
D309,485 S *	7/1990	Bingham et al.	D21/667
D325,410 S *	4/1992	Chen	D21/667
D343,659 S *	1/1994	Kiiski	D21/667
D356,840 S	3/1995	Huang		
D382,924 S *	8/1997	Wu	D21/667
D430,240 S *	8/2000	Chang	D21/667
D473,602 S *	4/2003	Baudhuin et al.	D21/697
D579,989 S *	11/2008	Bingham et al.	D21/667
D586,409 S *	2/2009	Keiser	D21/667
2004/0176218 A1	9/2004	Fan		

FIG. 1 is a front perspective view of the exercise apparatus showing our new design;
FIG. 2 is a side view thereof as seen from the left-hand side of FIG. 1;
FIG. 3 is a side view thereof as seen from the right-hand side of FIG. 1;
FIG. 4 is a front view thereof;
FIG. 5 is a rear view thereof;
FIG. 6 is a top view thereof; and,
FIG. 7 is a bottom view thereof.

1 Claim, 4 Drawing Sheets

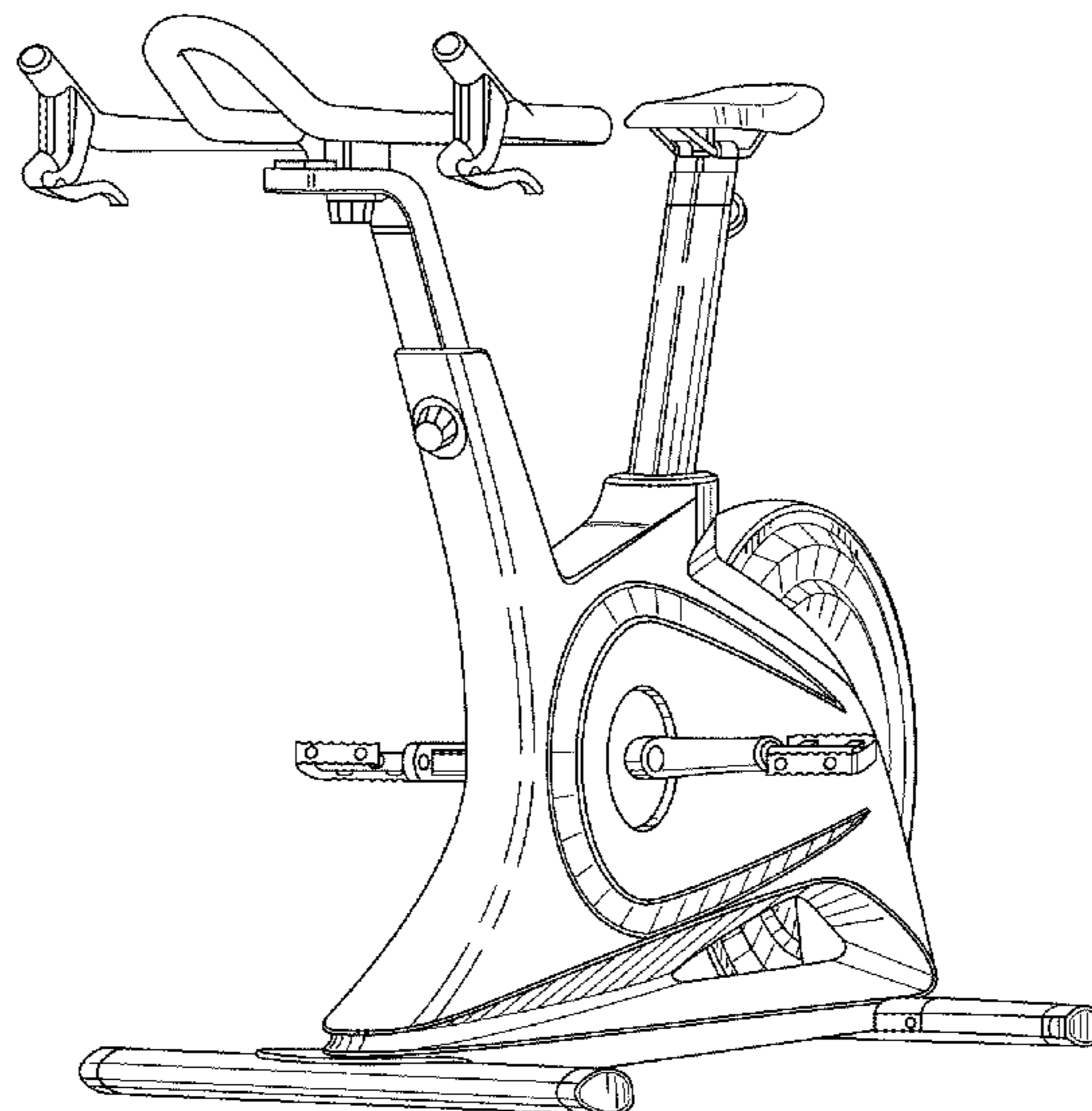


Fig. 1

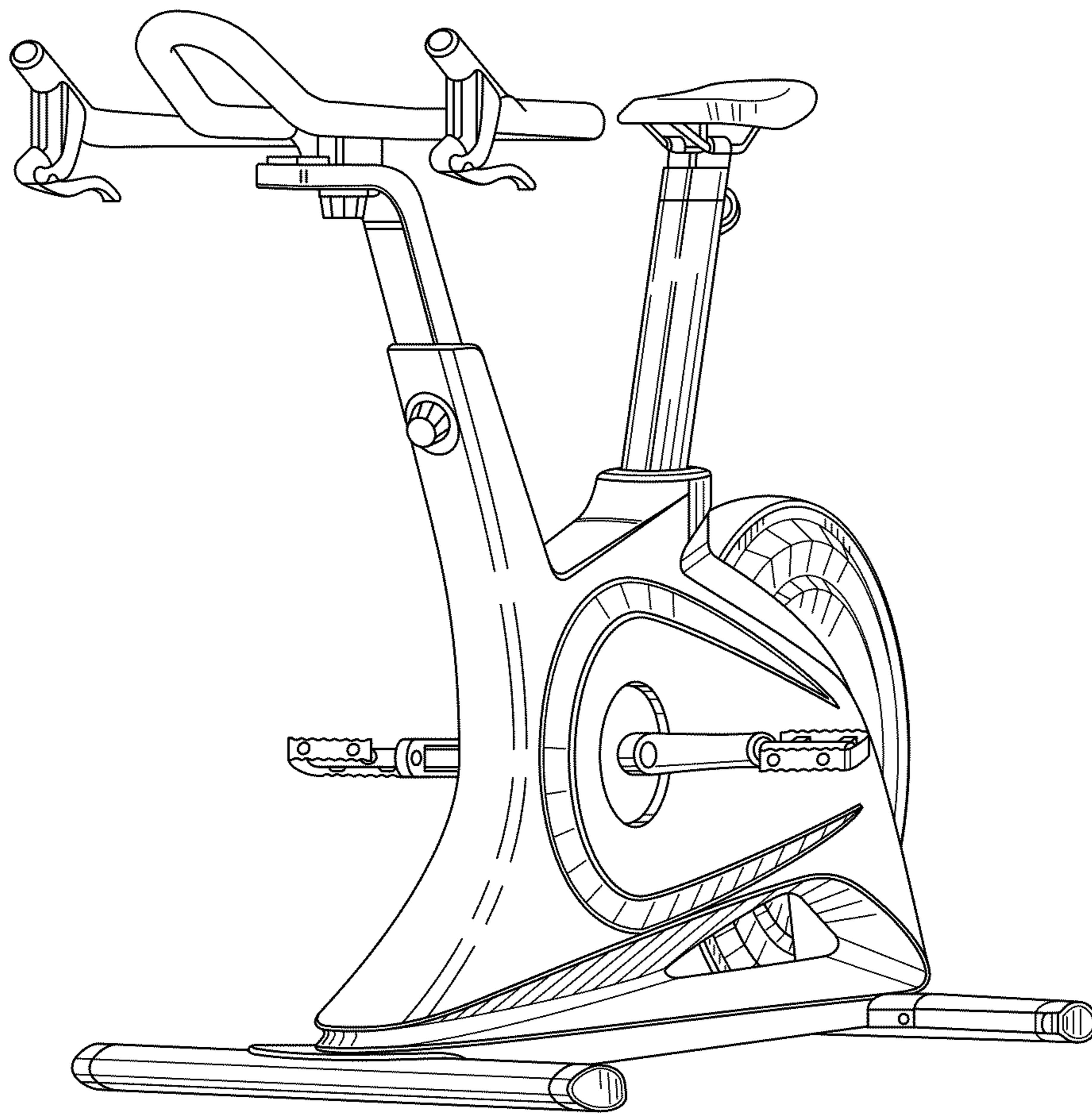


Fig. 2

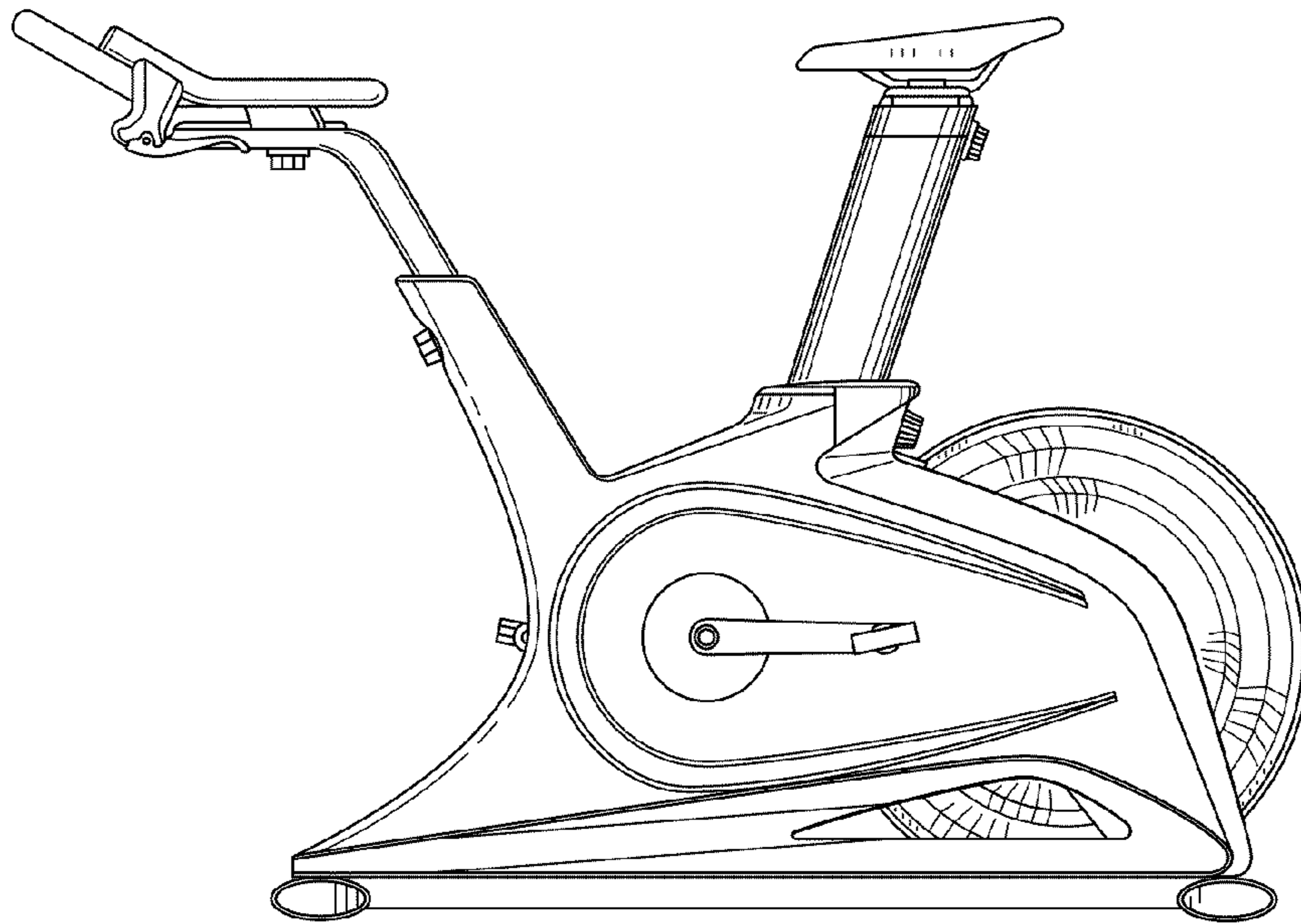


Fig. 3

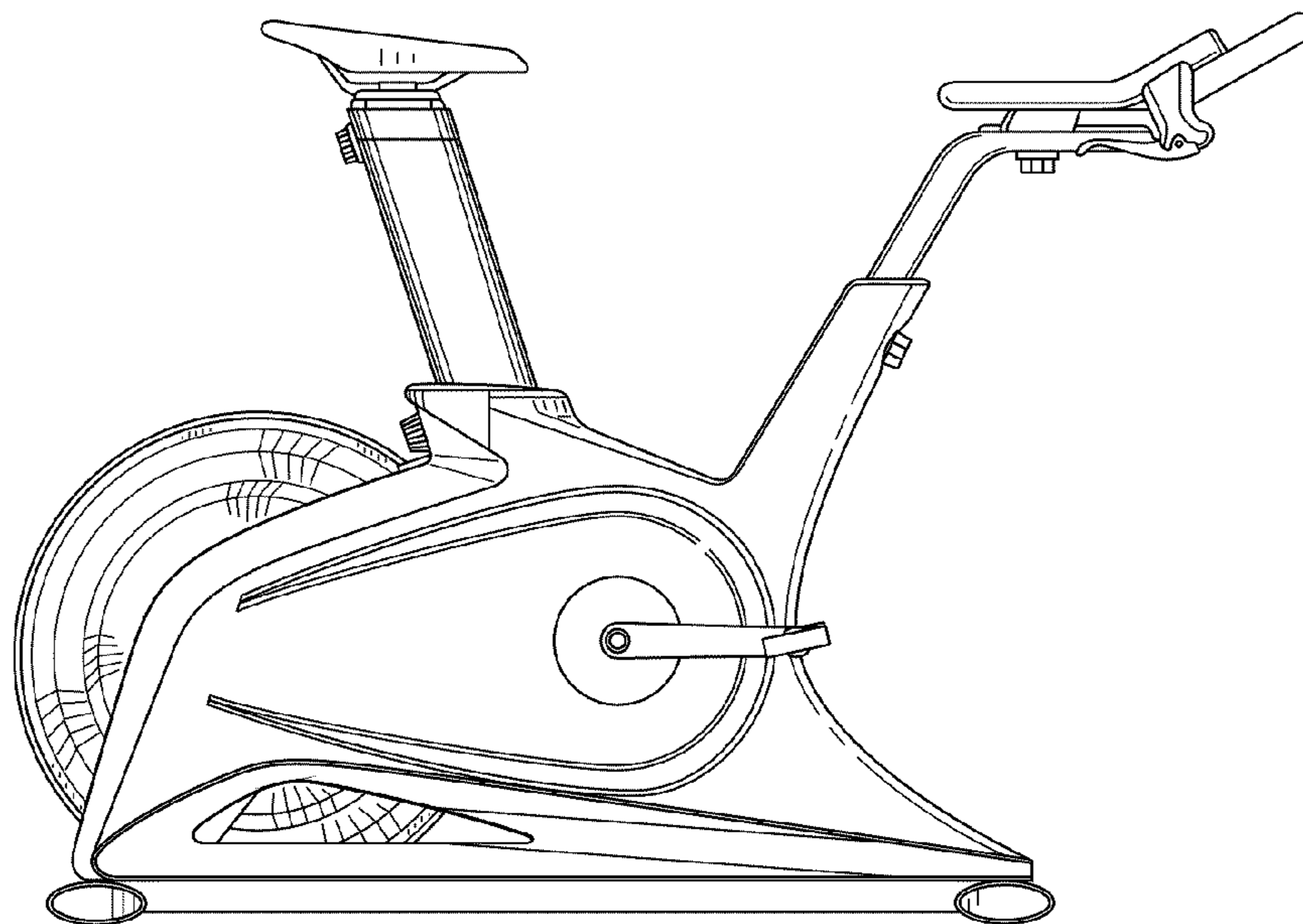


Fig. 4

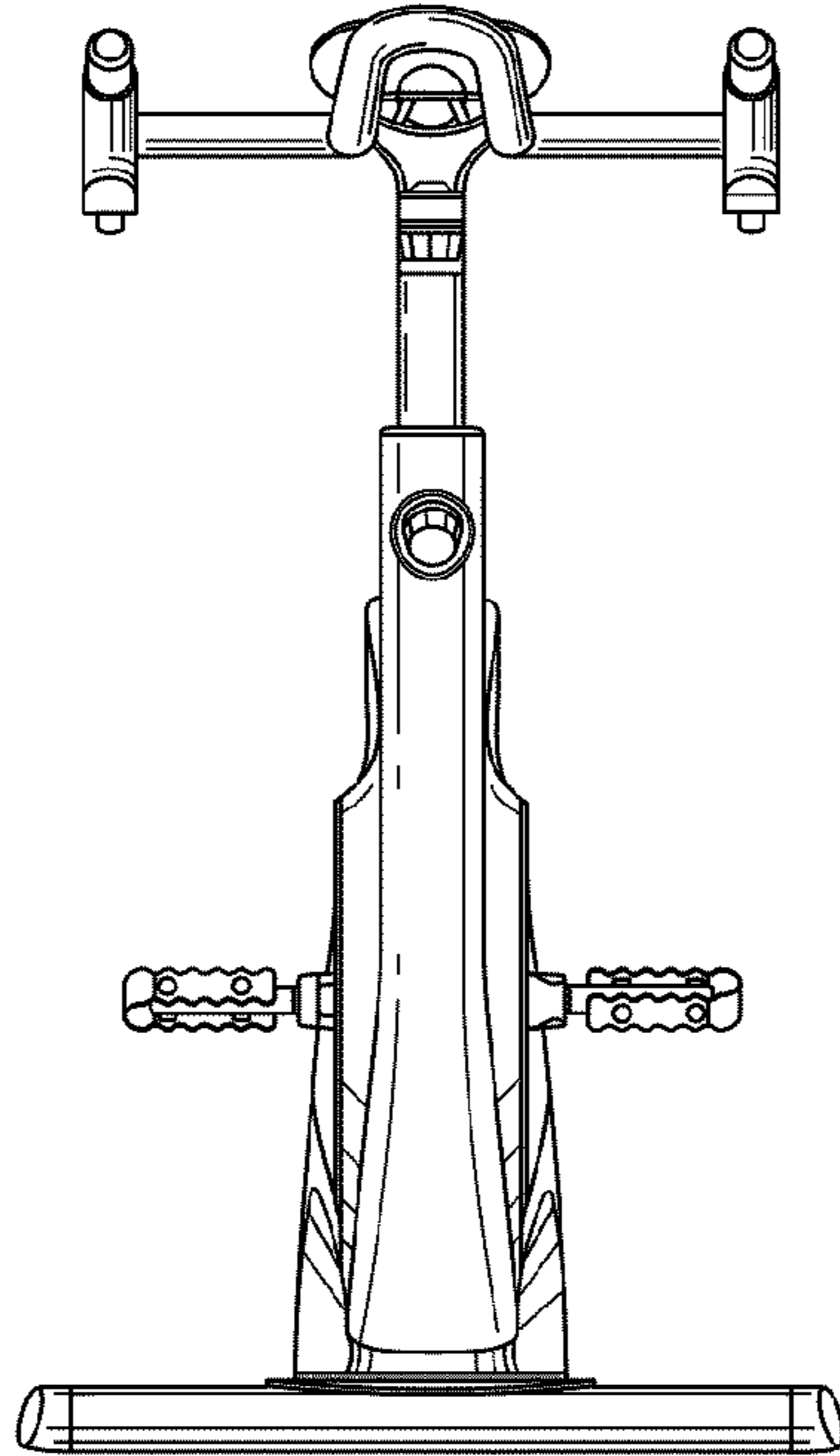


Fig. 5

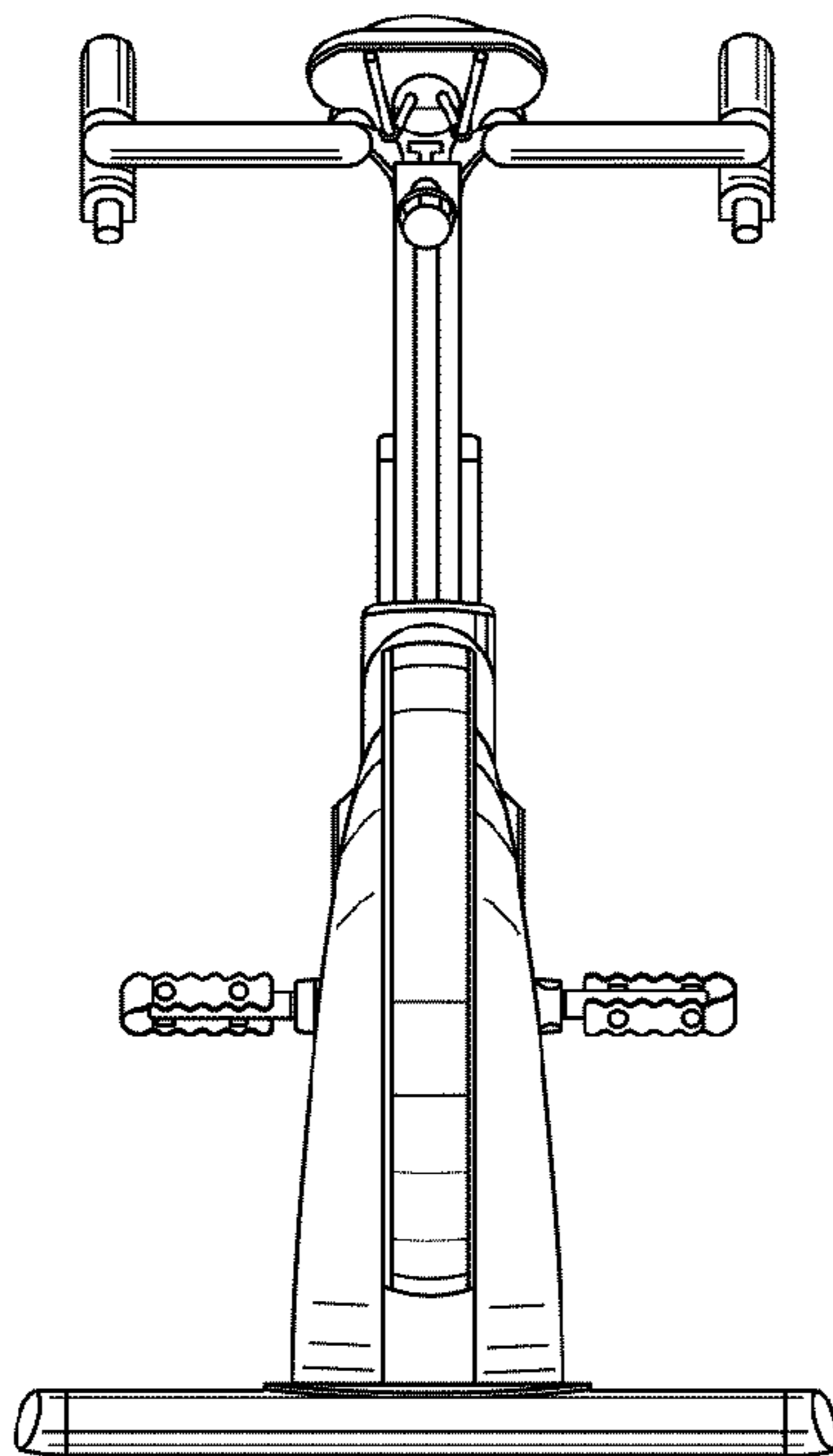


Fig. 6

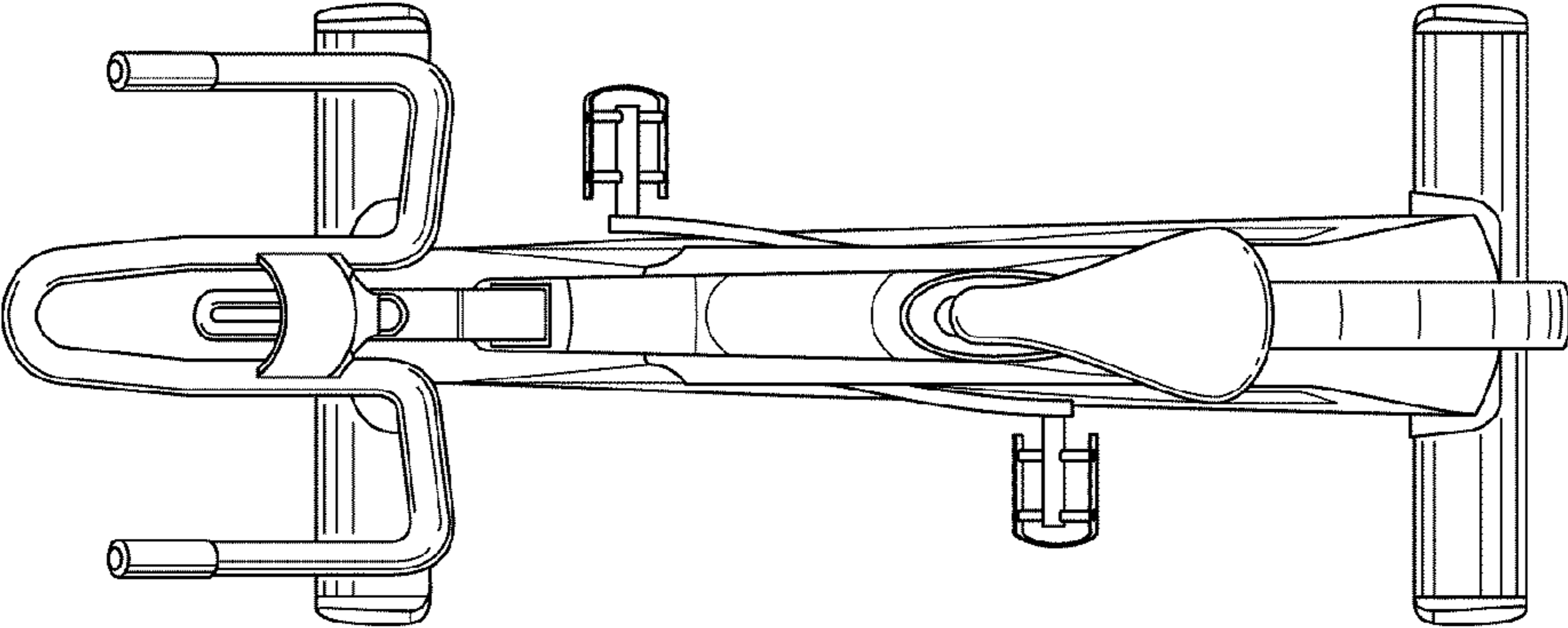
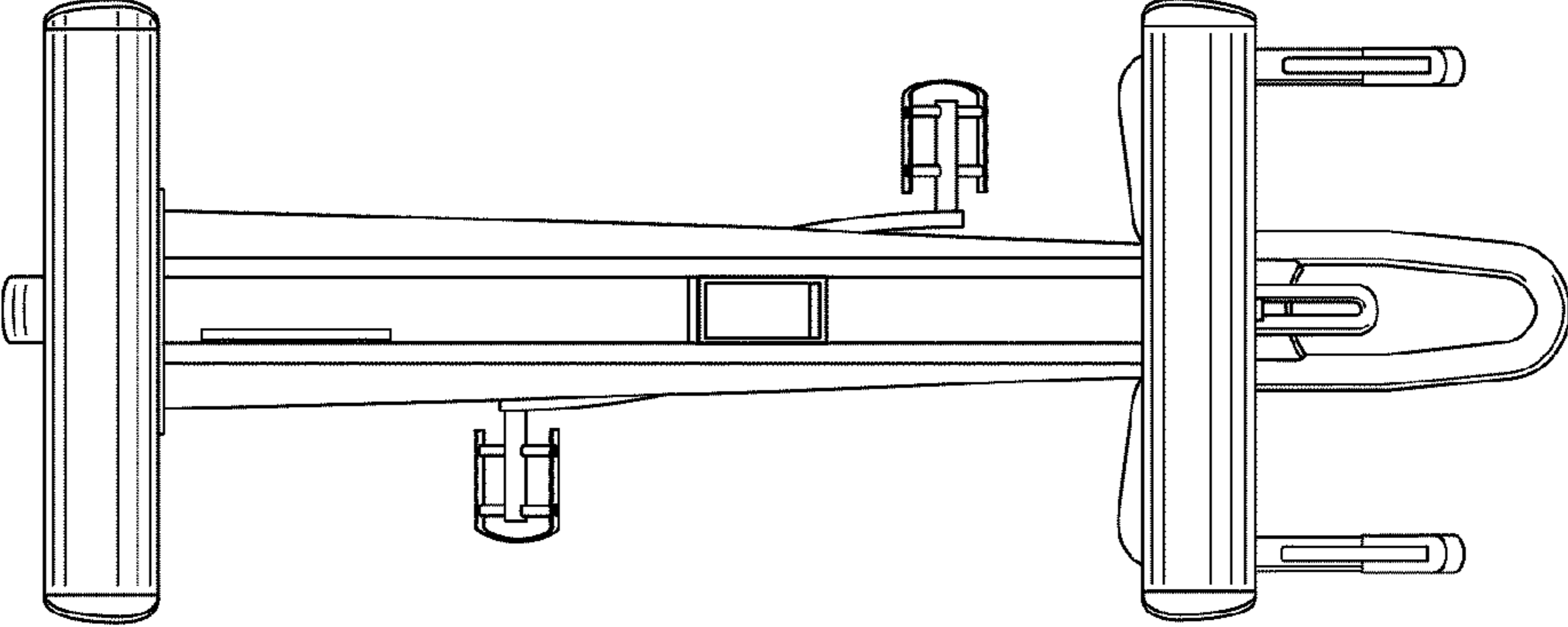


Fig. 7



UNITED STATES PATENT AND TRADEMARK OFFICE
CERTIFICATE OF CORRECTION

PATENT NO. : D654,125 S
APPLICATION NO. : 29/368828
DATED : February 14, 2012
INVENTOR(S) : Augustinus Leonardus Nicolaas van der Meer et al.

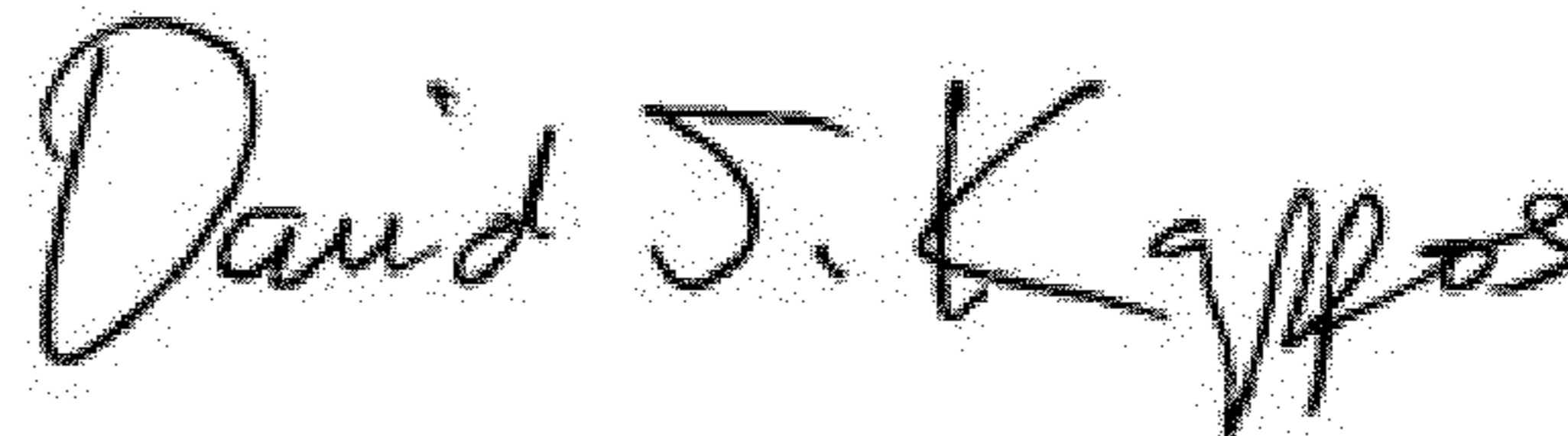
Page 1 of 1

It is certified that error appears in the above-identified patent and that said Letters Patent is hereby corrected as shown below:

On the title page, item [75]

In "Inventors" the name "Augustinus Leonardus Nicolaaas van der Meer" should read "Augustinus Leonardus Nicolaas van der Meer".

Signed and Sealed this
Twenty-ninth Day of May, 2012

A handwritten signature in black ink that reads "David J. Kappos". The signature is written in a cursive style with a large initial 'D' and 'K'.

David J. Kappos
Director of the United States Patent and Trademark Office