



US00D654121S

(12) **United States Design Patent**
Mimlitch, III et al.

(10) **Patent No.:** **US D654,121 S**
(45) **Date of Patent:** **** Feb. 14, 2012**

(54) **TOY TRACK WITH PLATFORM**

(75) Inventors: **Robert H. Mimlitch, III**, Rowlett, TX (US); **David Anthony Norman**, Greenville, TX (US); **Douglas Michael Galletti**, Allen, TX (US); **Joel Reagan Carter**, Argyle, TX (US); **Paul David Copioli**, Greenville, TX (US)

(73) Assignee: **Innovation First, Inc.**, Greenville, TX (US)

(**) Term: **14 Years**

(21) Appl. No.: **29/375,631**

(22) Filed: **Sep. 24, 2010**

(51) **LOC (9) Cl.** **21-01**

(52) **U.S. Cl.** **D21/565**

(58) **Field of Classification Search** D21/484,
D21/490, 493, 564, 565, 802, 818, 821;
446/168-174, 84, 89, 108, 112, 114, 116,
446/124-128, 429, 444-447; 463/58-69;
238/10 R, 10 A-10 C, 10 E, 10 F; 104/60,
104/69

See application file for complete search history.

(56) **References Cited**

U.S. PATENT DOCUMENTS

| | | | | |
|--------------|------|---------|---------------------|----------|
| 4,045,908 | A * | 9/1977 | Ensmann et al. | 446/441 |
| D306,466 | S * | 3/1990 | Elliott et al. | D21/564 |
| D344,554 | S * | 2/1994 | Ruszkai | D21/565 |
| D361,802 | S * | 8/1995 | Shiraishi | D21/564 |
| 2008/0173726 | A1 * | 7/2008 | Tezuka | 238/10 E |
| 2008/0265048 | A1 * | 10/2008 | O'Connor | 238/10 E |

* cited by examiner

Primary Examiner — Cynthia M Chin

(74) *Attorney, Agent, or Firm* — Fish & Richardson P.C.

(57) **CLAIM**

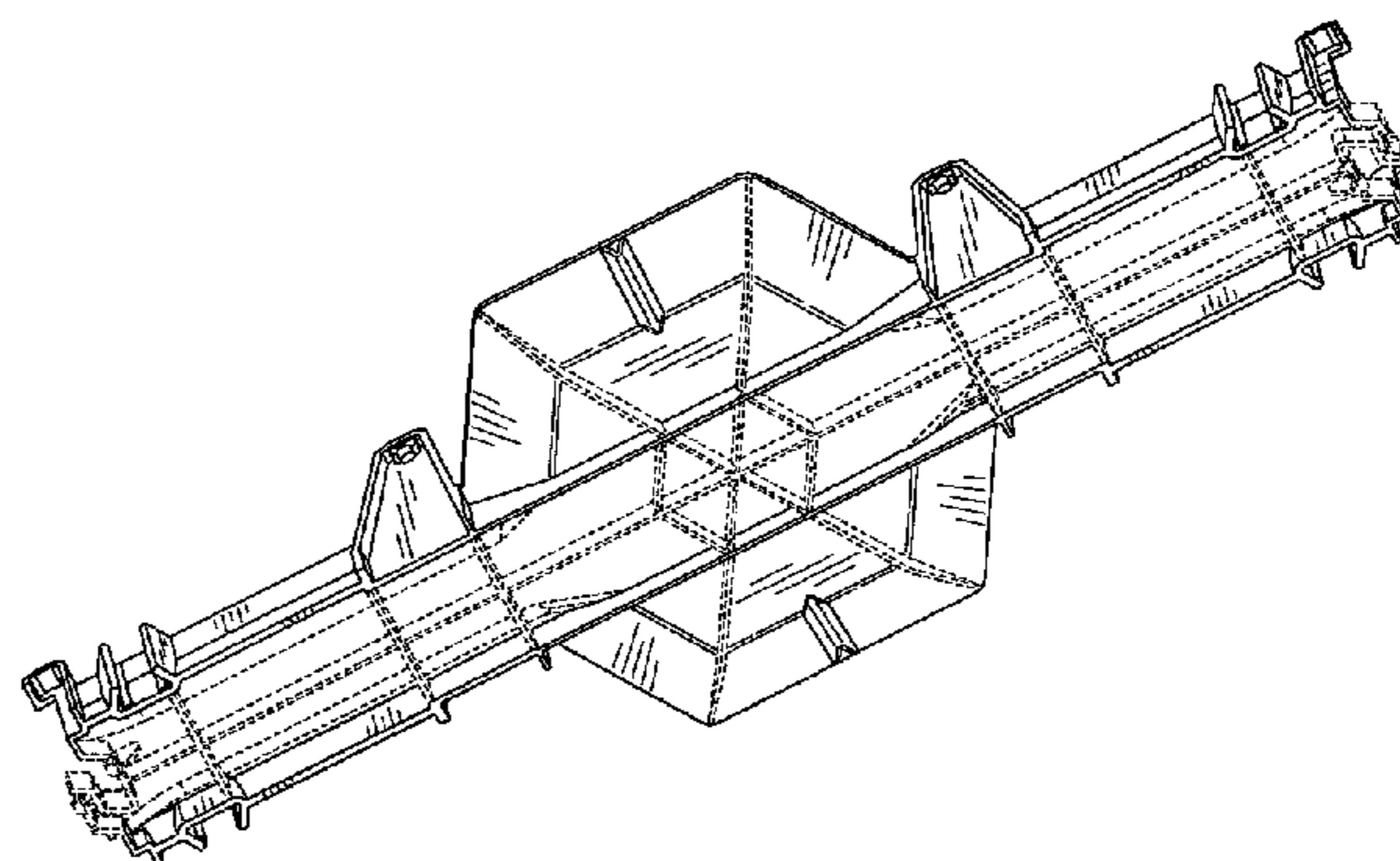
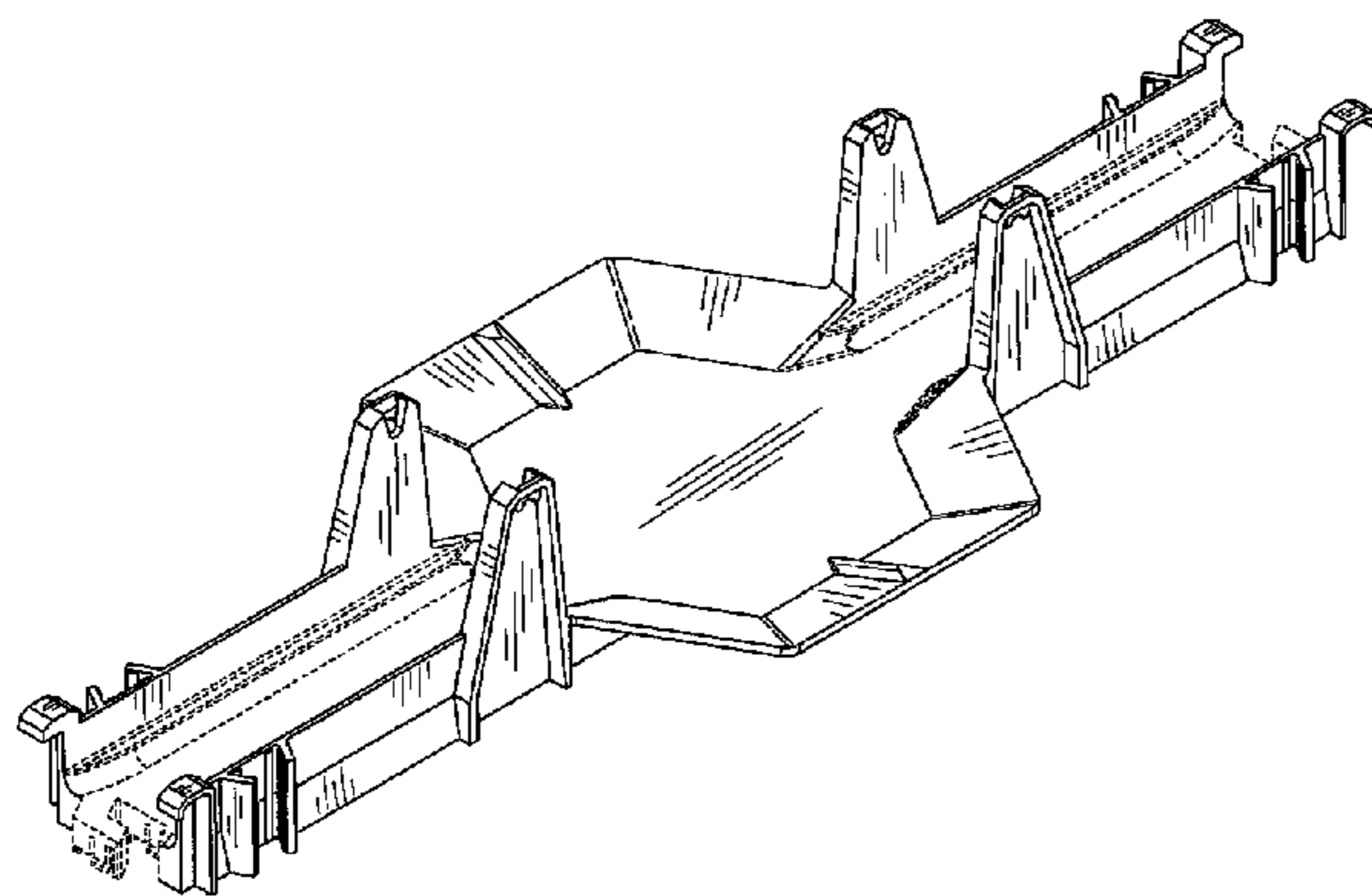
The ornamental design for a toy track with platform, as shown and described.

DESCRIPTION

FIG. 1 is a first perspective view of a toy track with platform showing the top, front, and right side views of my new design; FIG. 2 is a front side view thereof; FIG. 3 is a rear side view thereof; FIG. 4 is a left side view thereof; FIG. 5 is a right side view thereof; FIG. 6 is a top plan view thereof; FIG. 7 is a bottom plan view thereof; and, FIG. 8 is a second perspective view showing the bottom, rear, and right sides thereof.

The broken lines are for environmental purposes only and form no part of the claimed design.

1 Claim, 6 Drawing Sheets



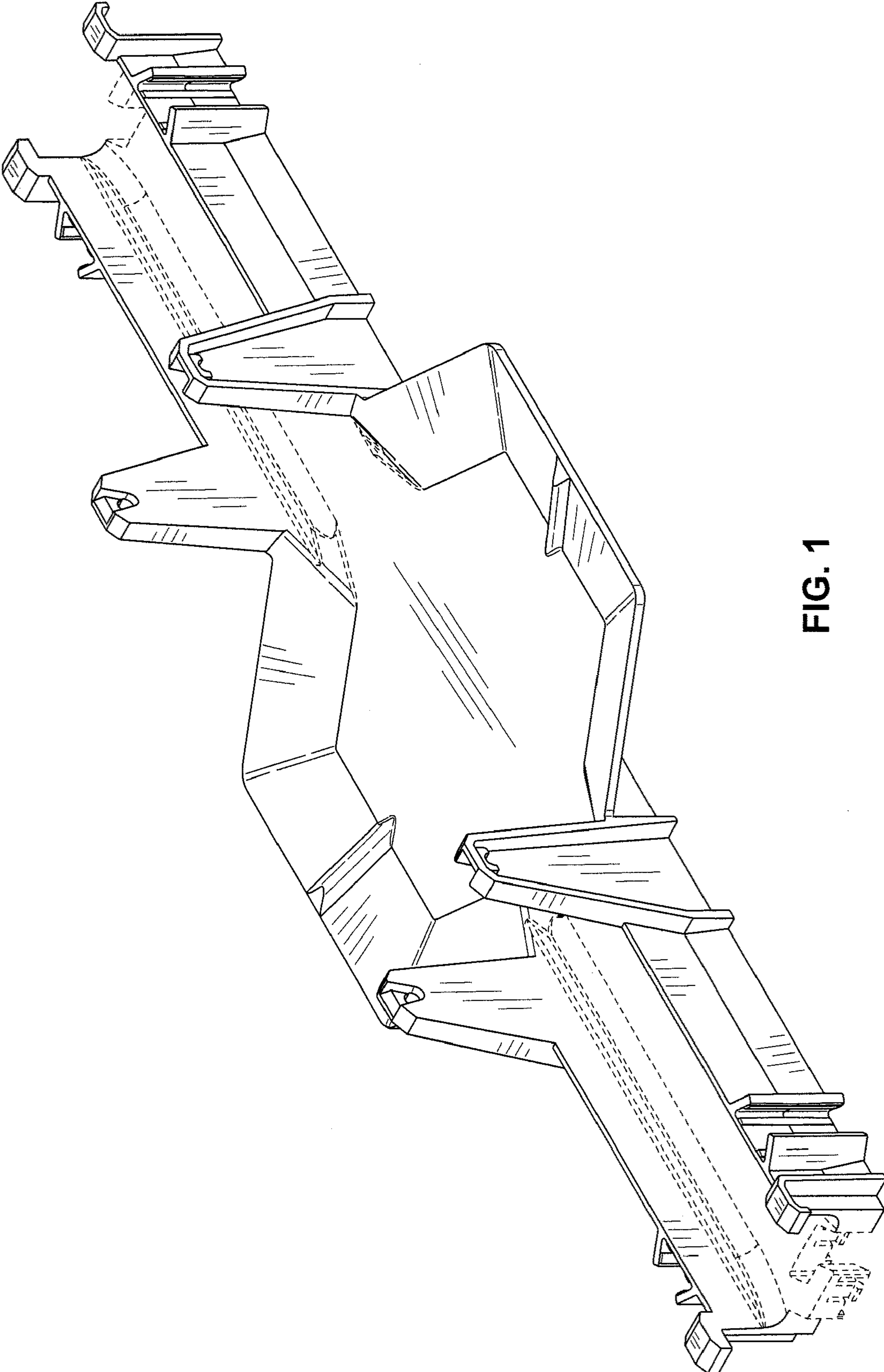


FIG. 1

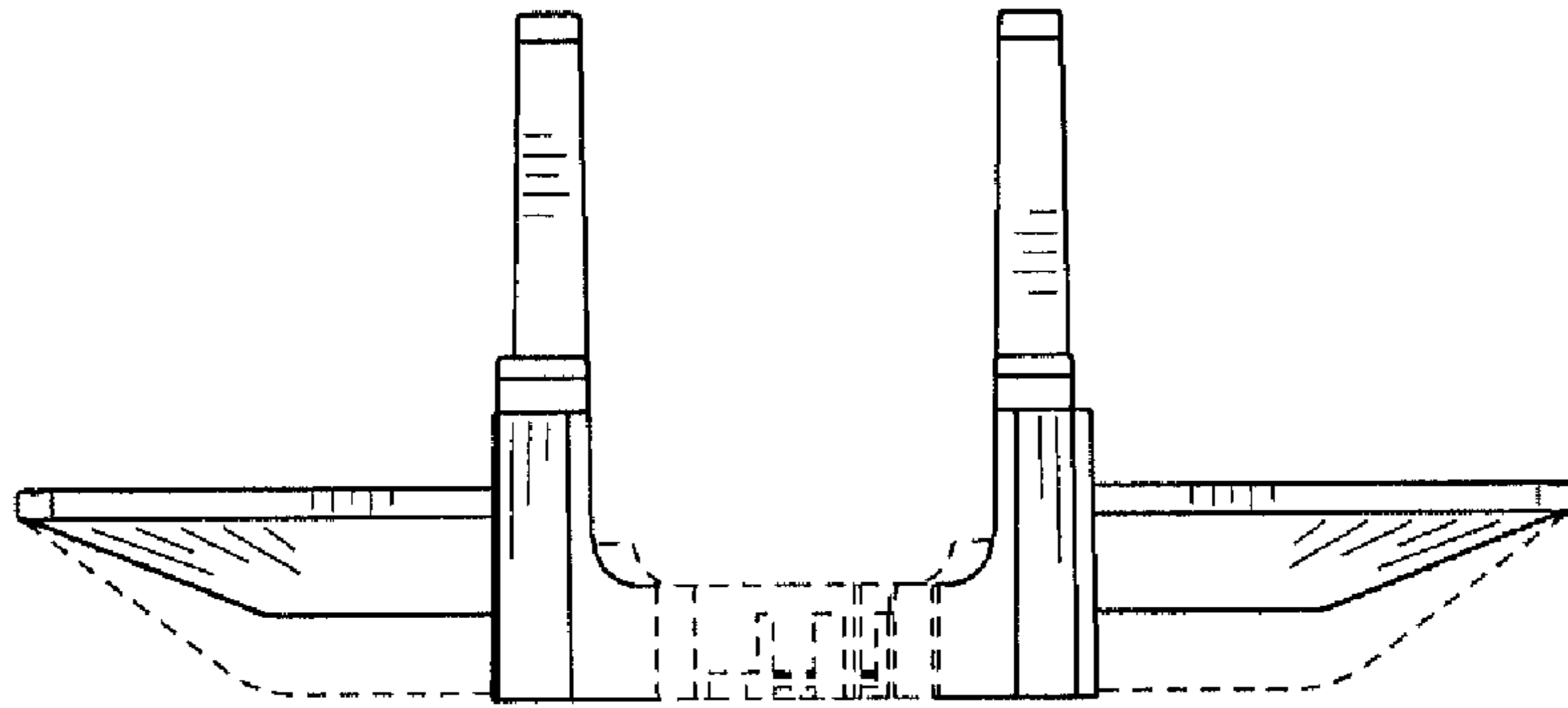


FIG. 2

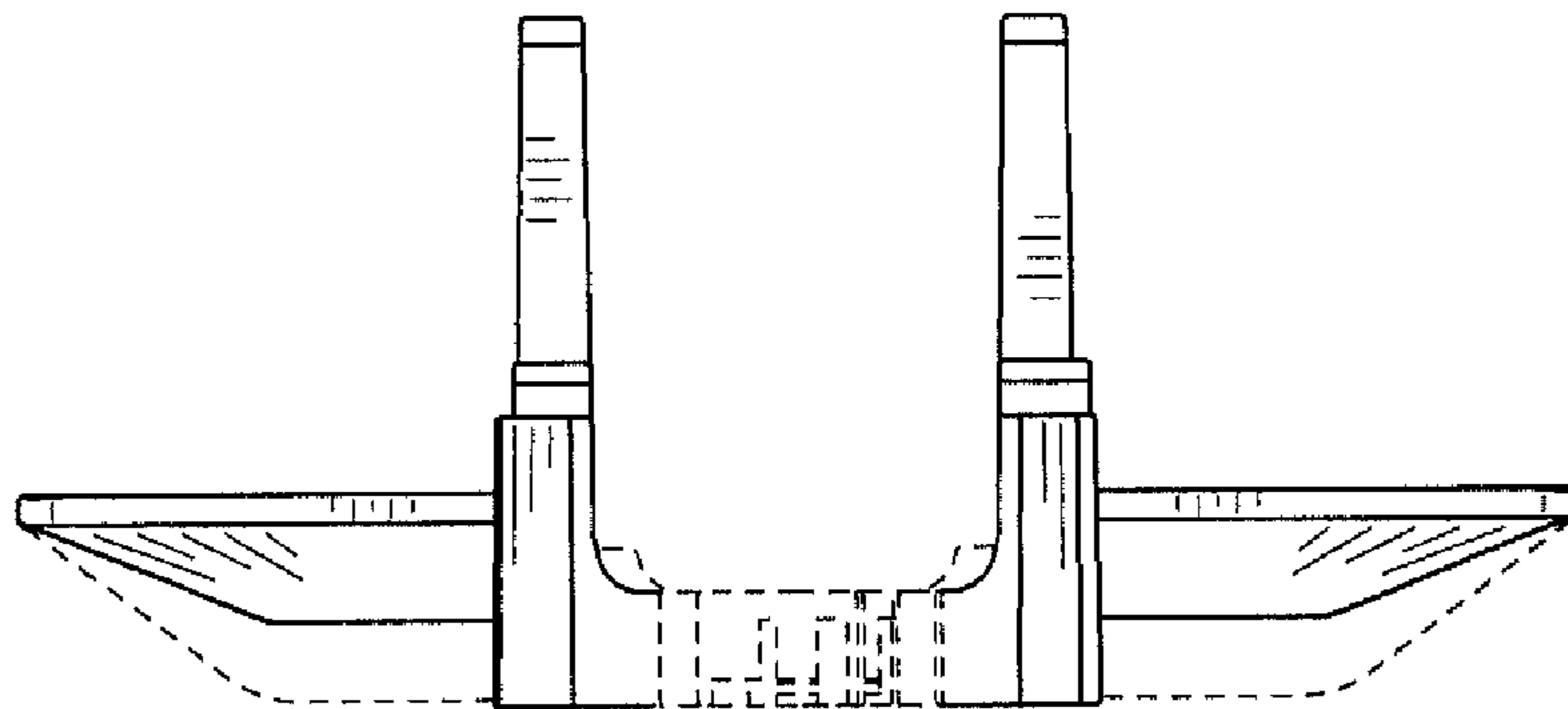


FIG. 3

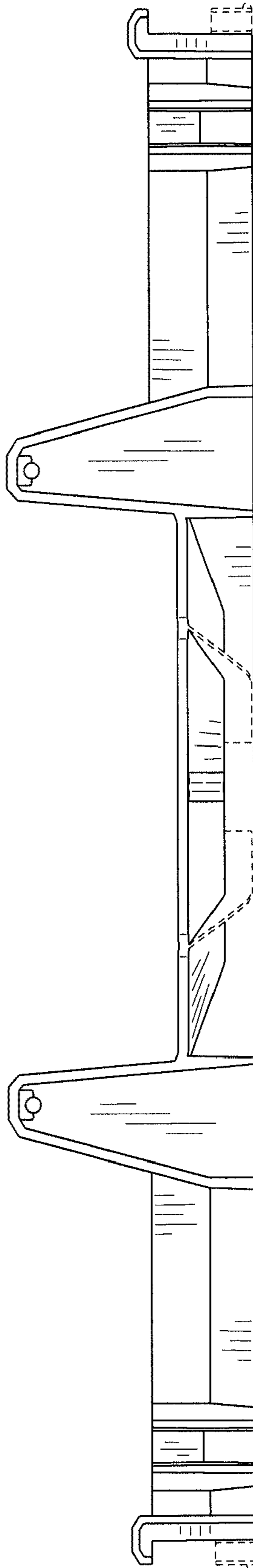


FIG. 4

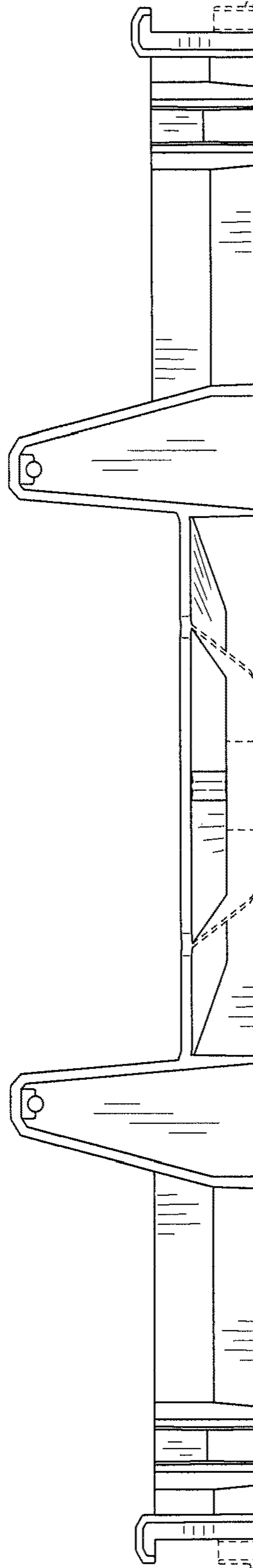


FIG. 5

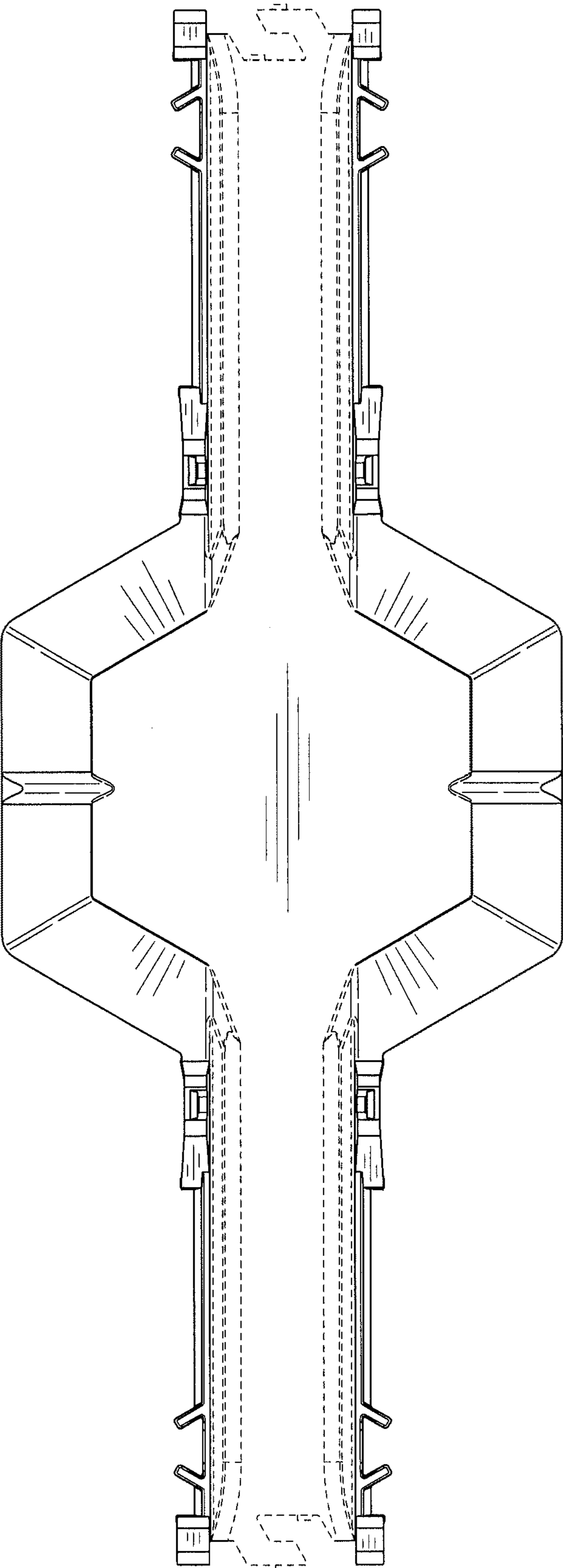


FIG. 6

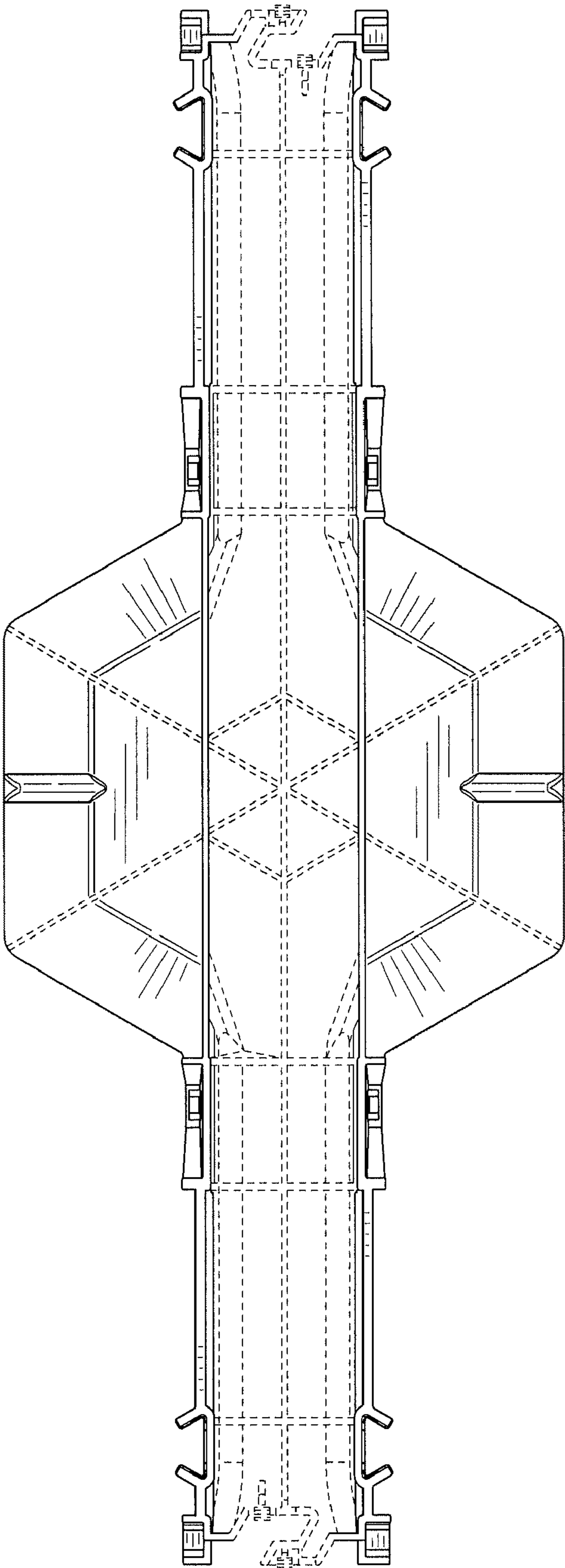


FIG. 7

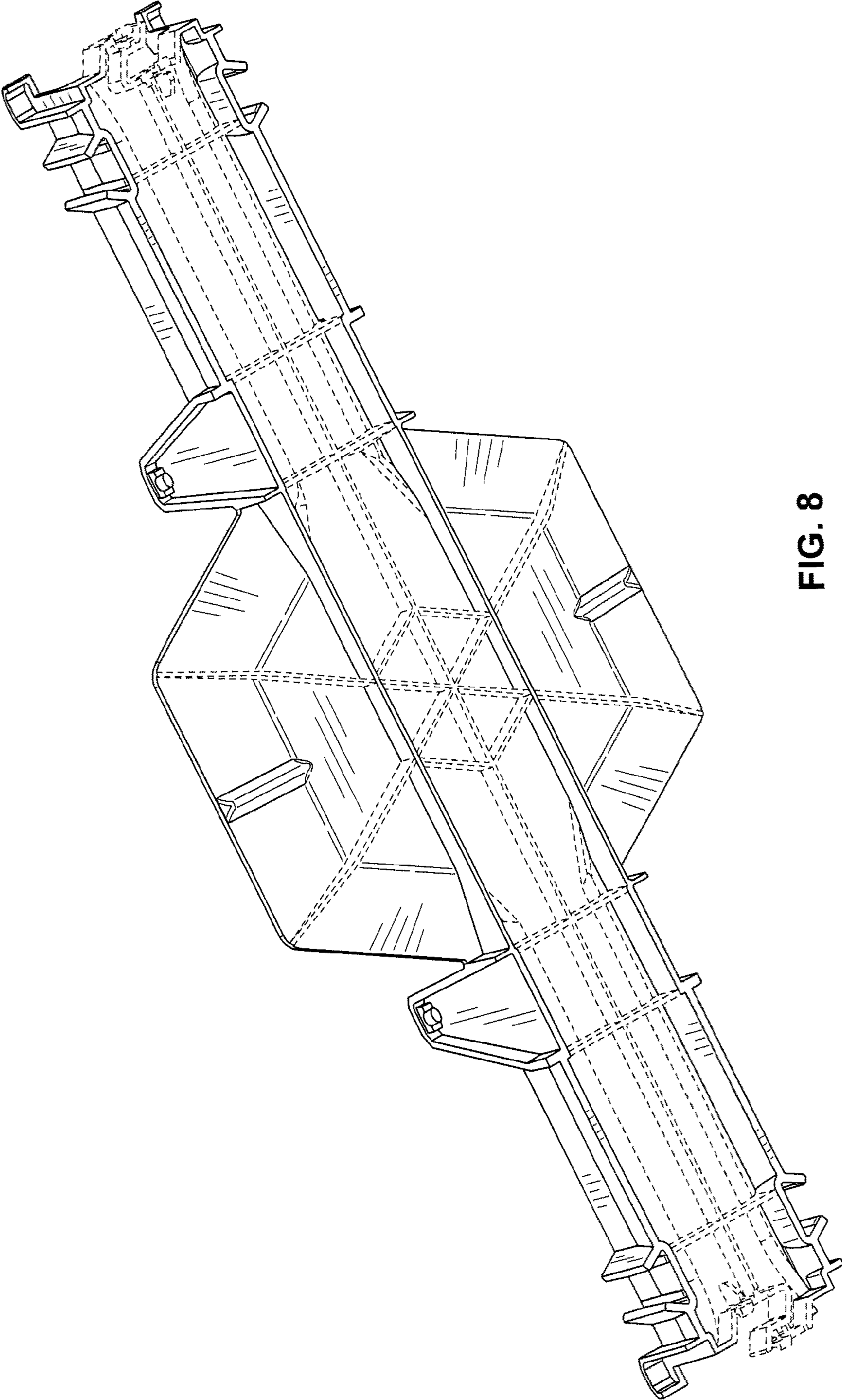


FIG. 8