



US00D654120S

(12) **United States Design Patent**
Lin

(10) **Patent No.:** **US D654,120 S**

(45) **Date of Patent:** **** Feb. 14, 2012**

(54) **SUCTION-TYPE CLAMPING SUPPORT FOR MULTIMEDIA DEVICES**

(75) Inventor: **Chung-Hung Lin**, Tainan County (TW)

(73) Assignee: **Jow Tong Technology Co., Ltd.**, Tainan Hsien (TW)

(**) Term: **14 Years**

(21) Appl. No.: **29/382,350**

(22) Filed: **Jan. 3, 2011**

(51) **LOC (9) Cl.** **21-01**

(52) **U.S. Cl.** **D21/333; D14/434**

(58) **Field of Classification Search** D21/324-333,
D21/686, 662, 335, 385, 694-697; 273/148 B,
273/440, 442, 454-456, 459; 463/1, 30-35,
463/36, 46, 47; 345/156-163; 434/61; 700/90;
710/303; D14/356, 217, 218, 251, 454, 434,
D14/439

See application file for complete search history.

(56) **References Cited**

U.S. PATENT DOCUMENTS

5,207,791	A *	5/1993	Scherbarth	273/148 B
5,799,914	A *	9/1998	Chivallier et al.	248/176.1
5,833,178	A *	11/1998	Plasse et al.	248/27.8
5,899,421	A *	5/1999	Silverman	248/175

6,913,232	B2 *	7/2005	Richter	248/205.8
D520,013	S *	5/2006	Yang	D14/434
D521,990	S *	5/2006	Richter	D14/253
D533,054	S *	12/2006	Brassard	D8/373
D544,487	S *	6/2007	Hussaini et al.	D14/434
D549,232	S *	8/2007	Li et al.	D14/447
D589,964	S *	4/2009	Heggland et al.	D14/434
D615,596	S *	5/2010	Bik et al.	D21/333
D637,656	S *	5/2011	Brault et al.	D21/333

* cited by examiner

Primary Examiner — Prabhakar Deshmukh

(74) *Attorney, Agent, or Firm* — Rosenberg, Klein & Lee

(57) **CLAIM**

The ornamental design for a suction-type clamping support for multimedia devices, as shown and described.

DESCRIPTION

FIG. 1 is a perspective view of a suction-type clamping support for multimedia devices showing my new design;

FIG. 2 is a front elevational view thereof;

FIG. 3 is a rear elevational view thereof; FIG. 4 is a left side elevational view thereof;

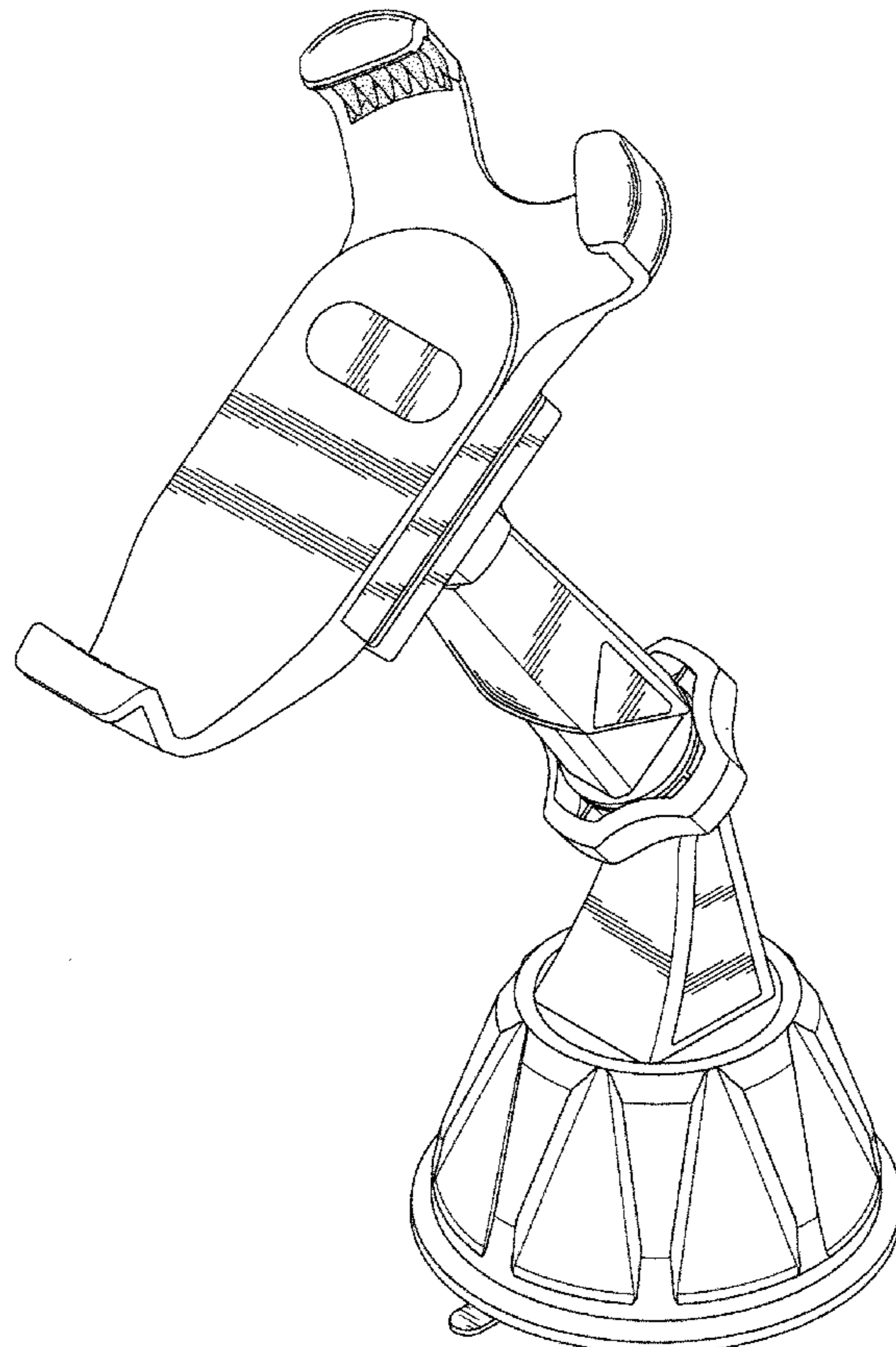
FIG. 5 is a right side elevational view thereof;

FIG. 6 is a top plan view thereof; and,

FIG. 7 is a bottom plan view thereof.

The broken lines indicate disclaimed portions and form no part of the claimed design.

1 Claim, 7 Drawing Sheets



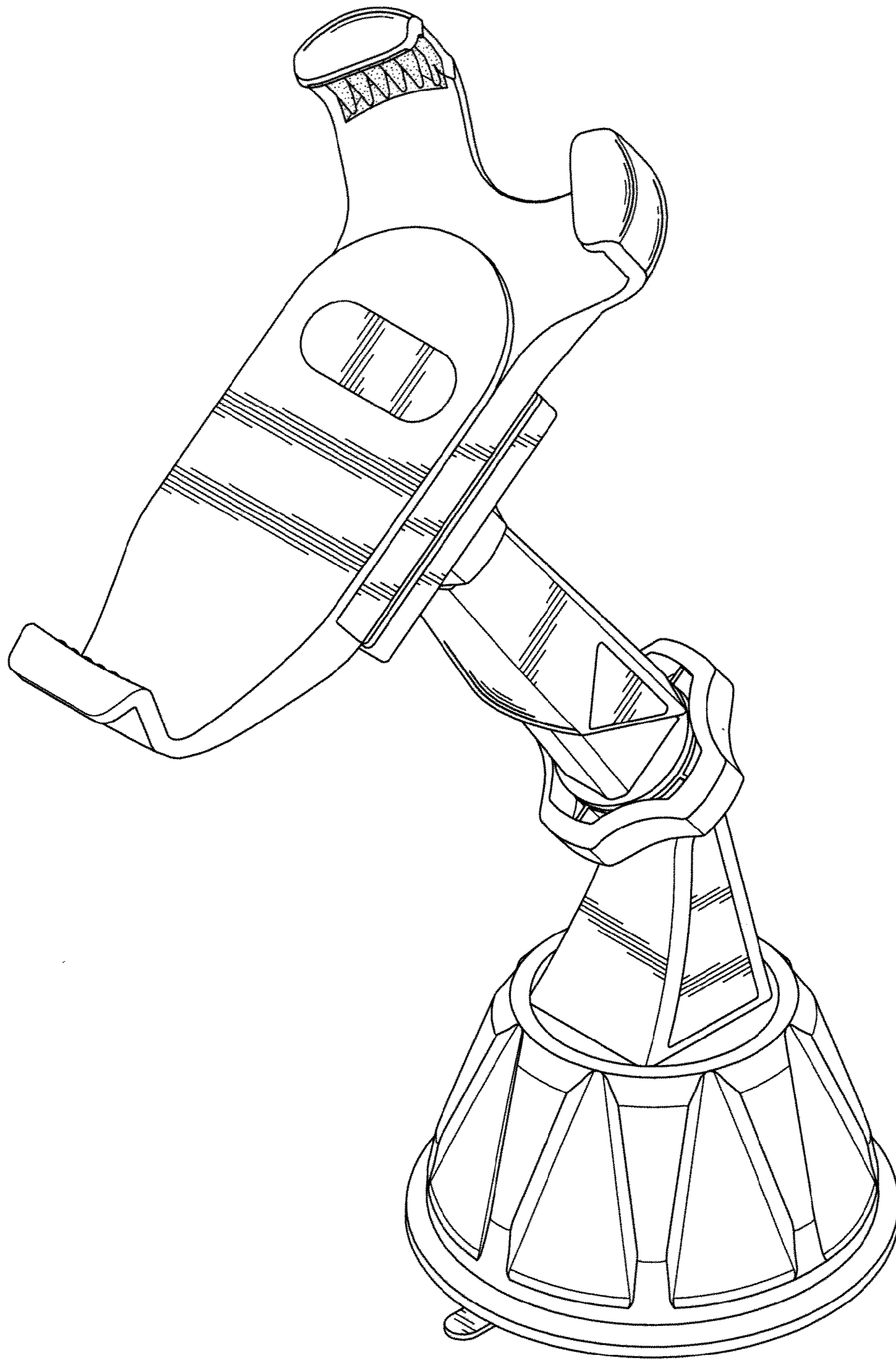


FIG. 1

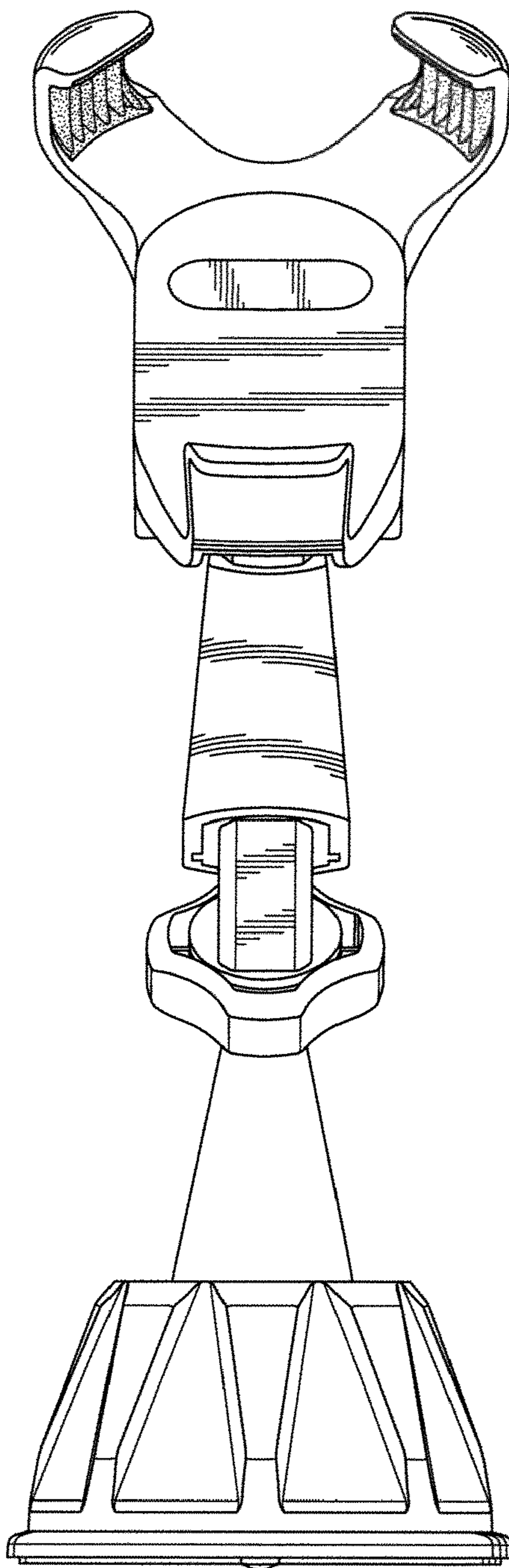


FIG. 2

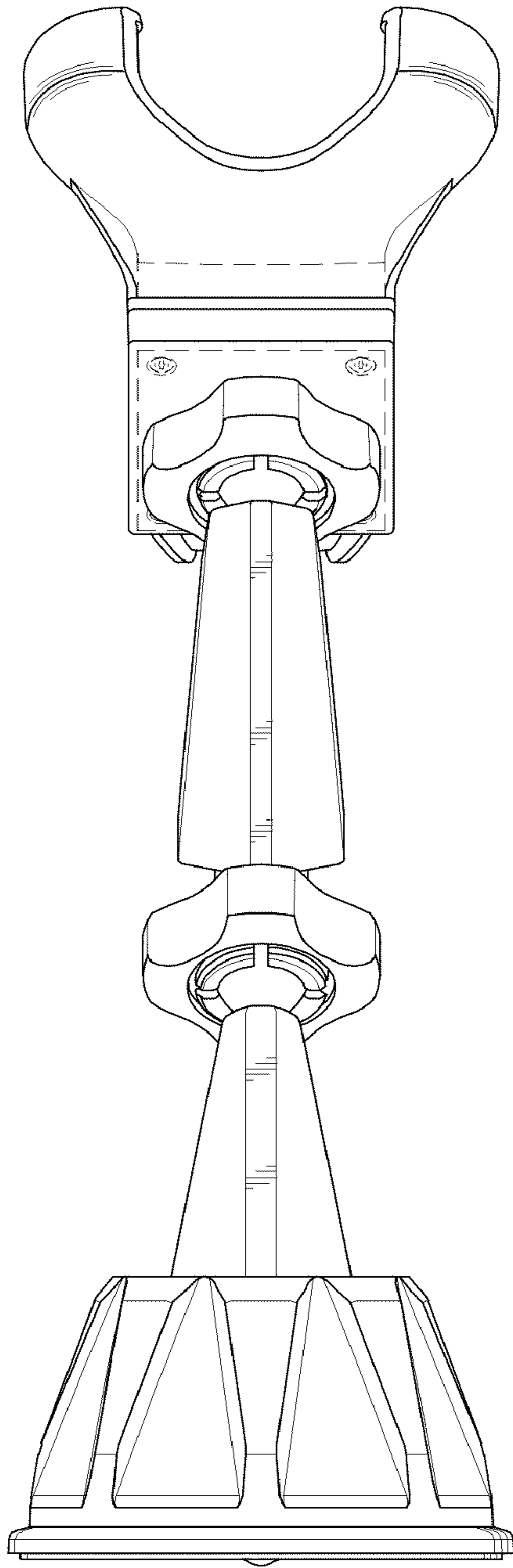


FIG. 3

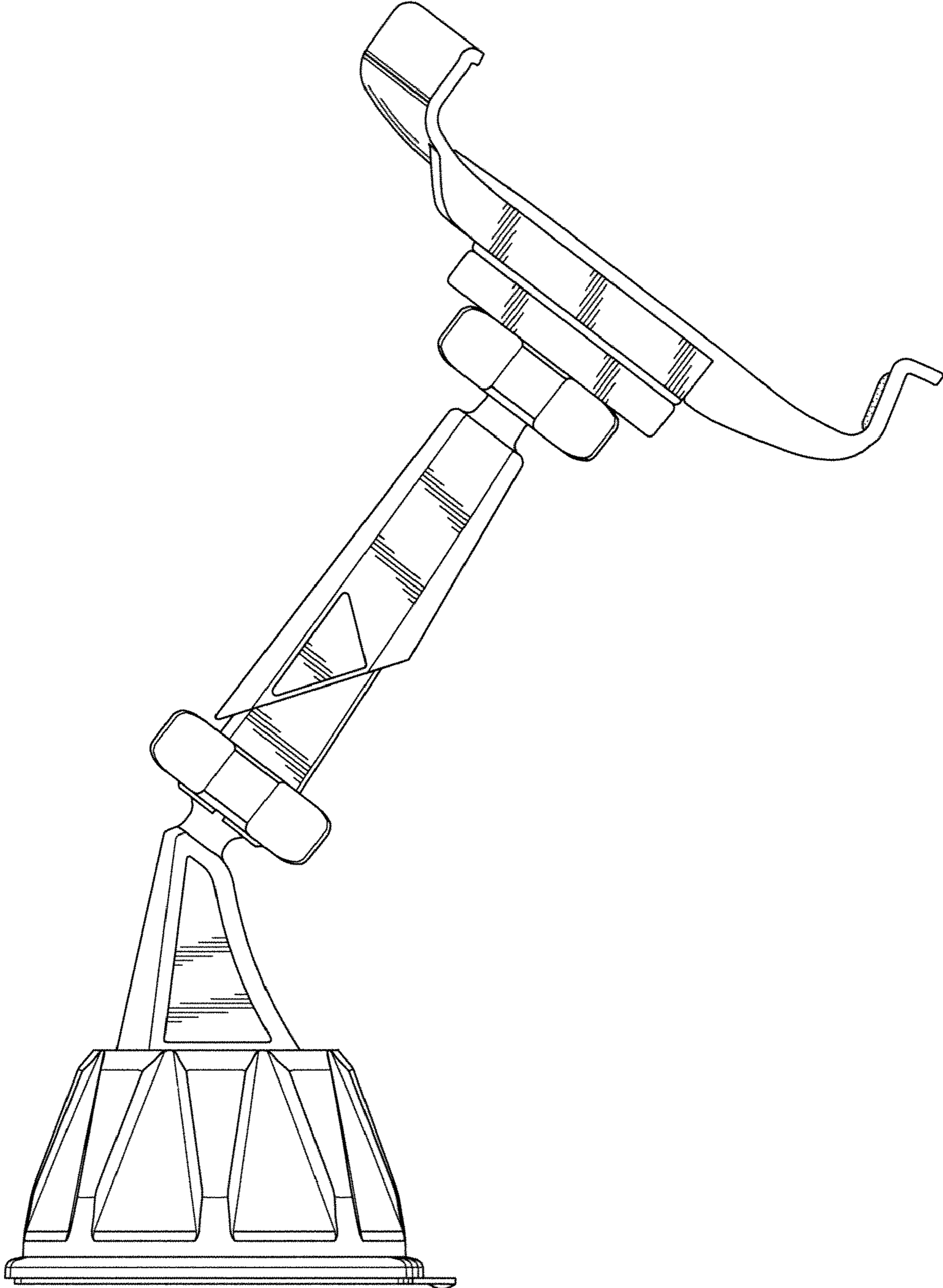


FIG. 4

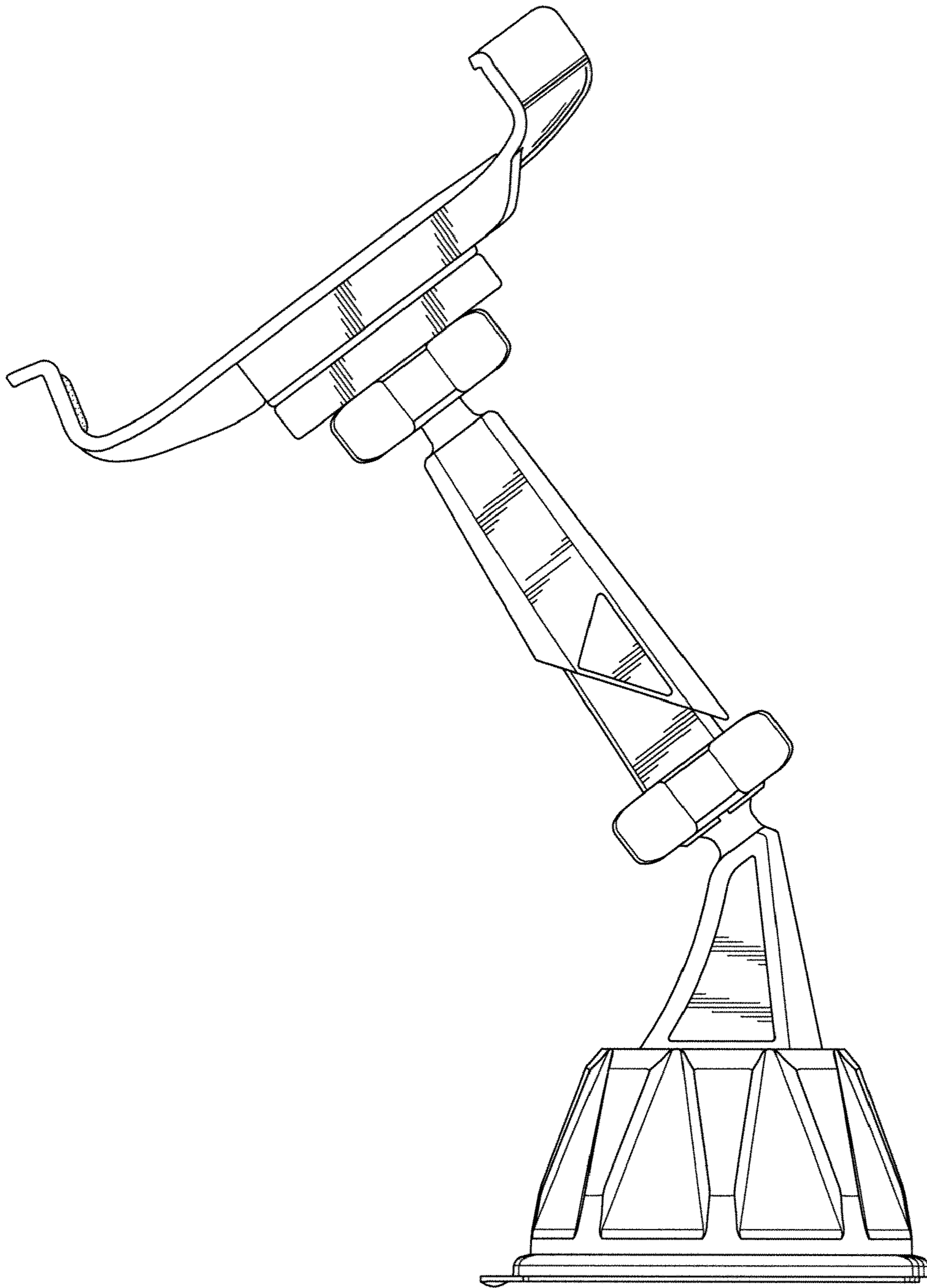


FIG. 5

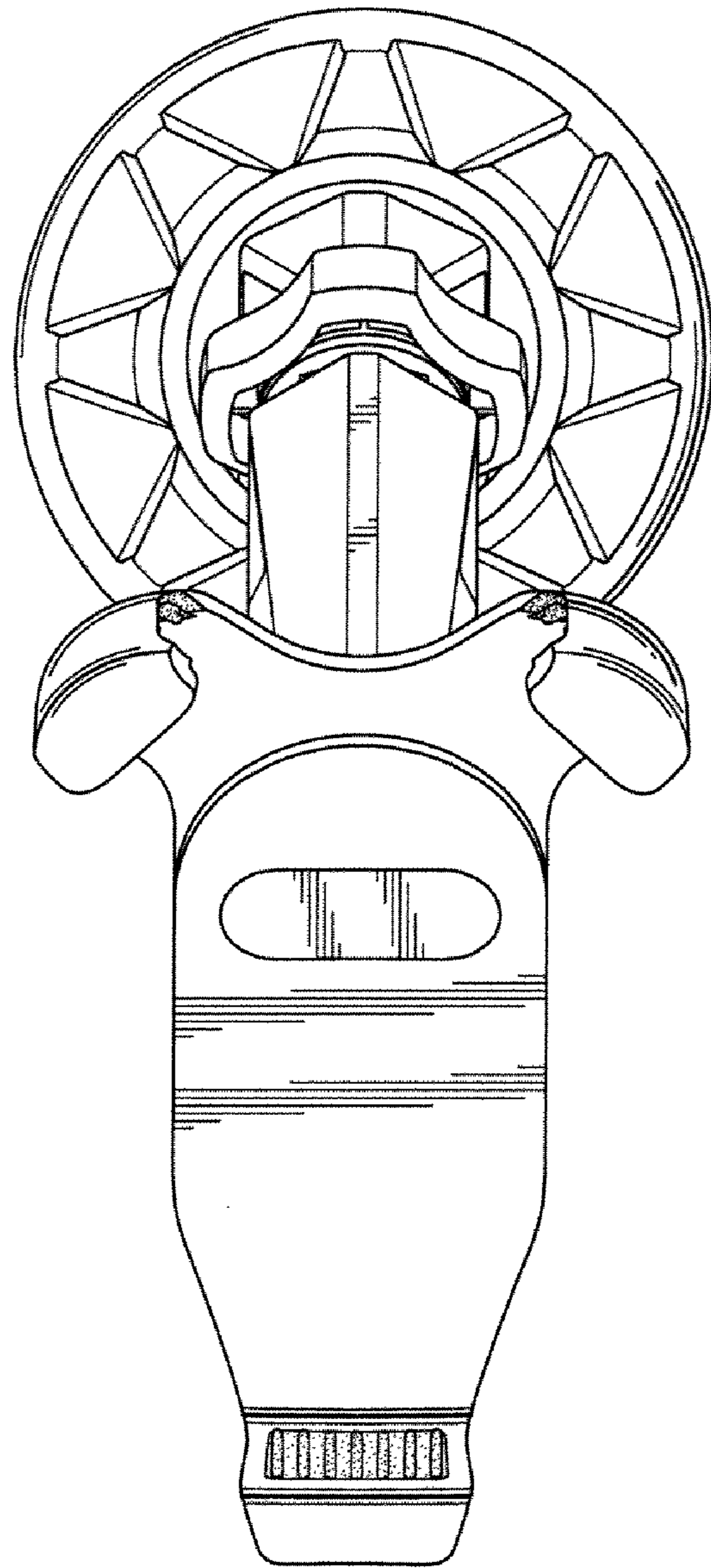


FIG. 6

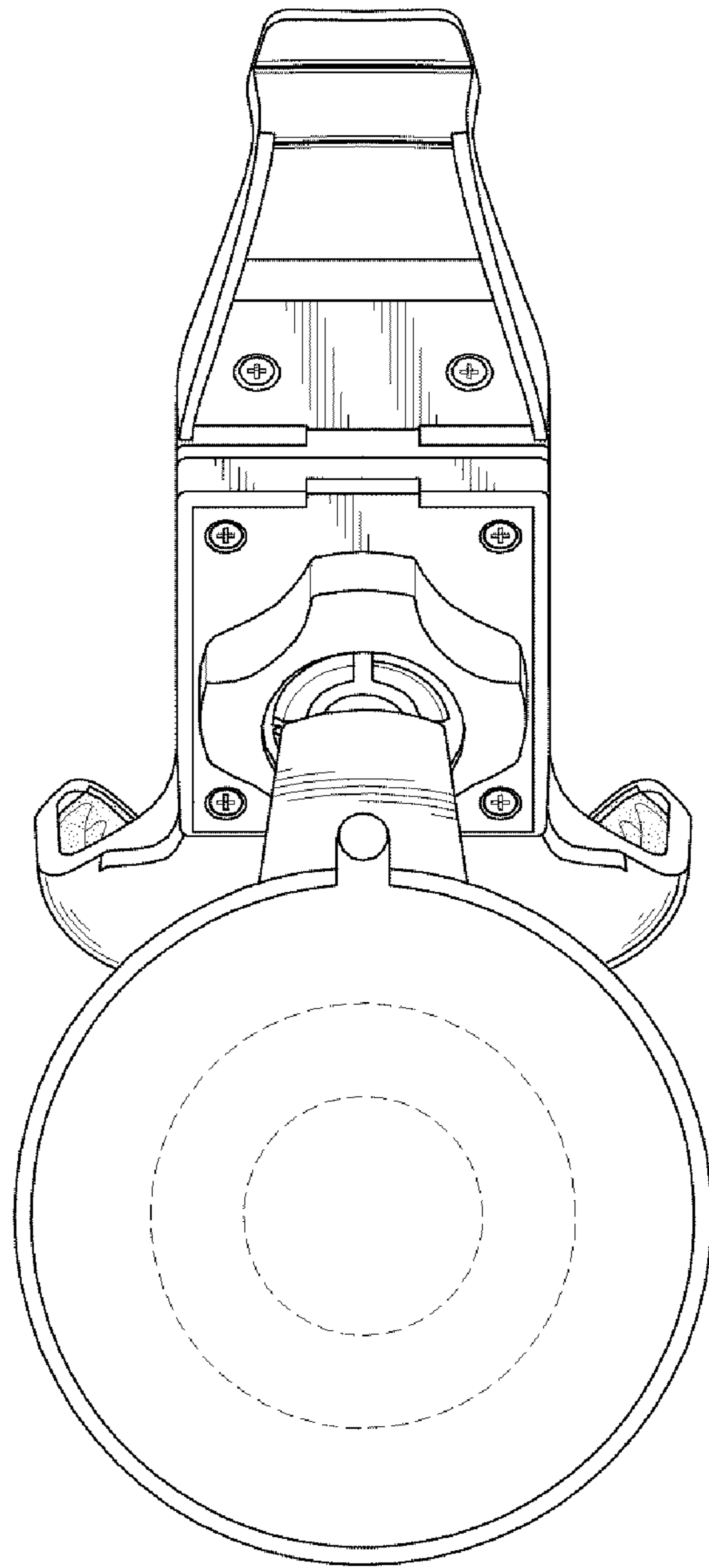


FIG. 7