



US00D654119S

(12) **United States Design Patent**  
**Lin**

(10) **Patent No.:** **US D654,119 S**

(45) **Date of Patent:** **\*\* Feb. 14, 2012**

(54) **SUCTION-TYPE CLAMPING SUPPORT FOR MULTIMEDIA DEVICES**

(75) Inventor: **Chung-Hung Lin**, Tainan County (TW)

(73) Assignee: **Jow Tong Technology Co., Ltd.**, Tainan Hsien (TW)

(\*\*) Term: **14 Years**

(21) Appl. No.: **29/382,348**

(22) Filed: **Jan. 3, 2011**

(51) **LOC (9) Cl.** ..... **21-01**

(52) **U.S. Cl.** ..... **D21/333; D14/434**

(58) **Field of Classification Search** ..... D21/324-333,  
D21/686, 662, 335, 385, 694-697; 273/148 B,  
273/440, 442, 454-456, 459; 463/1, 30-35,  
463/36, 46, 47; 345/156-163; 434/61; 700/90;  
710/303; D14/356, 217, 218, 251, 454, 434,  
D14/439

See application file for complete search history.

(56) **References Cited**

**U.S. PATENT DOCUMENTS**

5,207,791 A \* 5/1993 Scherbarth ..... 273/148 B  
5,799,914 A \* 9/1998 Chivallier et al. .... 248/176.1  
5,833,178 A \* 11/1998 Plasse et al. .... 248/27.8  
5,899,421 A \* 5/1999 Silverman ..... 248/175

6,913,232 B2 \* 7/2005 Richter ..... 248/205.8  
D520,013 S \* 5/2006 Yang ..... D14/434  
D521,990 S \* 5/2006 Richter ..... D14/253  
D533,054 S \* 12/2006 Brassard ..... D8/373  
D544,487 S \* 6/2007 Hussaini et al. .... D14/434  
D549,232 S \* 8/2007 Li et al. .... D14/447  
D589,964 S \* 4/2009 Heggland et al. .... D14/434  
D615,596 S \* 5/2010 Bik et al. .... D21/333  
D637,656 S \* 5/2011 Brault et al. .... D21/333

\* cited by examiner

*Primary Examiner* — Prabhakar Deshmukh

(74) *Attorney, Agent, or Firm* — Rosenberg, Klein & Lee

(57) **CLAIM**

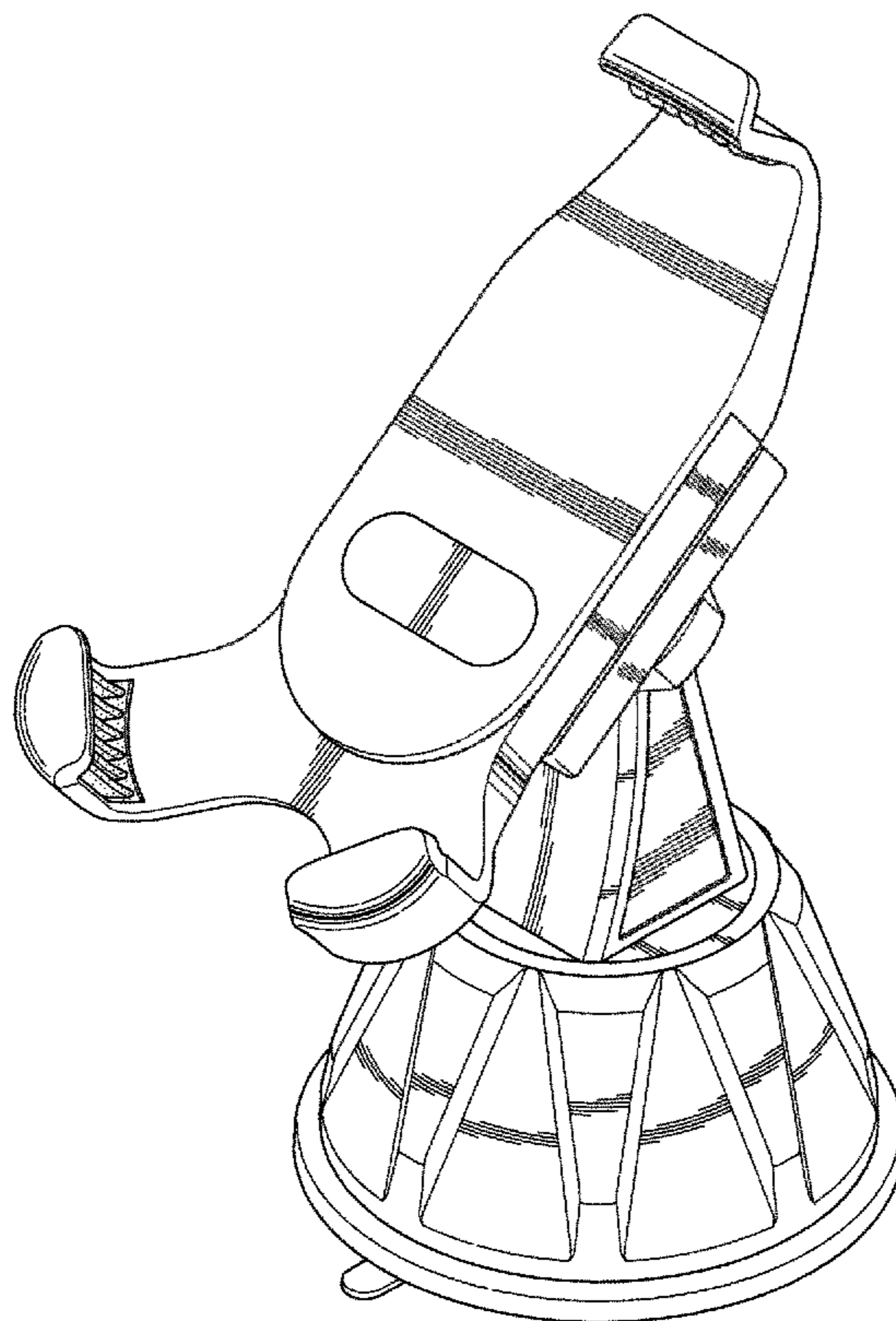
The ornamental design for a suction-type clamping support for multimedia devices, as shown and described.

**DESCRIPTION**

FIG. 1 is a perspective view of a suction-type clamping support for multimedia devices showing my new design;  
FIG. 2 is a front elevational view thereof;  
FIG. 3 is a rear elevational view thereof;  
FIG. 4 is a left side elevational view thereof;  
FIG. 5 is a right side elevational view thereof;  
FIG. 6 is a top plan view thereof; and,  
FIG. 7 is a bottom plan view thereof.

The broken lines indicate disclaimed portions and form no part of the claimed design.

**1 Claim, 7 Drawing Sheets**



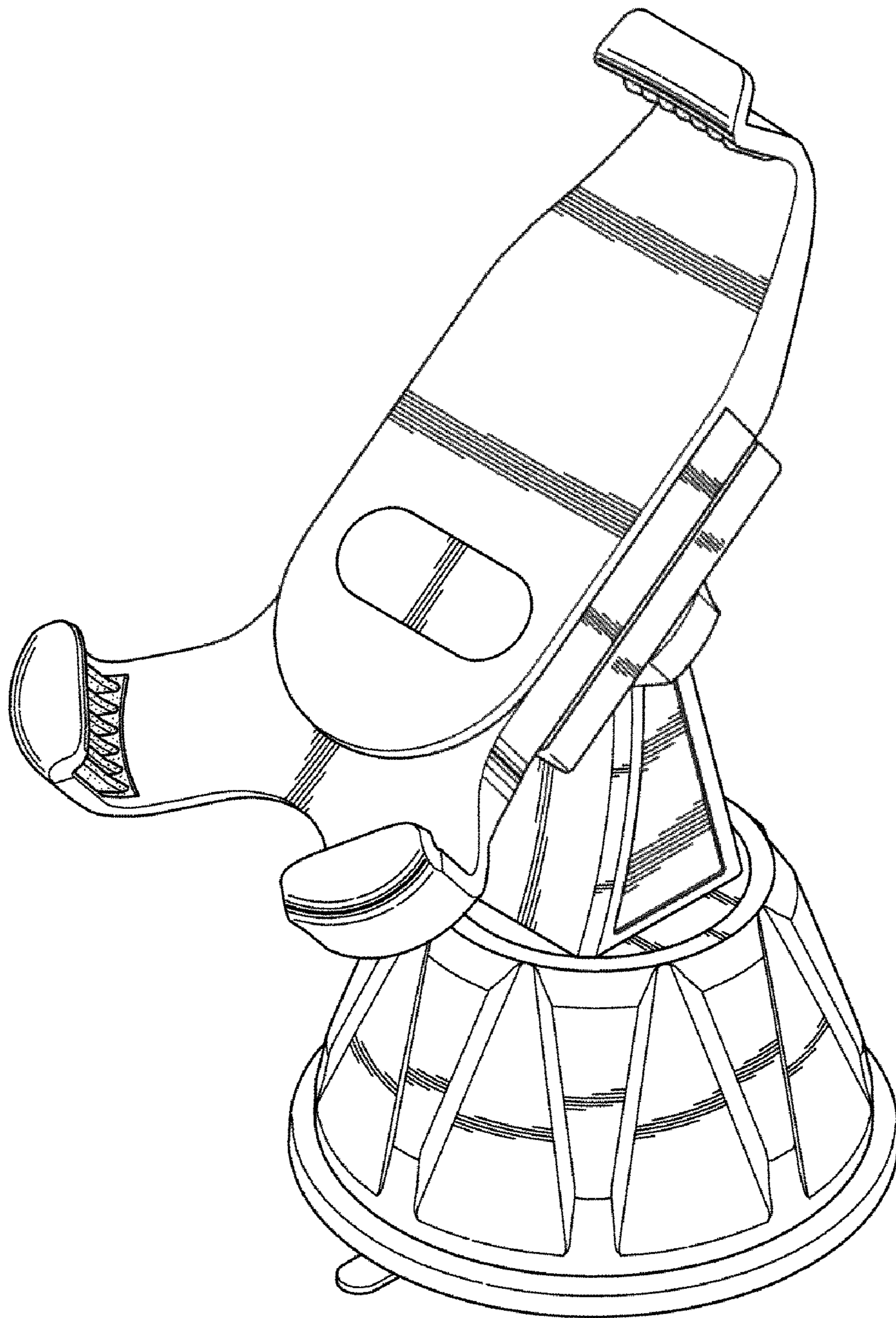


FIG. 1

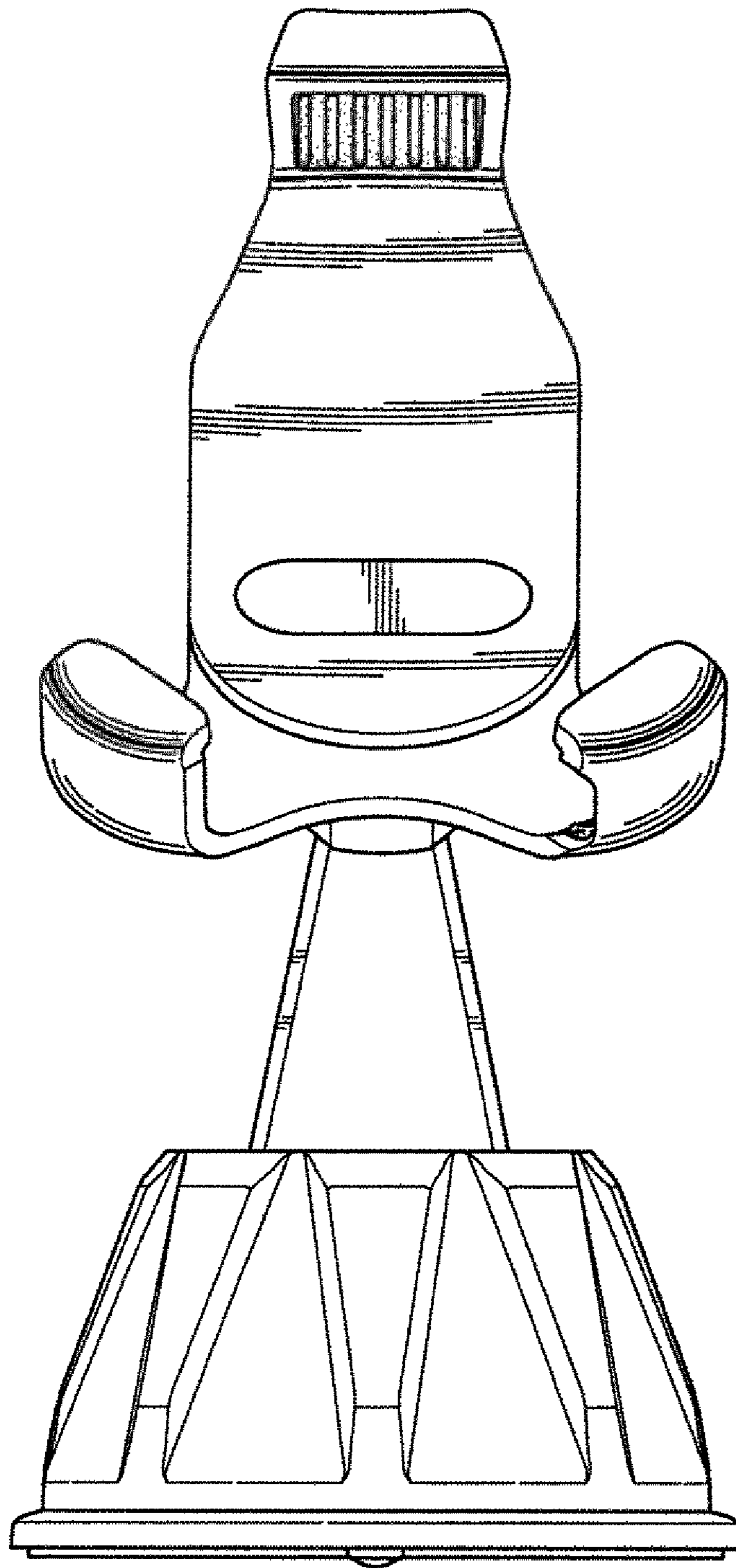
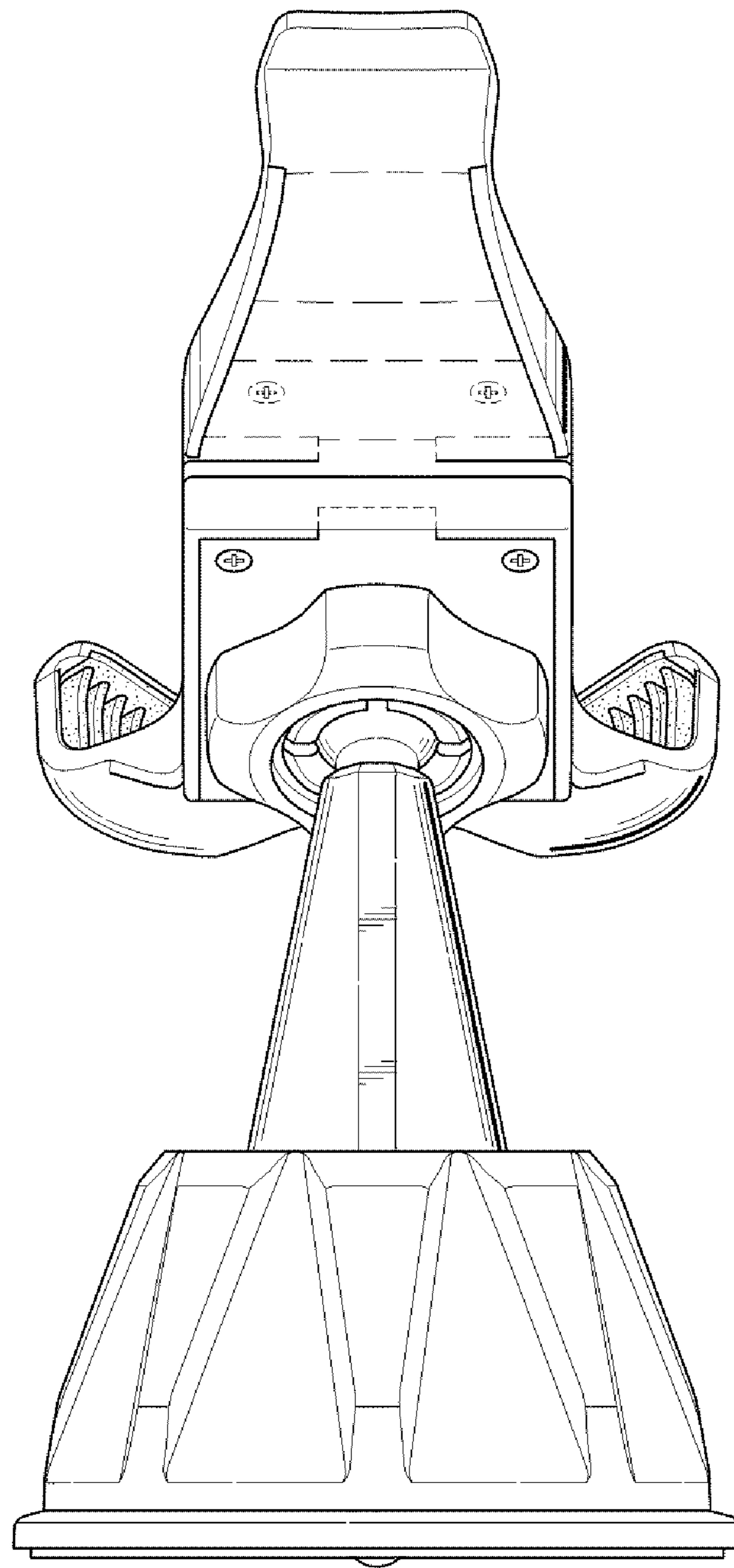


FIG. 2



**FIG. 3**

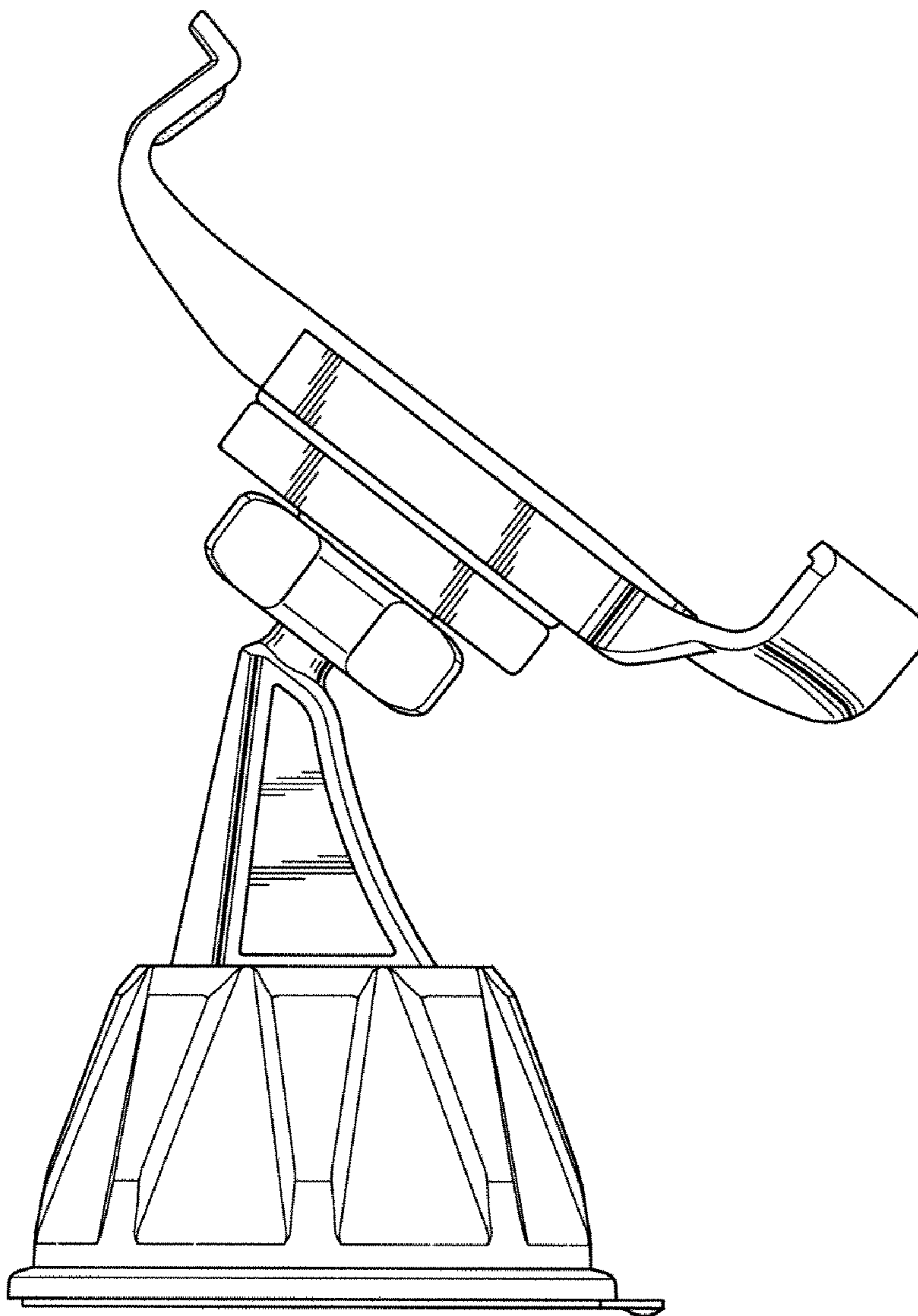


FIG. 4

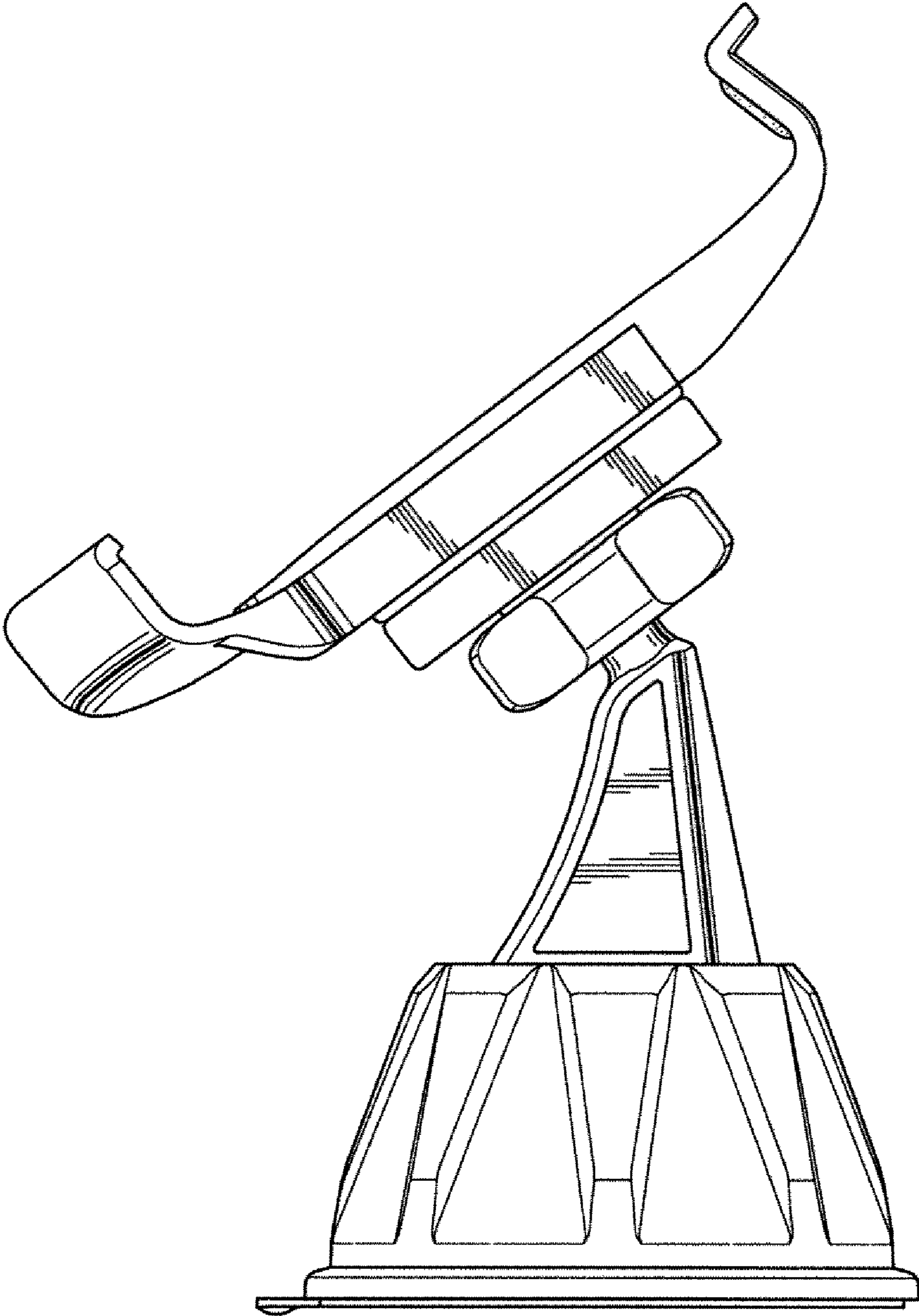


FIG. 5

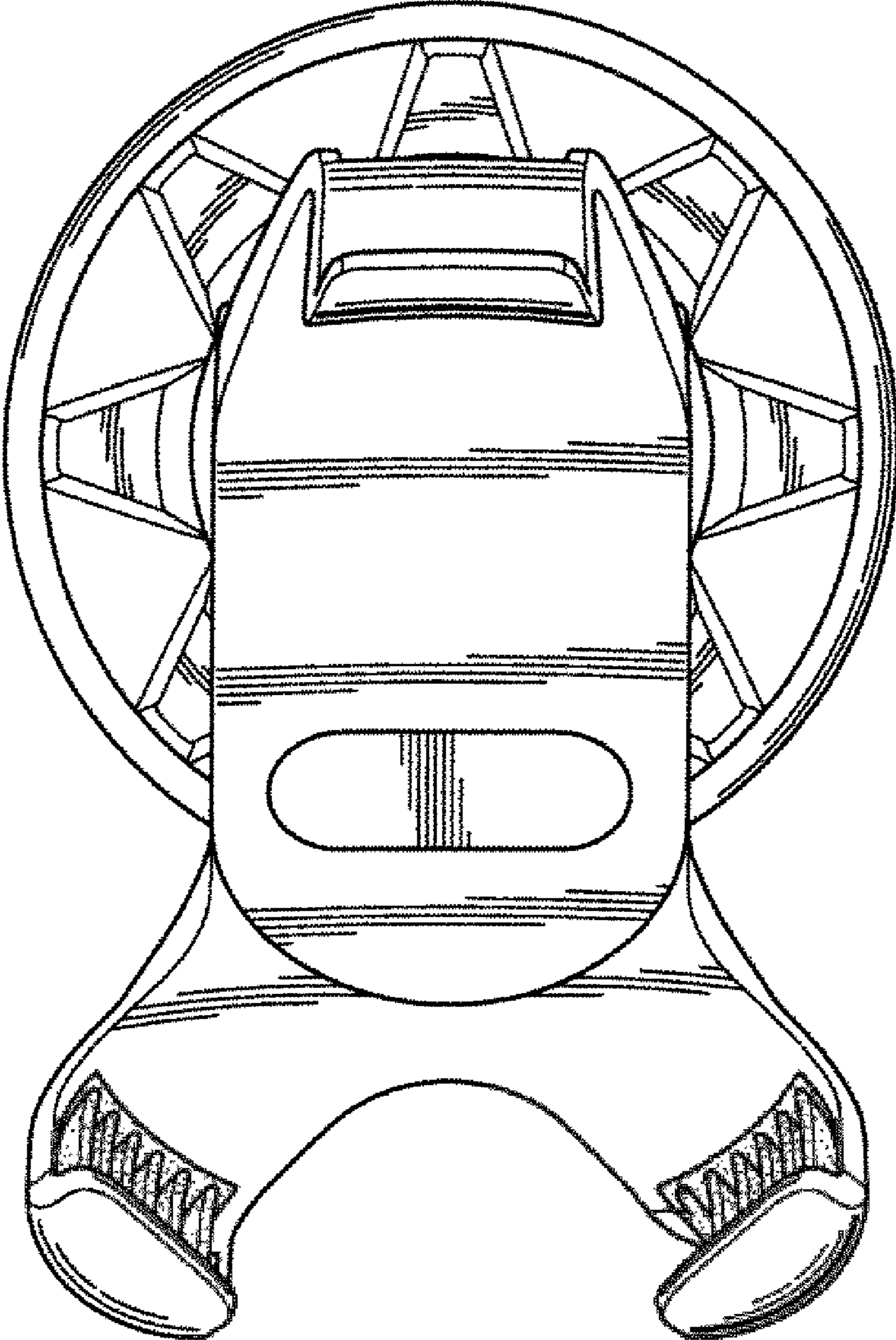


FIG. 6

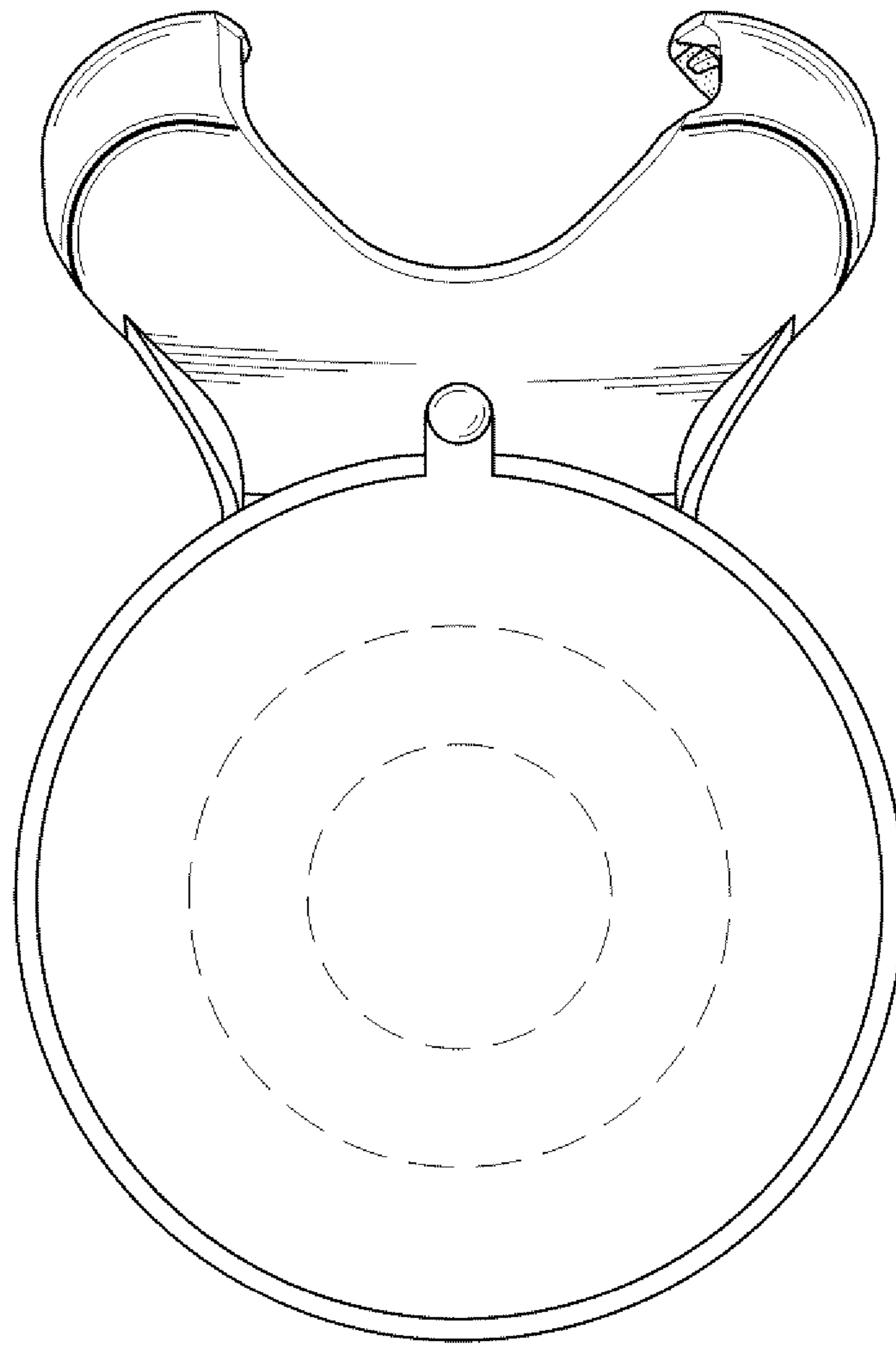


FIG. 7