



US00D654118S

(12) **United States Design Patent**  
**Sogabe**

(10) **Patent No.:** **US D654,118 S**

(45) **Date of Patent:** **\*\* Feb. 14, 2012**

(54) **HOLDER FOR REMOTE CONTROLLER**

(75) Inventor: **Takashi Sogabe**, Tokyo (JP)

(73) Assignee: **Sony Computer Entertainment Inc.**,  
Tokyo (JP)

(\*\*) Term: **14 Years**

(21) Appl. No.: **29/371,208**

(22) Filed: **Nov. 29, 2010**

(30) **Foreign Application Priority Data**

Jun. 14, 2010 (JP) ..... D2010-014573

(51) **LOC (9) Cl.** ..... **21-01**

(52) **U.S. Cl.** ..... **D21/333; D14/218**

(58) **Field of Classification Search** ..... D14/218,  
D14/432, 356, 358, 440, 400, 401; D21/332,  
D21/333, 324, 328; 273/148 B; 463/1, 29-47;  
D3/218, 301; 361/807-810; 248/689, 690,  
248/309.1, 314, 346.01, 346.03, 346.06,  
248/346.04; 206/320, 305

See application file for complete search history.

(56) **References Cited**

**U.S. PATENT DOCUMENTS**

3,655,192 A \* 4/1972 Hall et al. .... 463/51  
5,253,068 A \* 10/1993 Crook et al. .... 348/734  
D398,661 S \* 9/1998 Lee ..... D21/333  
D436,108 S \* 1/2001 Lee ..... D14/418  
6,241,247 B1 \* 6/2001 Sternberg et al. .... 273/148 B

6,647,248 B1 \* 11/2003 Ortscheid et al. .... 455/575.1  
D568,882 S \* 5/2008 Ashida et al. .... D14/400  
D576,624 S \* 9/2008 Ashida et al. .... D14/400  
D599,352 S \* 9/2009 Takamoto et al. .... D14/400  
D614,624 S \* 4/2010 Zhang ..... D14/418  
D618,288 S \* 6/2010 Kay et al. .... D21/333  
D631,098 S \* 1/2011 Ashida et al. .... D21/333

\* cited by examiner

*Primary Examiner* — Prabhakar Deshmukh

(74) *Attorney, Agent, or Firm* — Rader, Fishman & Grauer  
PLLC

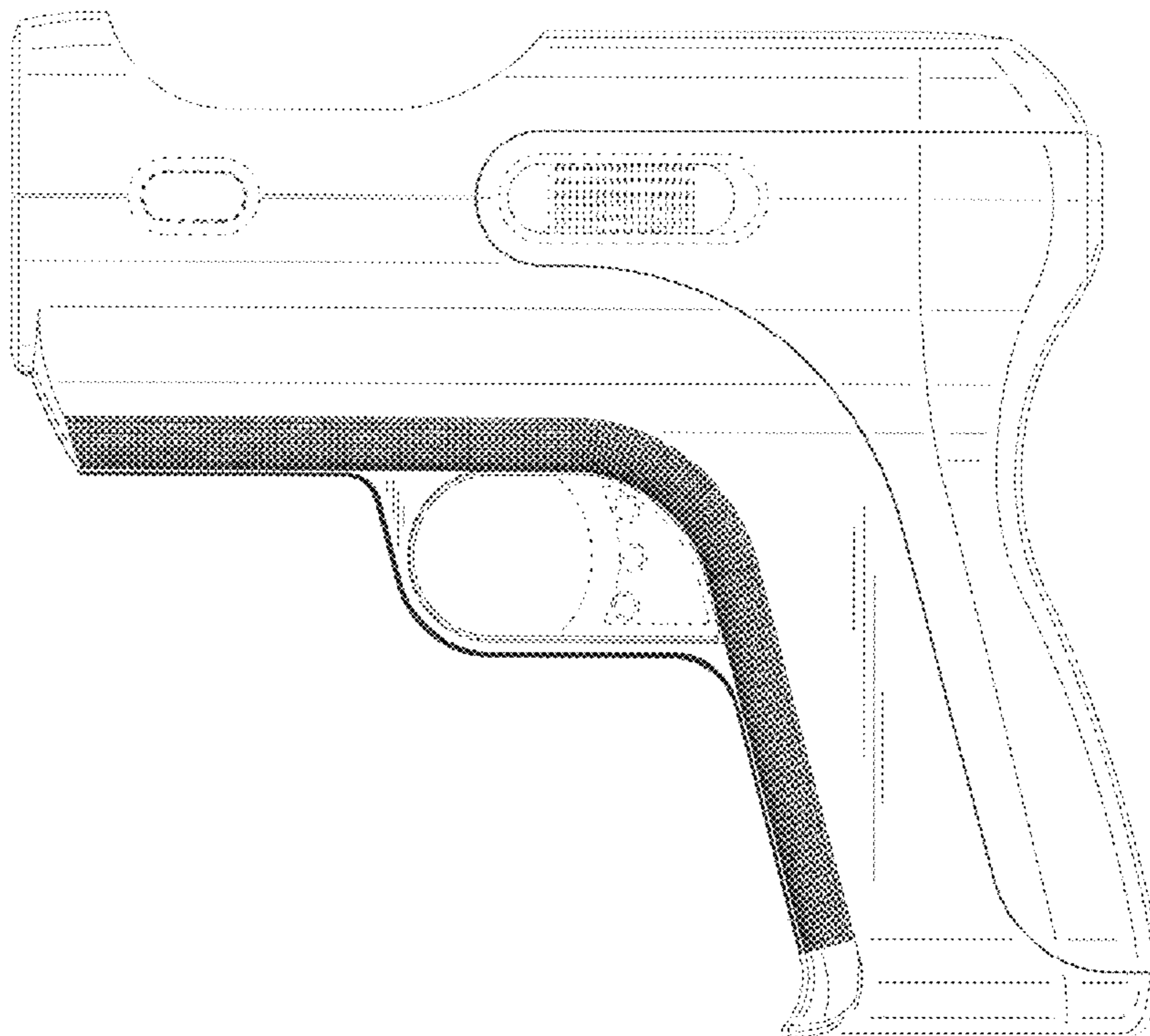
(57) **CLAIM**

The ornamental design for a holder for a remote controller, as shown and described.

**DESCRIPTION**

FIG. 1 is a front elevational view of a holder for a remote controller showing my new design  
FIG. 2 is a rear elevational view thereof;  
FIG. 3 is a left side elevational view thereof;  
FIG. 4 is a right side elevational view thereof;  
FIG. 5 is a top plan view thereof;  
FIG. 6 is a bottom plan view thereof;  
FIG. 7 is a front, top, right perspective view thereof; and,  
FIG. 8 is a rear, bottom, right perspective view thereof.  
Portions in broken lines are for illustrative purposes only and form no part of the claimed design.

**1 Claim, 6 Drawing Sheets**



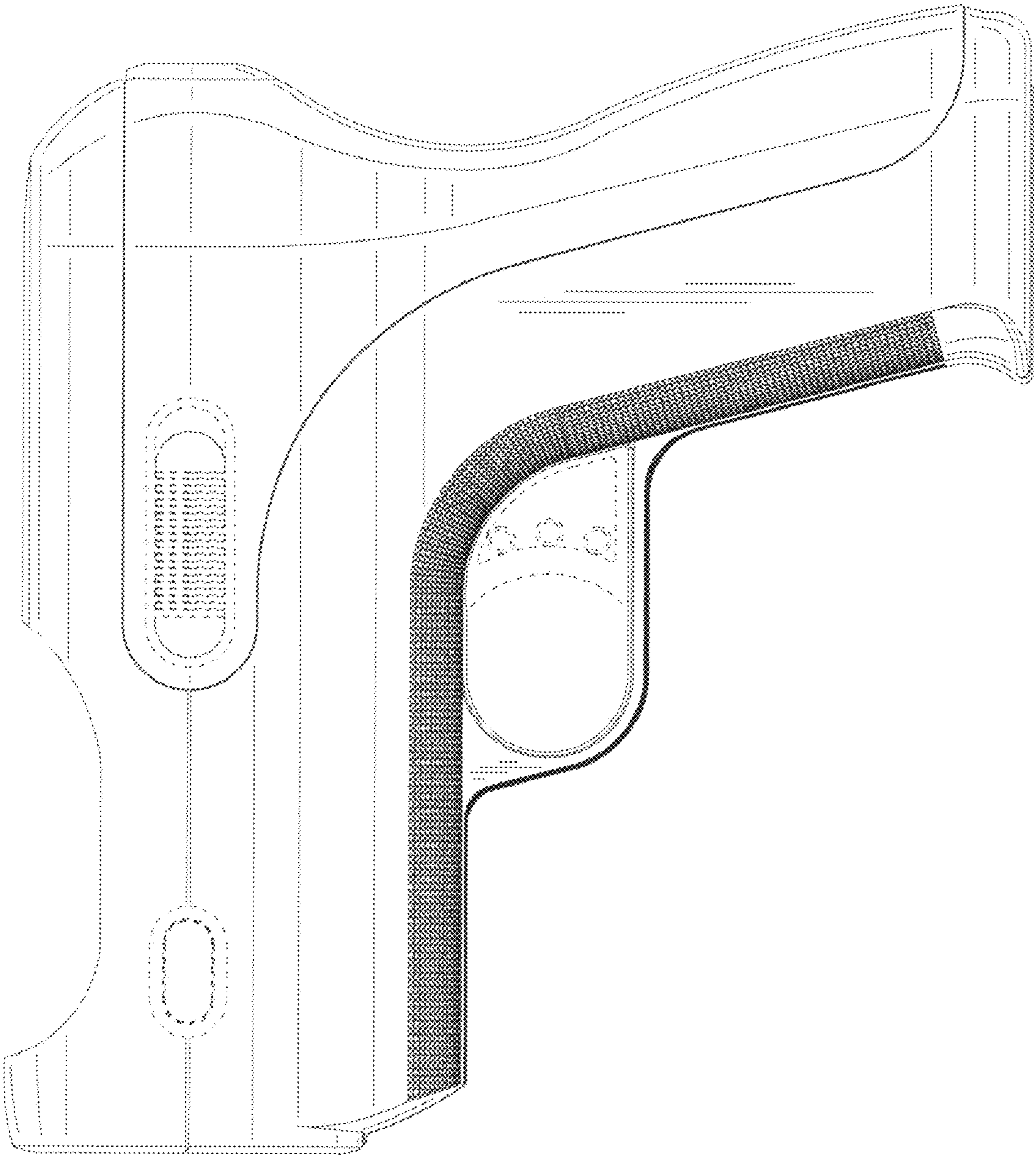


FIG. 1

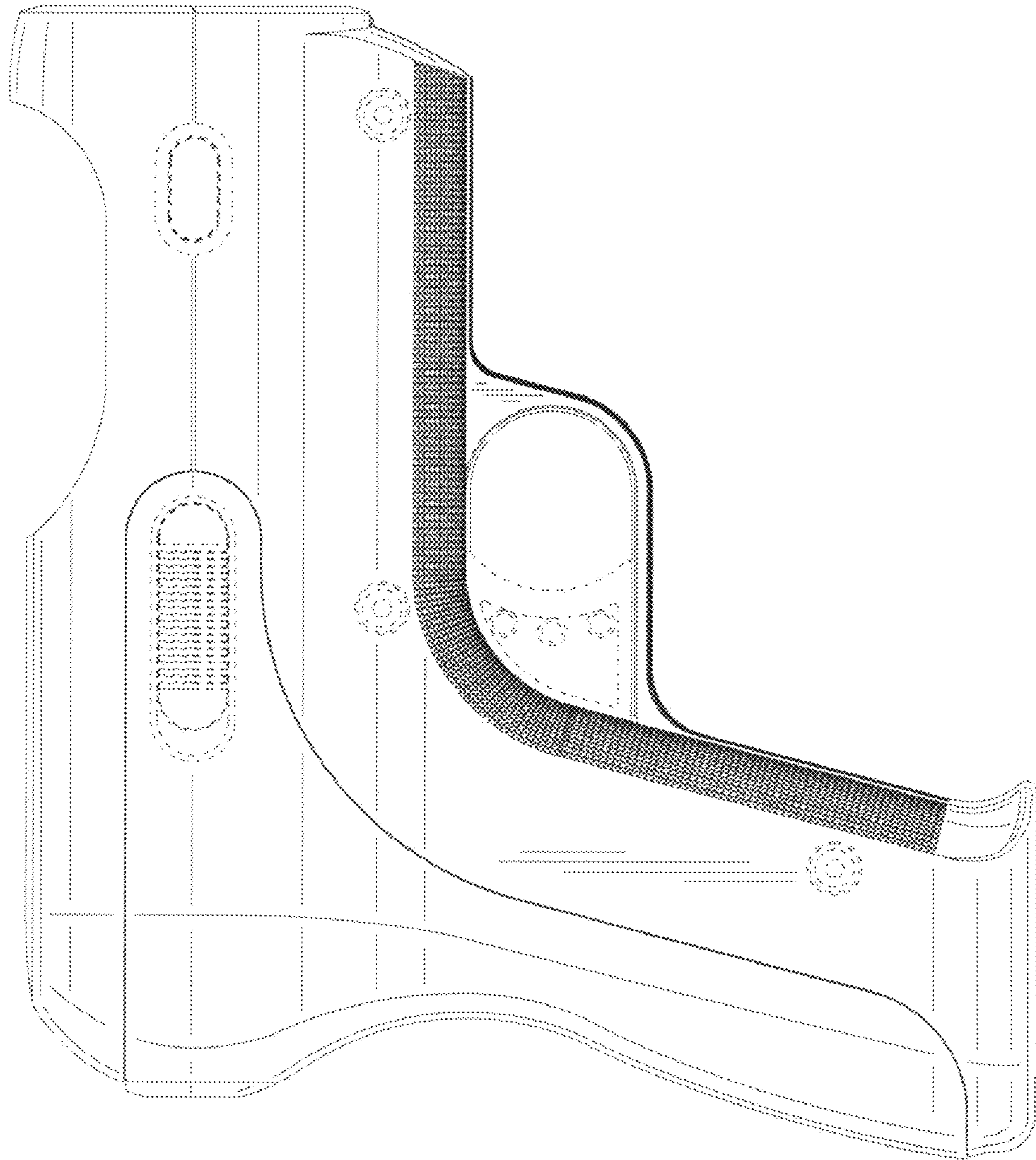


FIG. 2

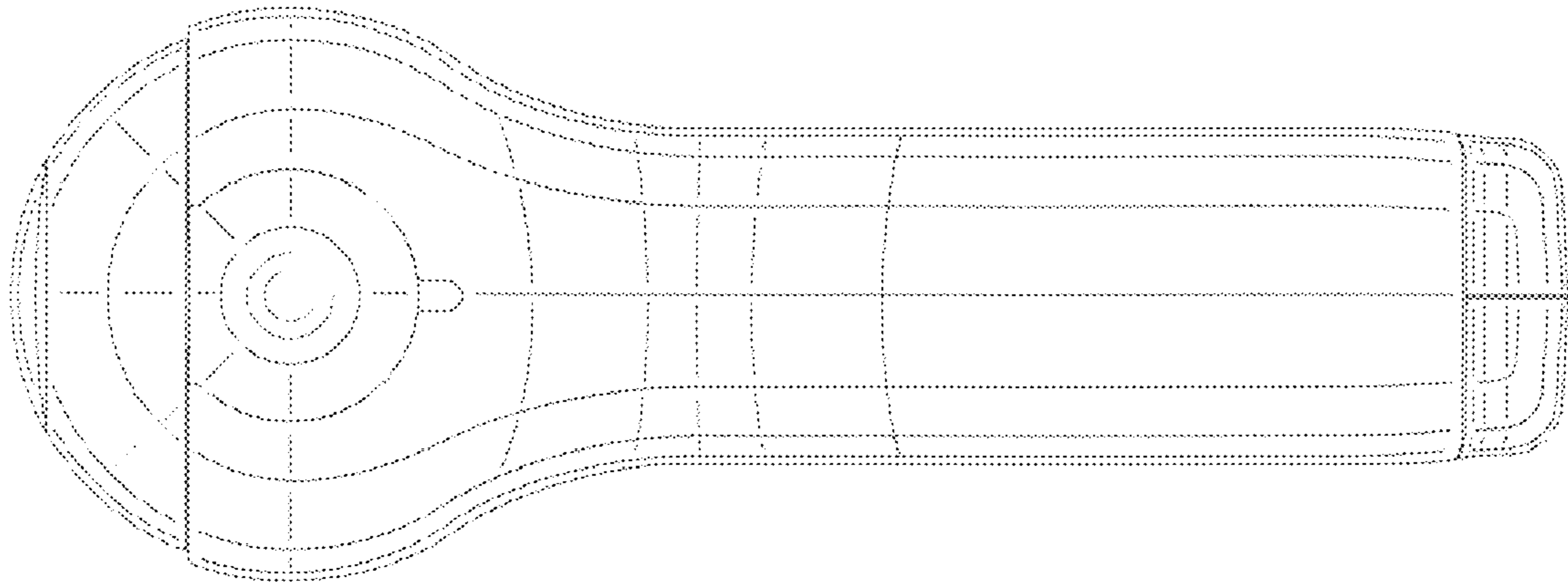


FIG.4

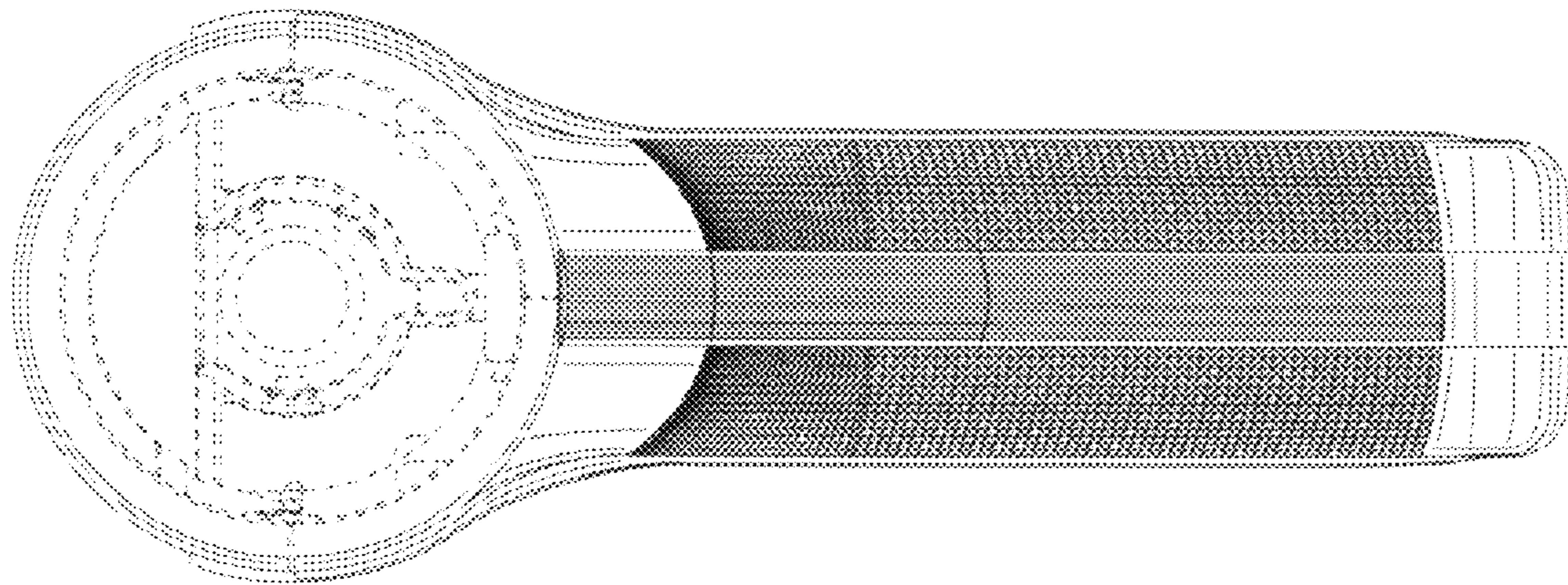


FIG.3

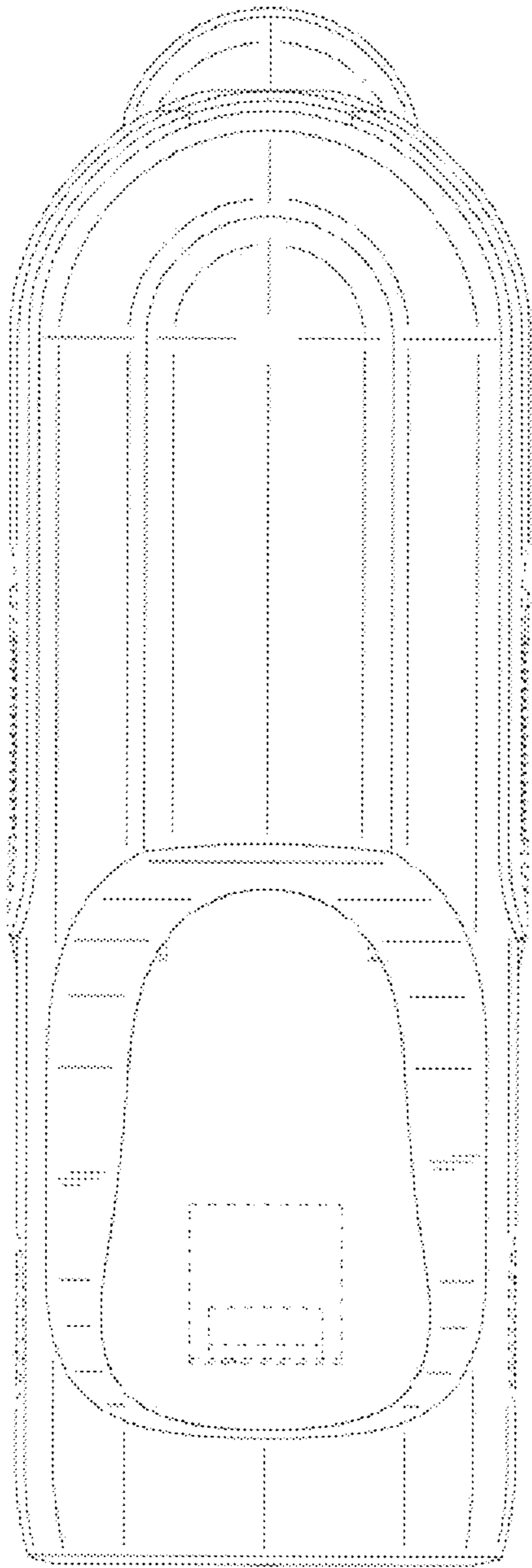


FIG. 5

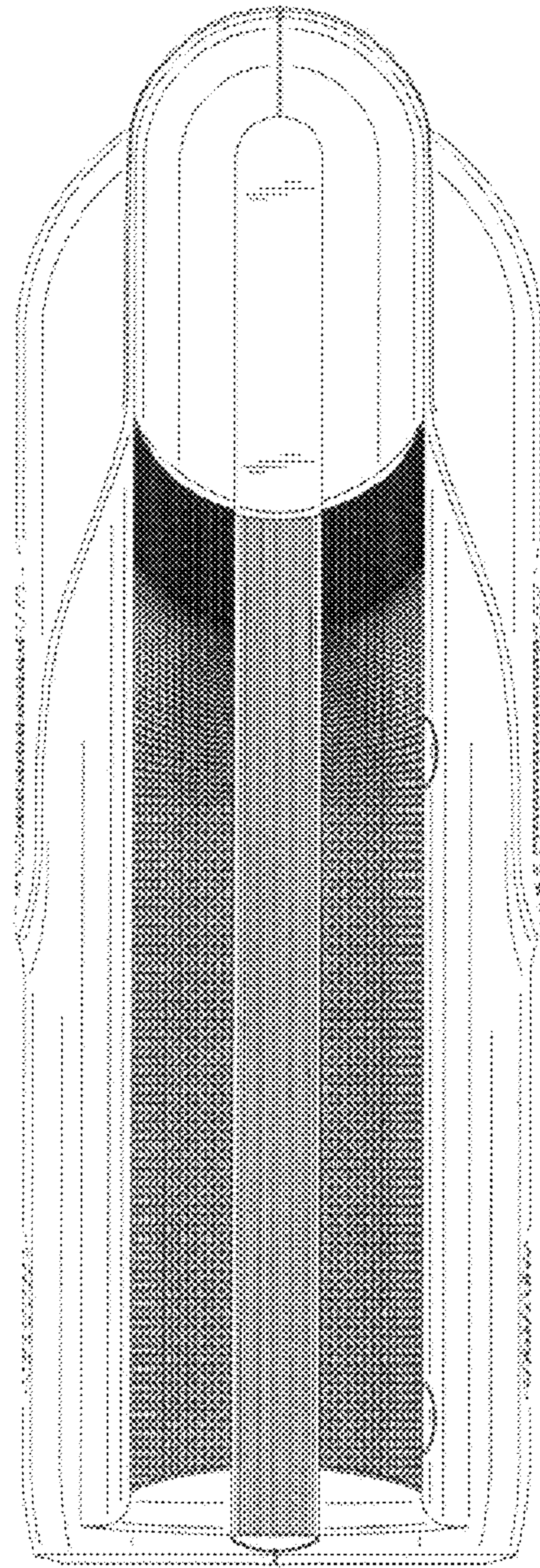
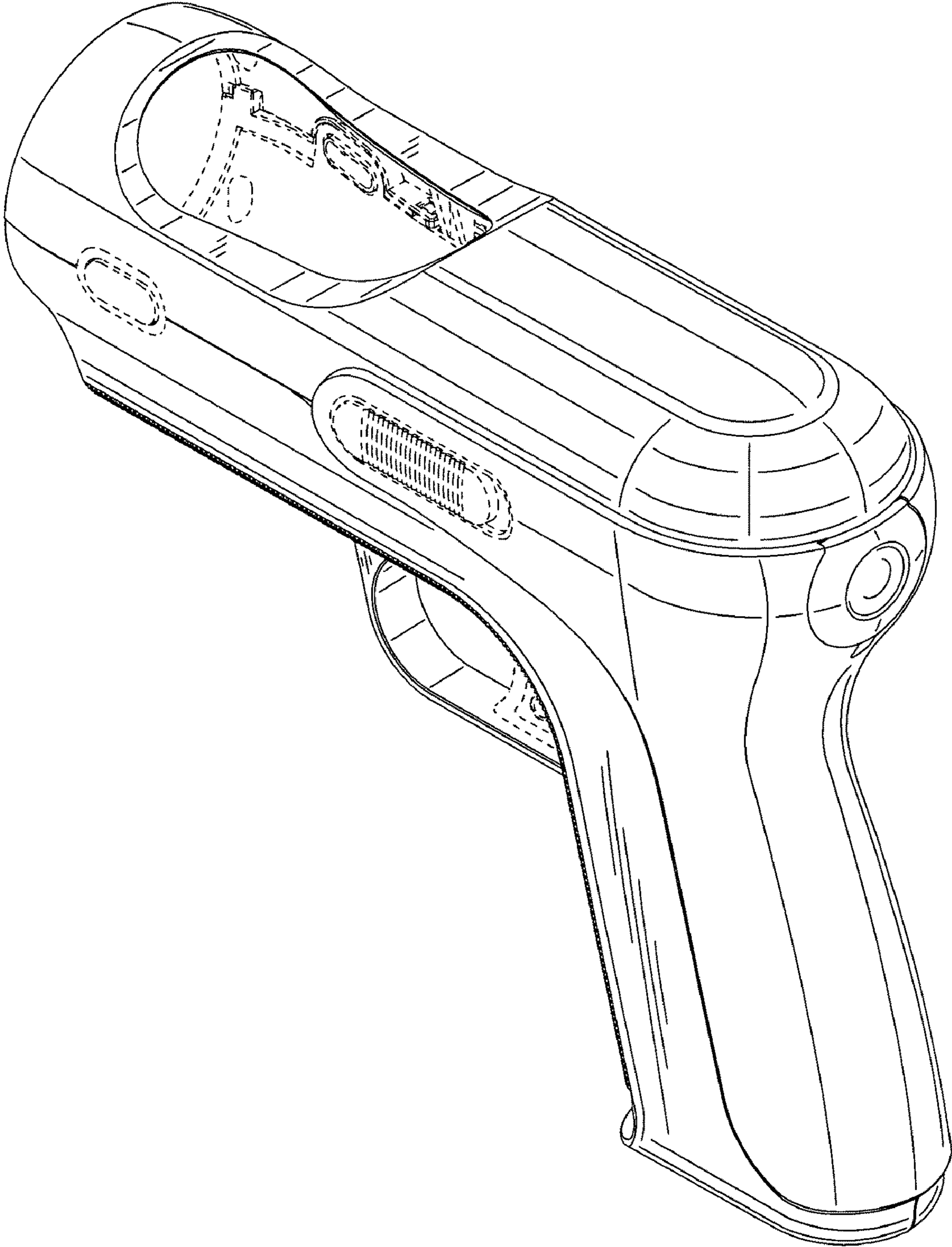


FIG. 6

FIG.7



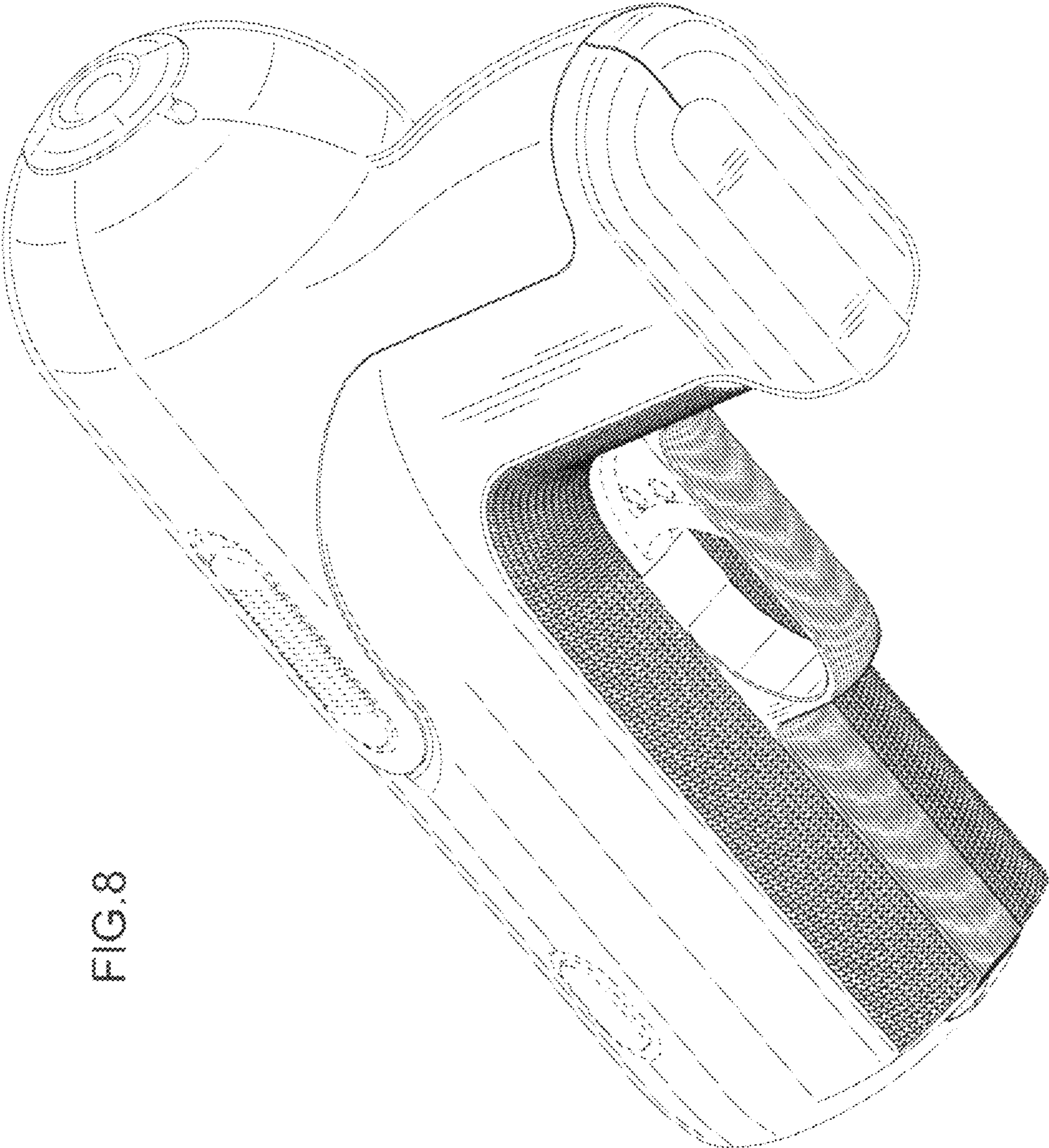


FIG.8