



US00D654114S

(12) **United States Design Patent**
Ariga et al.

(10) **Patent No.:** **US D654,114 S**

(45) **Date of Patent:** **** Feb. 14, 2012**

(54) **REFILL CARTRIDGE FOR A FILM
DISPENSING TOOL FOR STATIONERY**

(75) Inventors: **Hiroyuki Ariga**, Tokyo (JP); **Yasuo Narita**, Tokyo (JP); **Mizuho Uesugi**, Tokyo (JP)

(73) Assignee: **Plus Corporation**, Tokyo (JP)

(**) Term: **14 Years**

(21) Appl. No.: **29/351,576**

(22) Filed: **Dec. 8, 2009**

(30) **Foreign Application Priority Data**

Oct. 5, 2009 (JP) 2009-023203

(51) **LOC (9) Cl.** **19-02**

(52) **U.S. Cl.** **D19/69**

(58) **Field of Classification Search** D19/66,
D19/67, 68, 69, 70; 156/523, 257, 540, 577;
206/411; 225/6, 25, 39, 77; 242/588, 588.1,
242/588.2, 588.3, 588.6, 5

See application file for complete search history.

(56) **References Cited**

U.S. PATENT DOCUMENTS

5,430,904 A * 7/1995 Ono et al. 15/104.94
5,512,128 A * 4/1996 Manusch et al. 156/577
D420,389 S * 2/2000 Shimizu D19/69
D475,747 S * 6/2003 Ono D19/69

D491,986 S * 6/2004 Bain D19/69
D492,730 S * 7/2004 Suzuki D19/69
D506,508 S * 6/2005 Shimizu et al. D19/69
D522,582 S * 6/2006 Shimizu et al. D19/69
D523,479 S * 6/2006 Shimizu et al. D19/69
D532,457 S * 11/2006 Chen D19/69
2011/0120658 A1 * 5/2011 Narita 156/538
2011/0120659 A1 * 5/2011 Narita 156/577

* cited by examiner

Primary Examiner — Austin Murphy

(74) *Attorney, Agent, or Firm* — William J. Sapone;
Coleman Sudol Sapone P.C.

(57) **CLAIM**

I claim the ornamental design for a refill cartridge for a film dispensing tool for stationery, as shown and described.

DESCRIPTION

FIG. 1 is a perspective view of the refill cartridge for a film dispensing tool for stationery showing our new design, the hash marks appearing in the drawings indicating transparent sections of the design;

FIG. 2 is a right side view thereof;

FIG. 3 is a left side view thereof;

FIG. 4 is a bottom view thereof;

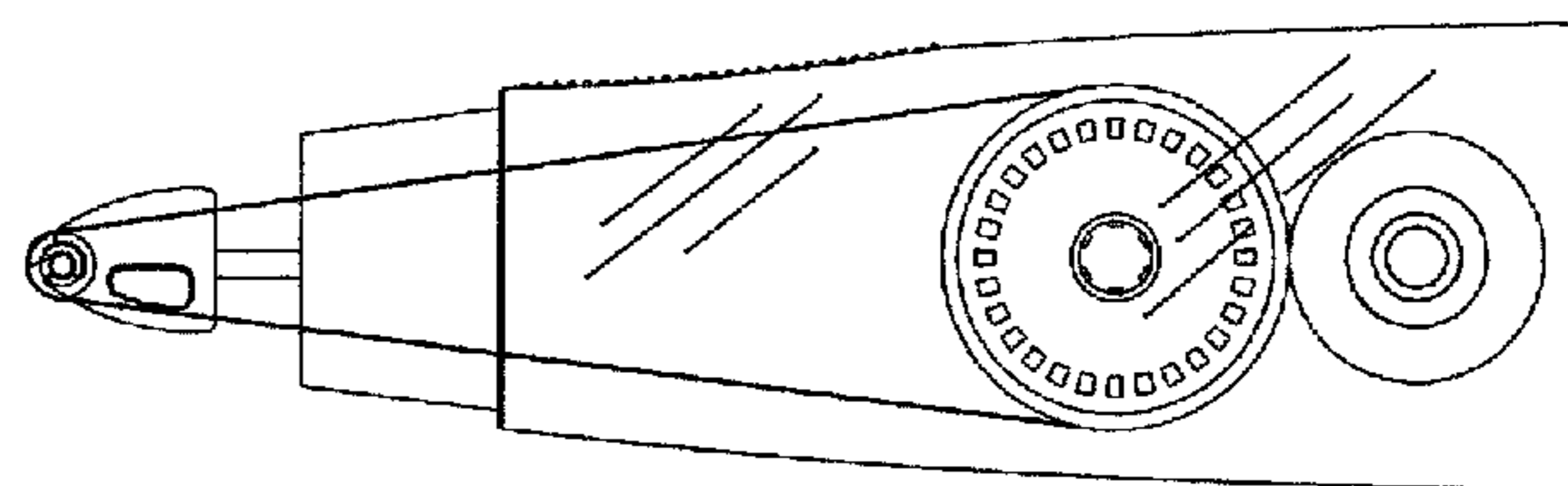
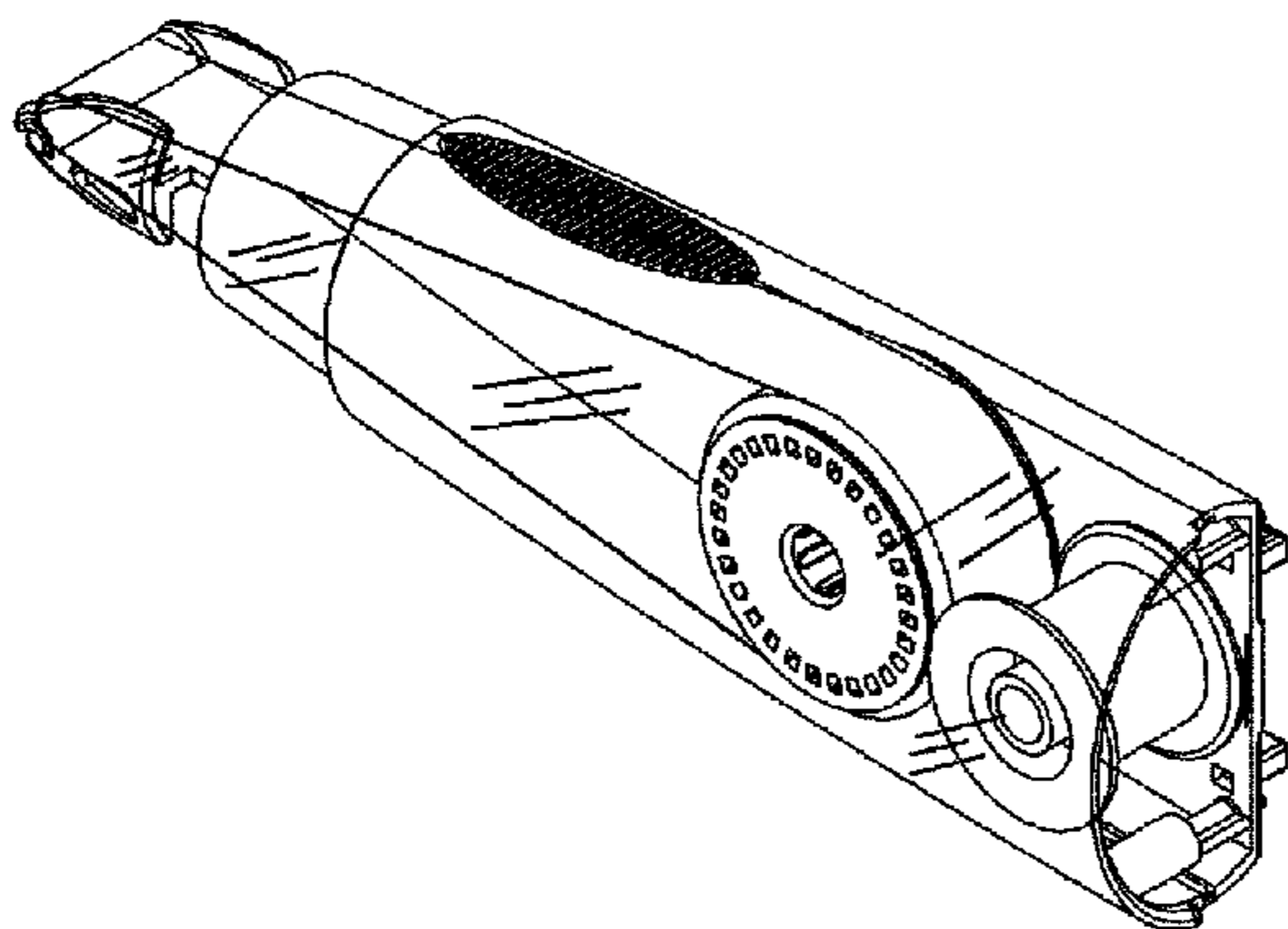
FIG. 5 is a top view thereof;

FIG. 6 is a front view thereof of the film dispensing end of the cartridge; and,

FIG. 7 is a rear view thereof.

The portions of the refill cartridge shown in broken lines form no part of the claimed design.

1 Claim, 2 Drawing Sheets



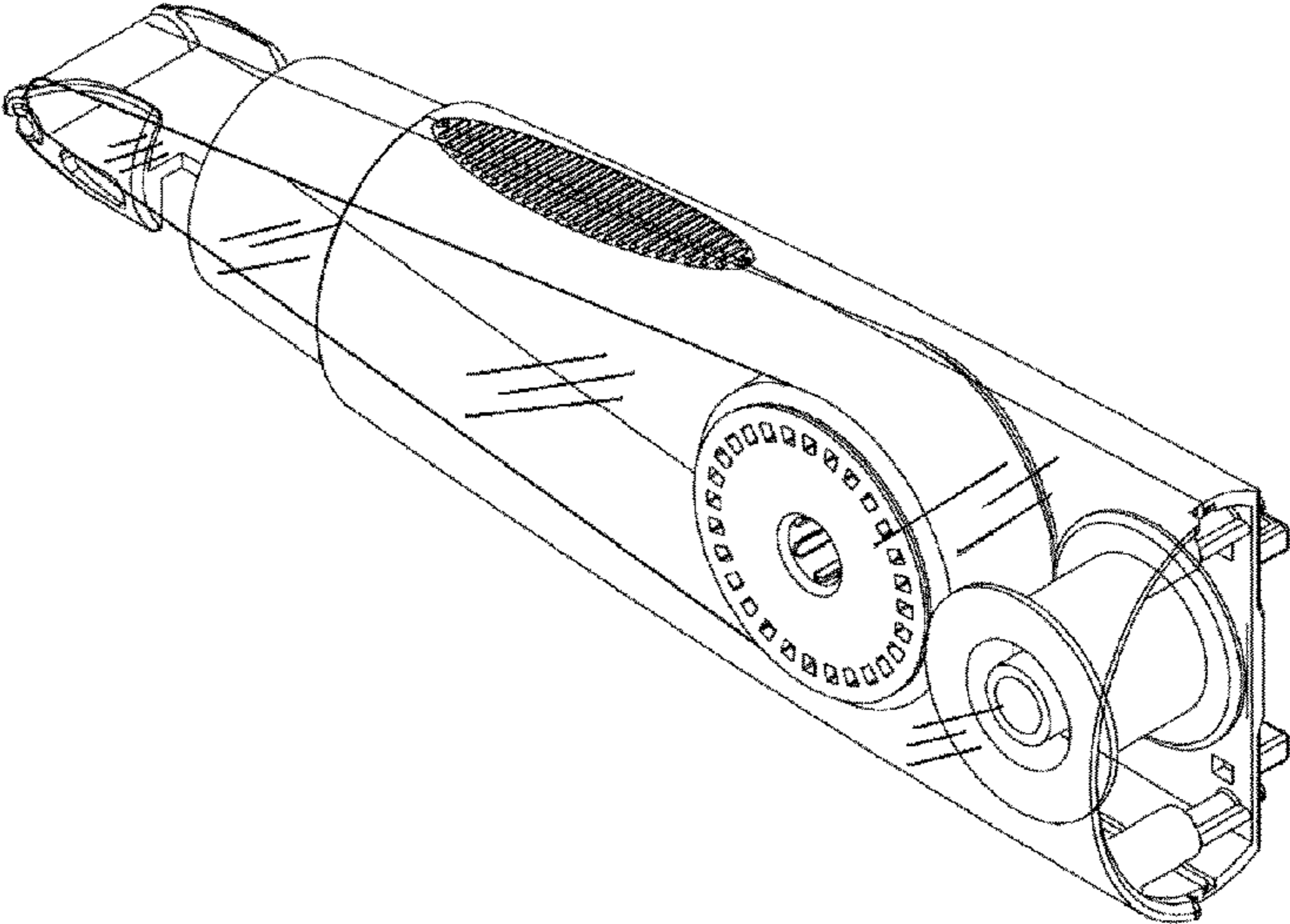


Fig. 1

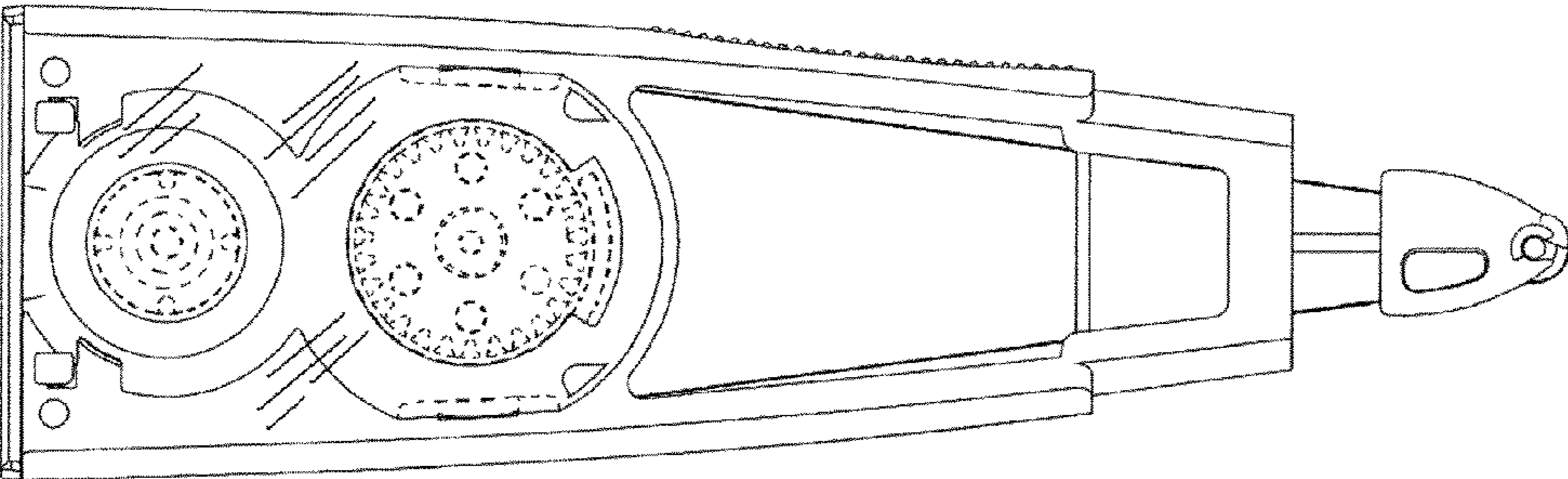


Fig. 2

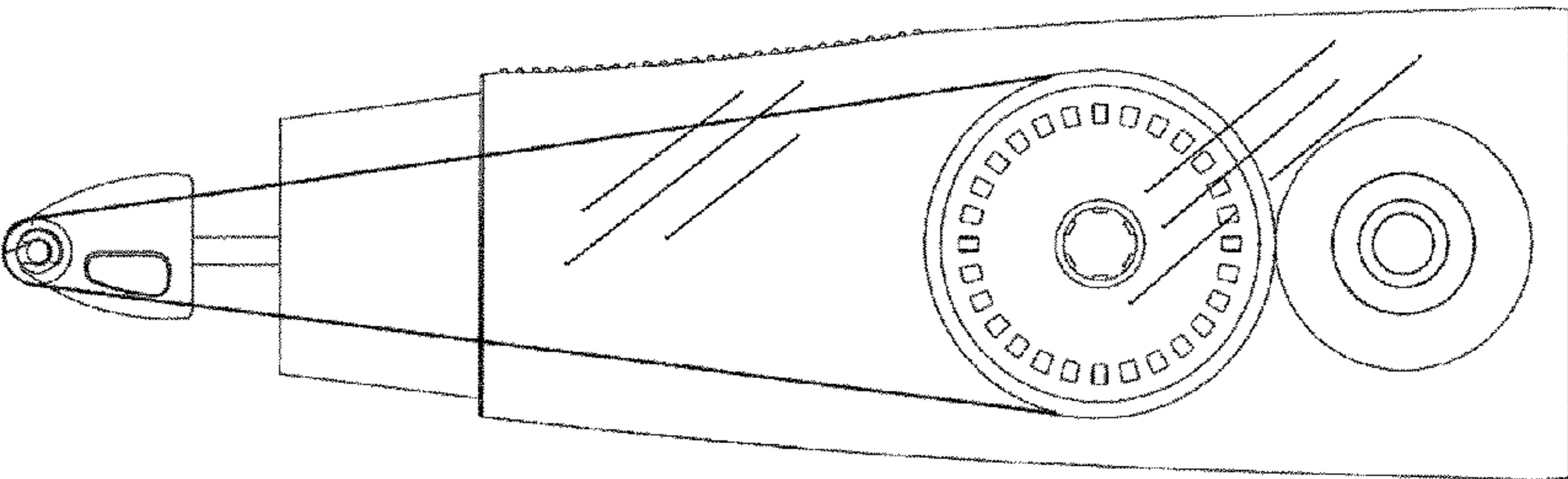


Fig. 3

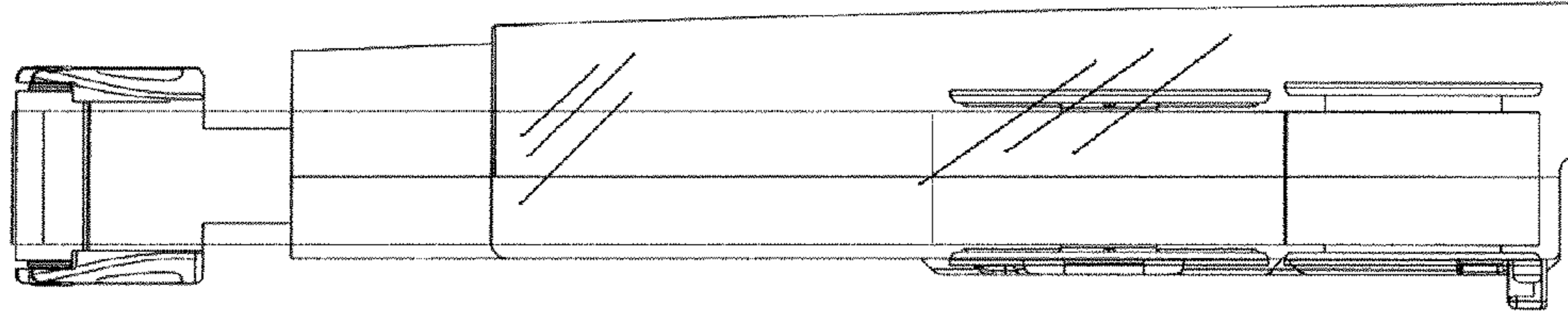


Fig. 4

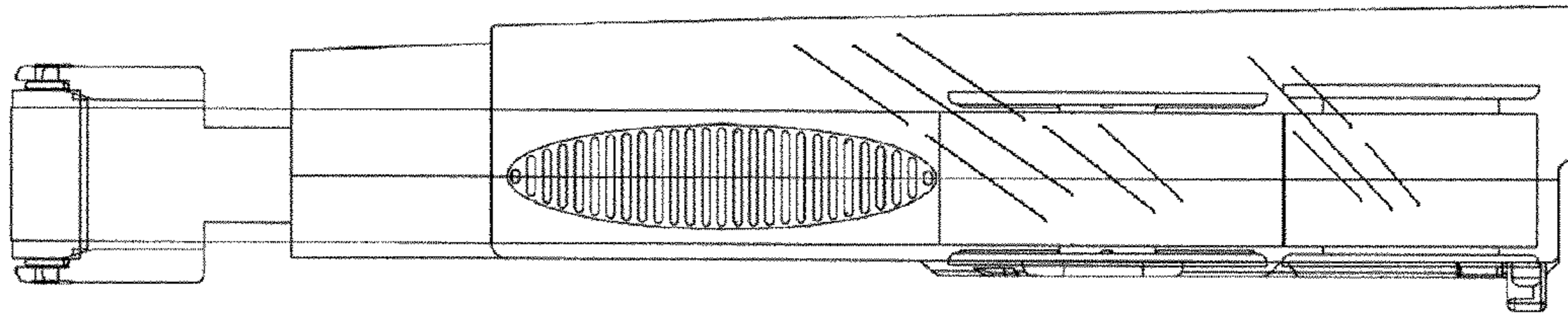


Fig. 5

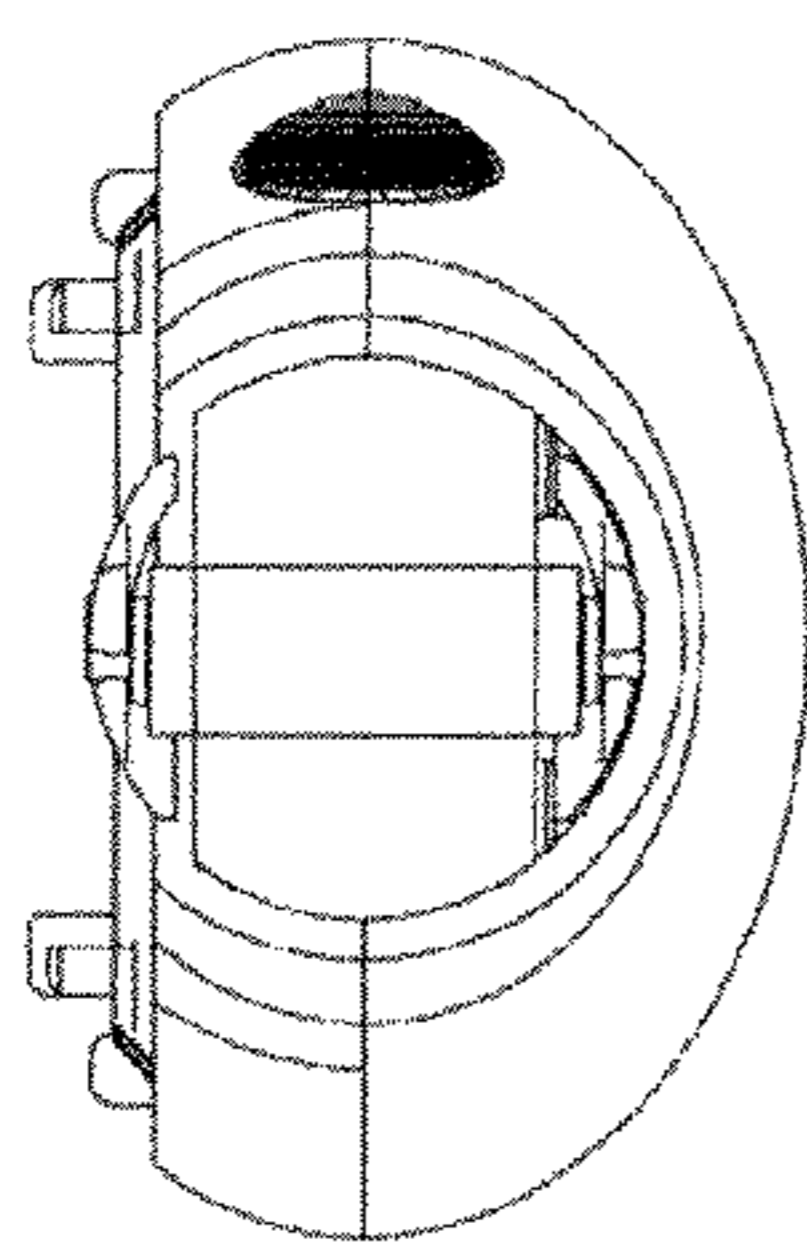


Fig. 6

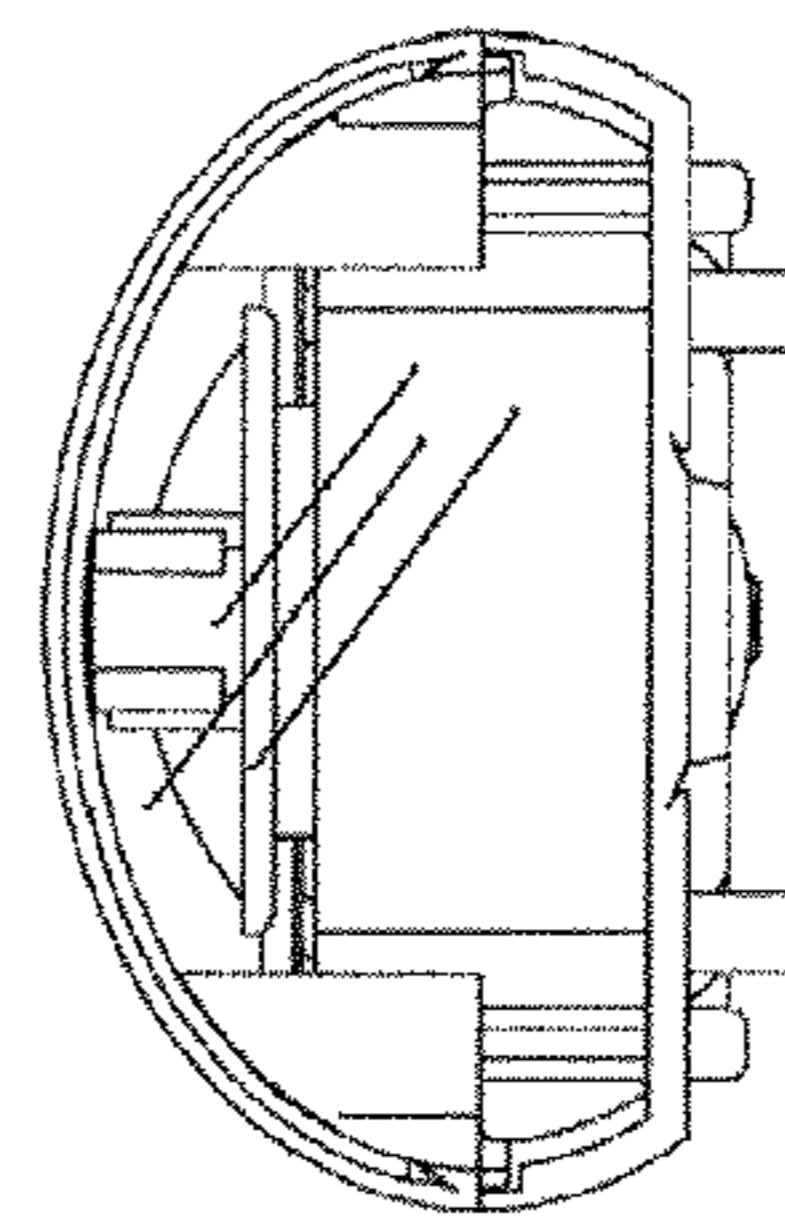


Fig. 7