



US00D654112S

(12) **United States Design Patent**  
**Kanbe et al.**

(10) **Patent No.:** **US D654,112 S**  
(45) **Date of Patent:** **\*\* Feb. 14, 2012**

(54) **INK CARTRIDGE**

(75) Inventors: **Tomohiro Kanbe**, Nagoya (JP); **Yuki Takagi**, Nagoya (JP); **Hirotake Nakamura**, Nagoya (JP)

(73) Assignee: **Brother Industries, Ltd.**, Nagoya (JP)

(\*\*) Term: **14 Years**

(21) Appl. No.: **29/381,069**

(22) Filed: **Dec. 15, 2010**

(30) **Foreign Application Priority Data**

Jun. 17, 2010 (JP) ..... 2010-14841

(51) **LOC (9) Cl.** ..... **18-02**

(52) **U.S. Cl.** ..... **D18/56**

(58) **Field of Classification Search** ..... D18/56;  
347/86-87

See application file for complete search history.

(56) **References Cited**

**U.S. PATENT DOCUMENTS**

7,188,939	B1 *	3/2007	Sasaki	.....	347/86
D540,857	S *	4/2007	Hattori	.....	D18/56
D542,343	S *	5/2007	Hattori et al.	.....	D18/56
7,416,291	B1 *	8/2008	Hattori et al.	.....	347/86
7,419,254	B1 *	9/2008	Hattori et al.	.....	347/86
7,682,007	B2 *	3/2010	Sasaki	.....	347/86
7,942,513	B2 *	5/2011	Kanbe et al.	.....	347/86

D641,400	S *	7/2011	Hattori	.....	D18/56
2008/0239035	A1 *	10/2008	Hattori et al.	.....	347/86
2008/0239036	A1 *	10/2008	Hattori	.....	347/86
2009/0079805	A1 *	3/2009	Hattori	.....	347/86

\* cited by examiner

*Primary Examiner* — Cathy A MacCormac

(74) *Attorney, Agent, or Firm* — Oliff & Berridge, PLC

(57) **CLAIM**

The ornamental design for an ink cartridge, as shown and described.

**DESCRIPTION**

FIG. 1 is a front, top and left-side perspective view of an ink cartridge;

FIG. 2 is a front view thereof;

FIG. 3 is a top view thereof;

FIG. 4 is a left-side view thereof;

FIG. 5 is a rear view thereof;

FIG. 6 is a bottom view thereof;

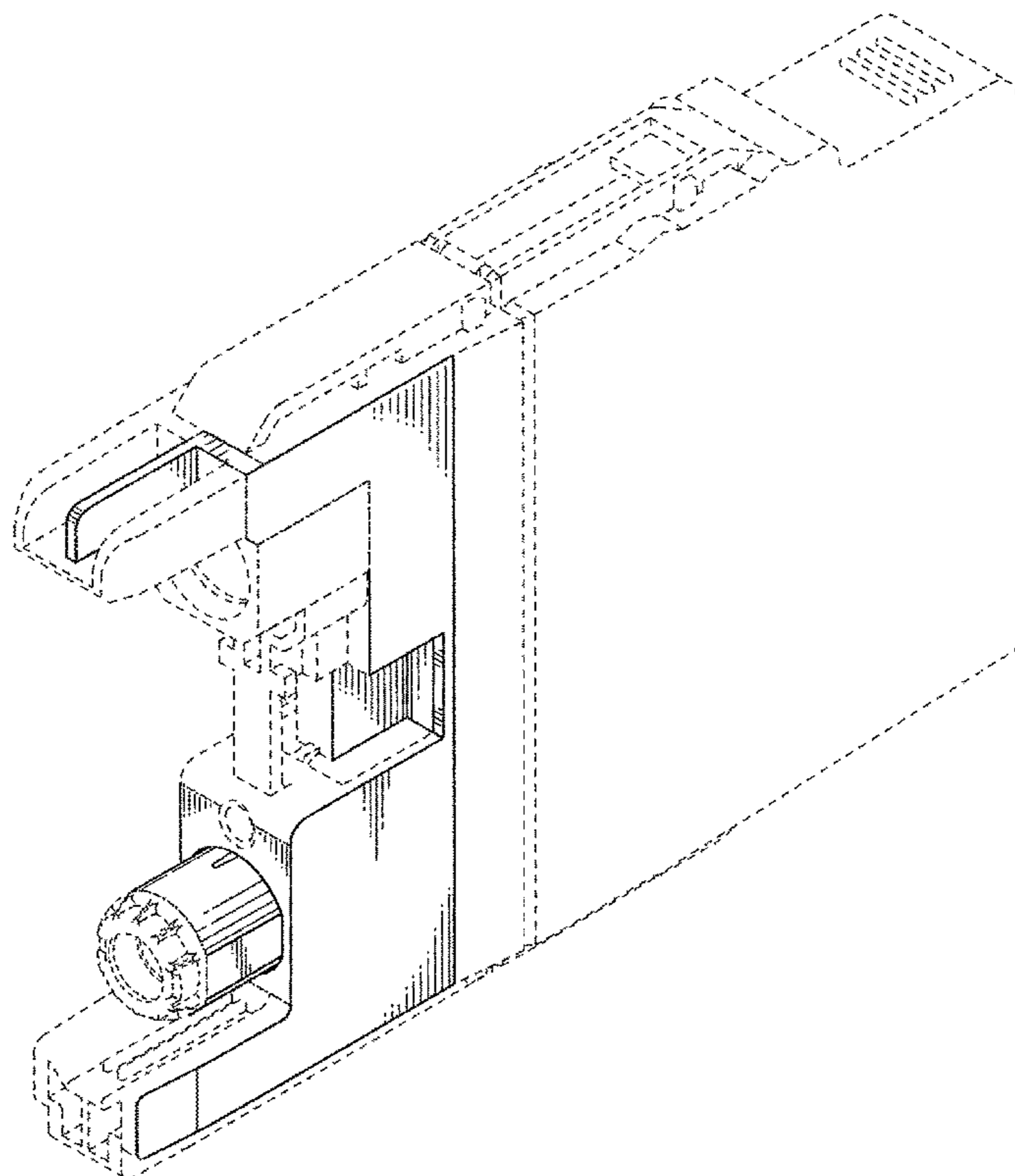
FIG. 7 is a rear, bottom and right-side perspective view thereof; and,

FIG. 8 is an enlarged partial cross-sectional view thereof taken along the lines 8-8 in FIG. 4 and designated by the area indicated by lines 8'-8' and 8''-8'' in FIG. 5.

The broken lines depict environmental subject matter only and form no part of the claimed design.

The dot chain lines depict boundaries between claimed and unclaimed surfaces and form no part of the claimed design.

**1 Claim, 7 Drawing Sheets**



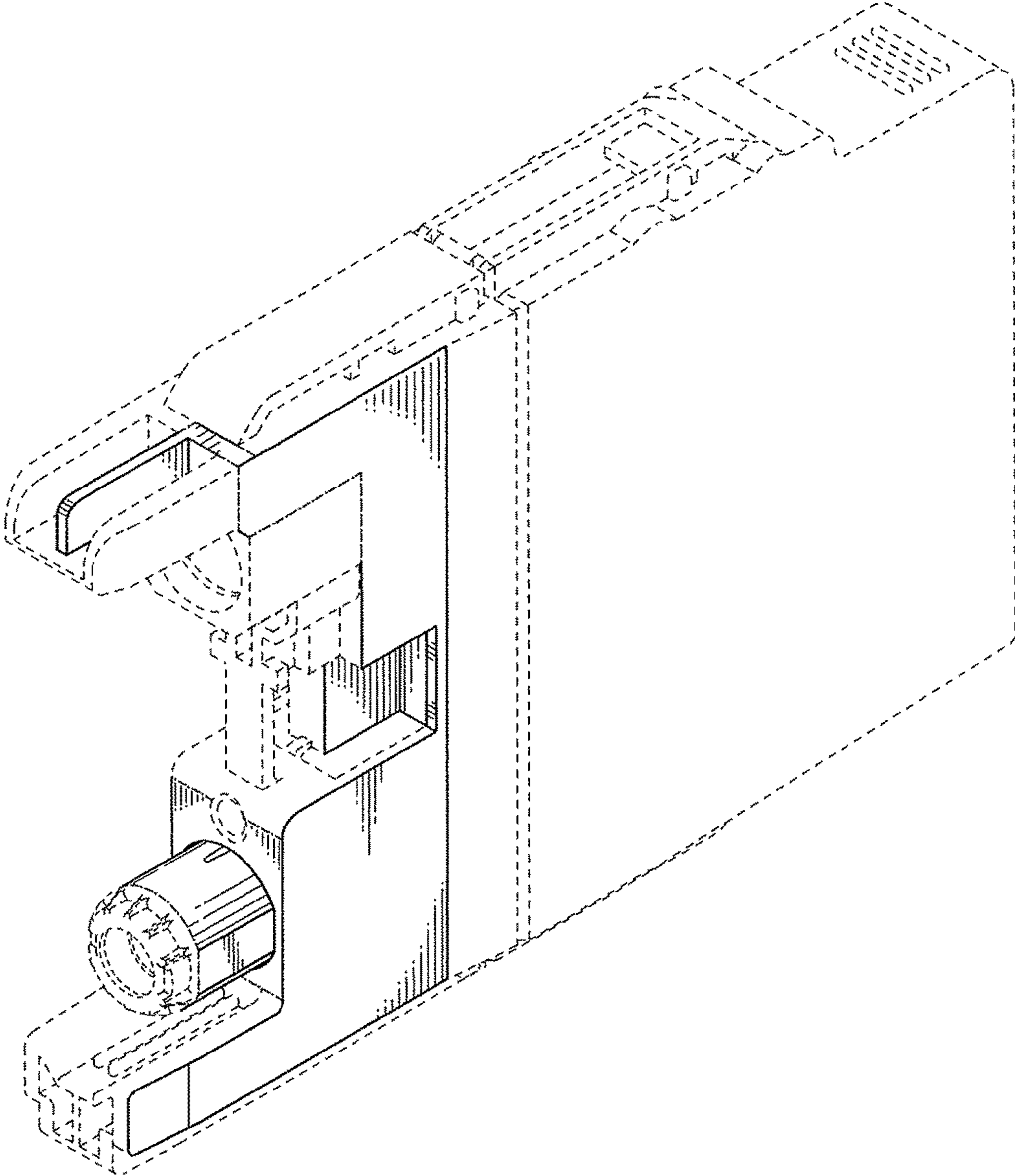


FIG. 1

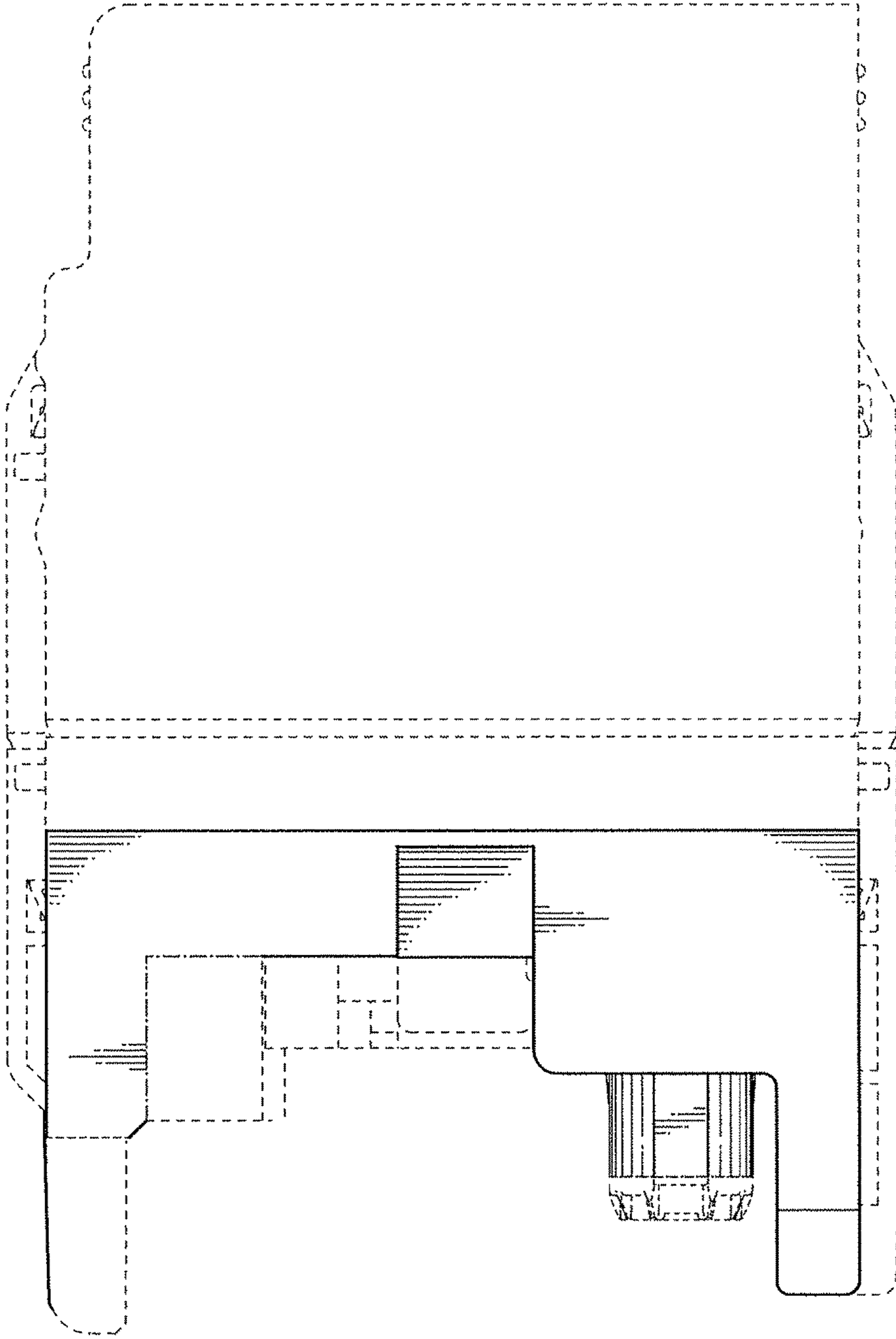


FIG. 2

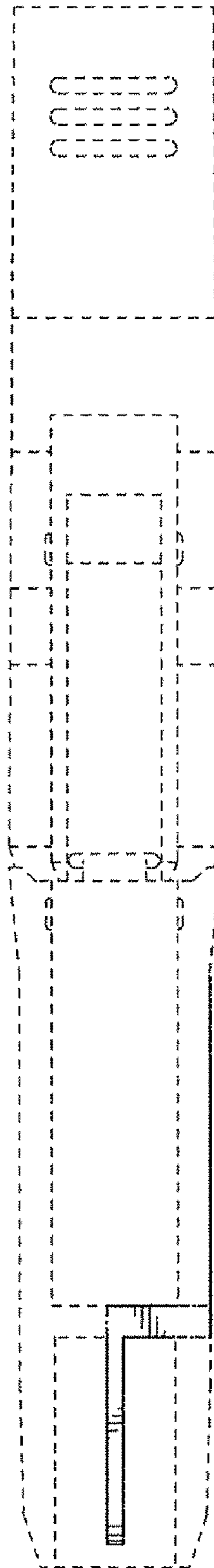


FIG. 3

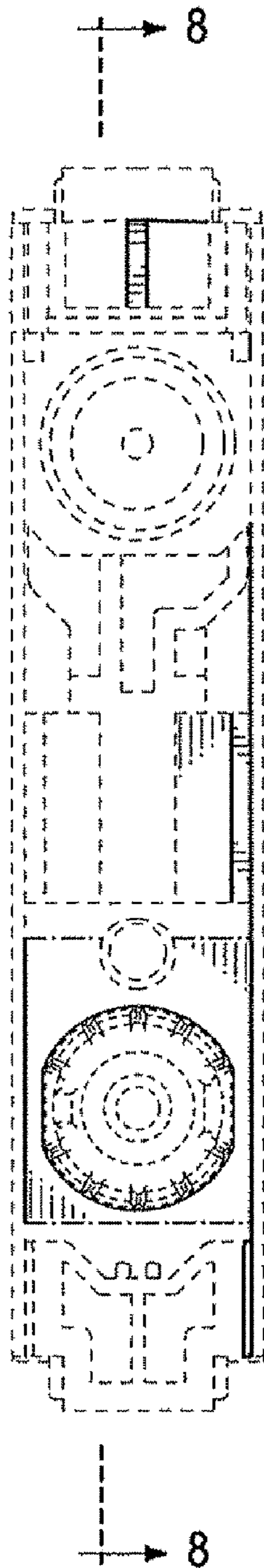


FIG. 4

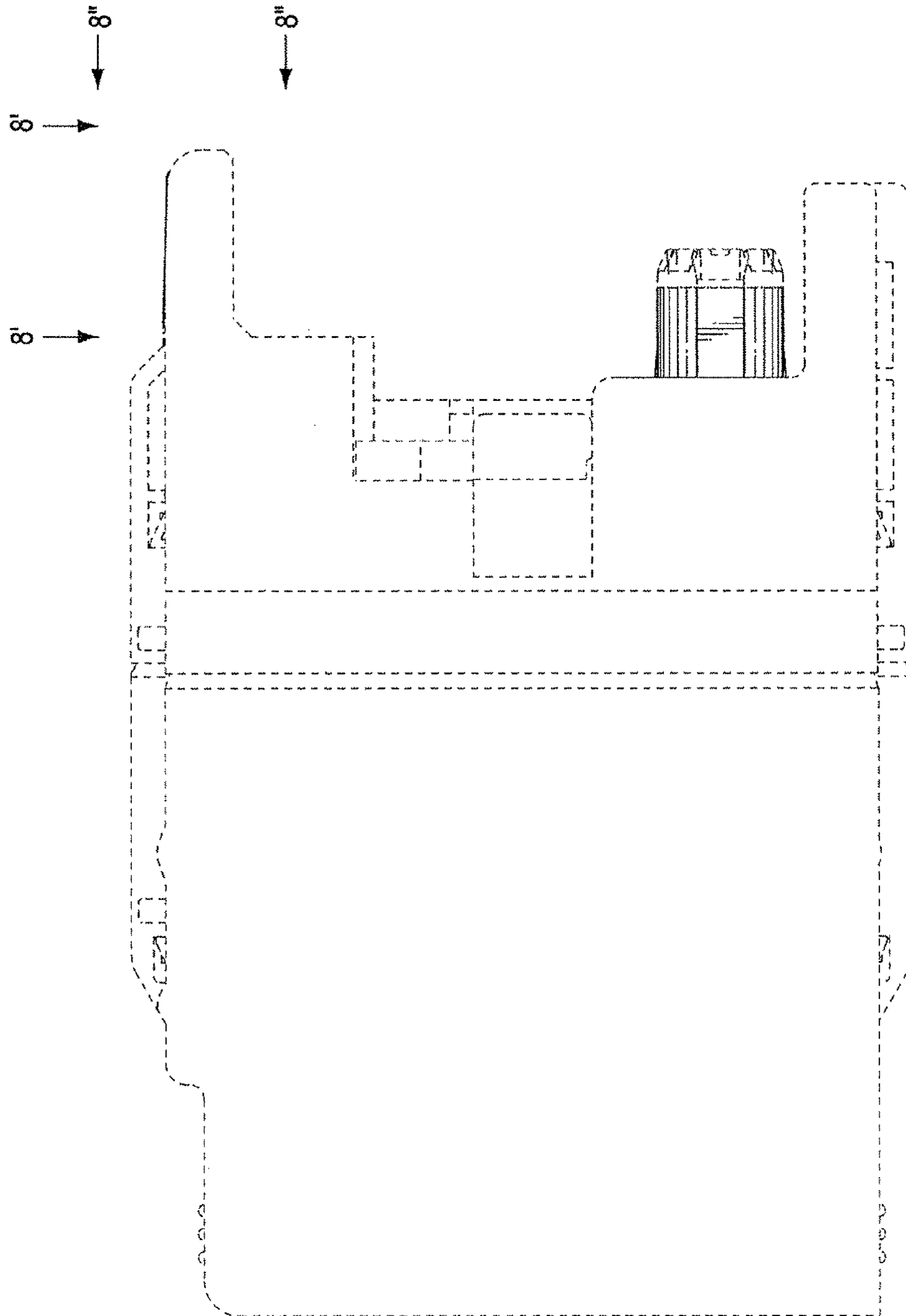


FIG. 5

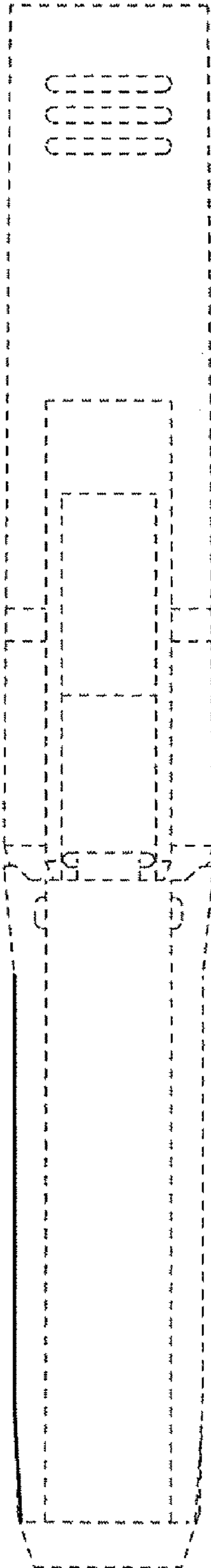


FIG. 6

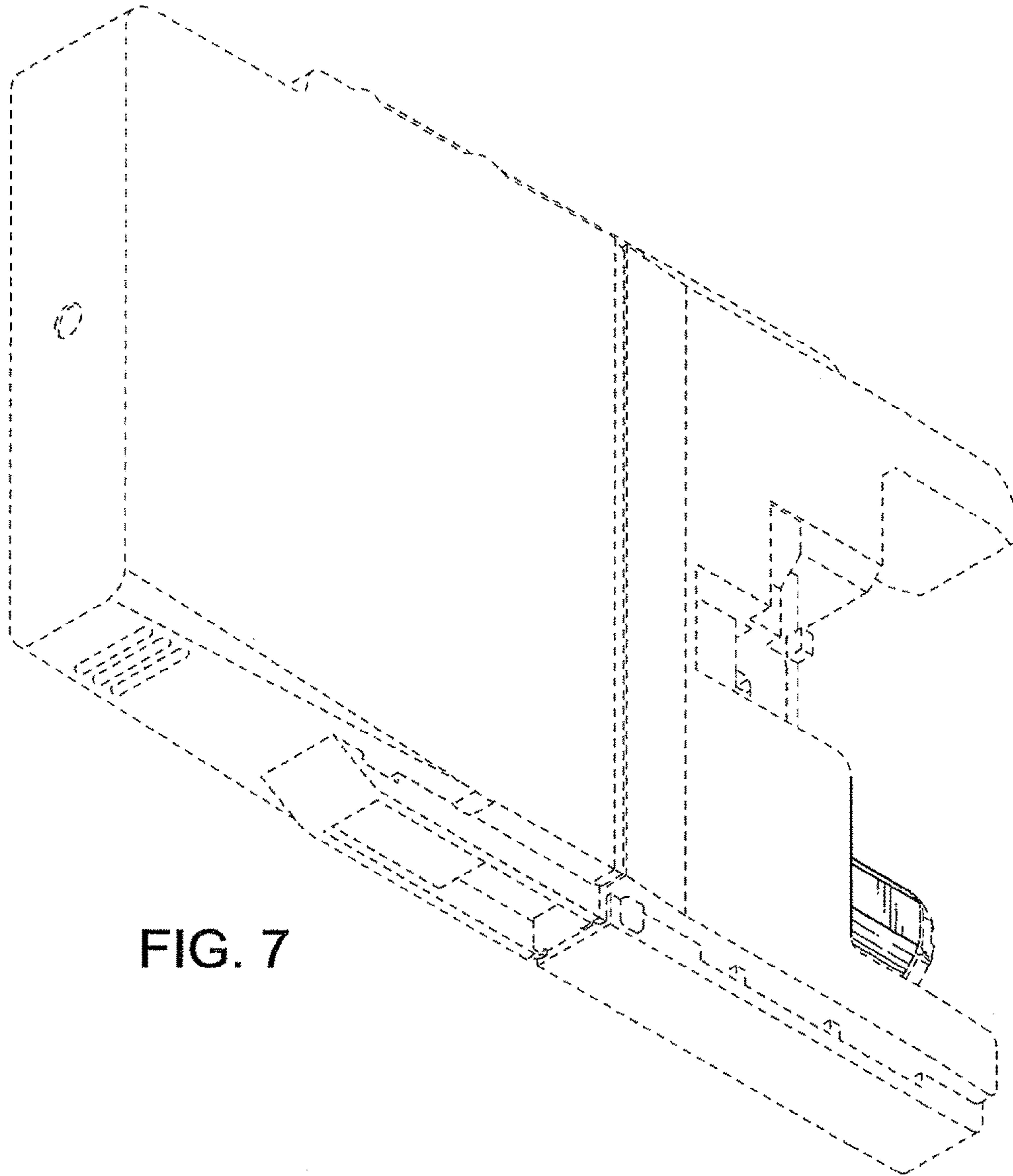


FIG. 7

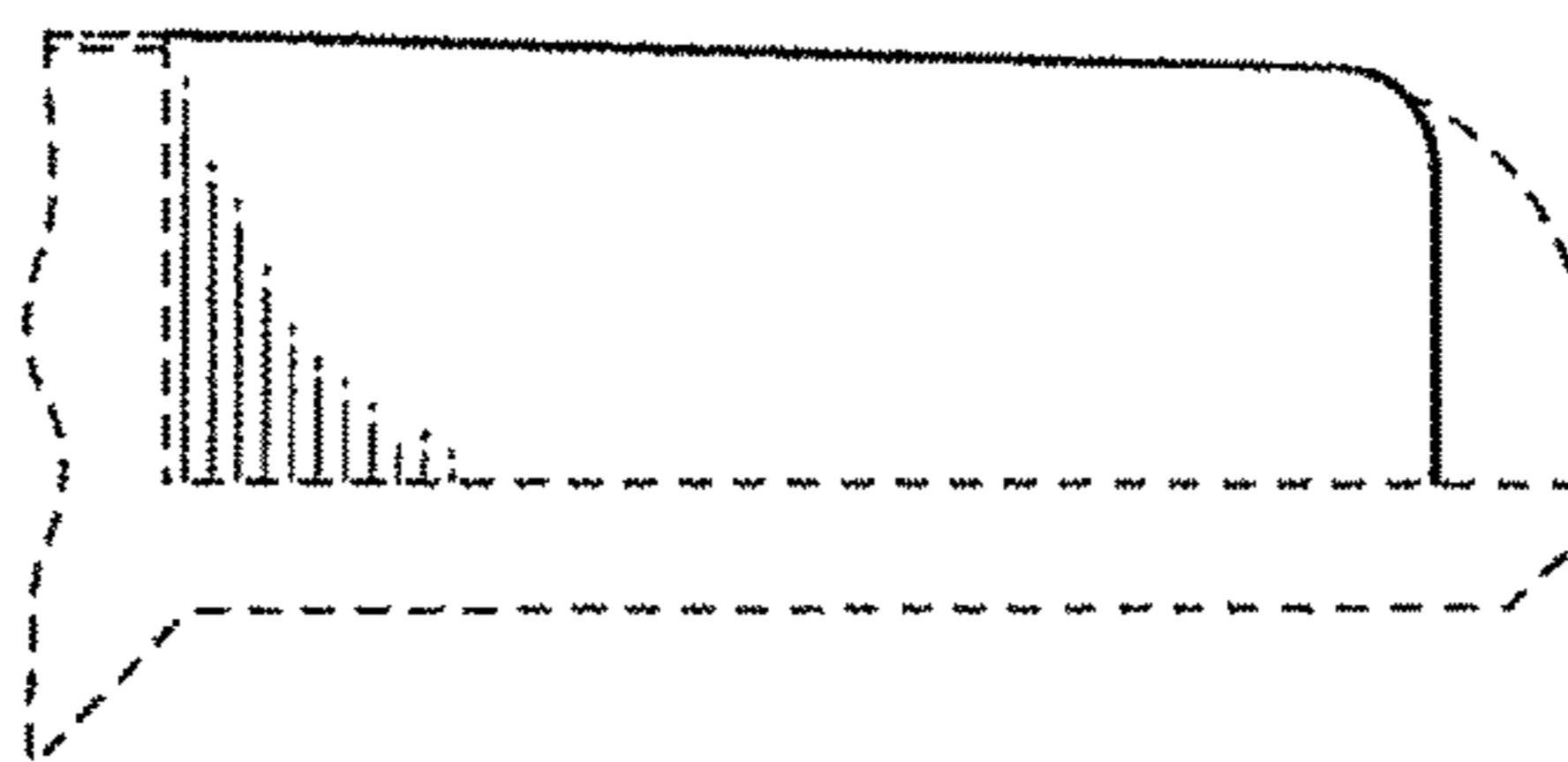


FIG. 8