



US00D654111S

(12) **United States Design Patent**
Amberg et al.

(10) **Patent No.:** **US D654,111 S**
(45) **Date of Patent:** **** Feb. 14, 2012**

(54) **TONER CONTAINER**

(75) Inventors: **Joseph A. Amberg**, Chanhassen, MN (US); **Terry D. Erickson**, St. Paul, MN (US); **Daniel E. Meyer**, Minneapolis, MN (US)

(73) Assignee: **Katun Corporation**, Minneapolis, MN (US)

(**) Term: **14 Years**

(21) Appl. No.: **29/383,665**

(22) Filed: **Jan. 20, 2011**

(51) **LOC (9) Cl.** **16-03**

(52) **U.S. Cl.** **D18/43**

(58) **Field of Classification Search** D14/471;
D18/12, 36, 40, 43, 44, 56; 222/DIG. 1;
347/197, 222; 399/24-28, 107-112, 119,
399/121, 122, 222-224

See application file for complete search history.

(56) **References Cited**

U.S. PATENT DOCUMENTS

D531,662 S	11/2006	Tsuda et al.	
D532,037 S	11/2006	Tsuda et al.	
D590,871 S	4/2009	Yoshizawa	
D591,336 S	4/2009	Kurenuma et al.	
D591,337 S	4/2009	Yoshizawa	
D596,225 S	7/2009	Kurenuma et al.	
D597,130 S	7/2009	Yoshizawa	
D598,949 S *	8/2009	Kurenuma et al.	D18/43
D599,845 S *	9/2009	Kurenuma et al.	D18/43
D600,743 S	9/2009	Yoshizawa	
D602,519 S *	10/2009	Kurenuma et al.	D18/43
D602,984 S	10/2009	Yoshizawa	

D602,985 S	10/2009	Yoshizawa et al.	
D606,583 S *	12/2009	Kurenuma et al.	D18/43
D607,044 S	12/2009	Kurenuma et al.	
D607,045 S	12/2009	Kurenuma et al.	
D617,828 S	6/2010	Kurenuma et al.	
7,826,777 B2 *	11/2010	Taguchi et al.	399/258
D636,436 S *	4/2011	Takami	D18/43
D636,813 S *	4/2011	Kikuchi et al.	D18/43

OTHER PUBLICATIONS

“U.S. Appl. No. 29/383,653, Non Final Office Action mailed Aug. 18, 2011”, 9 pgs.

* cited by examiner

Primary Examiner — Garth Rademaker

(74) *Attorney, Agent, or Firm* — Schwegman, Lundberg & Woessner, P.A.

(57) **CLAIM**

The ornamental design for a toner container, as shown and described.

DESCRIPTION

FIG. 1 is a perspective view of the toner container, showing the new design.

FIG. 2 is a perspective view of the toner container of FIG. 1, shown at an enlarged scale.

FIG. 3 is a first side view of the toner container of FIG. 1.

FIG. 4 is a second side view of the toner container of FIG. 1.

FIG. 5 is a top view of the toner container of FIG. 1.

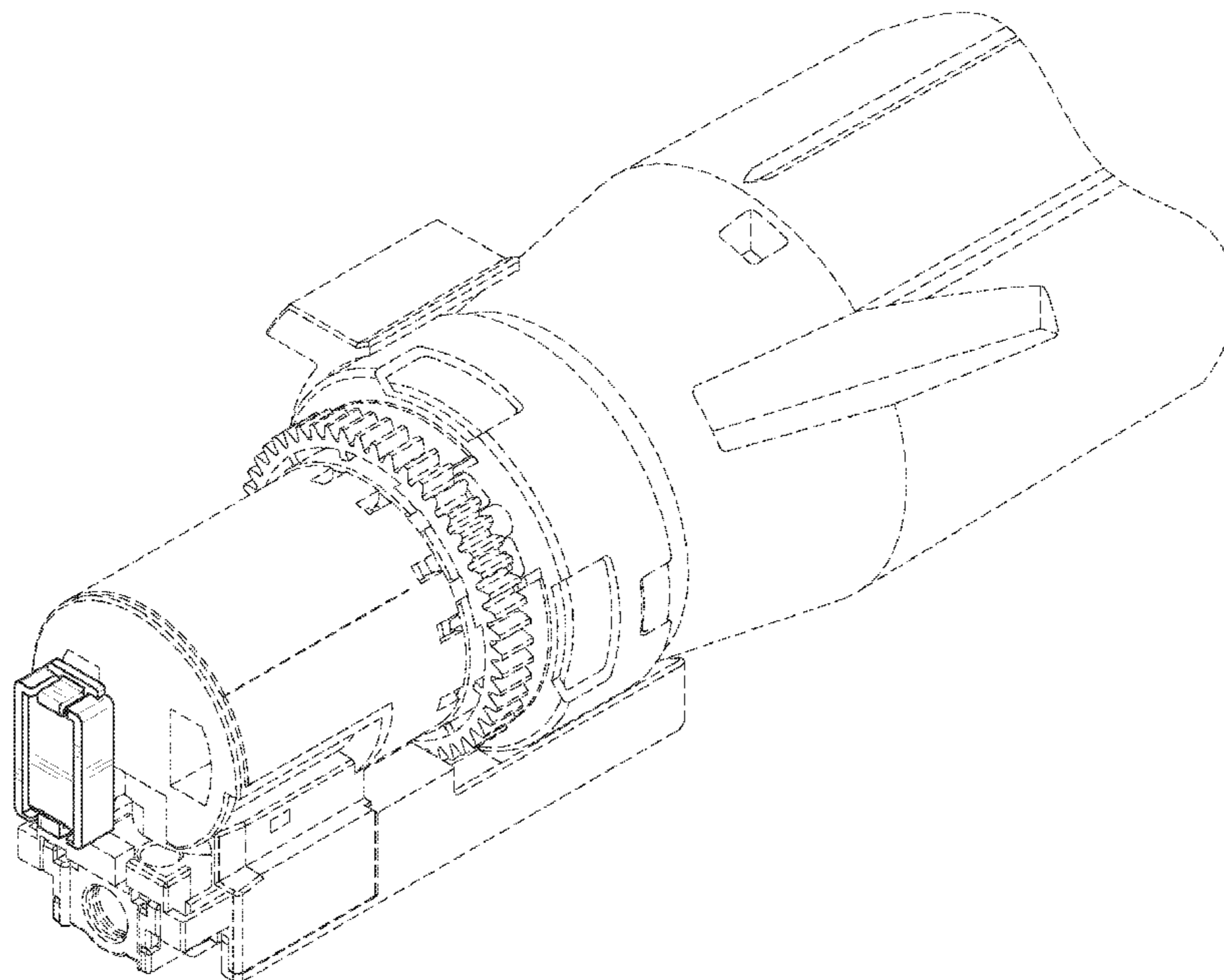
FIG. 6 is a bottom view of the toner container of FIG. 1.

FIG. 7 is a front view of the toner container of FIG. 1; and,

FIG. 8 is a back view of the toner container of FIG. 1.

The broken lines depict environmental subject matter only and form no part of the claimed design.

1 Claim, 7 Drawing Sheets



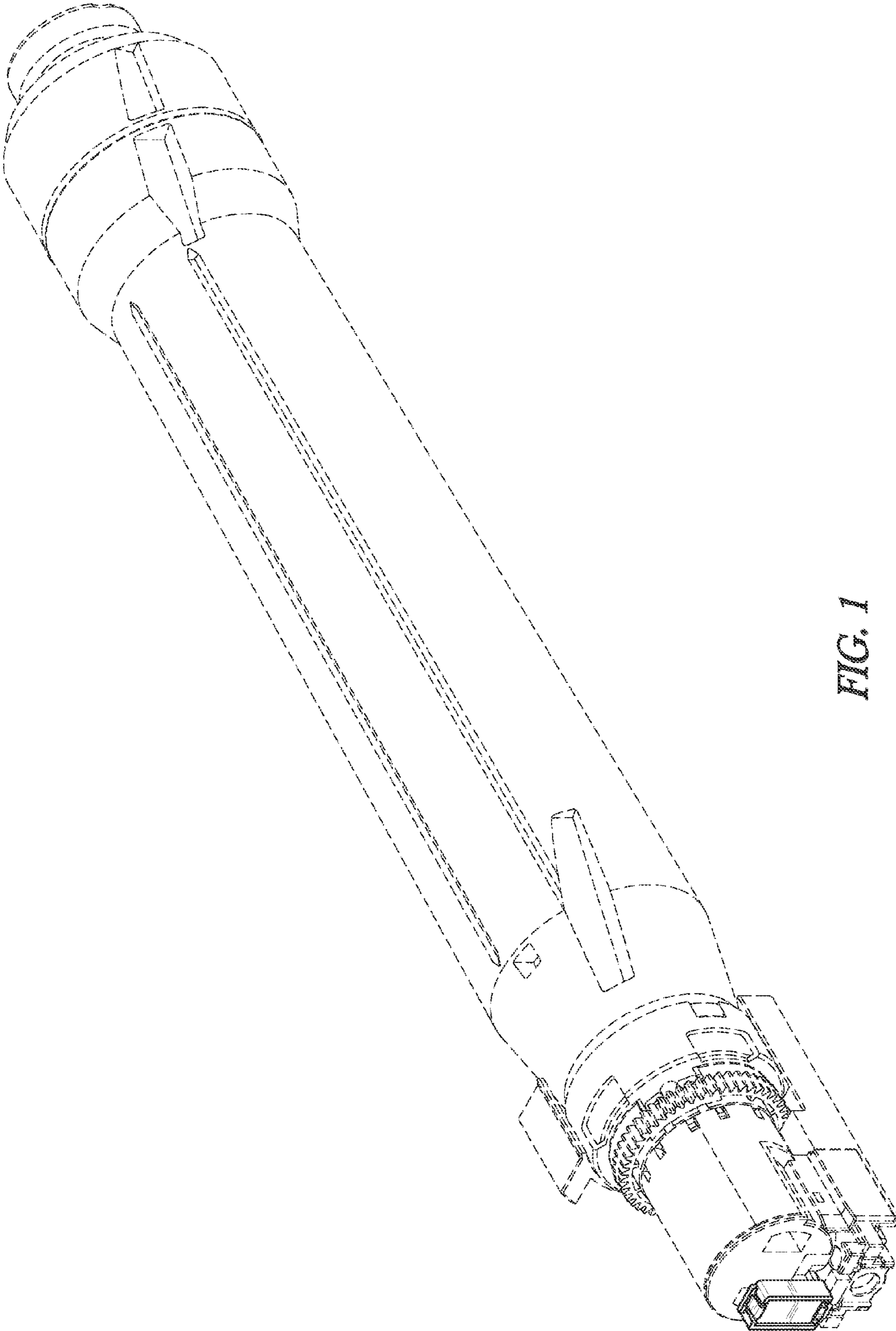


FIG. 1

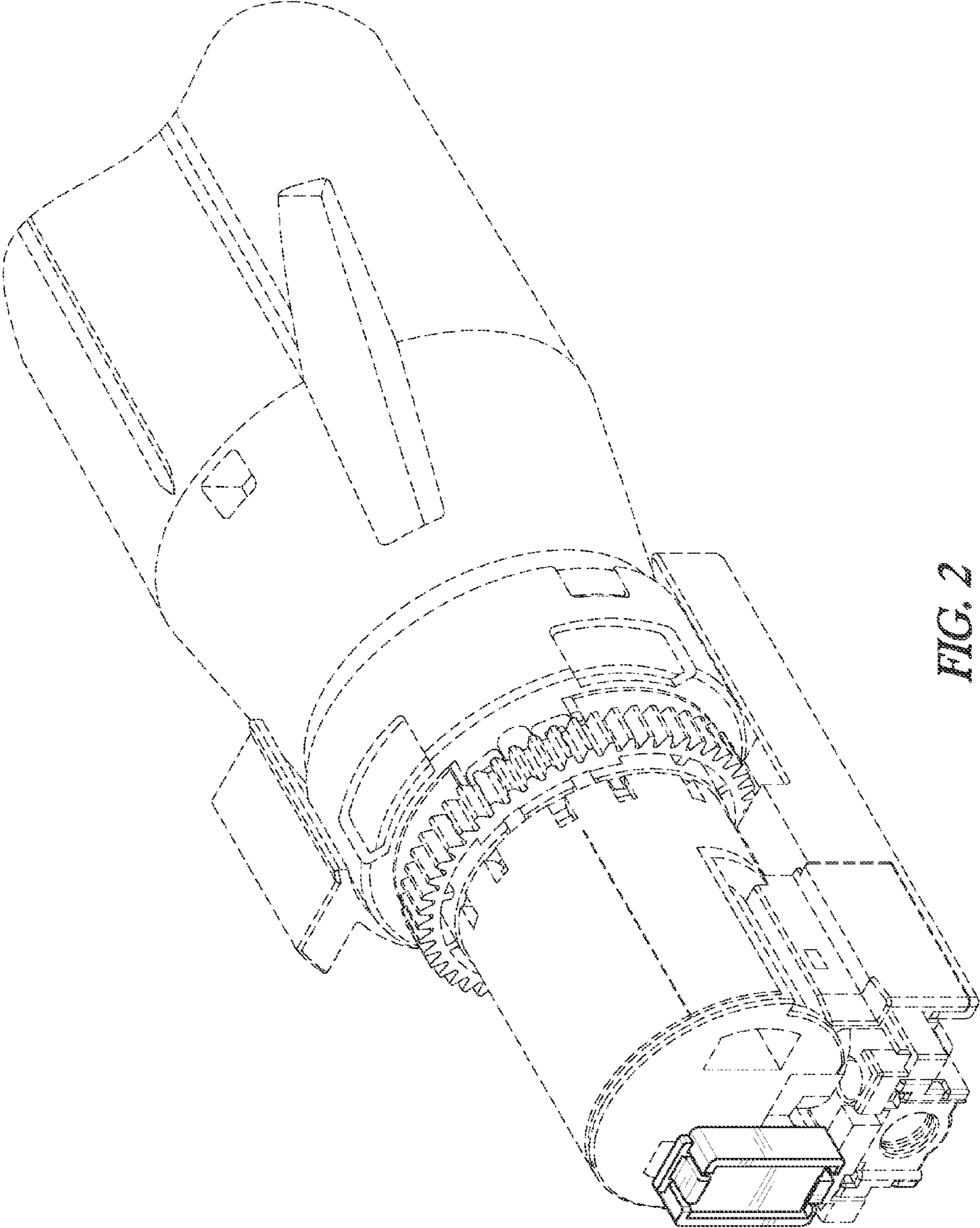


FIG. 2

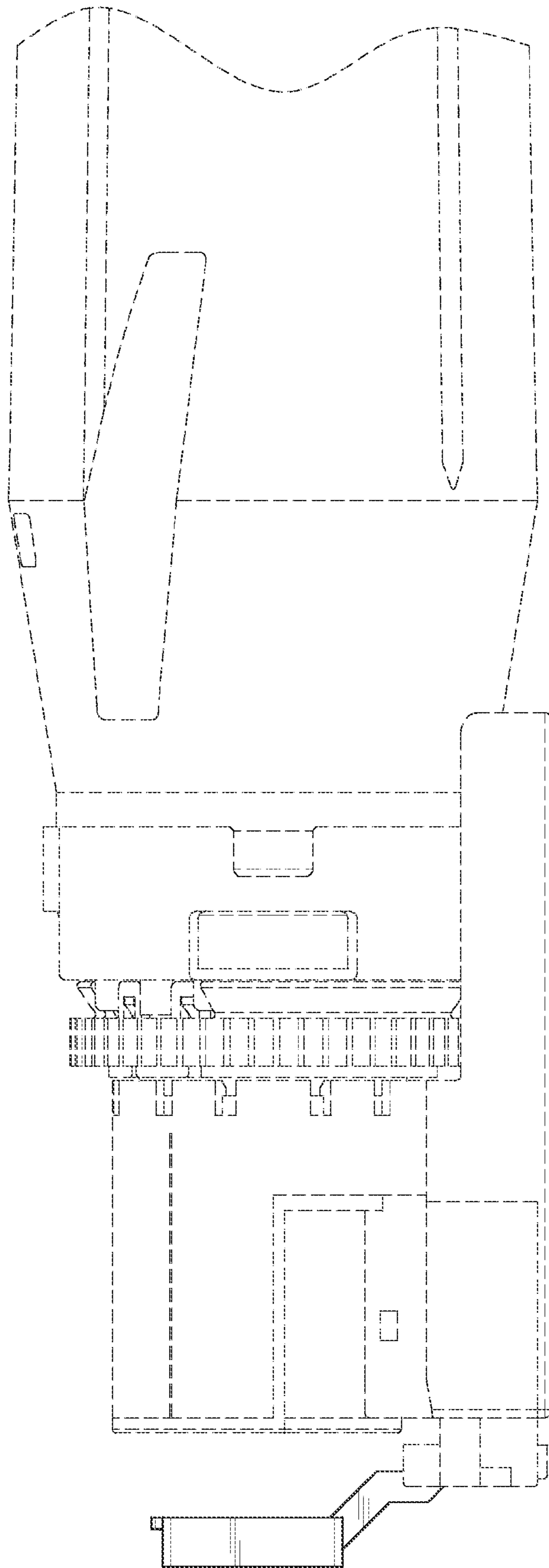


FIG. 3

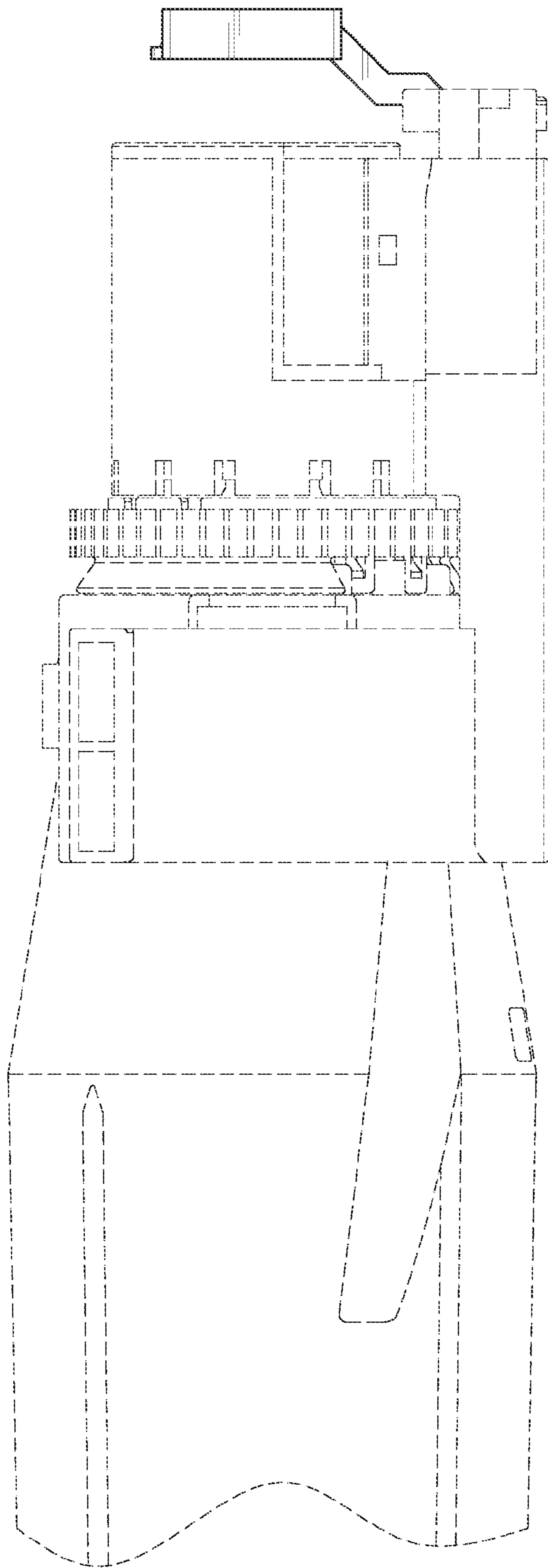


FIG. 4

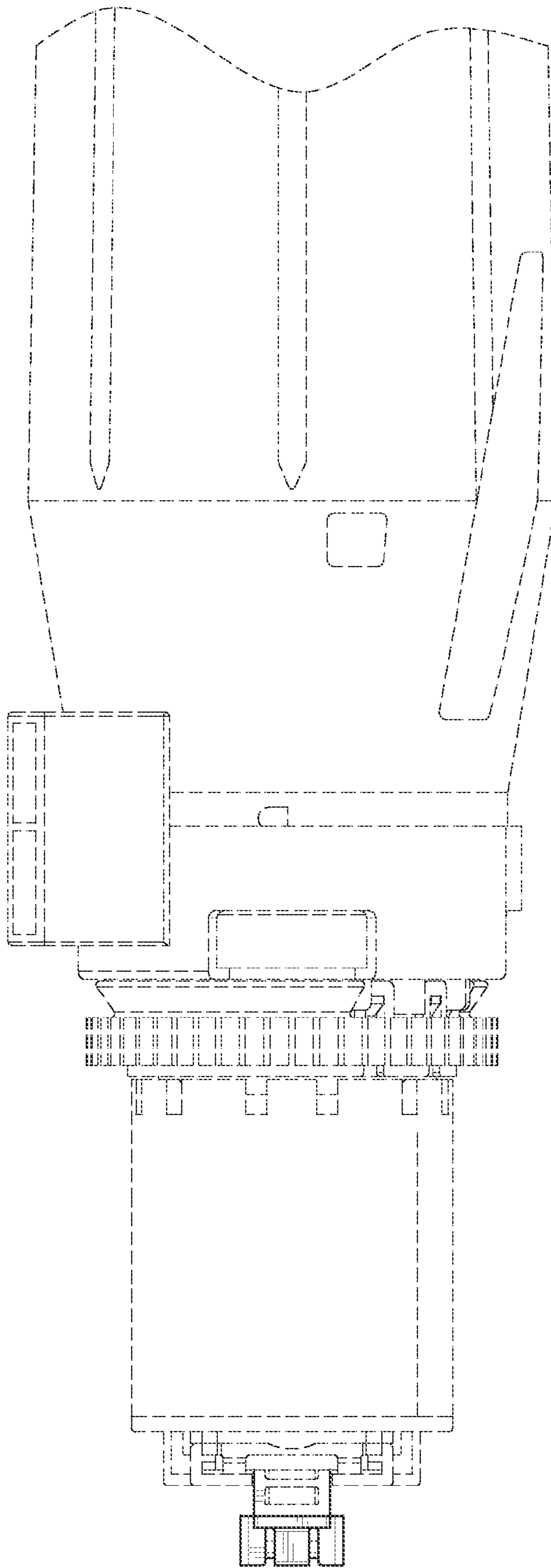


FIG. 5

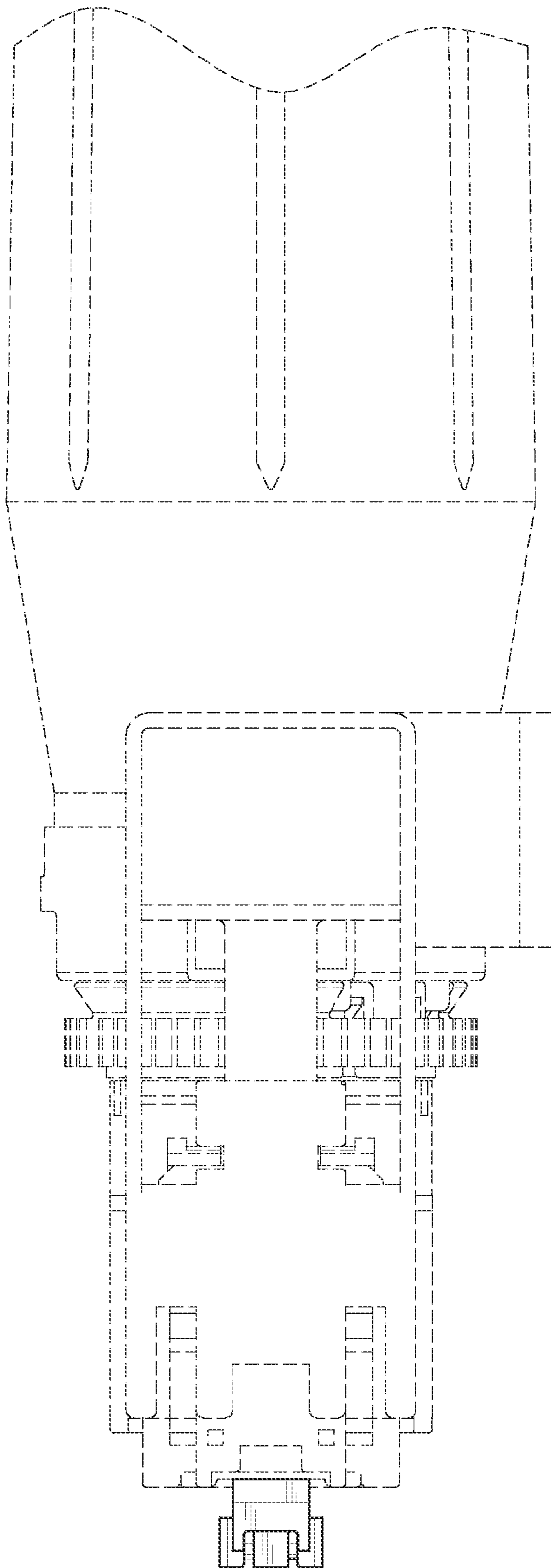


FIG. 6

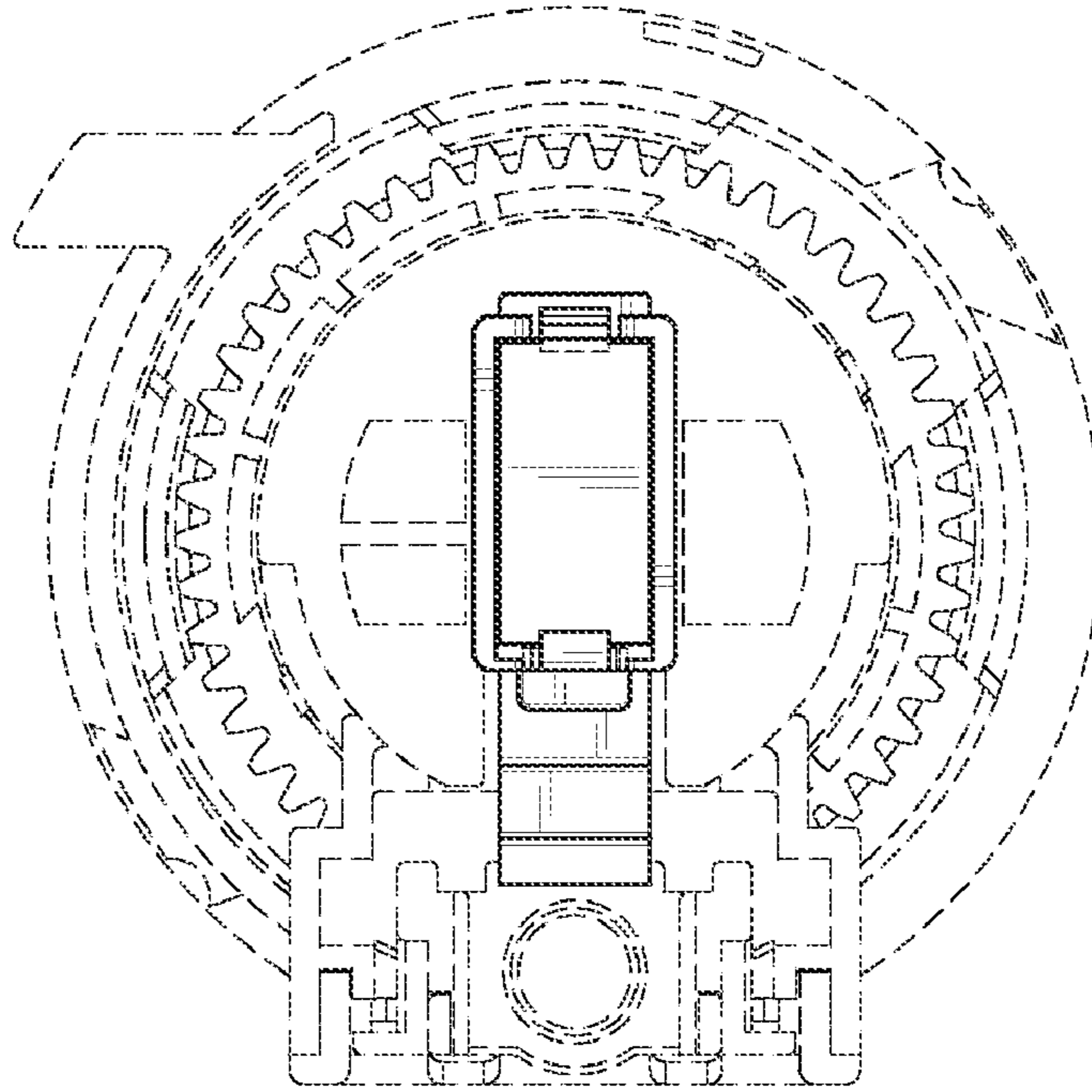


FIG. 7

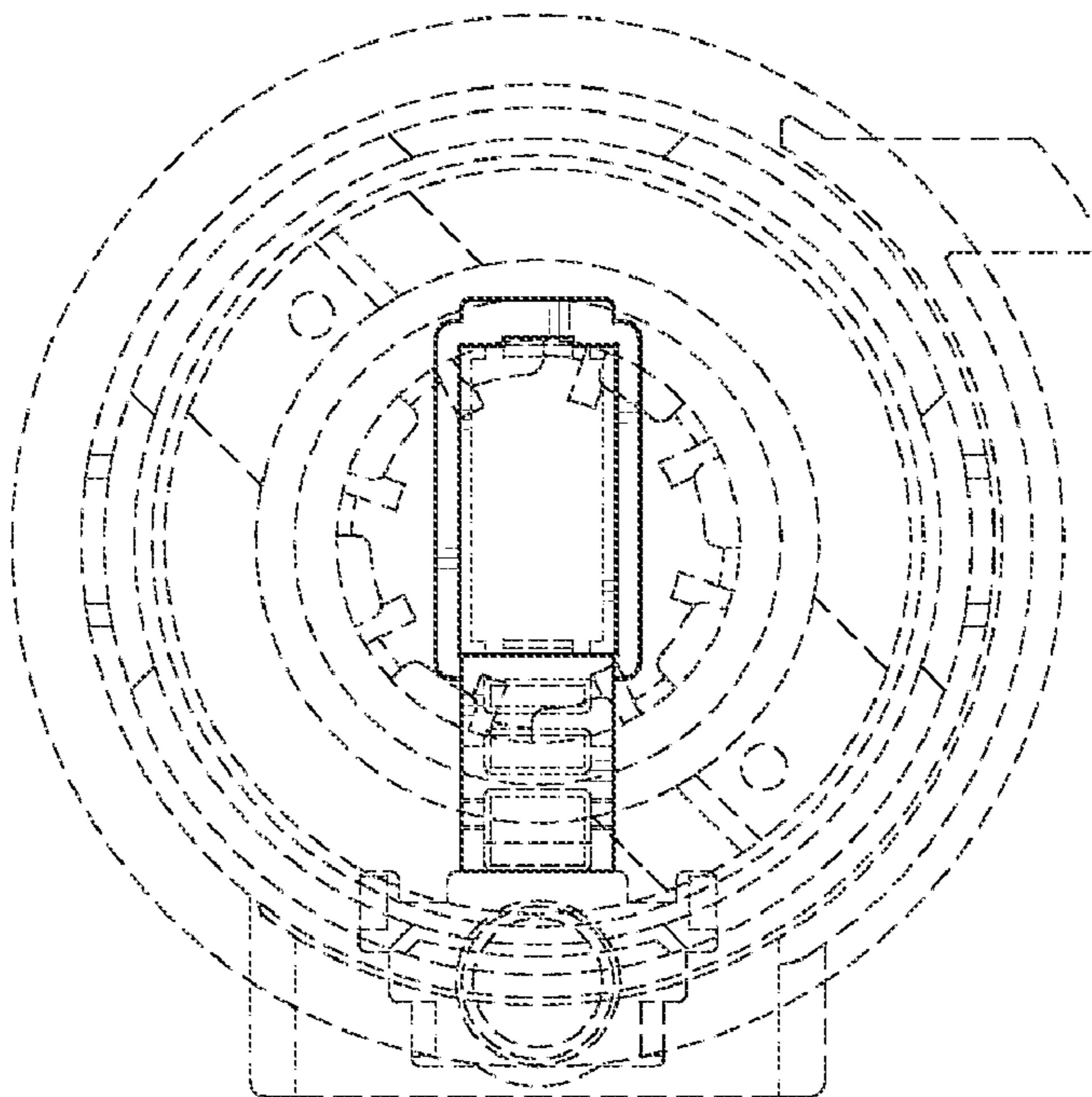


FIG. 8