



US00D654110S

(12) **United States Design Patent**  
**Jannard et al.**

(10) **Patent No.:** **US D654,110 S**

(45) **Date of Patent:** **\*\* Feb. 14, 2012**

(54) **CAMERA COMPONENT**

(75) Inventors: **James H. Jannard**, Las Vegas, NV (US); **Matthew Gene Tremblay**, Laguna Beach, CA (US); **Peter Jarred Land**, Lake Forest, CA (US)

(73) Assignee: **Red.com, Inc.**, Irvine, CA (US)

(\*\*) Term: **14 Years**

(21) Appl. No.: **29/374,828**

(22) Filed: **Oct. 11, 2011**

**Related U.S. Application Data**

(62) Division of application No. 29/348,319, filed on Dec. 18, 2009, now Pat. No. Des. 647,945.

(51) **LOC (9) Cl.** ..... **16-01**

(52) **U.S. Cl.** ..... **D16/237**

(58) **Field of Classification Search** ..... D16/200–205, D16/208, 218, 237–250; 348/143, 151, 373–376; 358/906; 396/247, 427, 535–541

See application file for complete search history.

(56) **References Cited**

**U.S. PATENT DOCUMENTS**

|                 |         |                |
|-----------------|---------|----------------|
| D298,760 S      | 11/1988 | Yoshida et al. |
| D357,695 S      | 4/1995  | Ott            |
| D478,608 S      | 8/2003  | Briks et al.   |
| 2008/0159732 A1 | 7/2008  | Young et al.   |

*Primary Examiner* — Nanda Bondade

(74) *Attorney, Agent, or Firm* — Gregory K. Nelson

(57) **CLAIM**

The ornamental design for a camera component, as shown and described.

**DESCRIPTION**

FIG. 1 is a front perspective view of the camera component of the present invention;

FIG. 2 is a rear perspective view of the camera component of FIG. 1;

FIG. 3 is a front elevational view of the camera component of FIG. 1;

FIG. 4 is a rear elevational view of the camera component of FIG. 1;

FIG. 5 is a left-side elevational view of the camera component of FIG. 1;

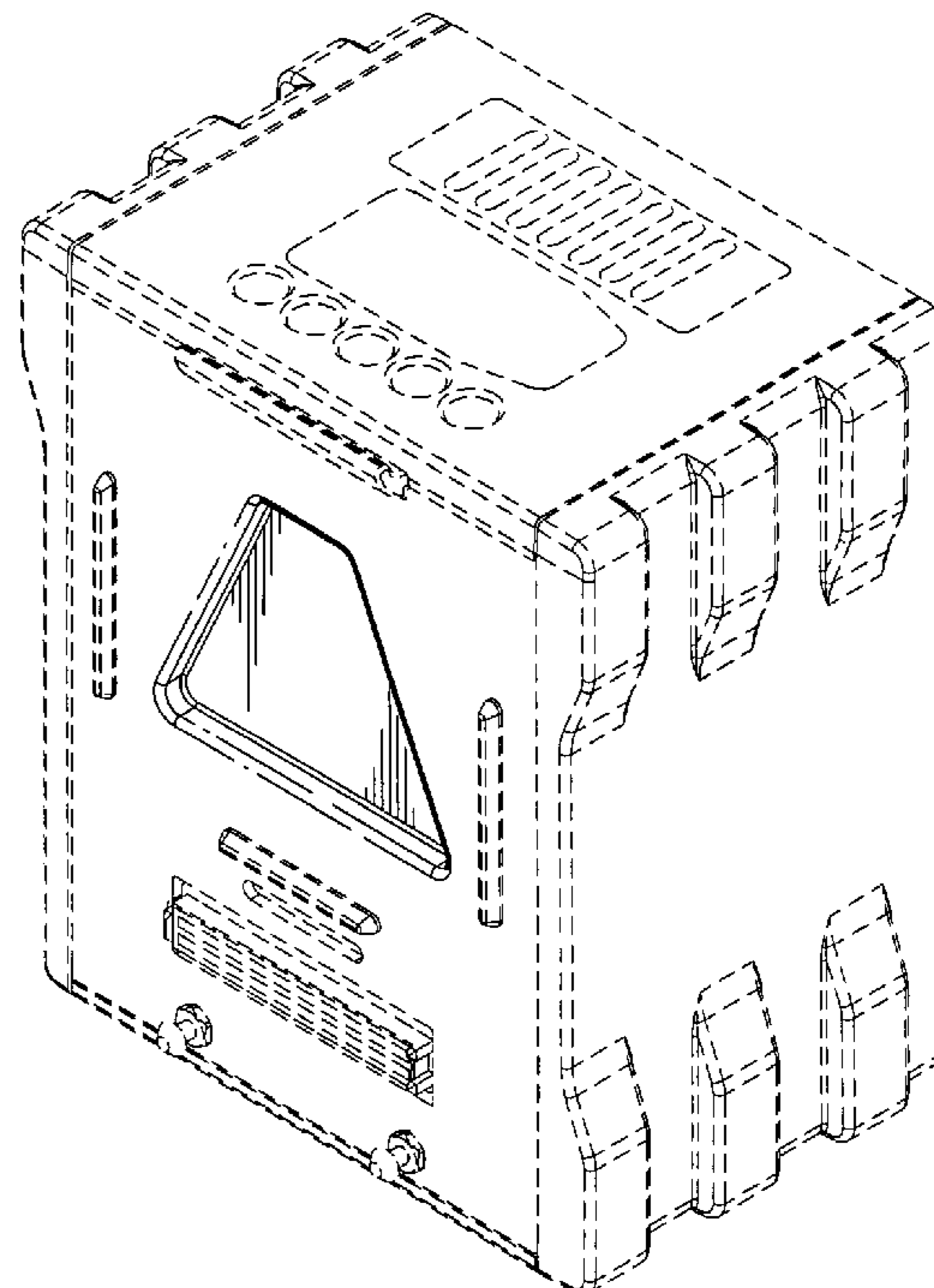
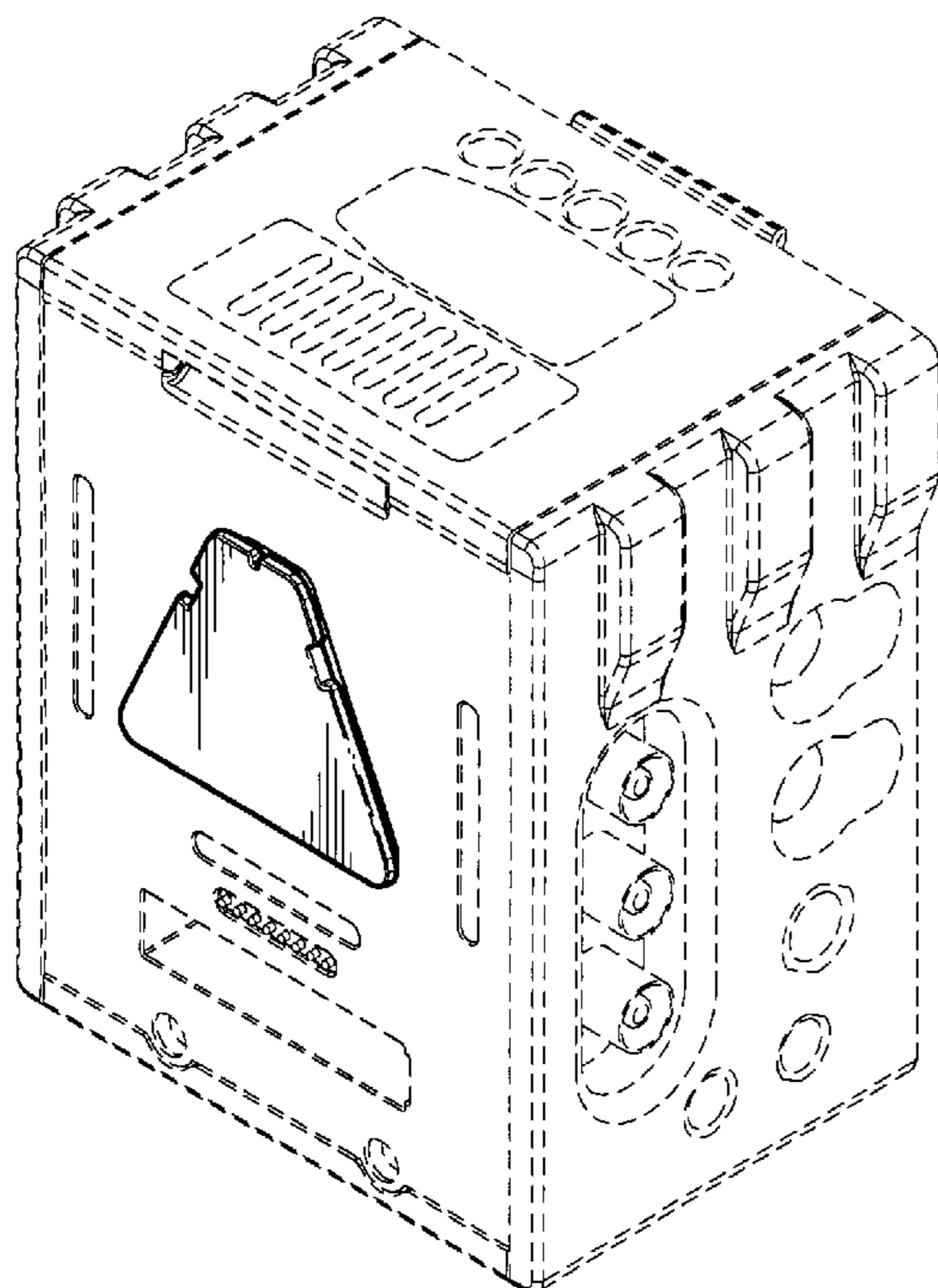
FIG. 6 is a right-side elevational view of the camera component of FIG. 1;

FIG. 7 is a top plan view of the camera component of FIG. 1; and,

FIG. 8 is a bottom plan view of the camera component of FIG. 1.

The broken line showing on the drawing disclosure is for illustrative purposes only and forms no part of the claimed design.

**1 Claim, 4 Drawing Sheets**



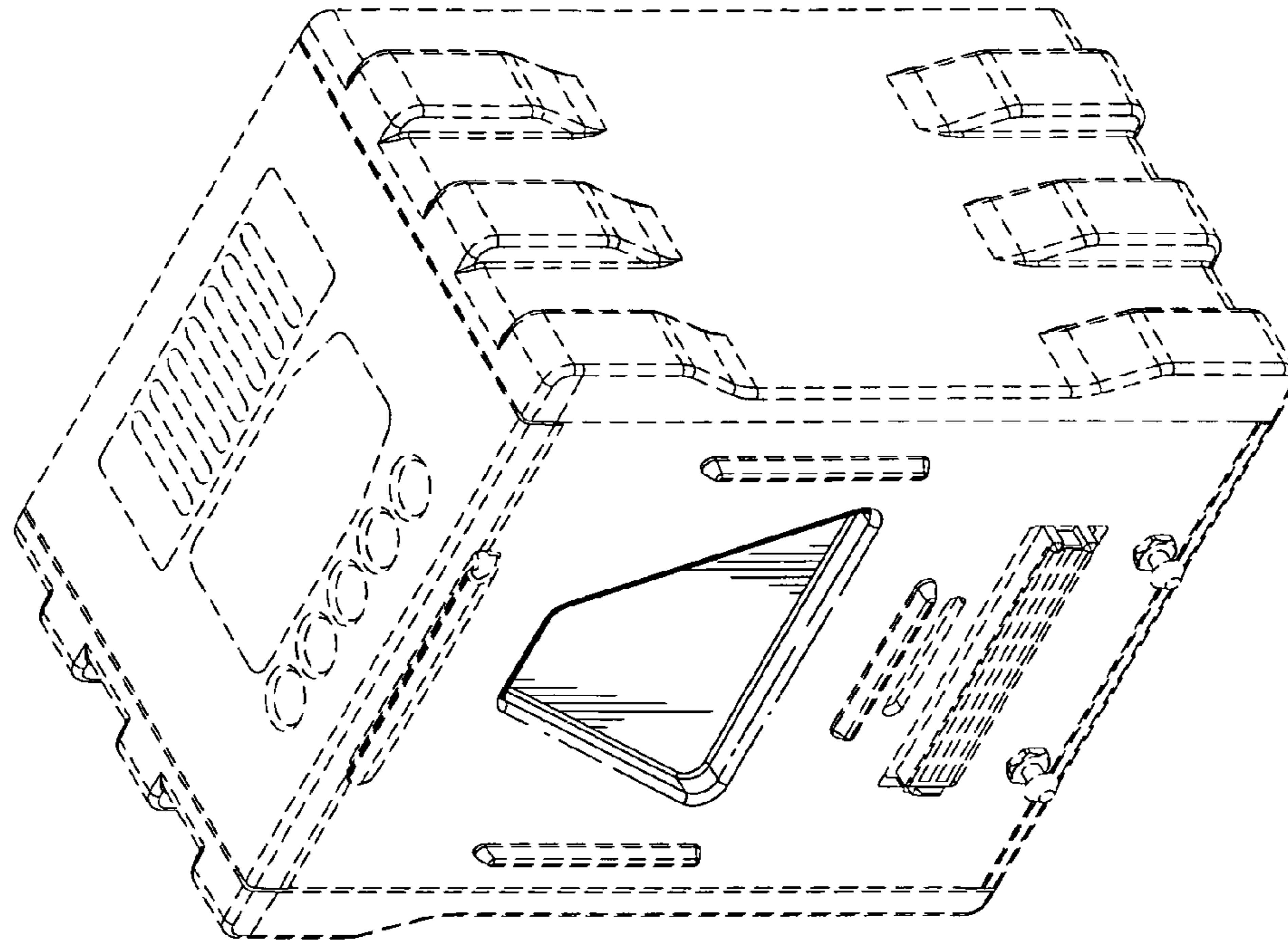


FIG. 2

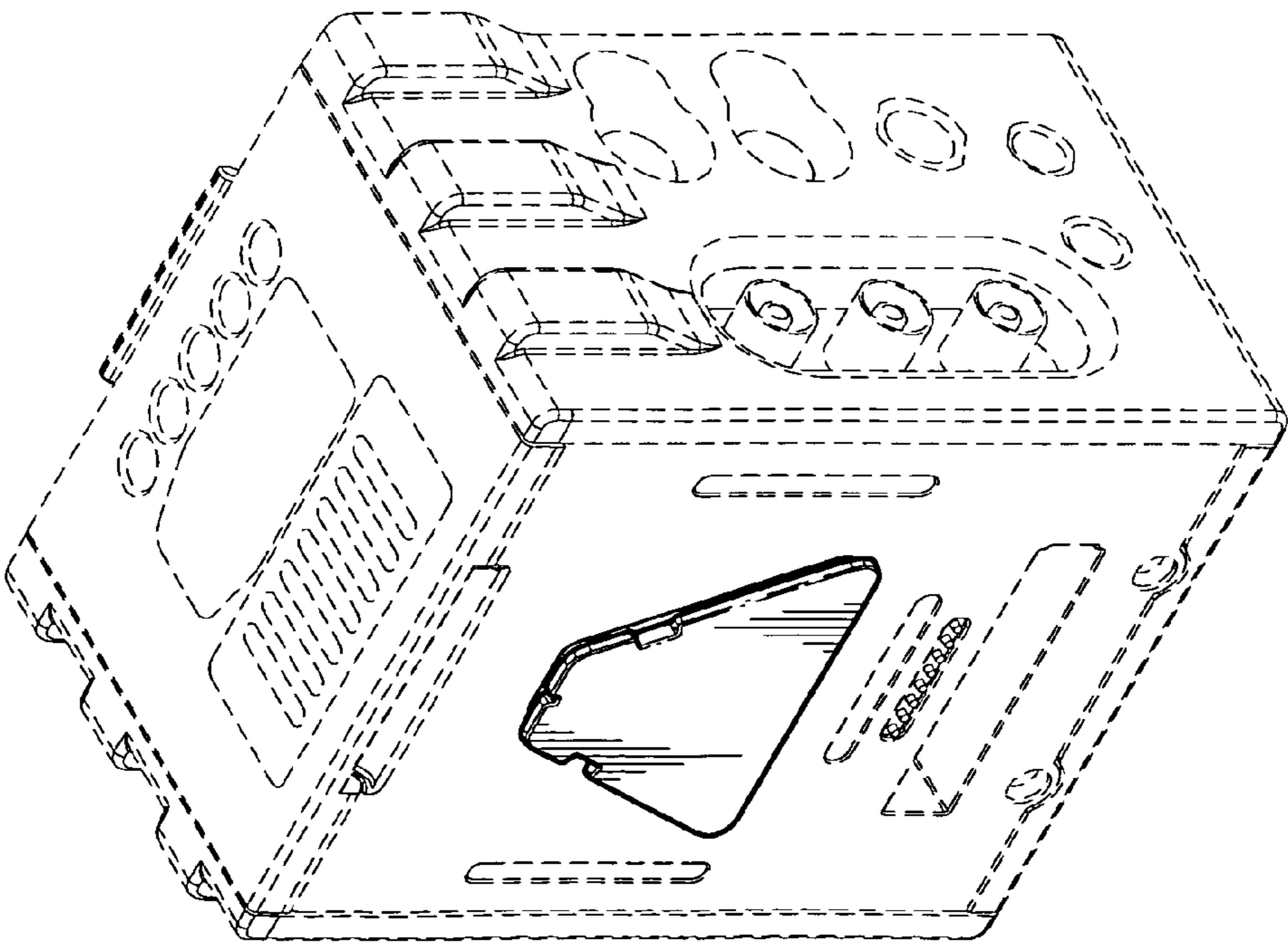


FIG. 1

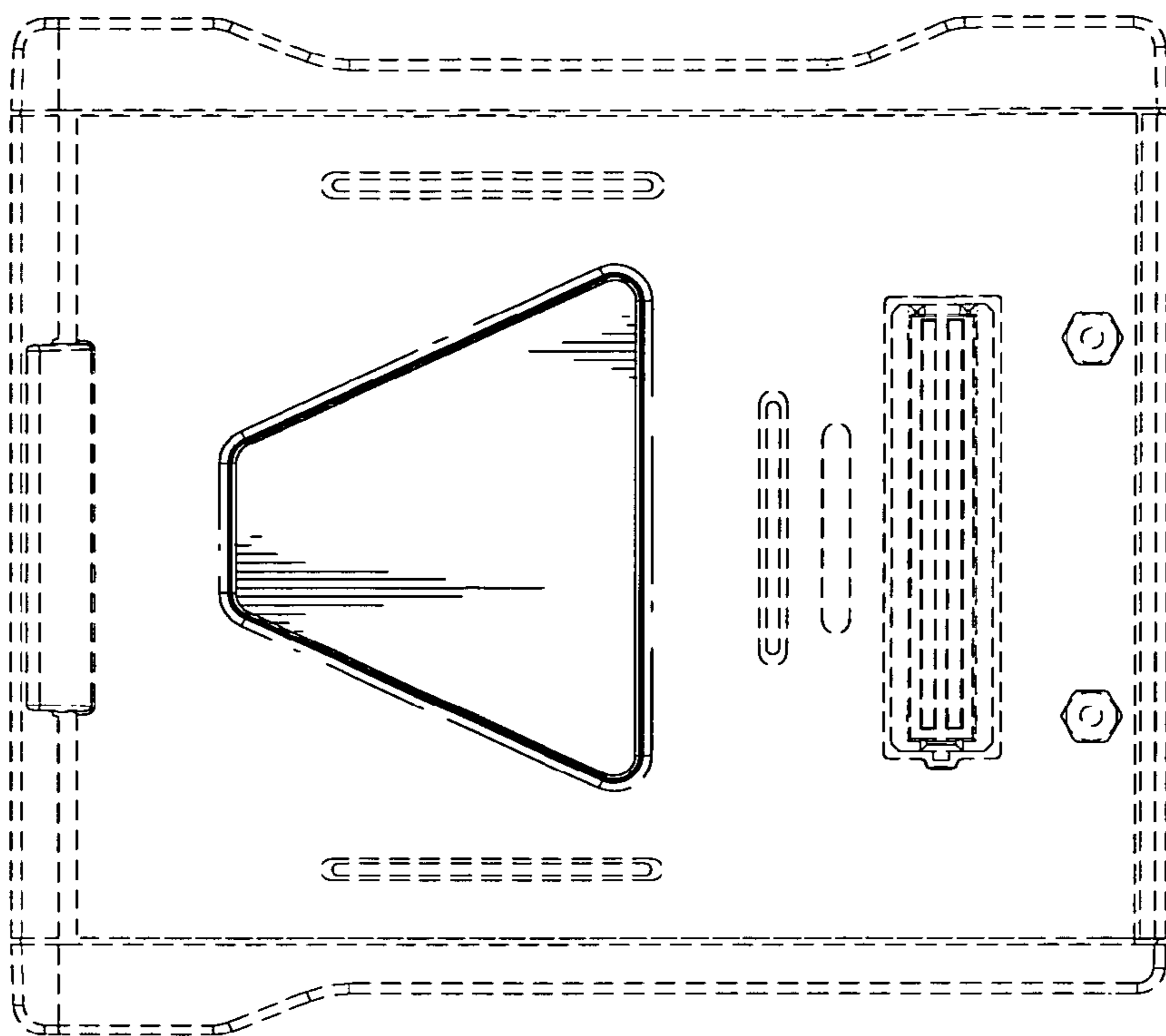


FIG. 4

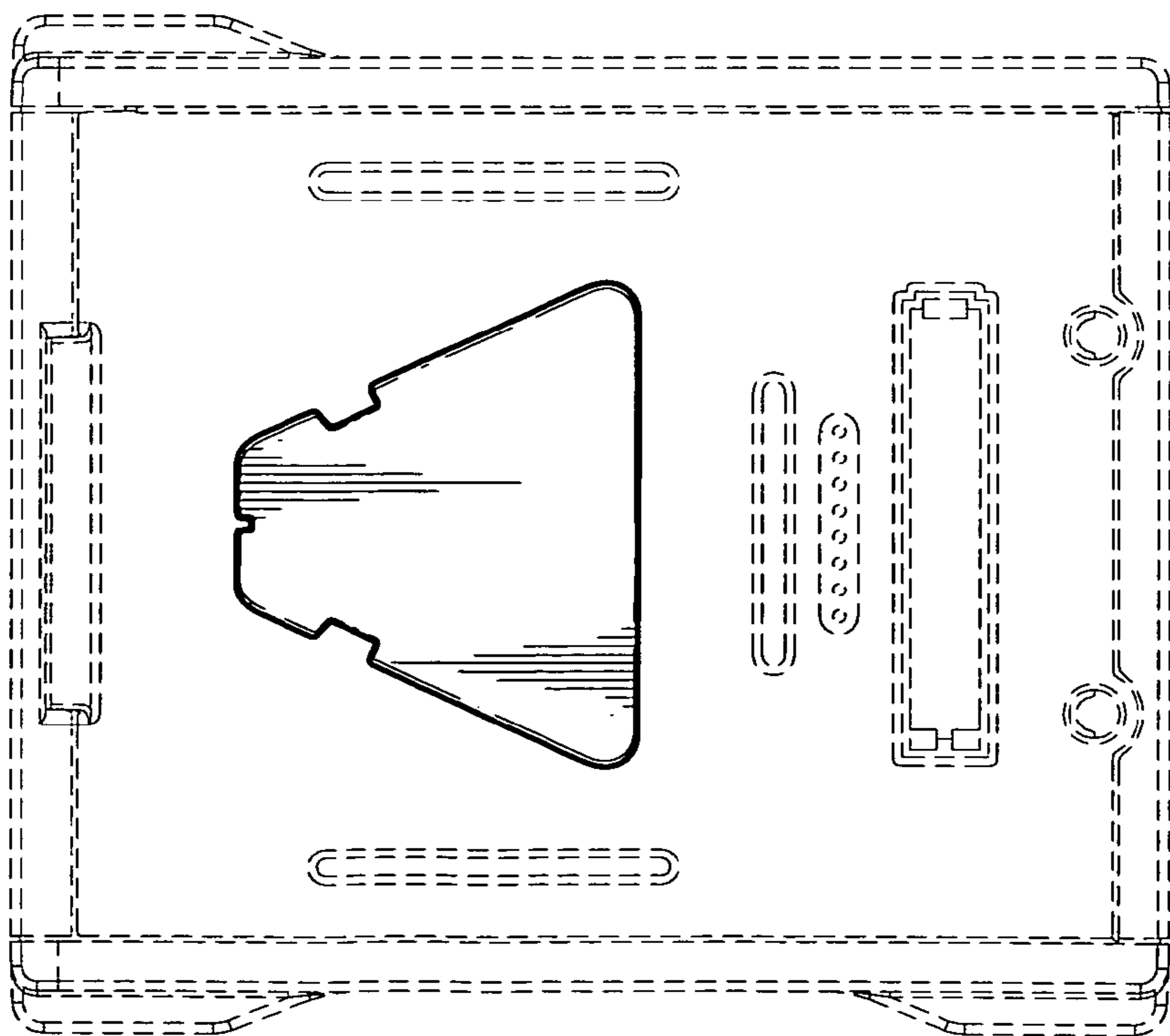


FIG. 3

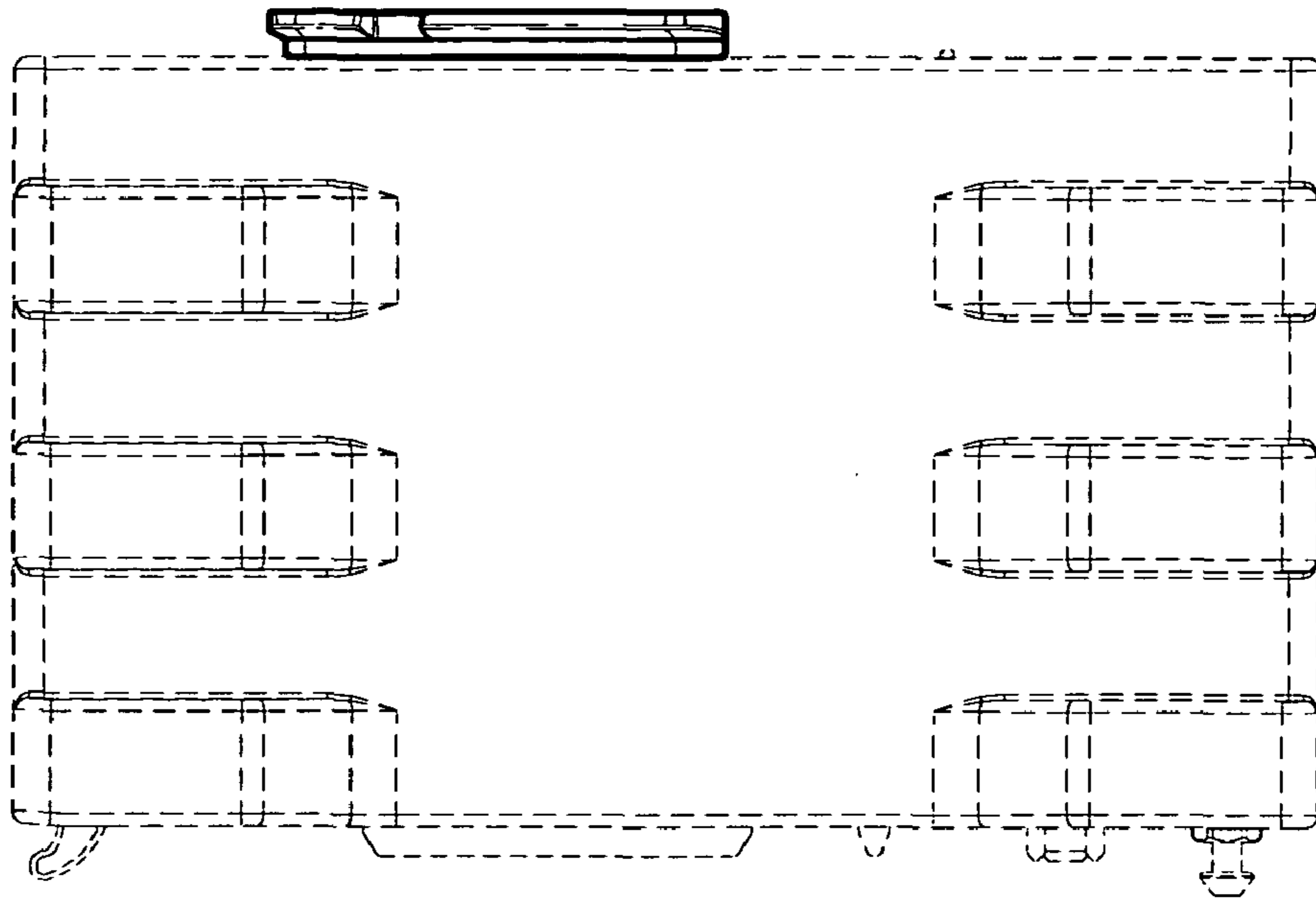


FIG. 6

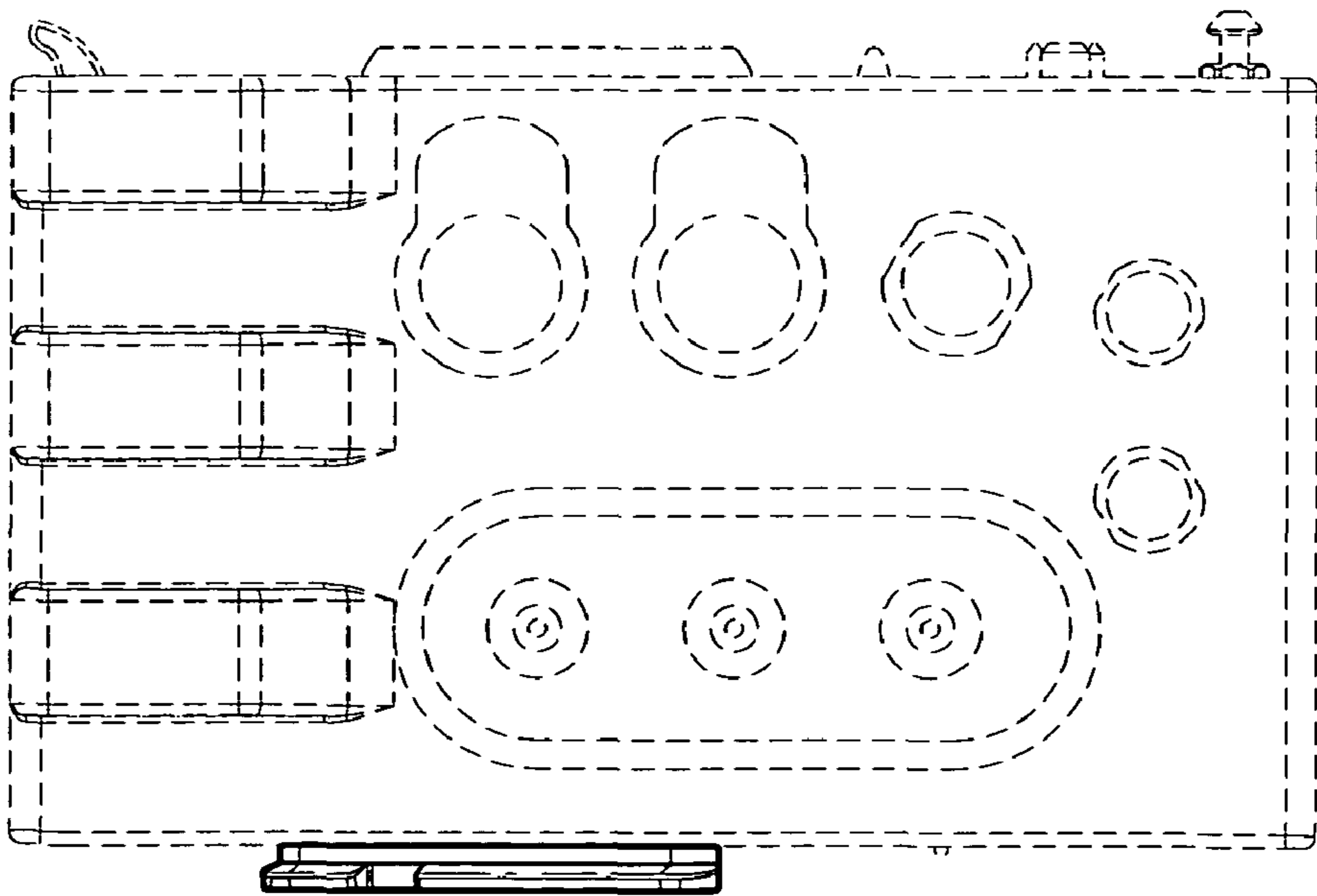


FIG. 5

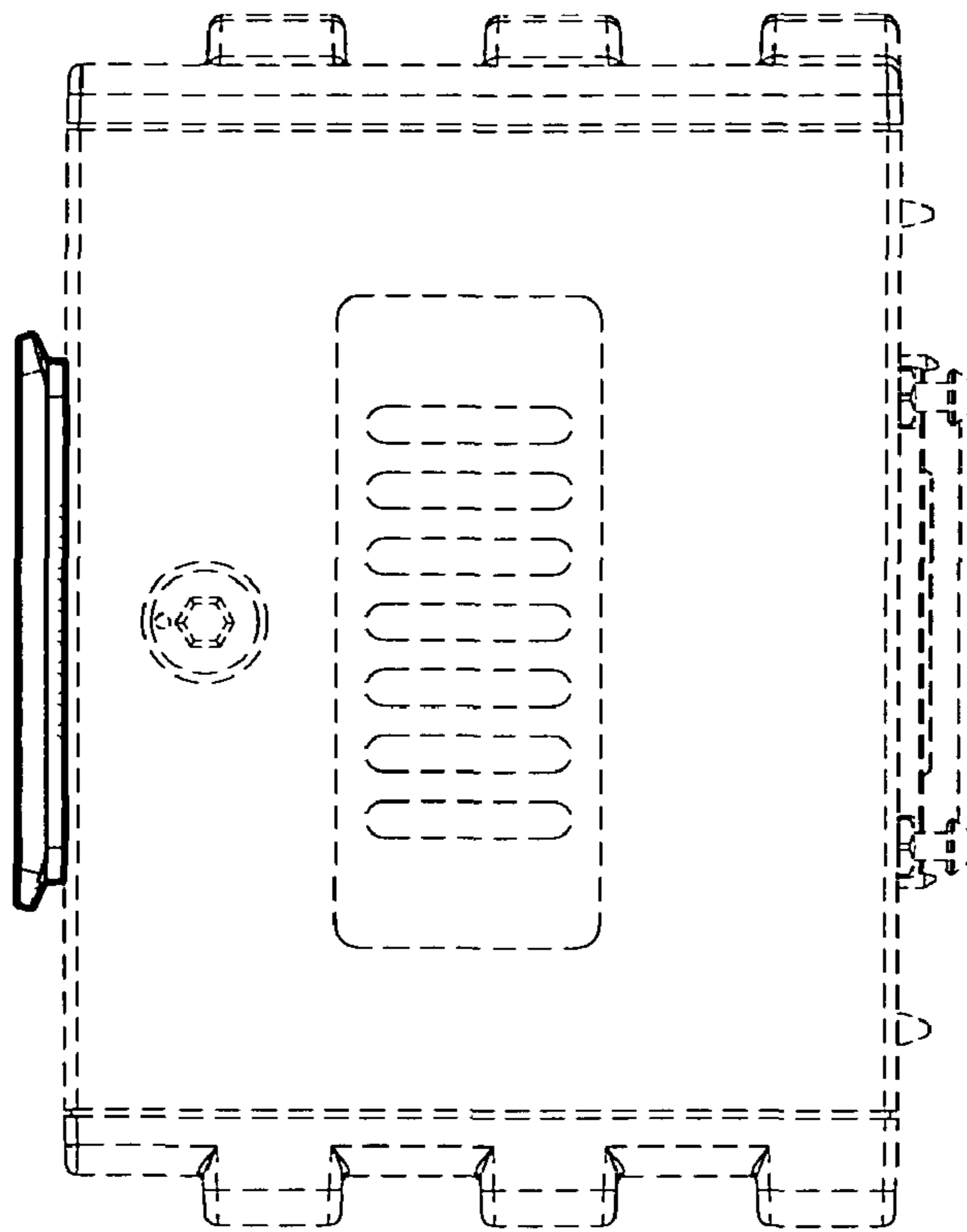


FIG. 8

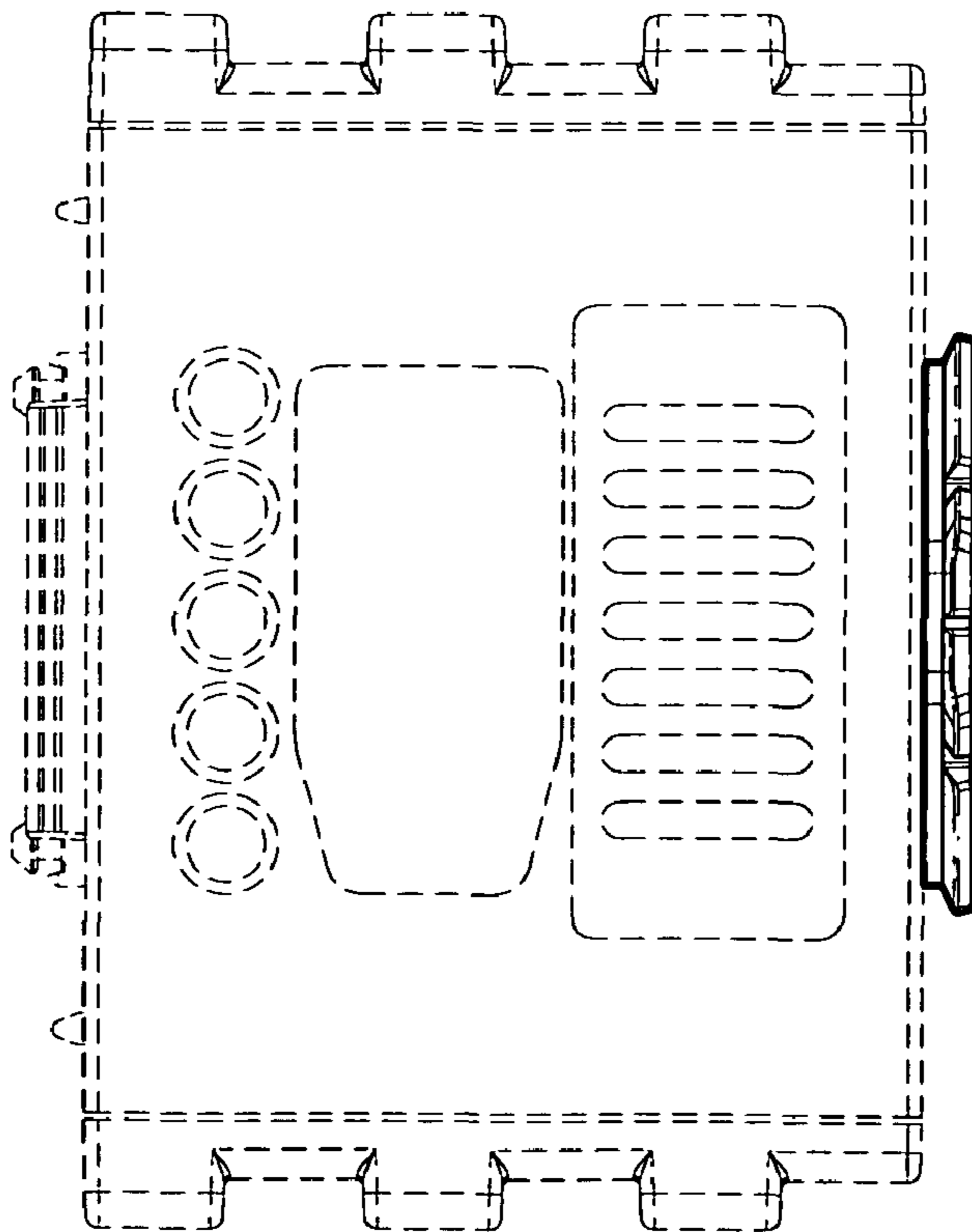


FIG. 7