



US00D654108S

(12) **United States Design Patent**  
**Sims et al.**

(10) **Patent No.:** **US D654,108 S**

(45) **Date of Patent:** **\*\* Feb. 14, 2012**

(54) **PORTABLE SENSOR**

(75) Inventors: **G. Craig Sims**, Inman, SC (US); **Mark E. Hardin**, Boiling Springs, SC (US)

(73) Assignee: **Rhino Outdoors, LLC**, Boiling Springs, SC (US)

(\*\*) Term: **14 Years**

(21) Appl. No.: **29/366,035**

(22) Filed: **Jul. 19, 2010**

(51) **LOC (9) Cl.** ..... **16-01**

(52) **U.S. Cl.** ..... **D16/200**

(58) **Field of Classification Search** ..... D10/46;  
348/373, 220.1, 333.11, E5.024, E5.038,  
348/E5.047; D16/200, 202-204; 2/209.13,  
2/175.5, 171.5; 24/3.12; 224/191; 345/8;  
359/481, 816

See application file for complete search history.

(56) **References Cited**

U.S. PATENT DOCUMENTS

5,003,300	A	3/1991	Wells	
D380,001	S *	6/1997	van de Loo	D16/202
6,115,846	A	9/2000	Truesdale	
6,167,413	A	12/2000	Daley, III	
6,359,649	B1	3/2002	Suzuki	
6,595,635	B2	7/2003	Schubert	
D546,359	S *	7/2007	Clark et al.	D16/213
D634,768	S *	3/2011	Ko	D16/203
2002/0186180	A1	12/2002	Duda	

2004/0008157	A1	1/2004	Brubaker et al.
2006/0037125	A1	2/2006	McDowell
2006/0053527	A1	3/2006	Schneider
2006/0230497	A1	10/2006	Thompson
2009/0303588	A1	12/2009	Charlesworth

\* cited by examiner

*Primary Examiner* — Antoine D Davis

(74) *Attorney, Agent, or Firm* — Dority & Manning, P.A.

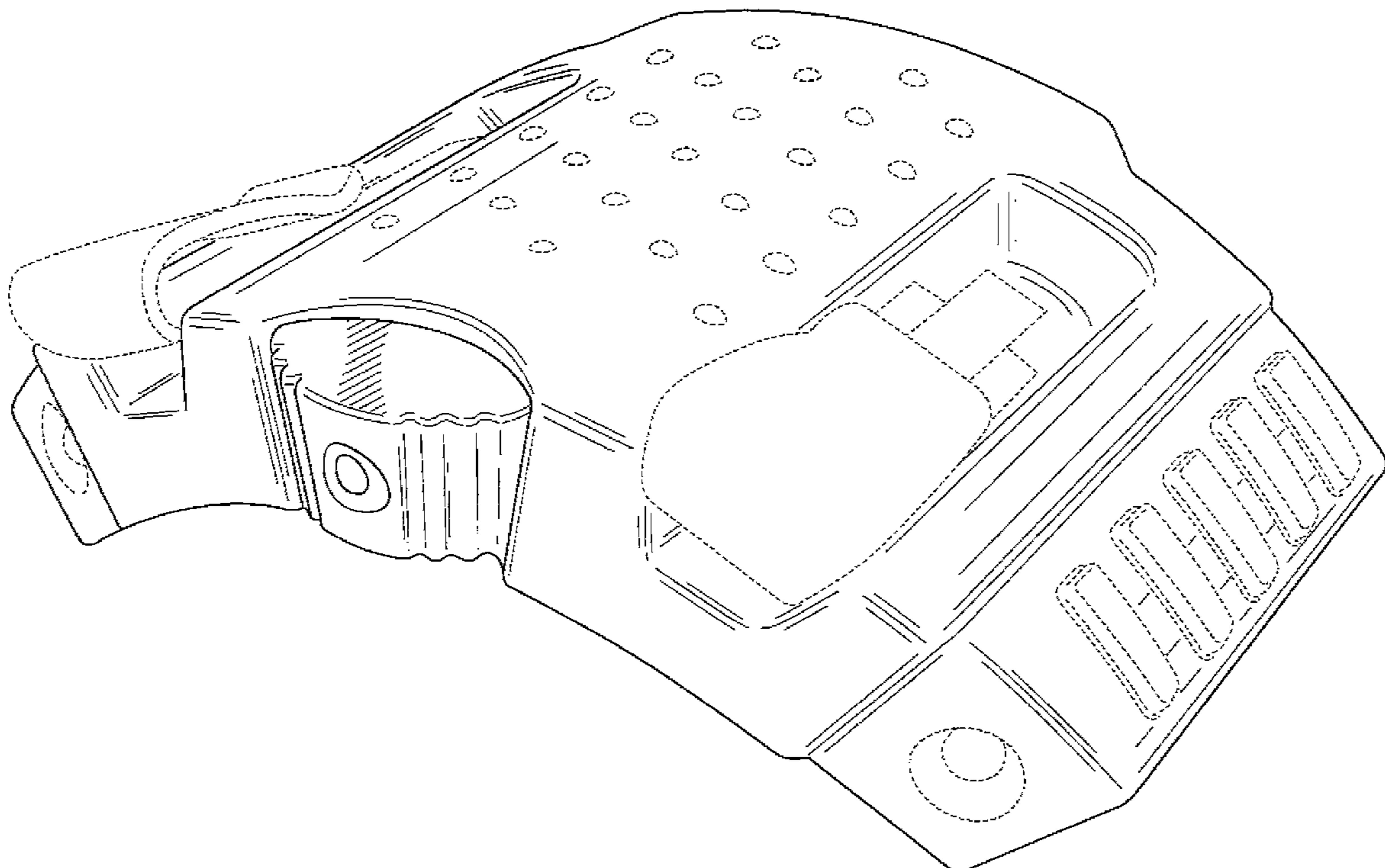
(57) **CLAIM**

The ornamental design for a portable sensor, as shown and described.

**DESCRIPTION**

FIG. 1 is a front top perspective view of the portable sensor according to the present invention;  
 FIG. 2 is a front plan view of the portable sensor illustrated in FIG. 1;  
 FIG. 3 is a rear plan view of the portable sensor illustrated in FIG. 1;  
 FIG. 4 is a left side plan view of the portable sensor illustrated in FIG. 1;  
 FIG. 5 is a right side plan view of the portable sensor illustrated in FIG. 1;  
 FIG. 6 is a bottom plan view of the portable sensor illustrated in FIG. 1; and,  
 FIG. 7 is a top plan view of the portable sensor illustrated in FIG. 1.  
 The dotted lines shown in FIGS. 1-7 are environmental only and form no part of the claimed design.

**1 Claim, 7 Drawing Sheets**



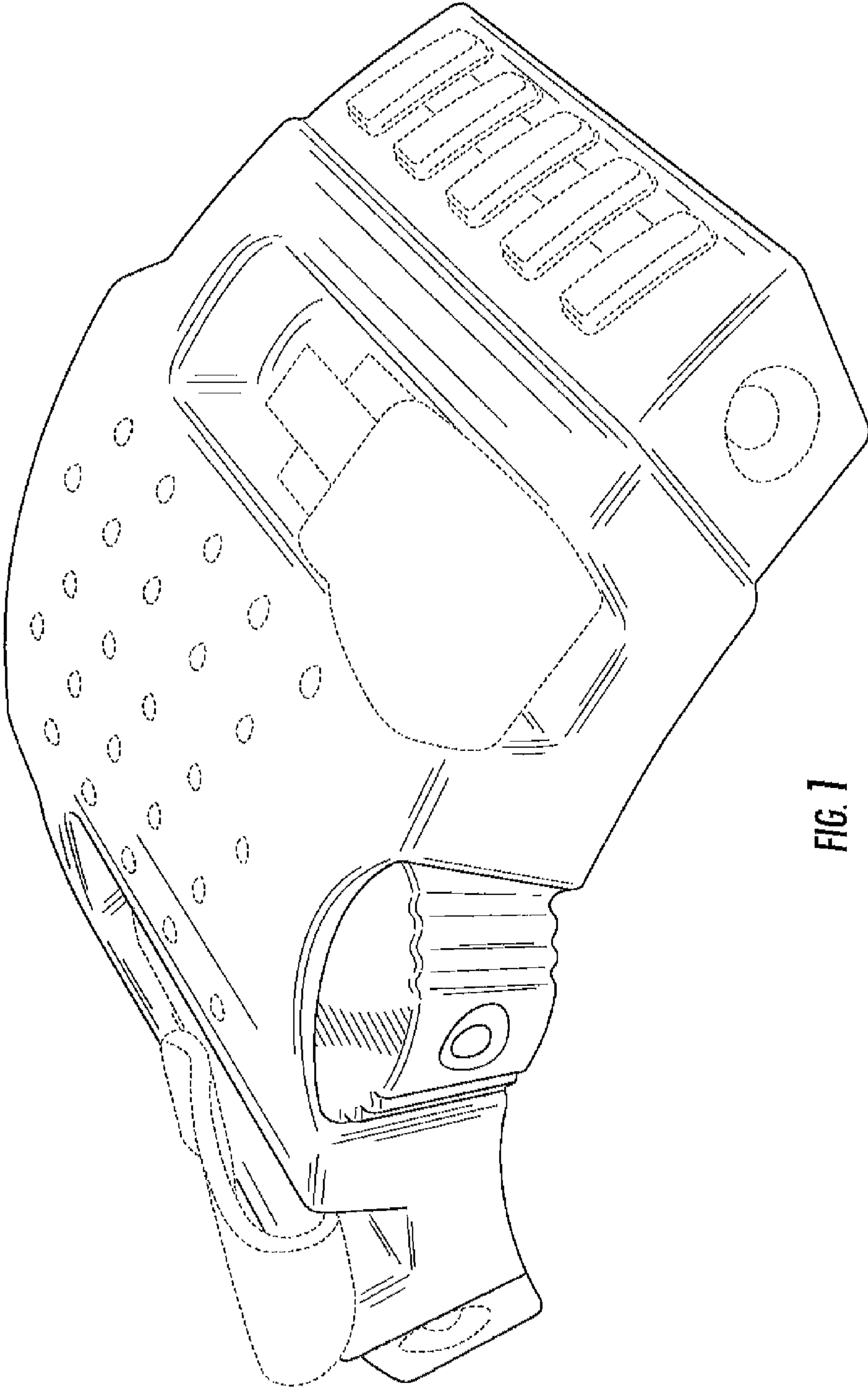


FIG. 1

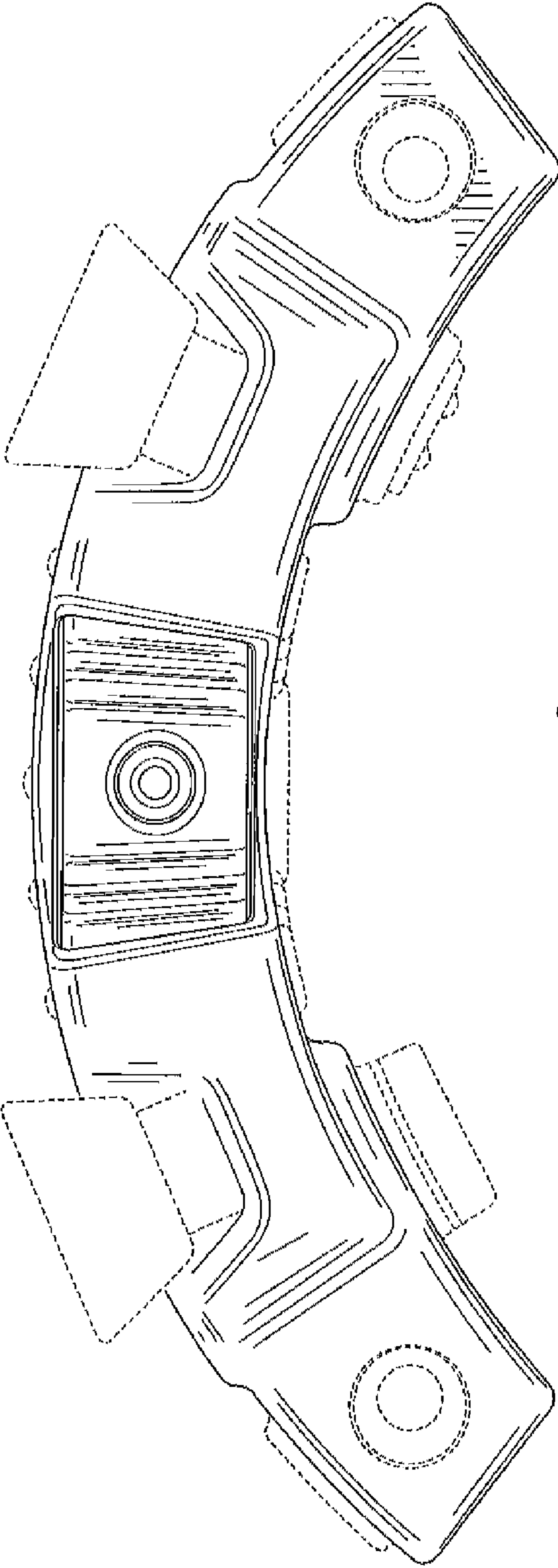


FIG. 2

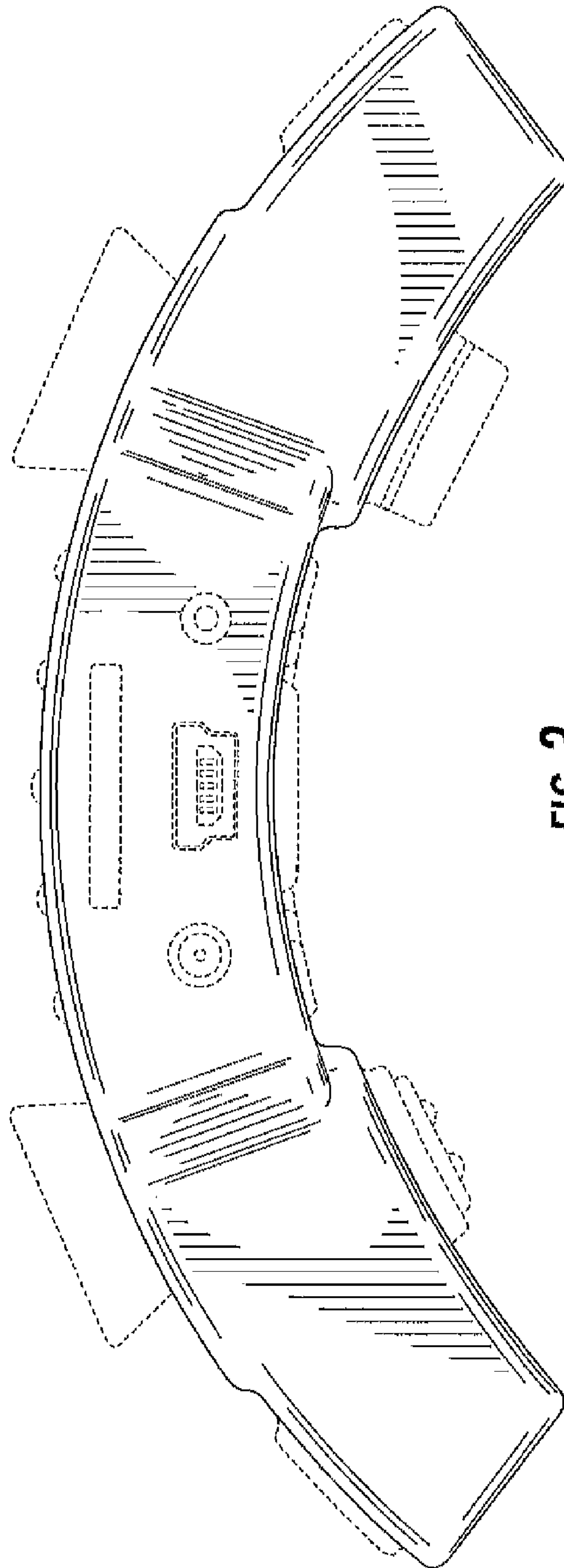


FIG. 3

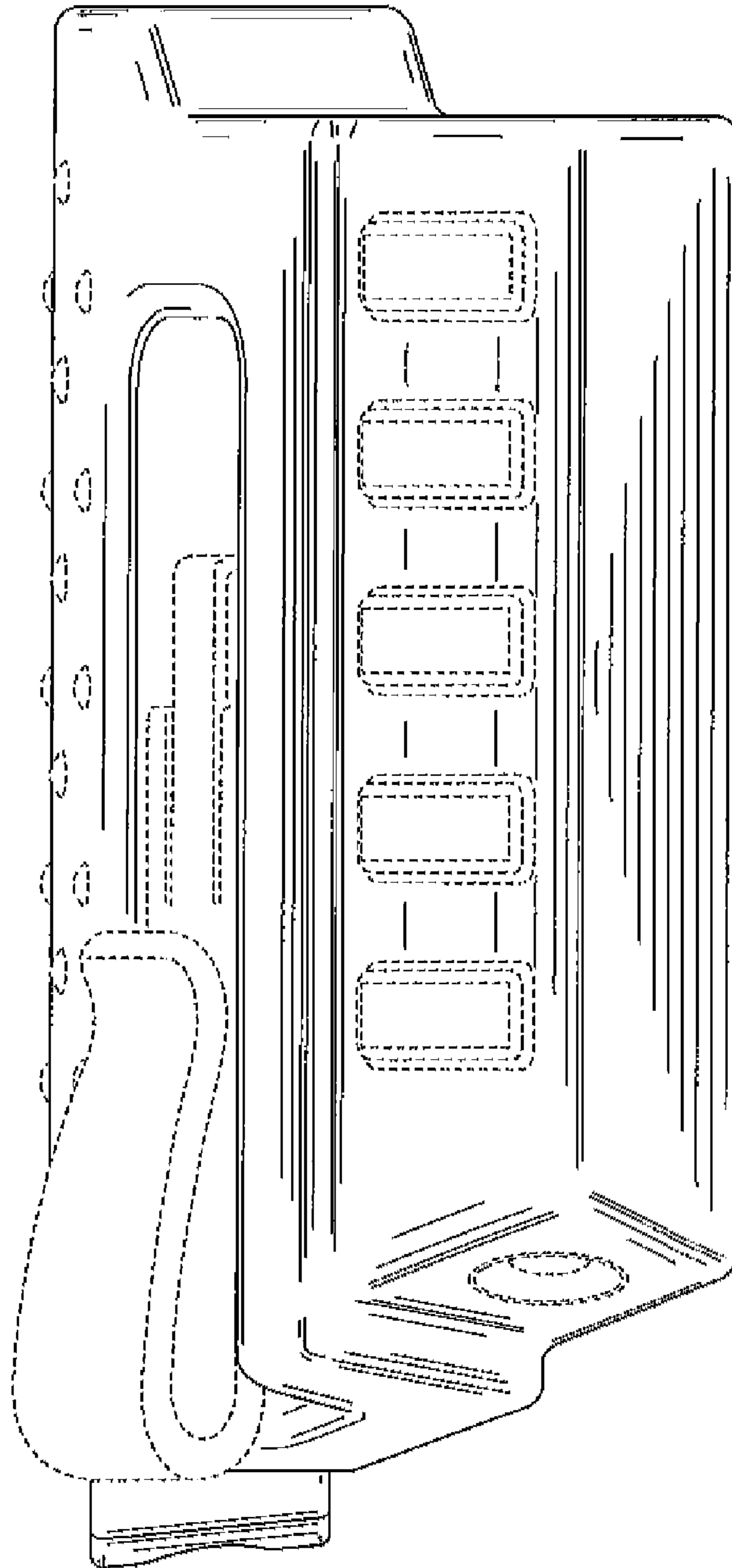


FIG. 4

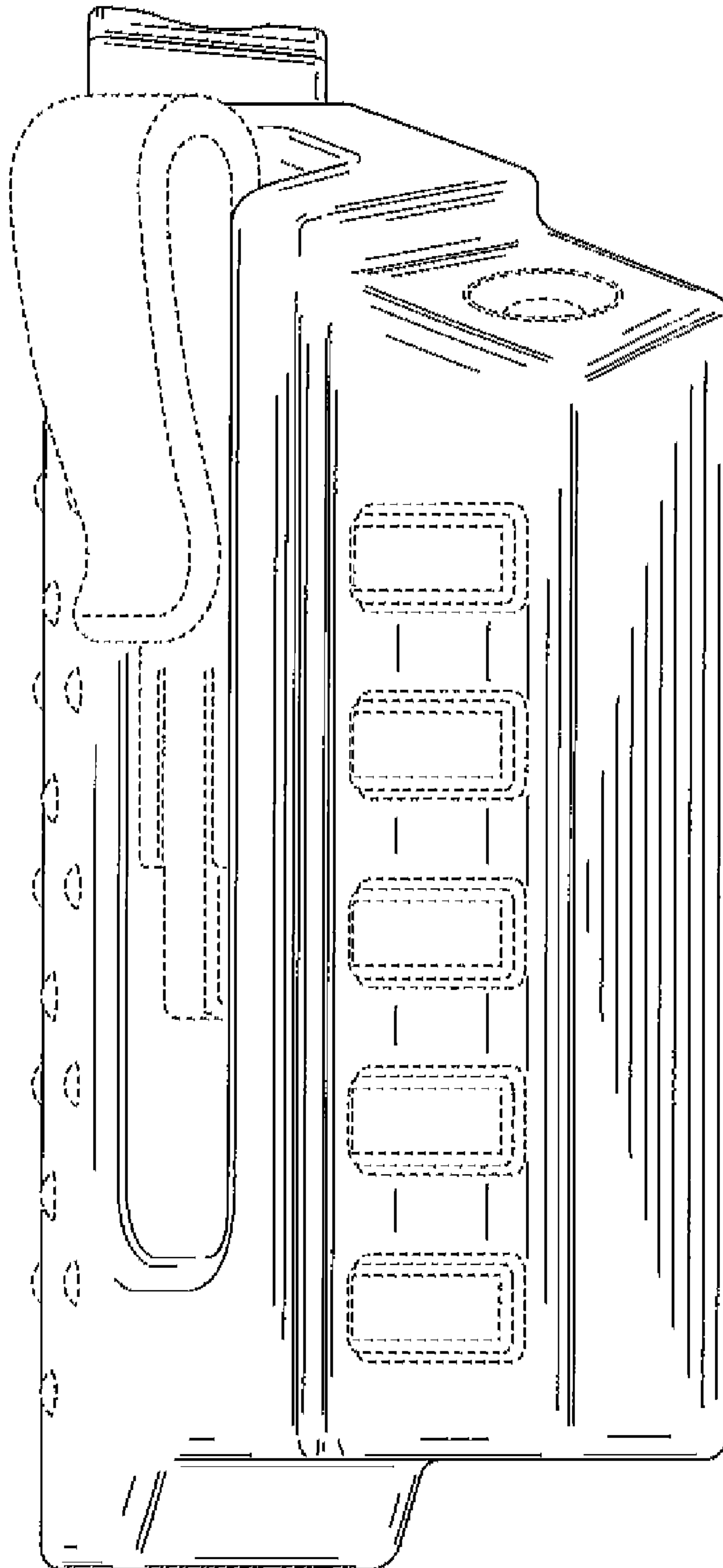
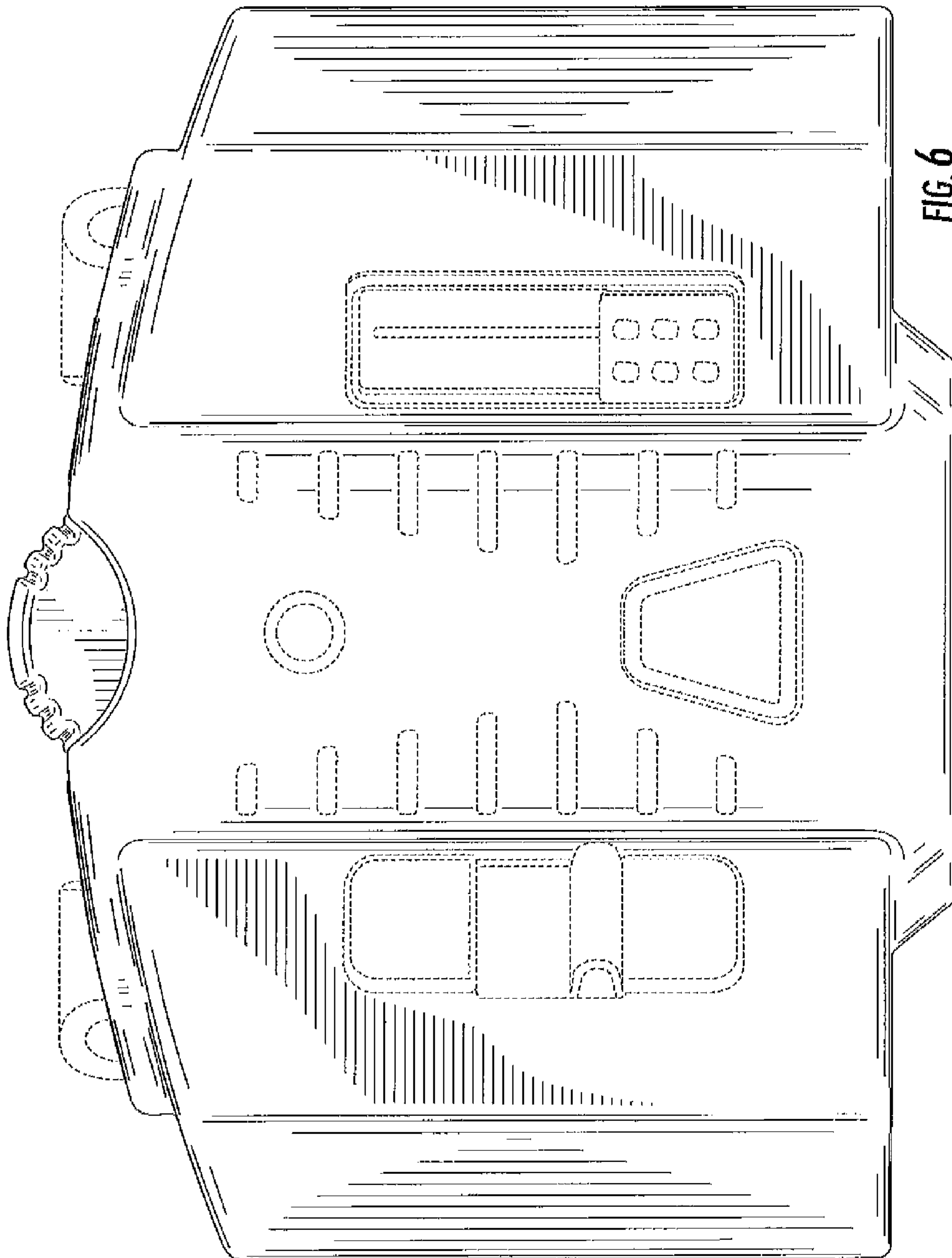


FIG. 5



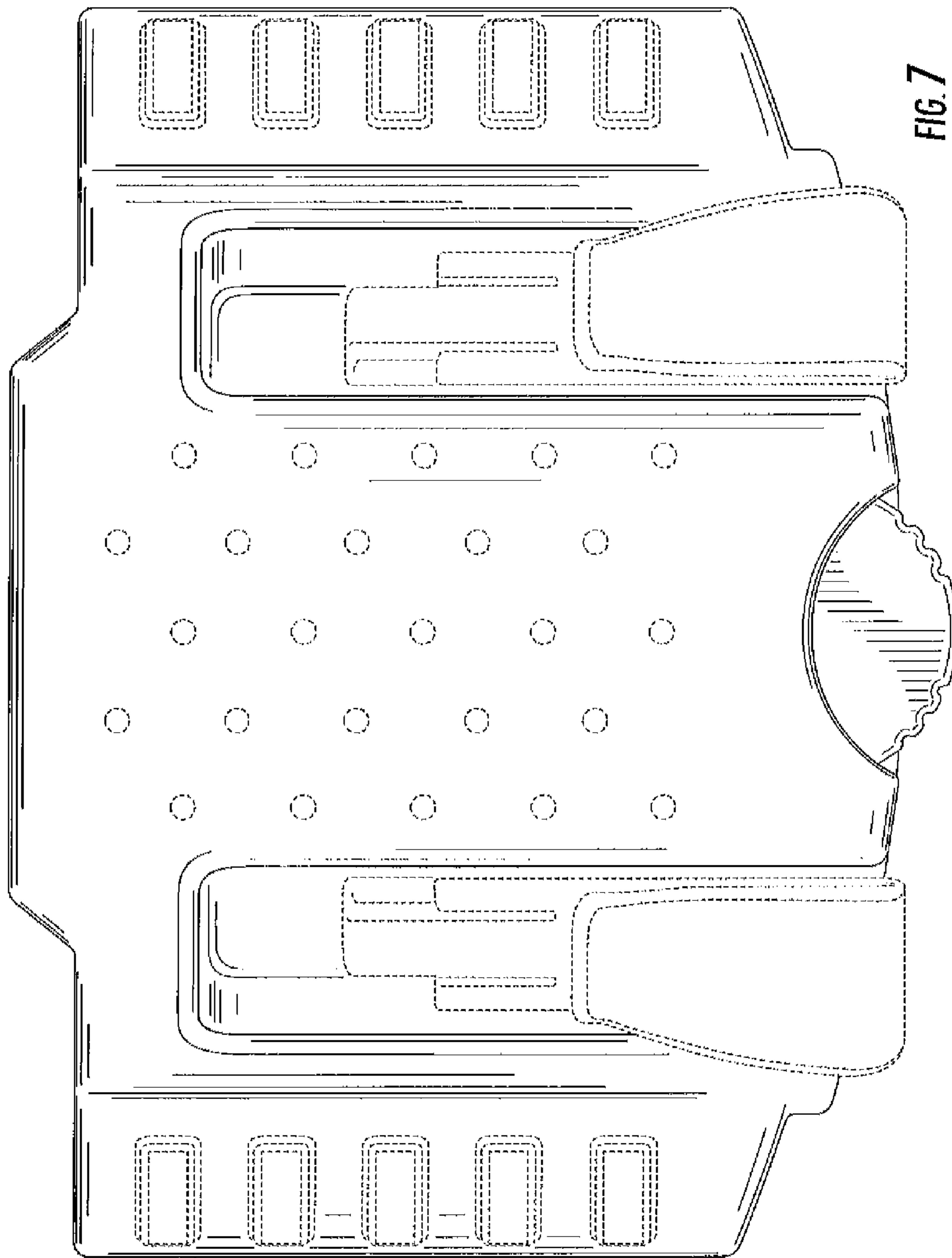


FIG. 7