



US00D654105S

(12) **United States Design Patent**
Schneider

(10) **Patent No.:** **US D654,105 S**
(45) **Date of Patent:** **** Feb. 14, 2012**

(54) **CYLINDRICAL DEDUSTER**

DESCRIPTION

- (75) Inventor: **Heinz Schneider**, Lancaster, PA (US)
 - (73) Assignee: **Pelletron Corporation**, Lancaster, PA (US)
 - (**) Term: **14 Years**
 - (21) Appl. No.: **29/334,800**
 - (22) Filed: **Apr. 1, 2009**
 - (51) **LOC (9) Cl.** **15-09**
 - (52) **U.S. Cl.** **D15/147**
 - (58) **Field of Classification Search** D15/145-147,
D15/199; 83/24, 56, 168, 422, 925 C; 209/11,
209/721, 728, 732, 734; 210/175, 512.2,
210/787
- See application file for complete search history.

(56) **References Cited**

U.S. PATENT DOCUMENTS

4,175,036	A *	11/1979	Frykhult	209/734
4,541,934	A *	9/1985	Hakola	210/787
4,581,965	A *	4/1986	Gerber	83/24
4,652,363	A *	3/1987	Miller	209/734
4,956,091	A *	9/1990	Van Den Akker	210/512.2
5,305,889	A *	4/1994	Ganz	209/734
5,951,877	A *	9/1999	Langley et al.	210/782
D464,067	S *	10/2002	Rogers et al.	D15/147
D585,922	S *	2/2009	Curran et al.	D15/147
7,918,350	B2 *	4/2011	Min et al.	210/512.1
2002/0112998	A1 *	8/2002	Bosman	209/734
2010/0126320	A1 *	5/2010	Macomber et al.	83/24
2011/0011796	A1 *	1/2011	Nickson	210/512.2

* cited by examiner

Primary Examiner — Patricia Palasik

(74) *Attorney, Agent, or Firm* — Miller Law Group, PLLC

(57) **CLAIM**

The ornamental design for a cylindrical deduster, as shown and described.

FIG. 1 is a front perspective view of a first embodiment of the cylindrical deduster, the cylindrical housing having a circular discharge member mounted on an upper transparent cylindrical housing member, which is mounted on an opaque lower cylindrical housing member, the air inlet conduit being associated with the lower housing member and the air discharge conduit being associated with the circular discharge member, the circular dedusting apparatus being shown in phantom lines as being visible through the transparent upper housing member depicts unclaimed environmental subject matter and forms no part of the claimed design;

FIG. 2 is a front elevational view thereof, the cylindrical deduster being shown in phantom lines as being visible through the transparent upper housing member depicts unclaimed environmental subject matter and forms no part of the claimed design;

FIG. 3 is a rear elevational view thereof;

FIG. 4 is a right side elevational view thereof;

FIG. 5 is a left side elevational view thereof;

FIG. 6 is a top plan view thereof, with the conical infeed structure directing particulate material to the dedusting apparatus being shown in phantom lines depicting unclaimed environmental subject matter and forming no part of the claimed design;

FIG. 7 is a bottom plan view of the cylindrical deduster housing with the air infeed conduit leading into the bottom of the circular wash deck portion showing through the material discharge opening in the bottom surface of the housing shown in phantom lines depicting unclaimed environmental subject matter and forming no part of the claimed design;

FIG. 8 is a front perspective view of a second embodiment of the cylindrical deduster, the cylindrical housing having a circular discharge member mounted on an opaque cylindrical housing member, the air inlet conduit being associated with the housing member and the air discharge conduit being associated with the circular discharge member;

FIG. 9 is a front elevational view thereof;

FIG. 10 is a rear elevational view thereof;

FIG. 11 is a right side elevational view thereof; and,

FIG. 12 is a left side elevational view thereof.

1 Claim, 11 Drawing Sheets

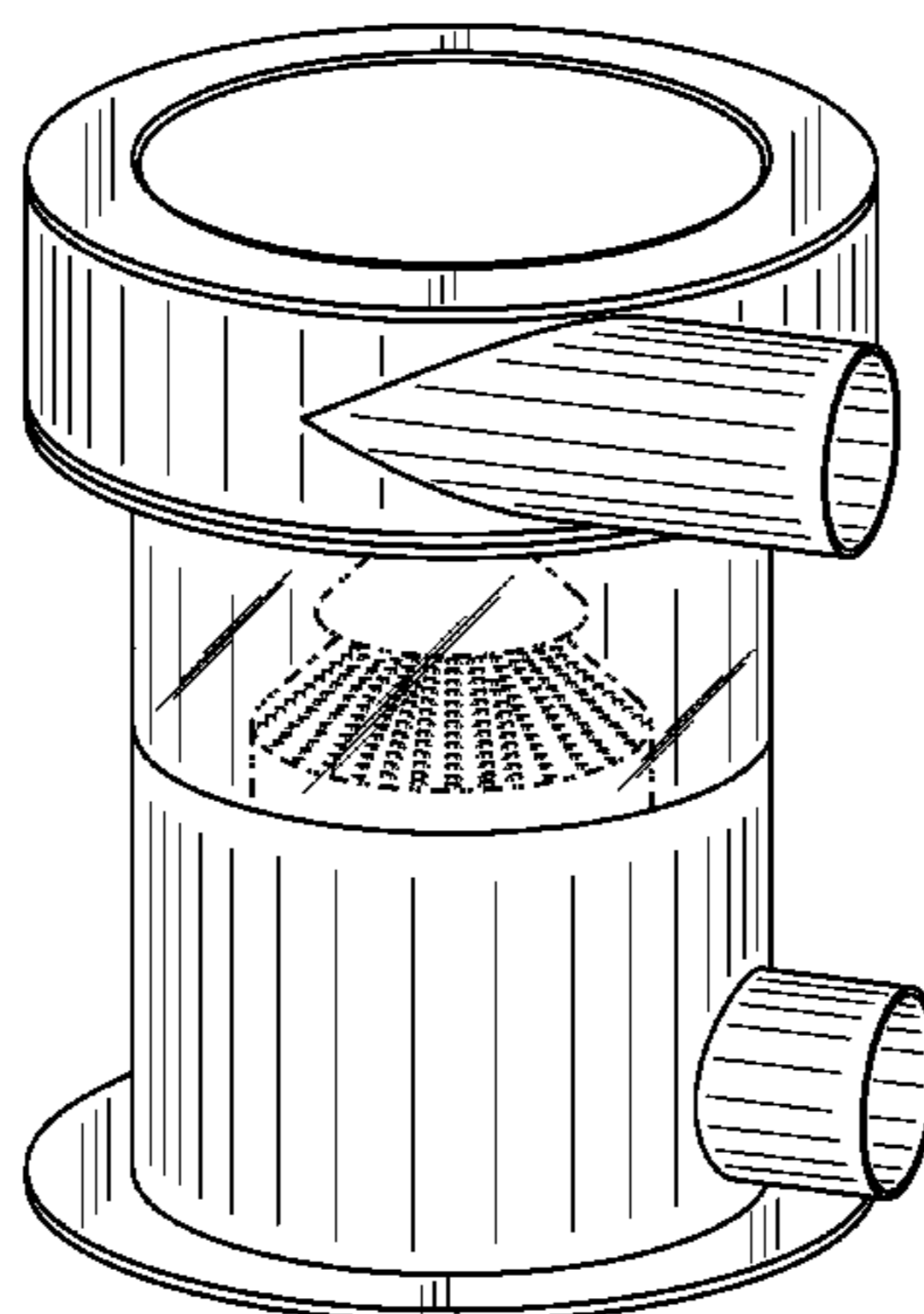


Fig. 1

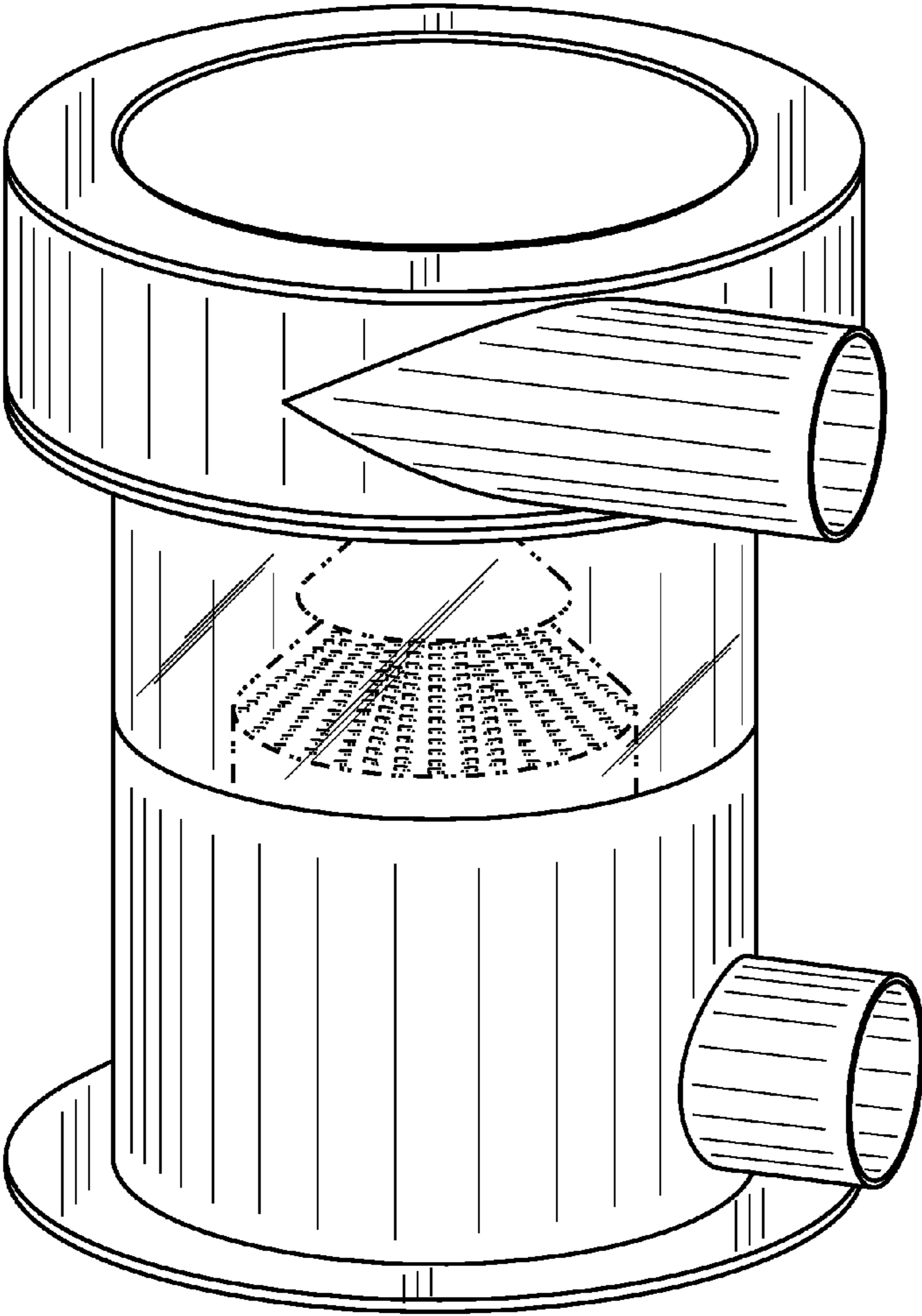


Fig. 2

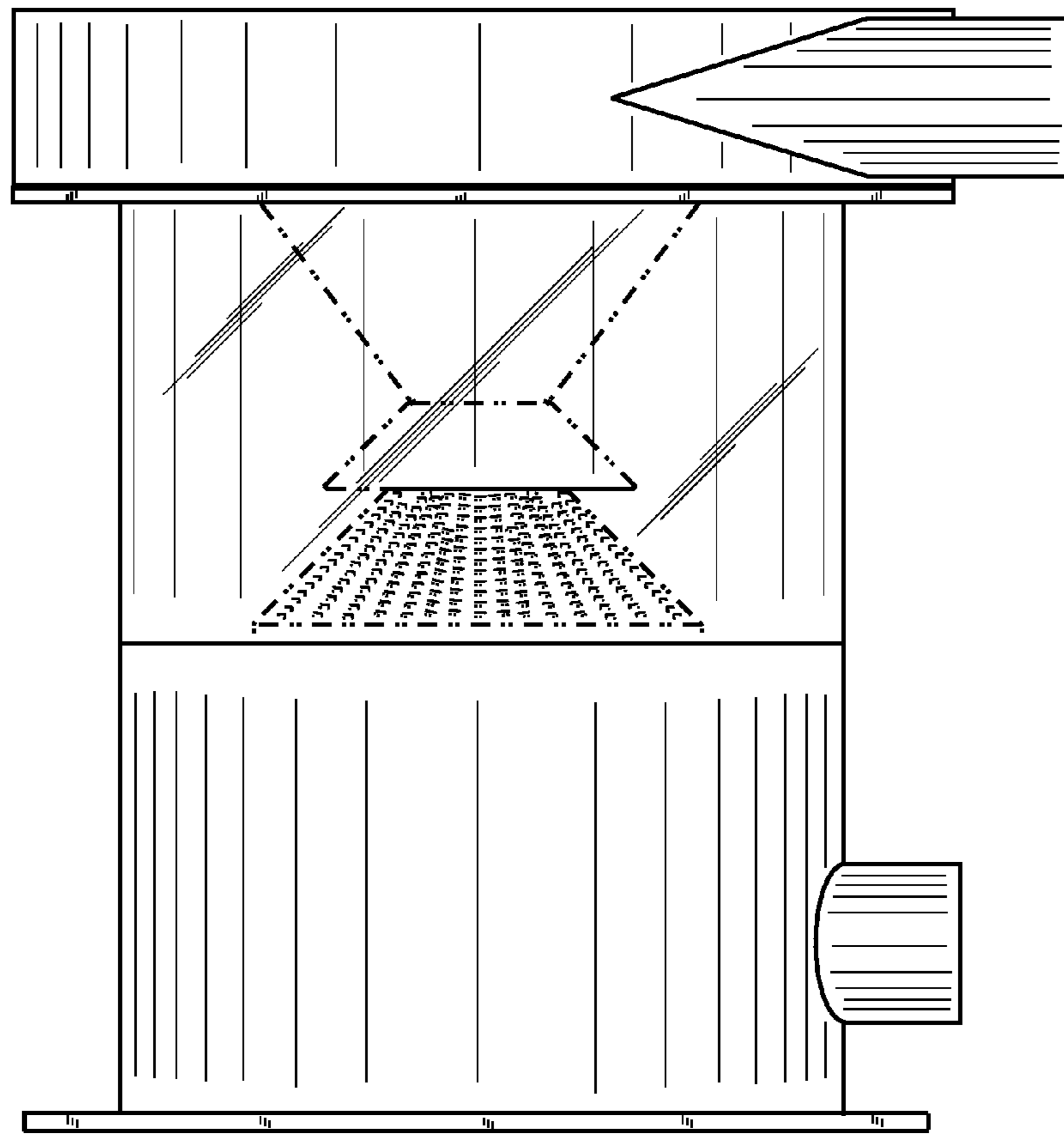


Fig. 3

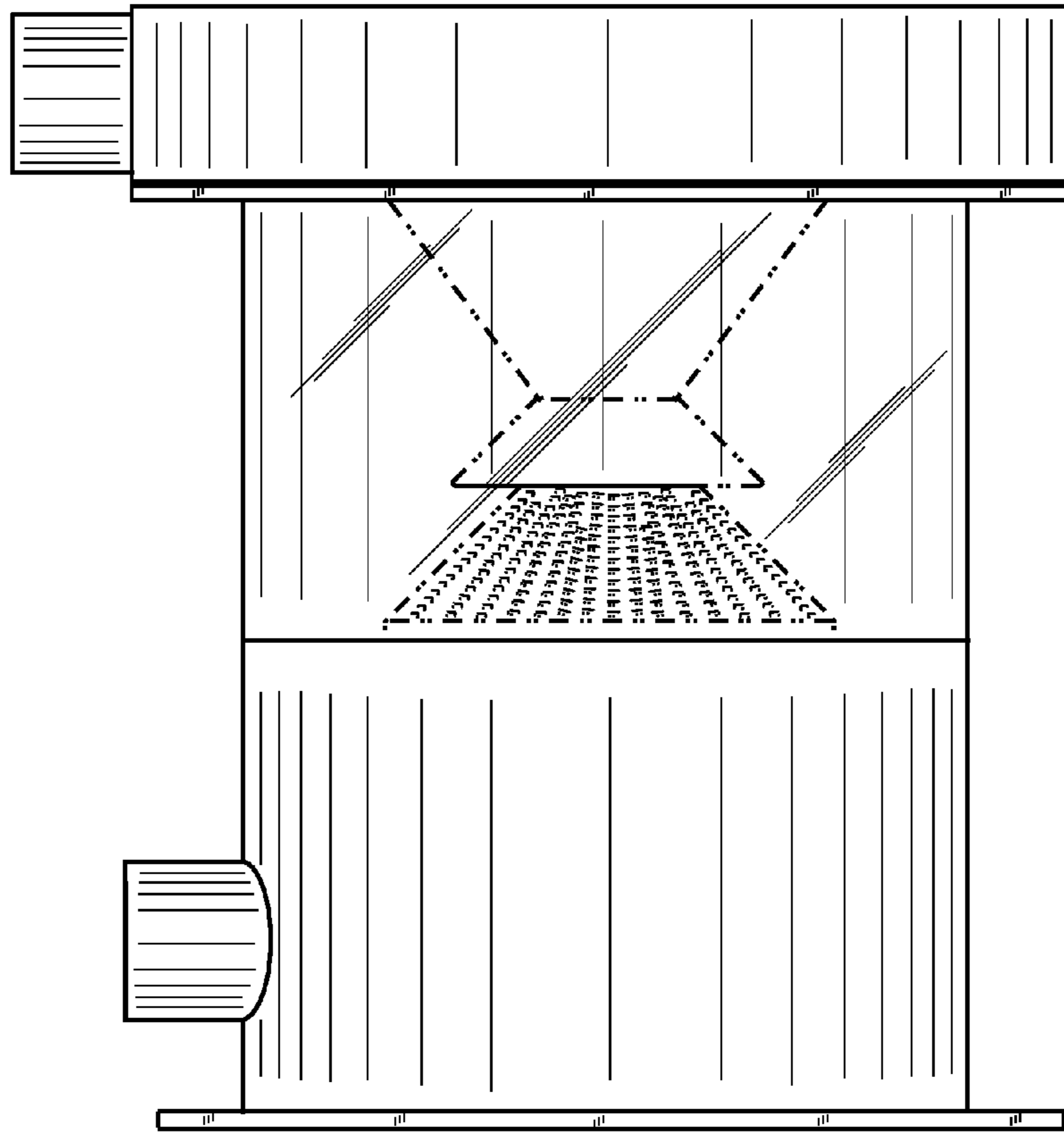


Fig. 4

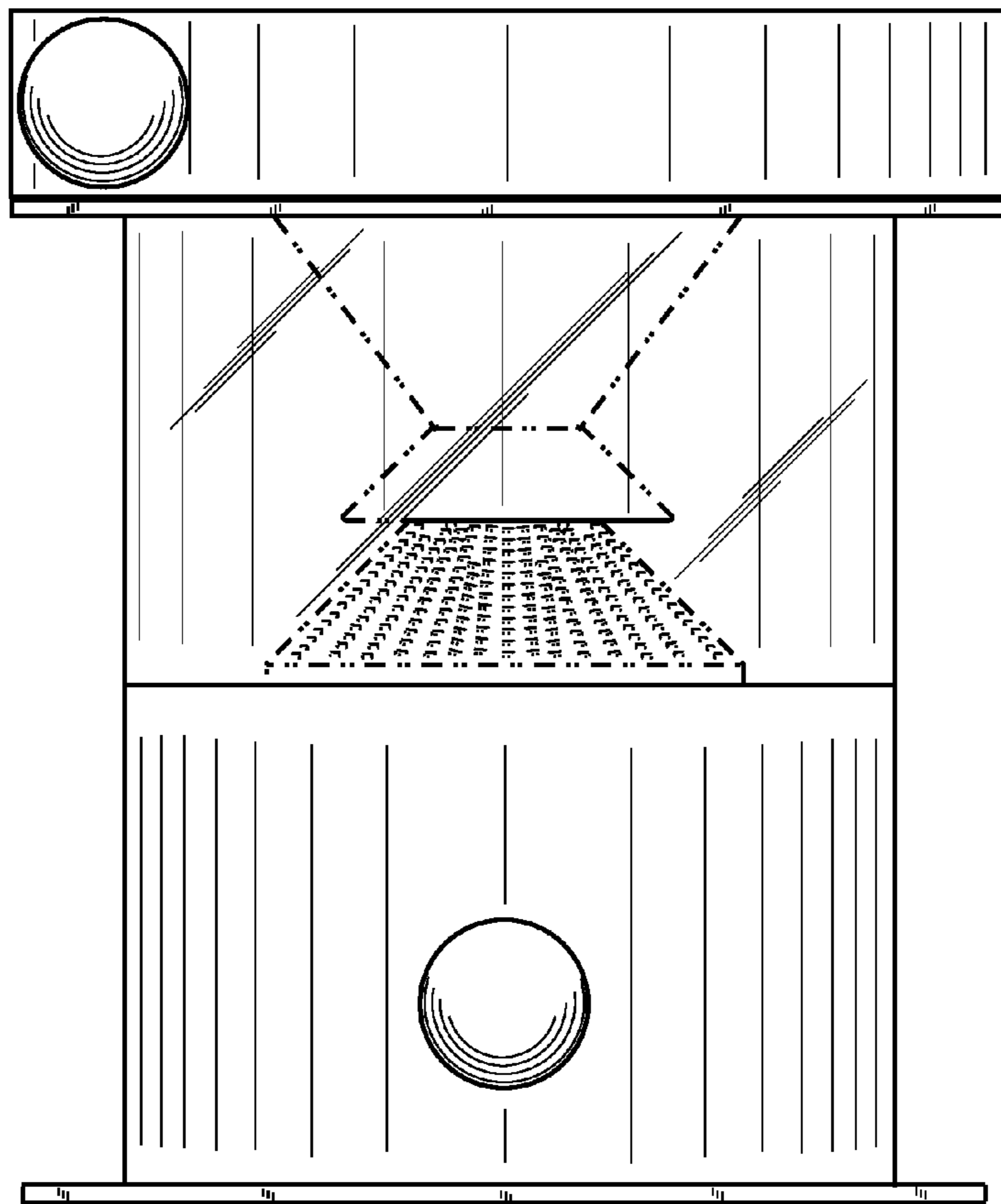


Fig. 5

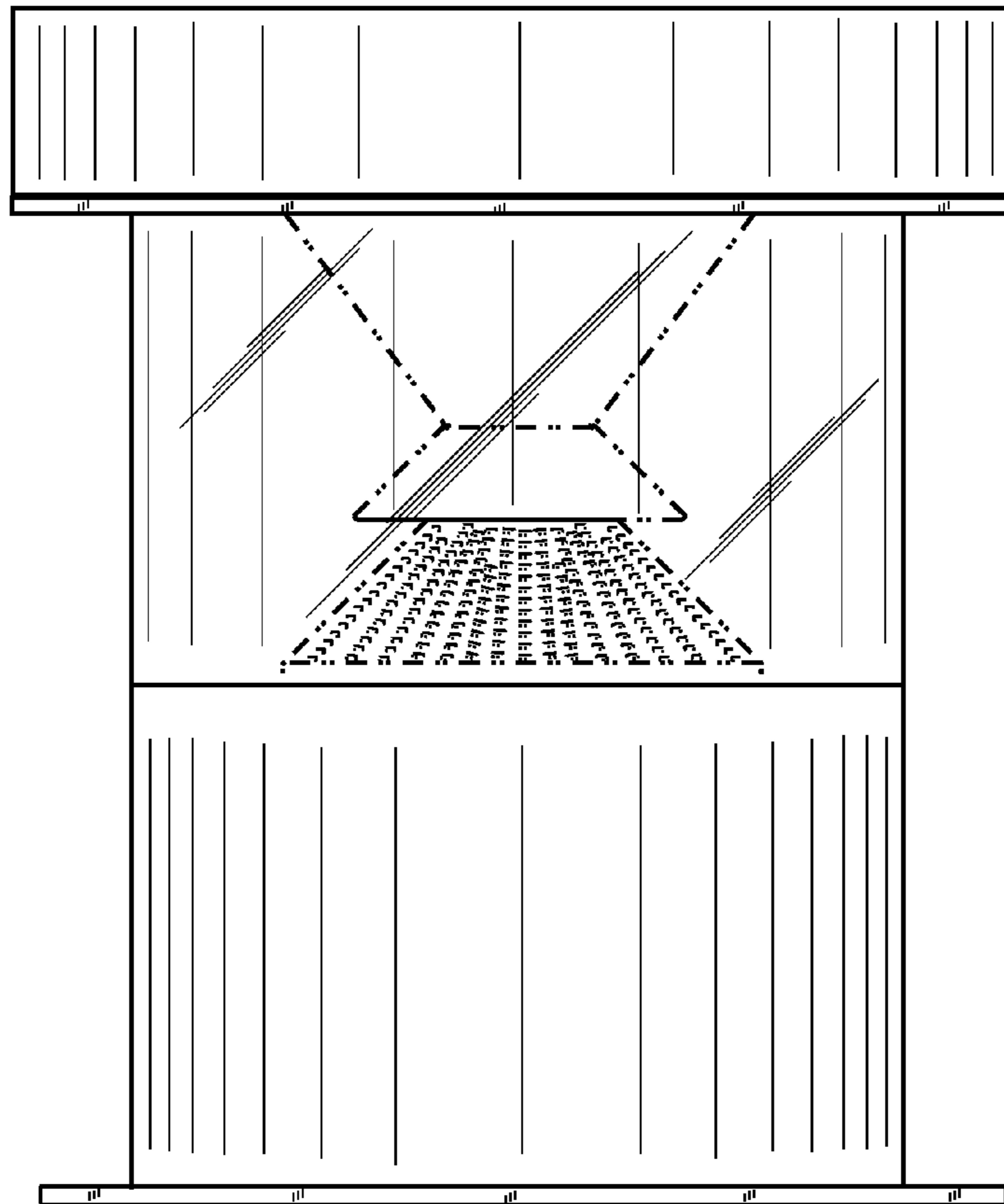


Fig. 6

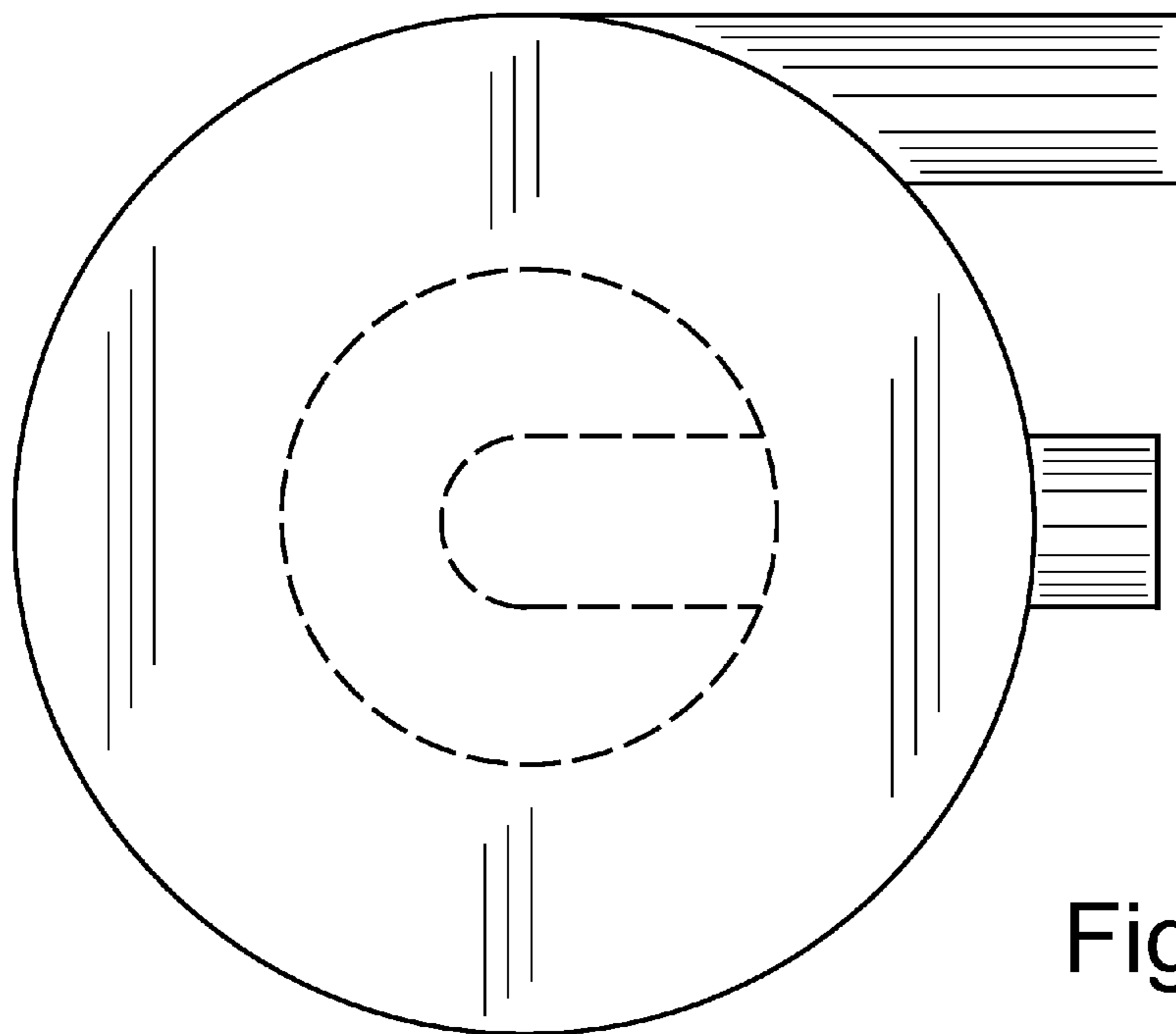
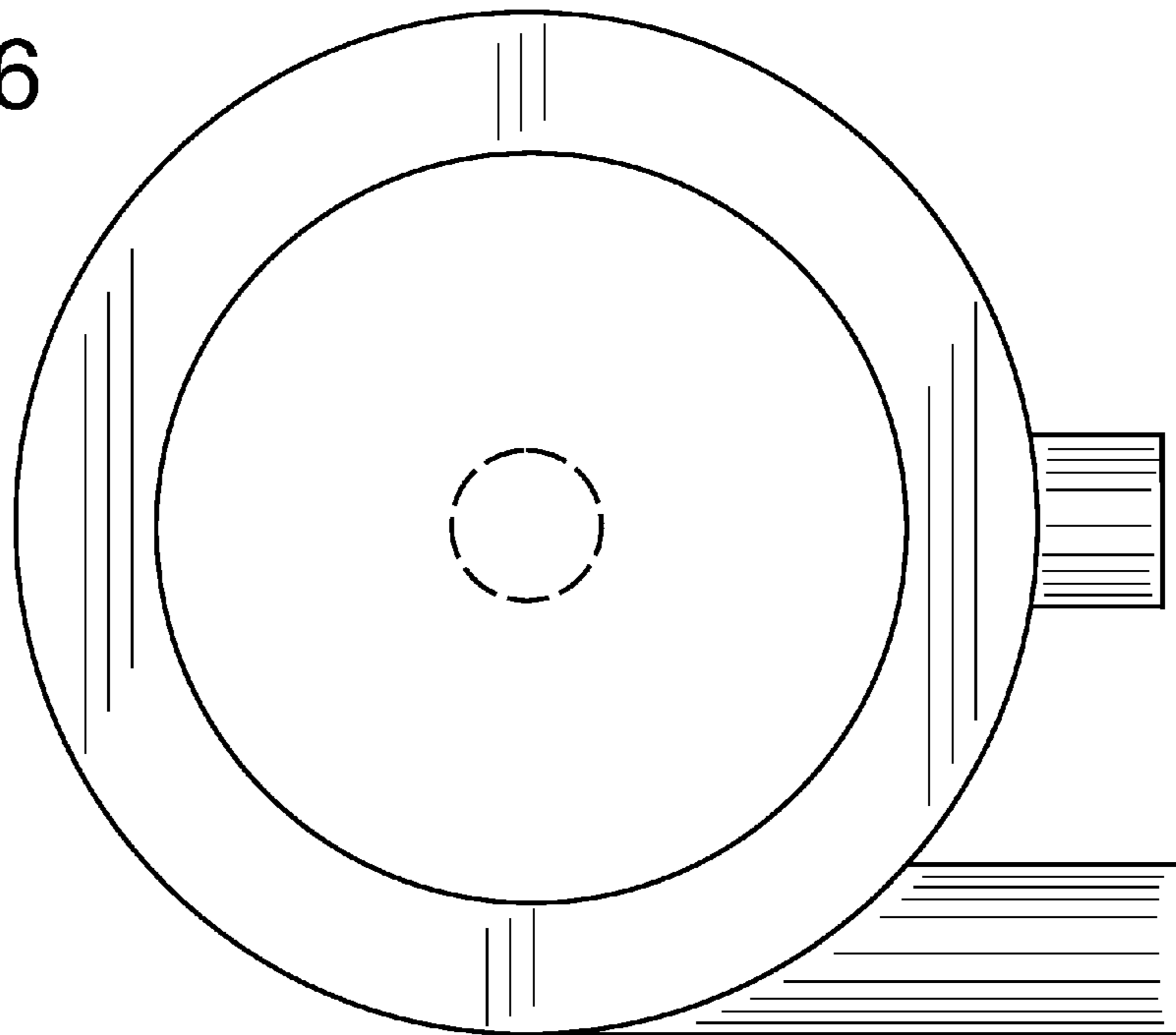


Fig. 7

Fig. 8

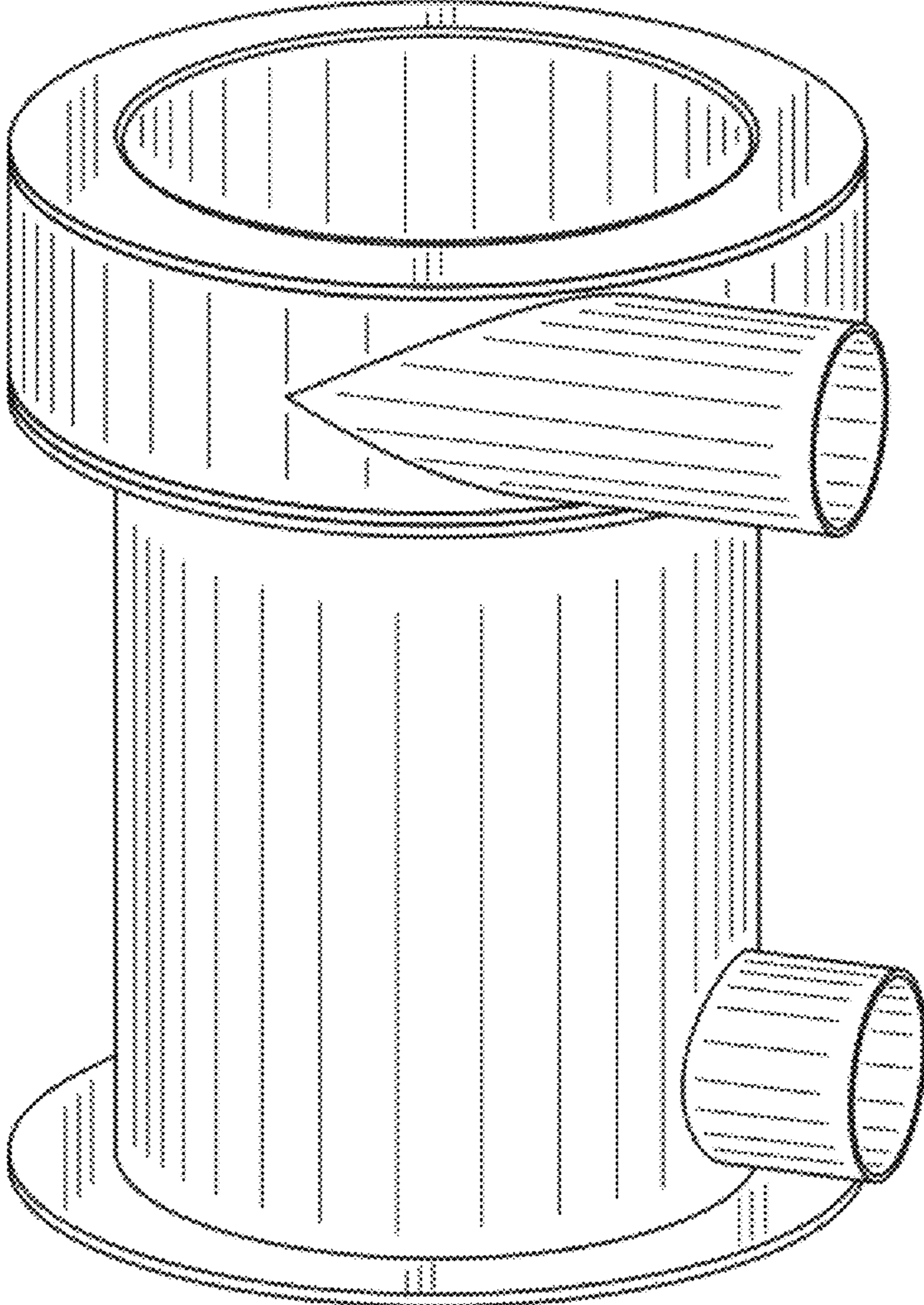


Fig. 9

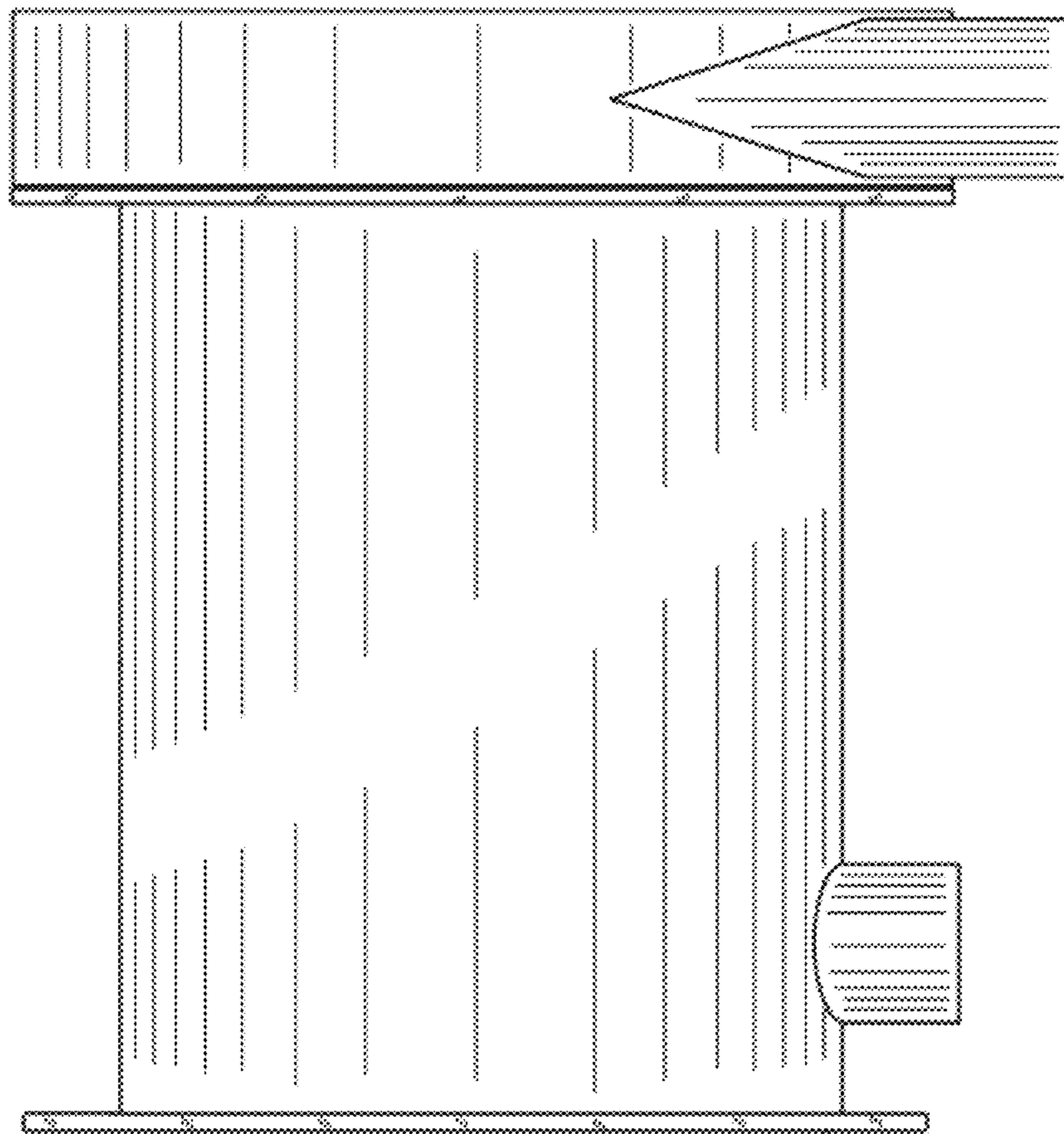


Fig. 10

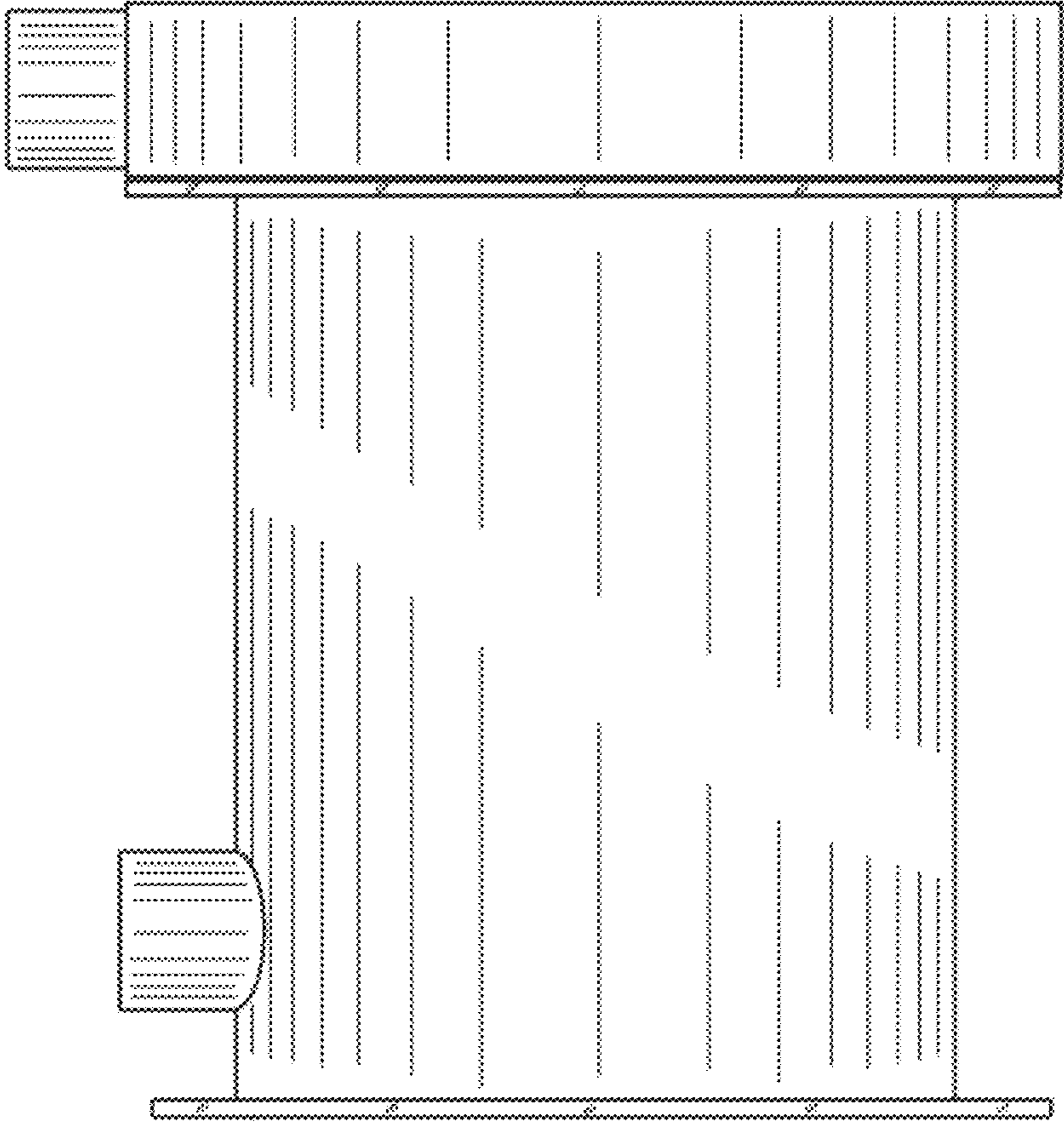


Fig. 11

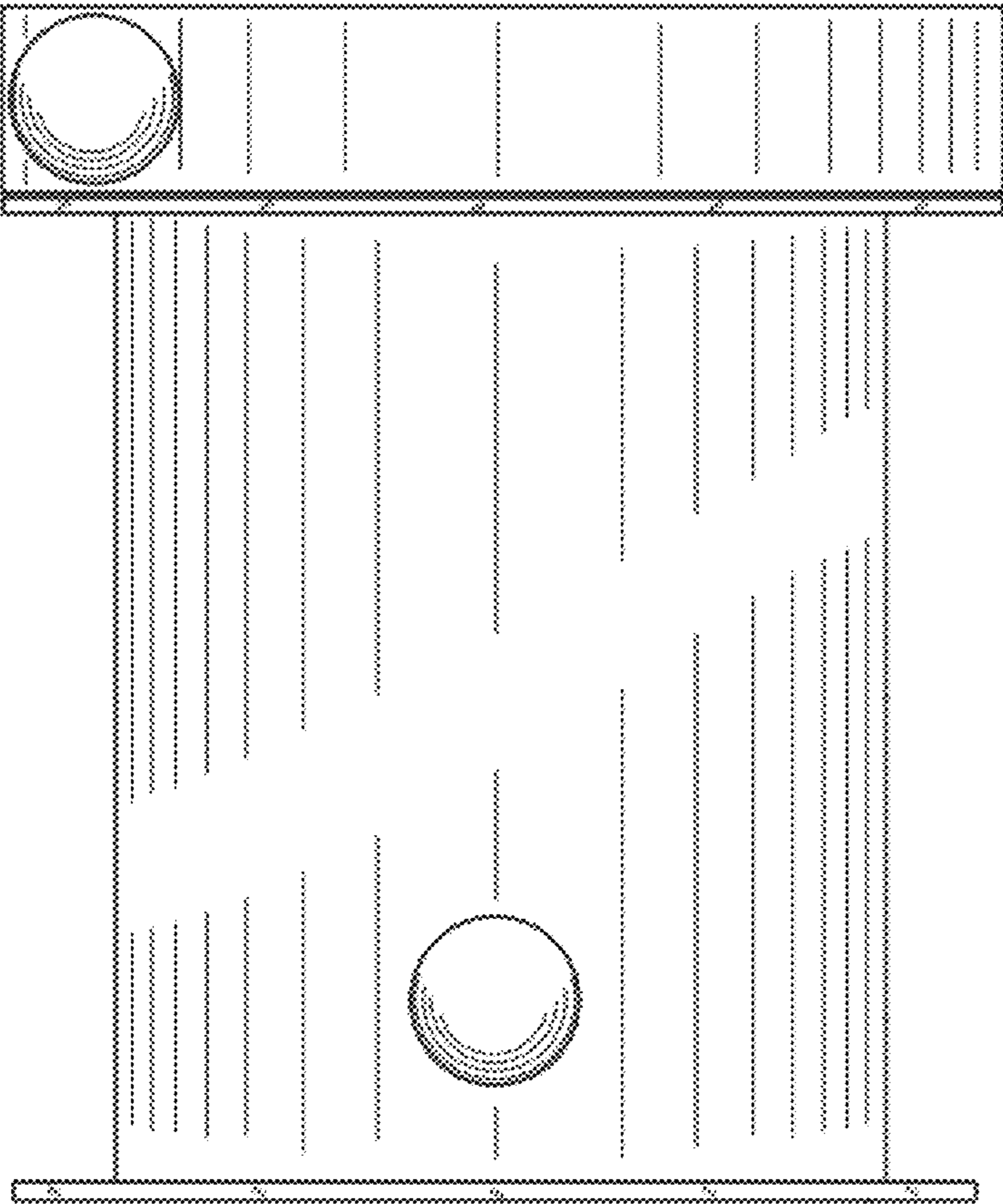


Fig. 12

