



US00D654103S

(12) **United States Design Patent**
Bindhammer

(10) **Patent No.:** **US D654,103 S**

(45) **Date of Patent:** **** Feb. 14, 2012**

(54) **MITRE SAW**

(75) Inventor: **Markus Bindhammer**, Shanghai (CN)

(73) Assignee: **Matrix GmbH**, Worth/Isar (DE)

(**) Term: **14 Years**

(21) Appl. No.: **29/383,534**

(22) Filed: **Jan. 19, 2011**

(30) **Foreign Application Priority Data**

Nov. 4, 2010 (EM) 001777194

(51) **LOC (9) Cl.** **15-09**

(52) **U.S. Cl.** **D15/133**

(58) **Field of Classification Search** D8/61,
D8/64-69; D15/133, 134; 30/377-378,
30/388-391; 83/377, 378, 388, 397, 468.3,
83/469

See application file for complete search history.

(56) **References Cited**

U.S. PATENT DOCUMENTS

D346,173 S * 4/1994 Price D15/133
D366,491 S * 1/1996 Chang D15/133
D388,442 S * 12/1997 Shibata et al. D15/133

D390,766 S * 2/1998 Price et al. D15/133
6,595,095 B2 * 7/2003 Chen 83/473
RE41,320 E * 5/2010 Lo et al. 83/473
D626,156 S * 10/2010 Jebb D15/133
D626,159 S * 10/2010 Jebb D15/133
2002/0100352 A1 * 8/2002 Dils et al. 83/473
2004/0074361 A1 * 4/2004 Svetlik et al. 83/471.3

* cited by examiner

Primary Examiner — Patricia Palasik

(74) *Attorney, Agent, or Firm* — Leason Ellis LLP.

(57) **CLAIM**

The ornamental design for a mitre saw, as shown and described.

DESCRIPTION

FIG. 1 is a perspective view as viewed from the front, left side of a mitre saw;
FIG. 2 is a front elevational view and the rear elevational view being a mirror image of the solid line portion;
FIG. 3 is a right side view thereof;
FIG. 4 is a top plan view thereof;
FIG. 5 is a bottom plan view thereof; and,
FIG. 6 is a left side view thereof.

The phantom lines depict environmental subject matter only and form no part of the claimed design.

1 Claim, 3 Drawing Sheets

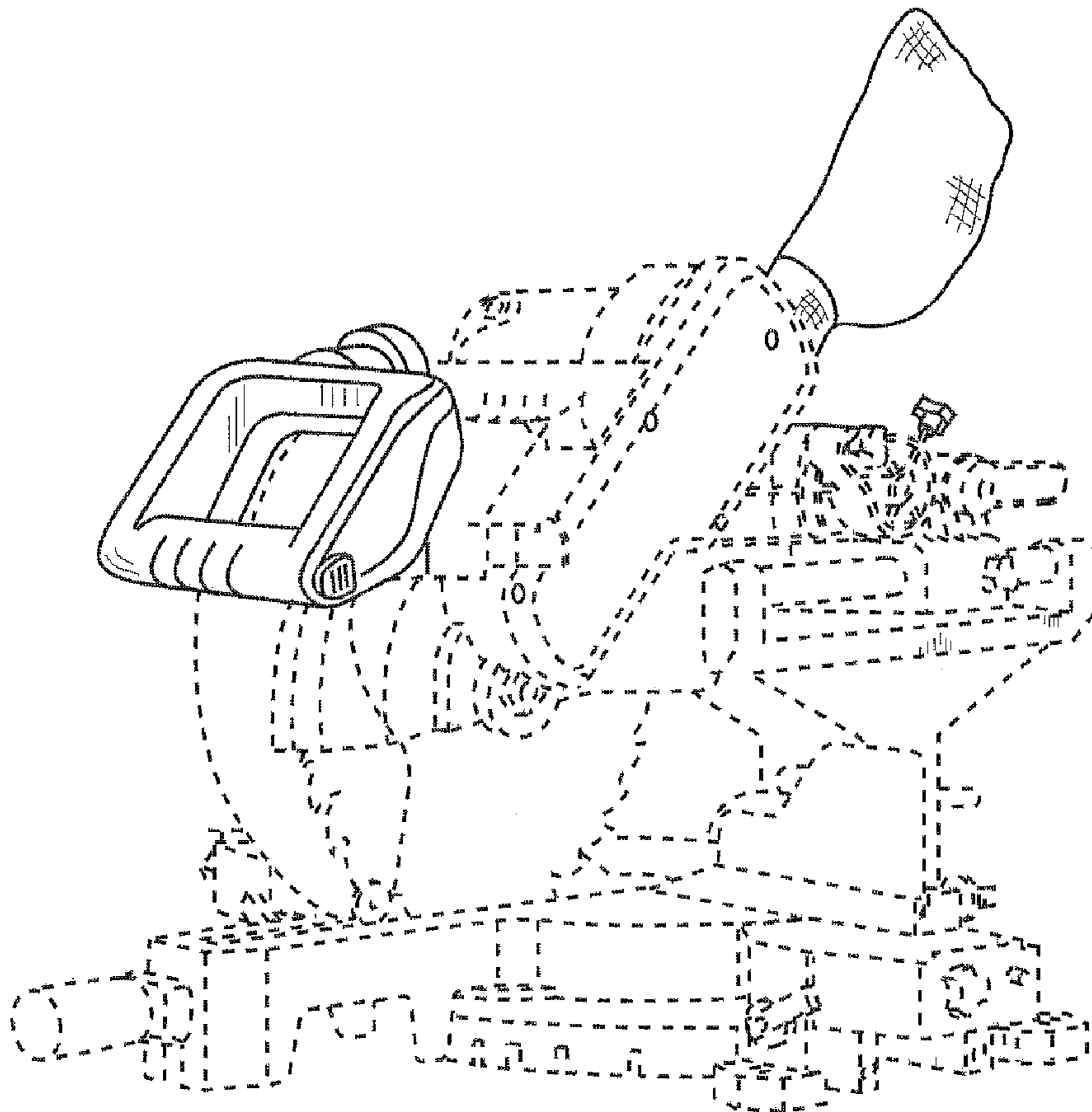


FIG. 1

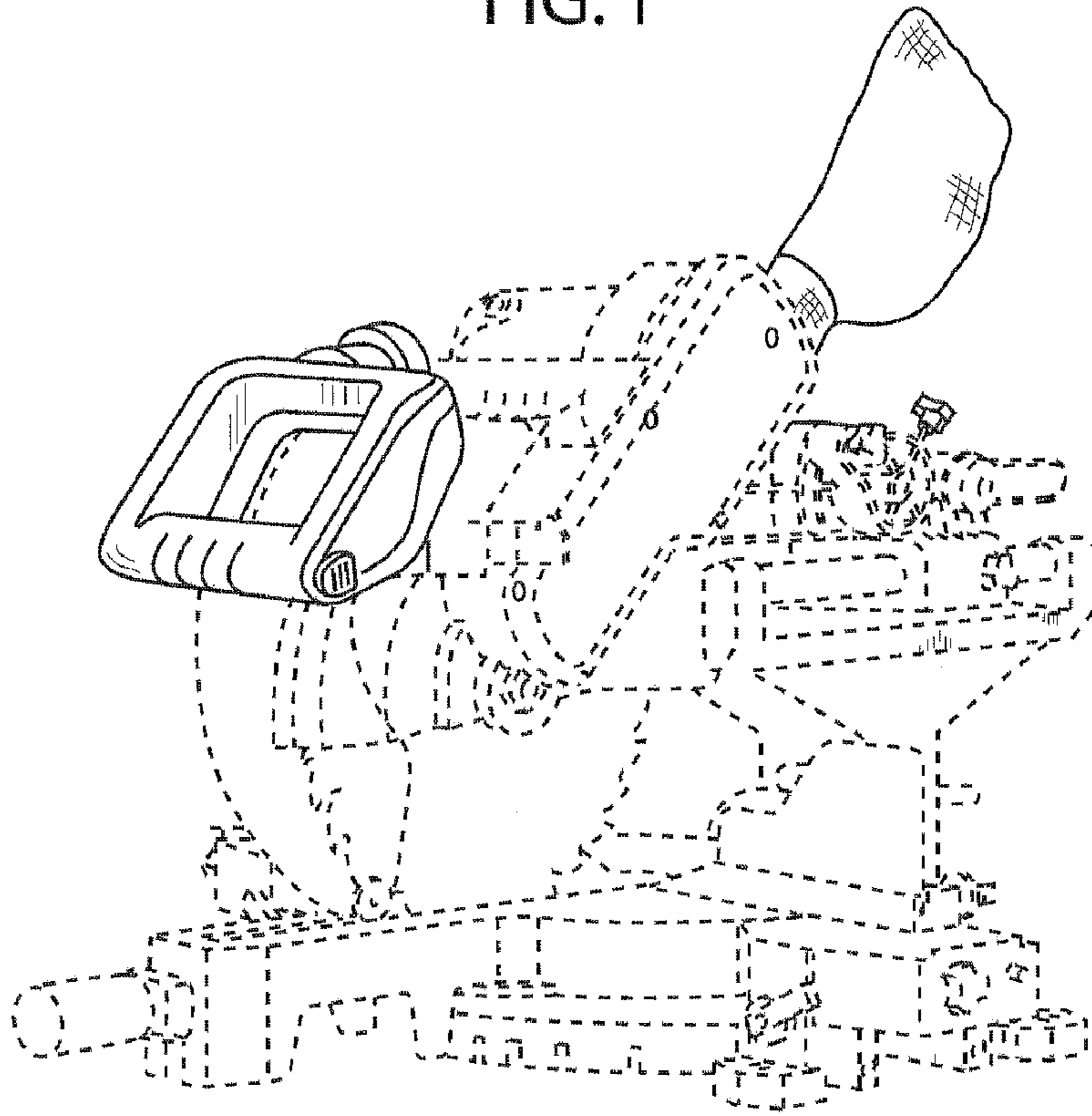


FIG. 2

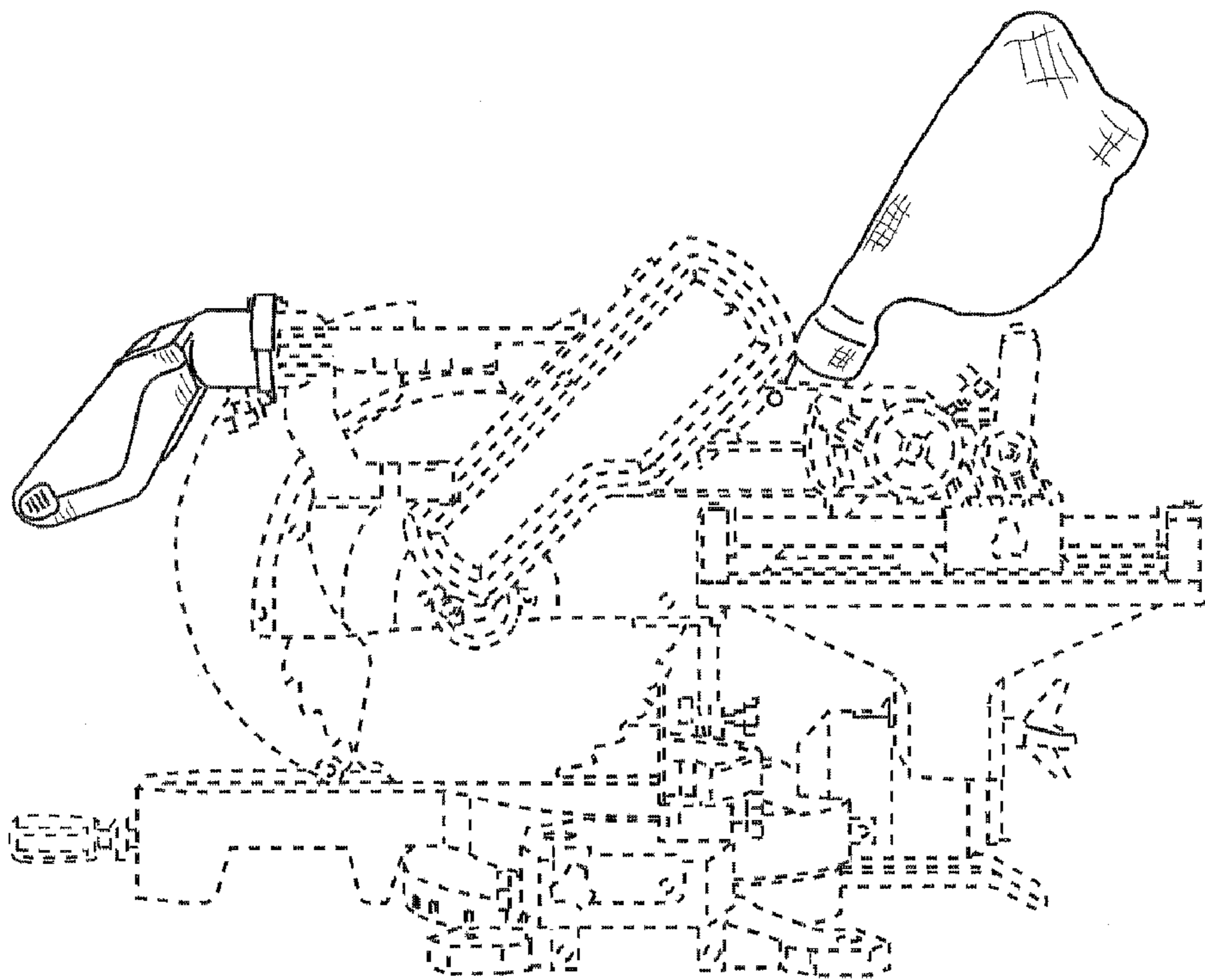


FIG. 3

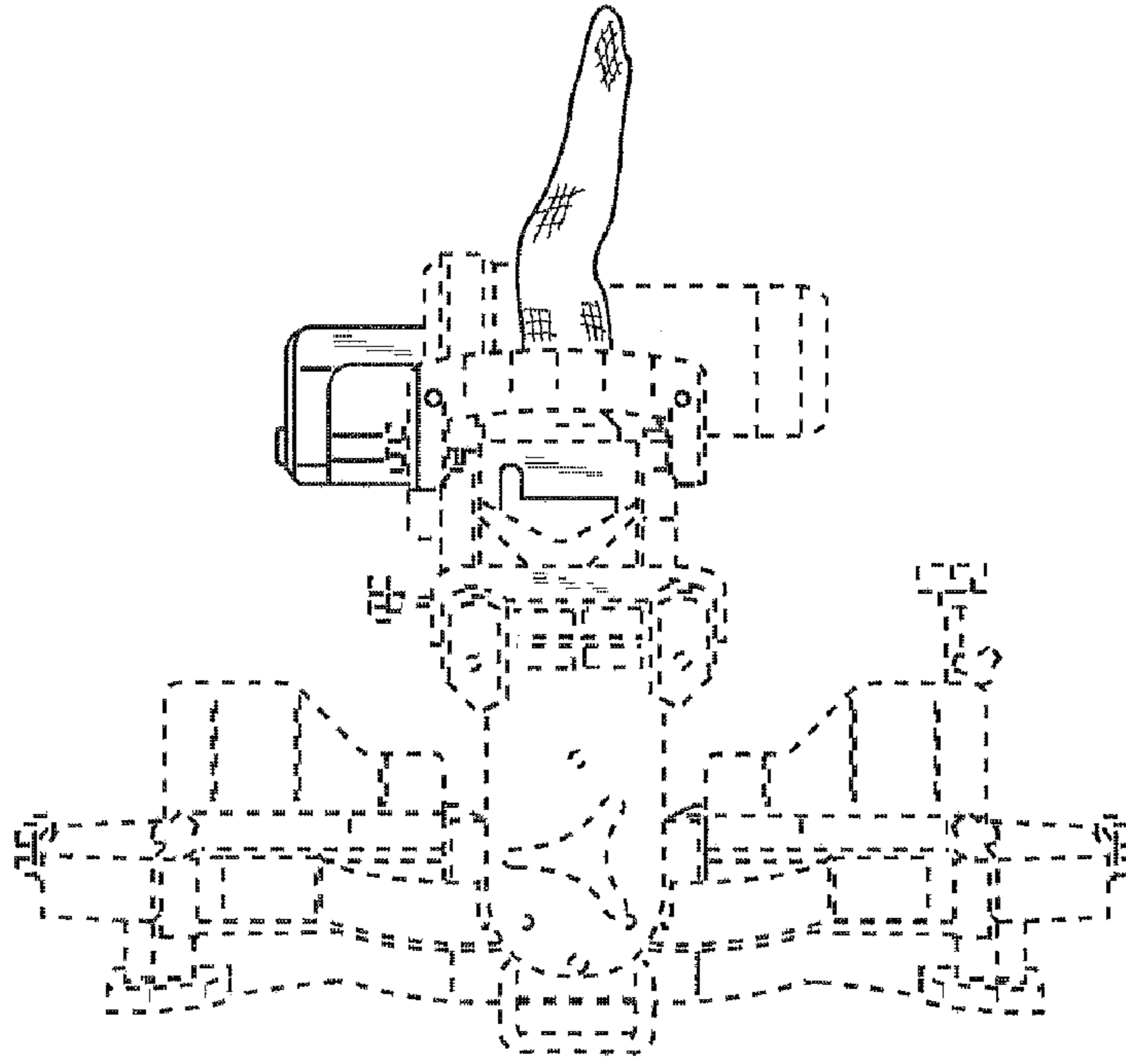


FIG. 4

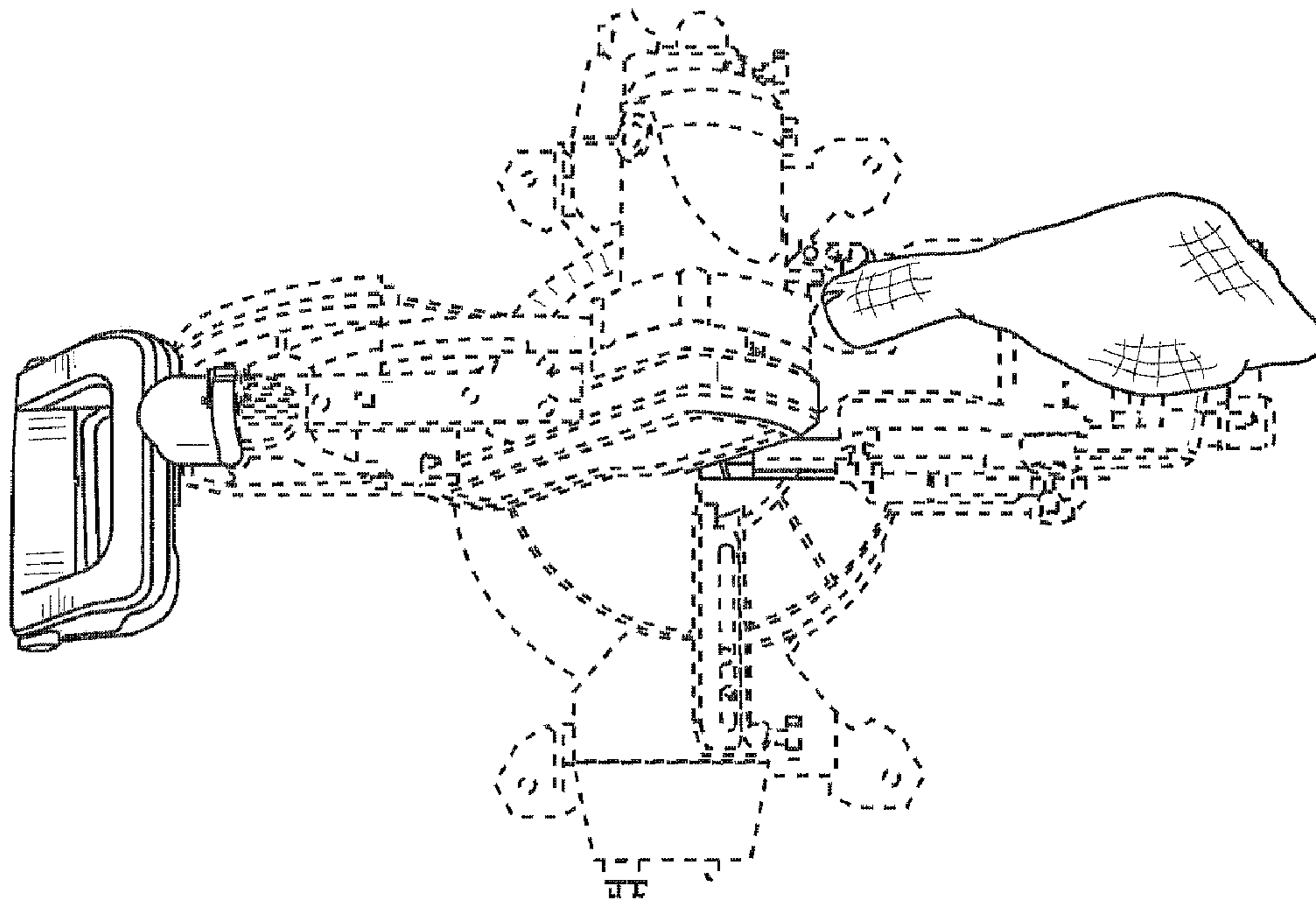


FIG. 5

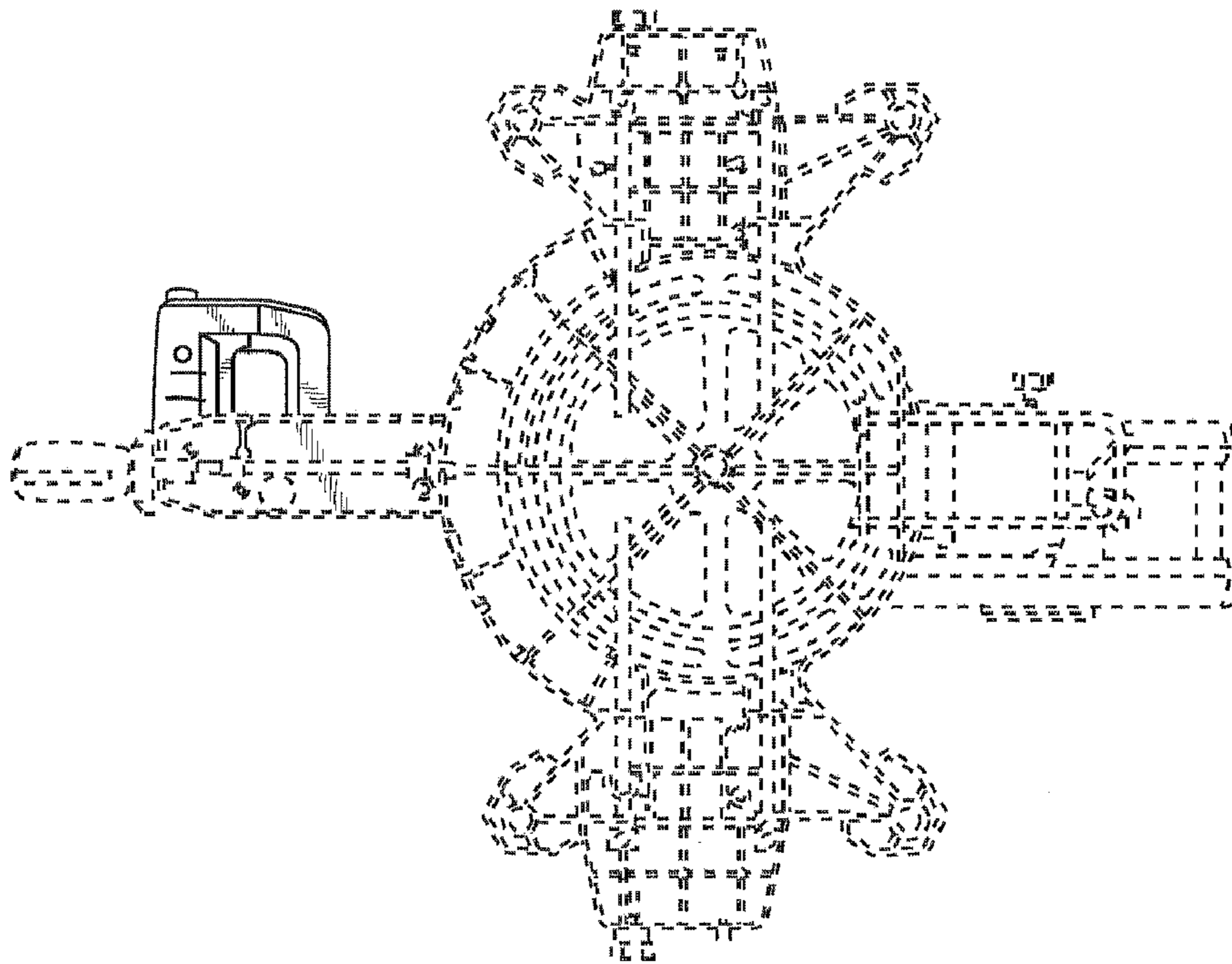


FIG. 6

