



US00D654102S

(12) **United States Design Patent**
Bindhammer

(10) **Patent No.:** **US D654,102 S**

(45) **Date of Patent:** **** Feb. 14, 2012**

(54) **MITRE SAW**

(75) **Inventor:** **Markus Bindhammer**, Shanghai (CN)

(73) **Assignee:** **Matrix GmbH**, Worth/Isar (DE)

(**) **Term:** **14 Years**

(21) **Appl. No.:** **29/383,523**

(22) **Filed:** **Jan. 19, 2011**

(30) **Foreign Application Priority Data**

Nov. 4, 2010 (EM) 001777194

(51) **LOC (9) Cl.** **15-09**

(52) **U.S. Cl.** **D15/133**

(58) **Field of Classification Search** D8/61,
D8/64-69; D15/133, 134; 30/377-378,
30/388-391; 83/377, 378, 388, 397, 468.3,
83/469

See application file for complete search history.

(56) **References Cited**

U.S. PATENT DOCUMENTS

D400,215 S *	10/1998	Price et al.	D15/133
D421,267 S *	2/2000	Price et al.	D15/133
D459,373 S *	6/2002	Hollinger et al.	D15/133
D520,033 S *	5/2006	Firth	D15/133
D535,670 S *	1/2007	Firth	D15/133
D547,338 S *	7/2007	Firth	D15/133
D608,375 S *	1/2010	Kokawa et al.	D15/133

D623,204 S *	9/2010	Weusthof	D15/133
D626,159 S *	10/2010	Jebb	D15/133
2009/0095141 A1 *	4/2009	Billings et al.	83/468.3

* cited by examiner

Primary Examiner — Patricia Palasik

(74) *Attorney, Agent, or Firm* — Leason Ellis LLP.

(57) **CLAIM**

The ornamental design for a mitre saw, as shown and described.

DESCRIPTION

FIG. 1 is a perspective view as viewed from the front, left side of a mitre saw;

FIG. 2 is a front elevational view thereof;

FIG. 3 is a right side view thereof;

FIG. 4 is a top plan view thereof;

FIG. 5 is a bottom plan view thereof;

FIG. 6 is a left side view thereof;

FIG. 7 is a rear elevational view thereof;

FIG. 8 is a perspective view, as viewed from the rear, showing the handle in the raised position;

FIG. 9 is a rear elevational view showing the handle in raised position; and,

FIG. 10 is a front elevational view showing the handle in raised position.

The broken lines in the drawings depict unclaimed environmental subject matter.

1 Claim, 6 Drawing Sheets

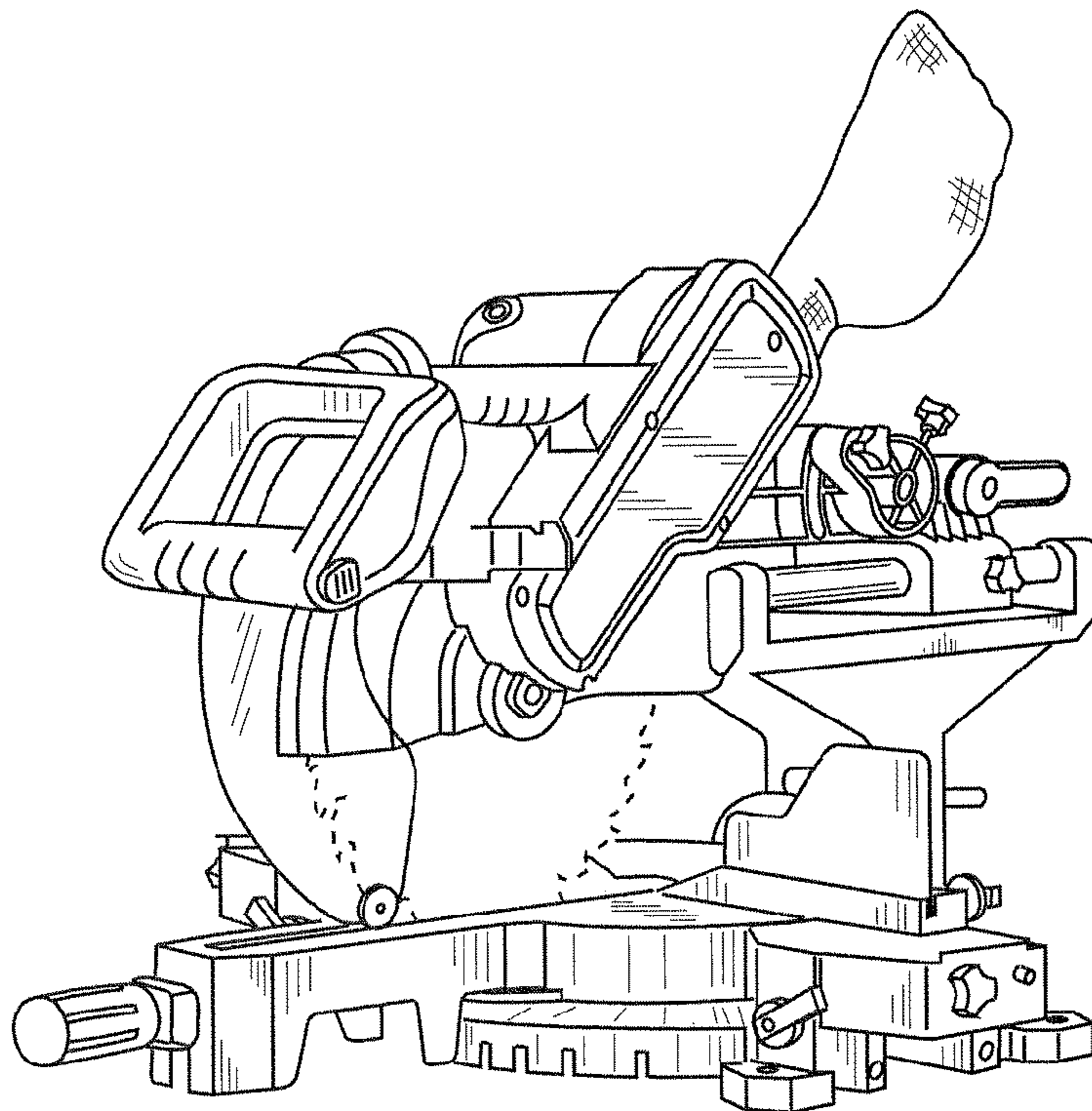


FIG. 1

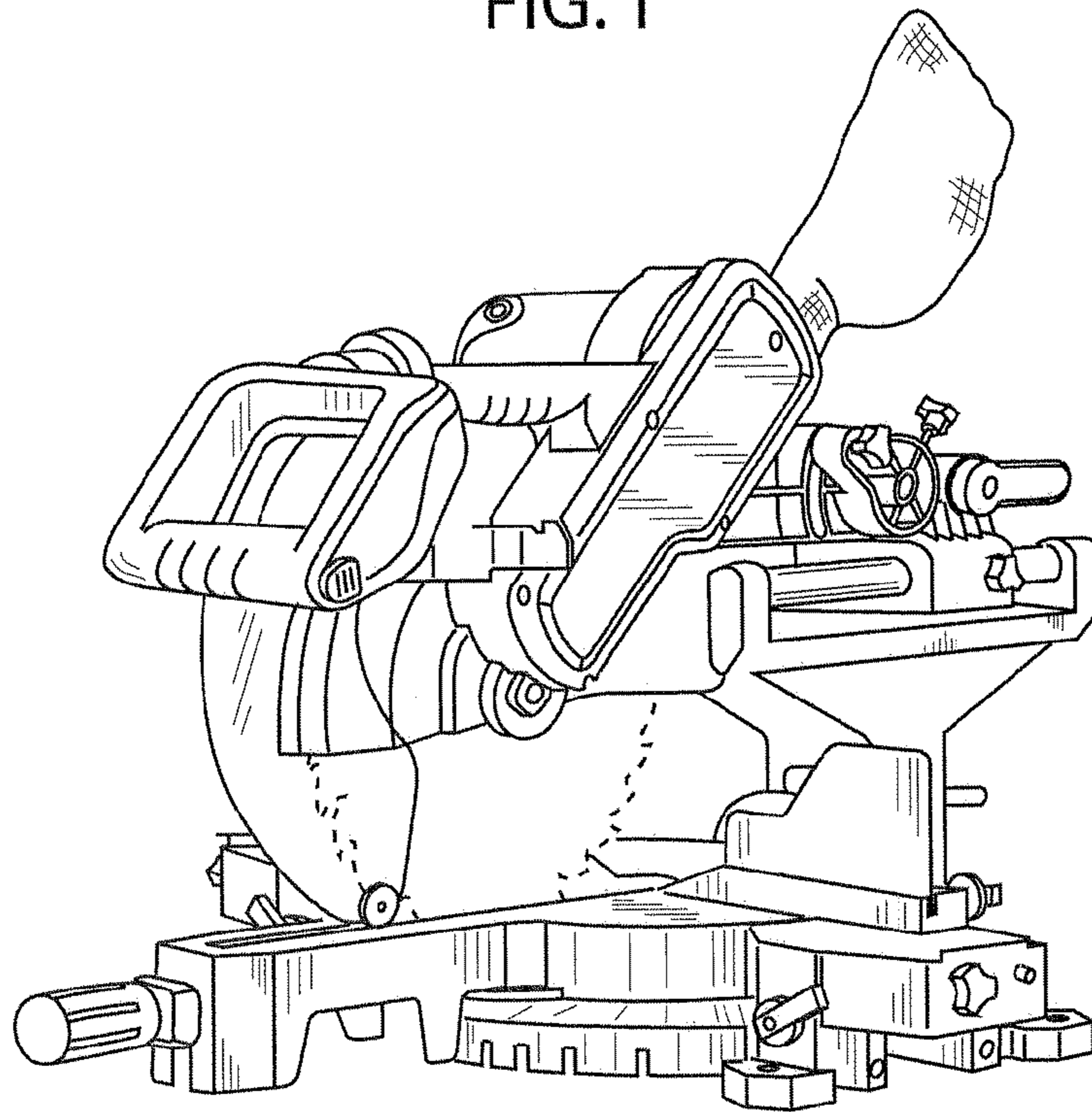


FIG. 2

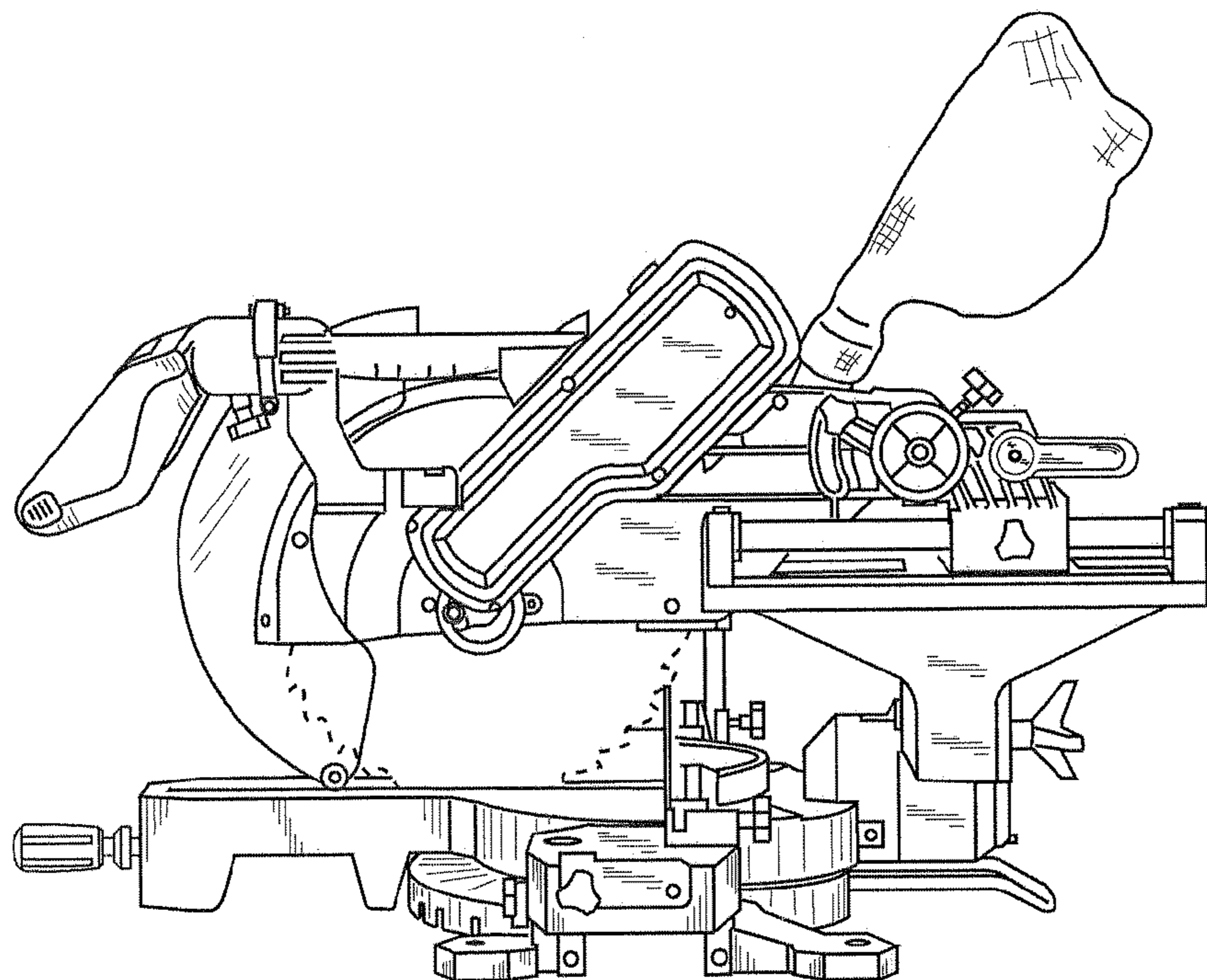


FIG. 3

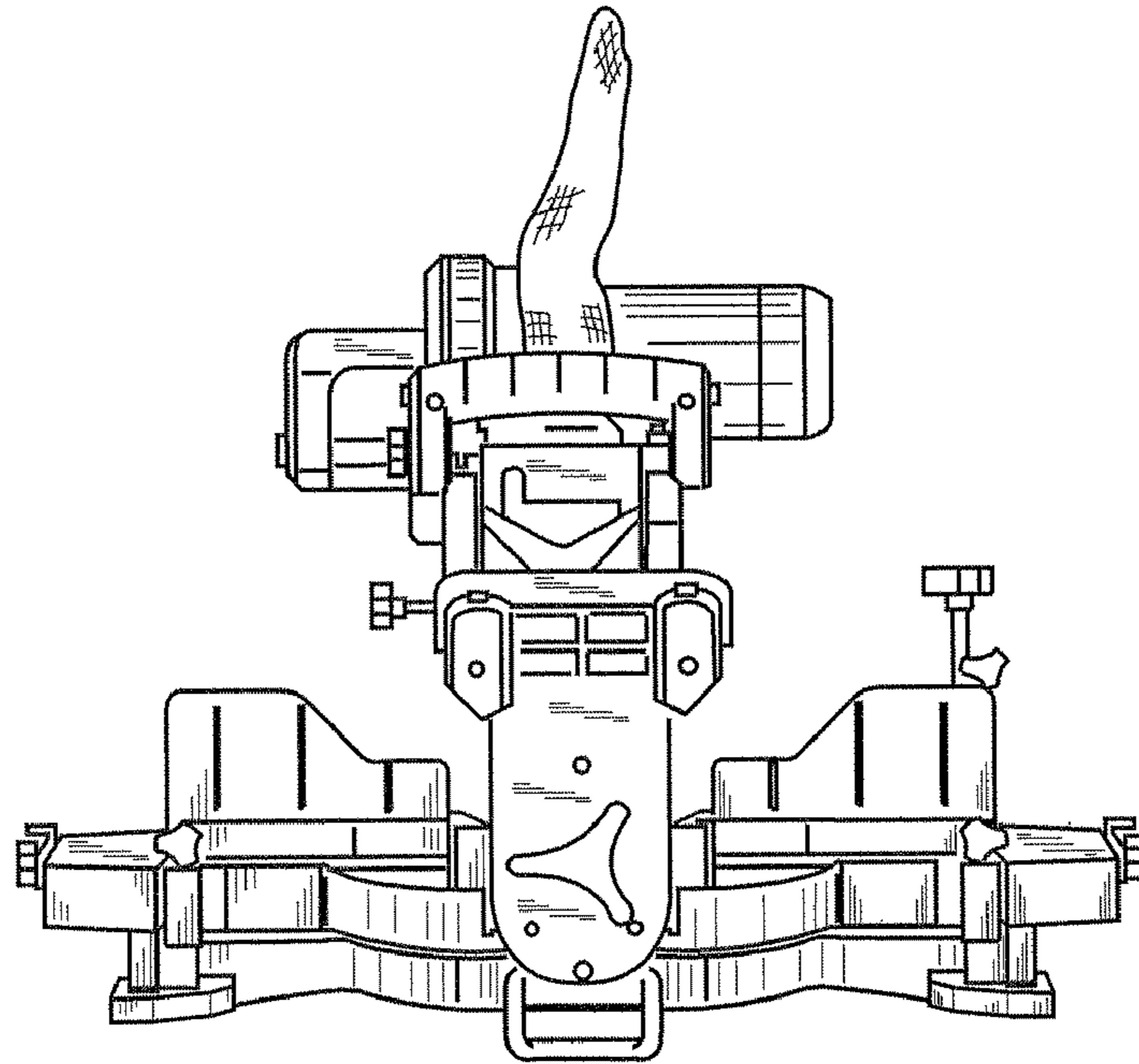


FIG. 4

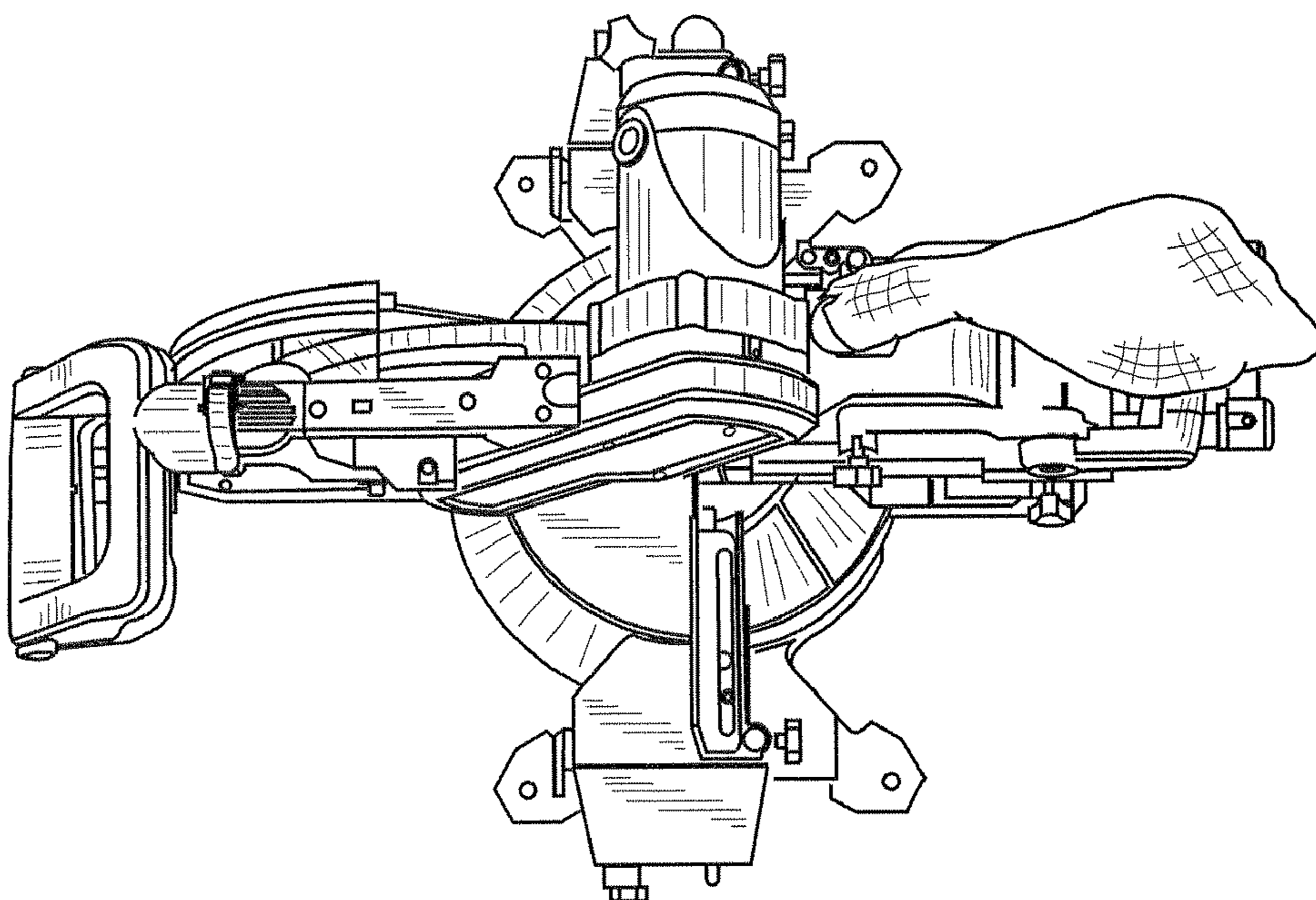


FIG. 5

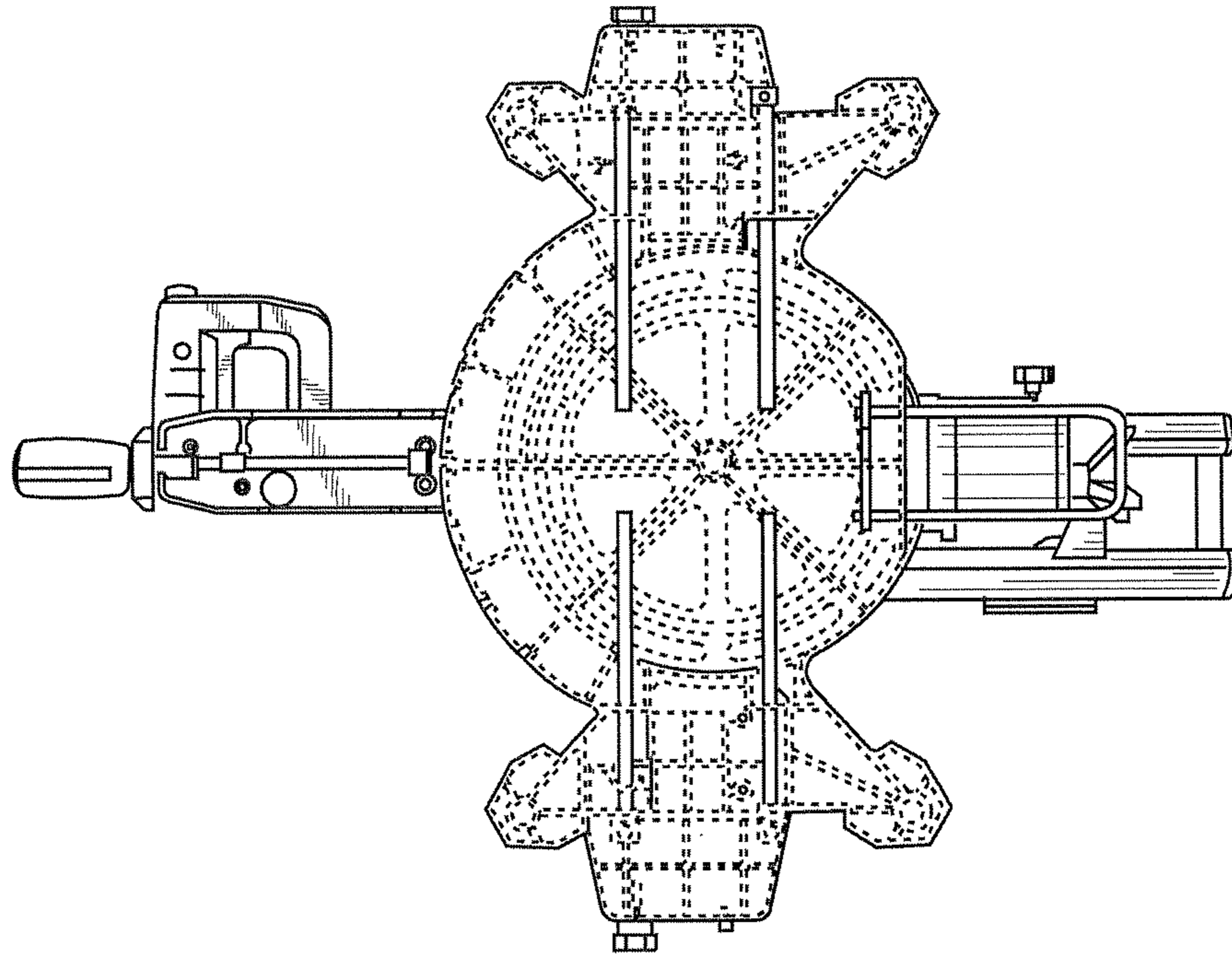


FIG. 6

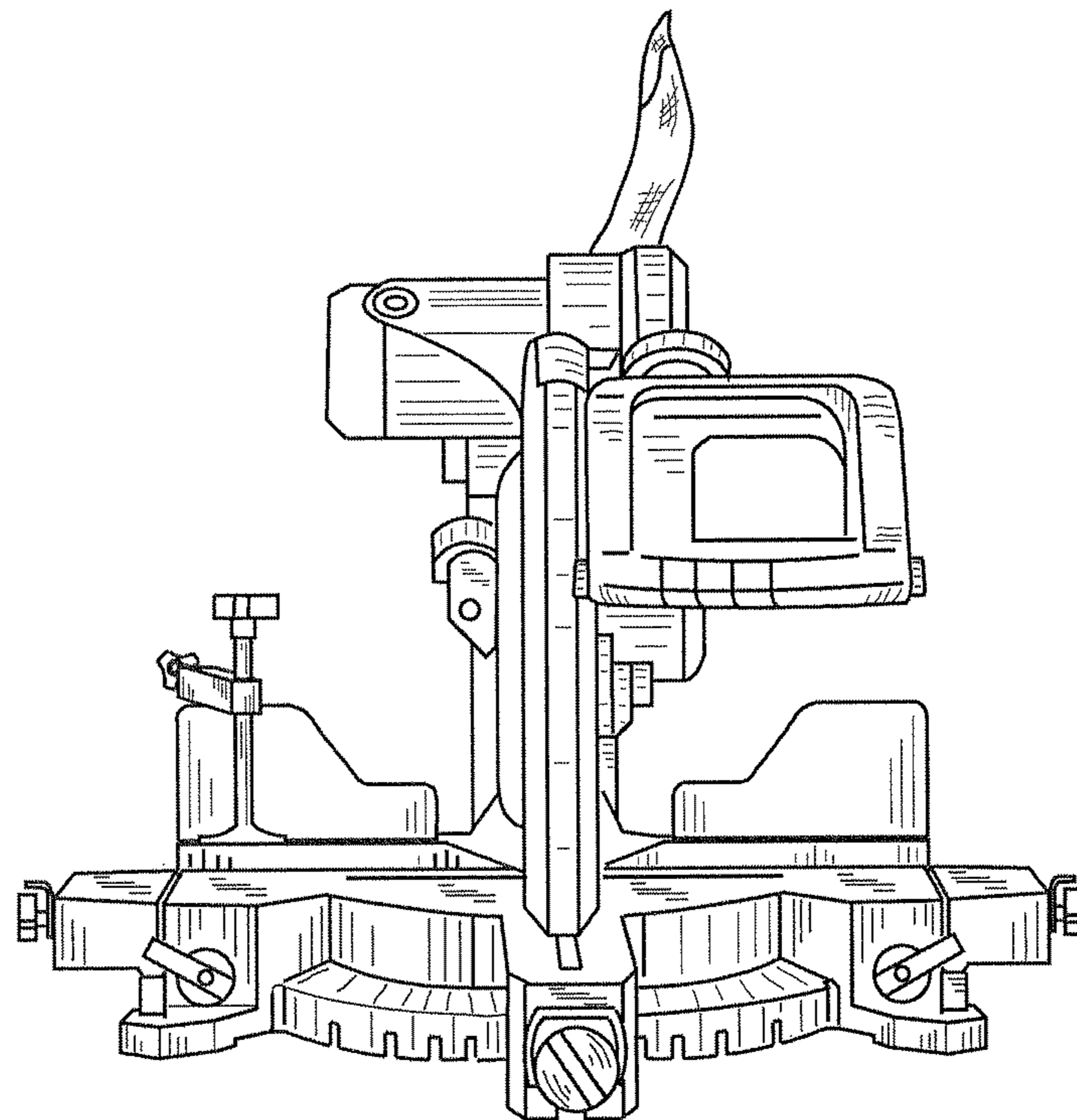


FIG. 7

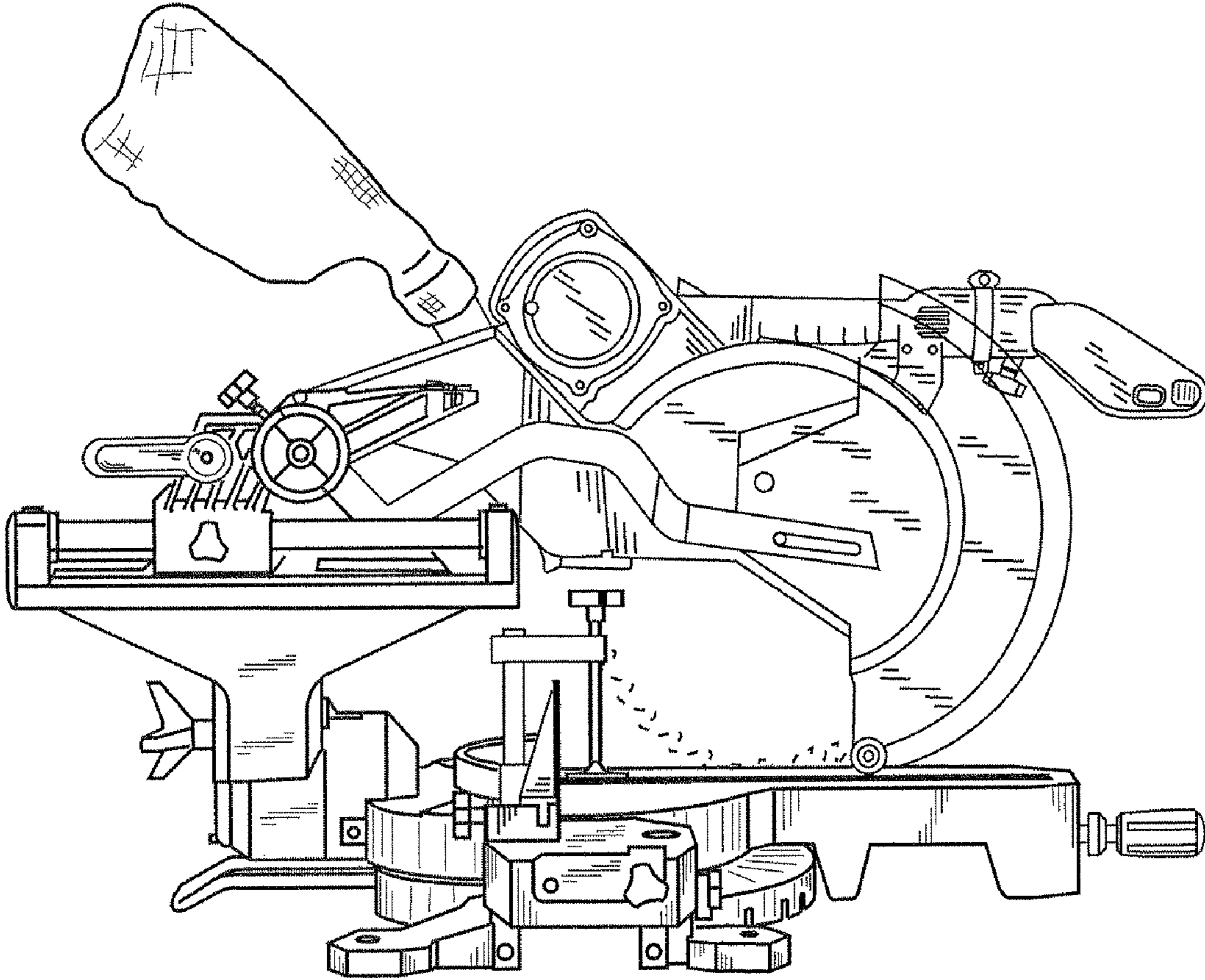


FIG. 8

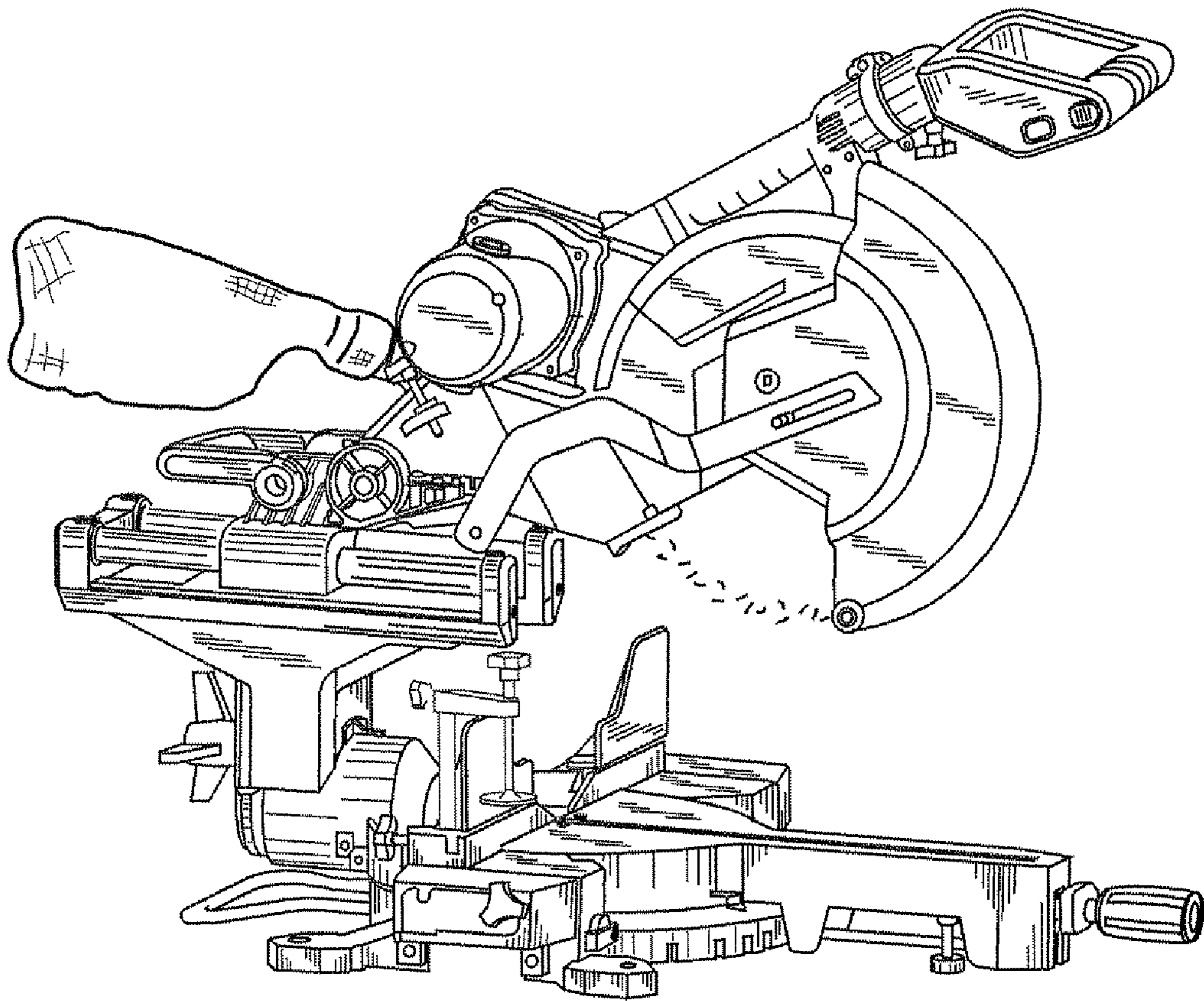


FIG. 9

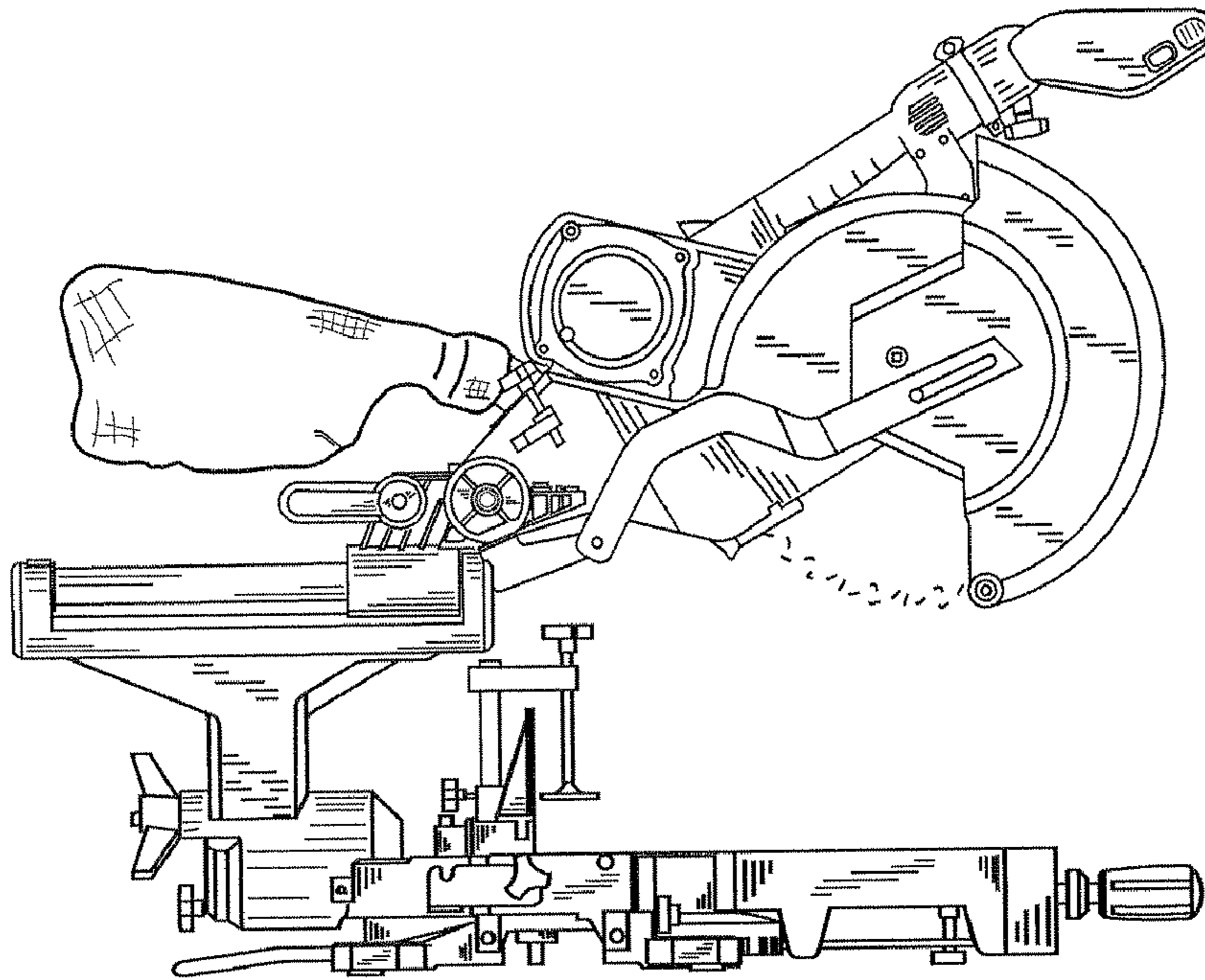


FIG. 10

