

US00D654101S

(12) **United States Design Patent**
Dale

(10) **Patent No.:** **US D654,101 S**

(45) **Date of Patent:** **** Feb. 14, 2012**

(54) **BLADE GUIDE**

(75) **Inventor:** **Peter Dale, Kilworthy (CA)**

(73) **Assignee:** **Norwood Industries Inc., Kilworthy, Ontario (CA)**

(**) **Term:** **14 Years**

(21) **Appl. No.:** **29/361,027**

(22) **Filed:** **May 4, 2010**

(51) **LOC (9) Cl.** **15-09**

(52) **U.S. Cl.** **D15/127**

(58) **Field of Classification Search** D8/64,
D8/66; D15/127, 133, 134; 83/13, 62.1,
83/72, 76.7, 403.1, 425.2, 471.3, 485, 489,
83/571, 659, 707, 748, 750, 788, 794, 797,
83/801, 809-820; 144/2.1

See application file for complete search history.

D617,354	S	6/2010	Banjo et al.	
7,743,802	B2 *	6/2010	McGehee et al.	144/3.1
7,798,039	B2 *	9/2010	Schurch et al.	83/13
7,861,751	B2 *	1/2011	McGehee	144/3.1
2001/0002568	A1 *	6/2001	Belfiglio	83/820
2006/0117926	A1	6/2006	Dale et al.	
2006/0179982	A1	8/2006	Fenton et al.	
2007/0234869	A1	10/2007	Dale et al.	
2008/0099101	A1 *	5/2008	Chiang	144/2.1
2008/0173151	A1 *	7/2008	Belfiglio	83/820
2010/0132839	A1	6/2010	Dale et al.	
2010/0180985	A1	7/2010	Burton	
2011/0072949	A1 *	3/2011	Jourdan	83/820

* cited by examiner

Primary Examiner — Patricia Palasik

(74) *Attorney, Agent, or Firm* — Woodcock Washburn LLP

(57) **CLAIM**

I claim the ornamental design for a blade guide, as shown and described.

DESCRIPTION

FIG. 1 is left side perspective view of the blade guide showing my new design;

FIG. 2 is a top front and right side perspective view thereof;

FIG. 3 is a bottom right and front perspective view thereof;

FIG. 4 is a left side elevation view of my new design;

FIG. 5 is a right side elevation view thereof;

FIG. 6 is a bottom plan view of my new design;

FIG. 7 is a top plan view thereof;

FIG. 8 is a rear elevation view of my new design; and,

FIG. 9 is a front elevation view thereof.

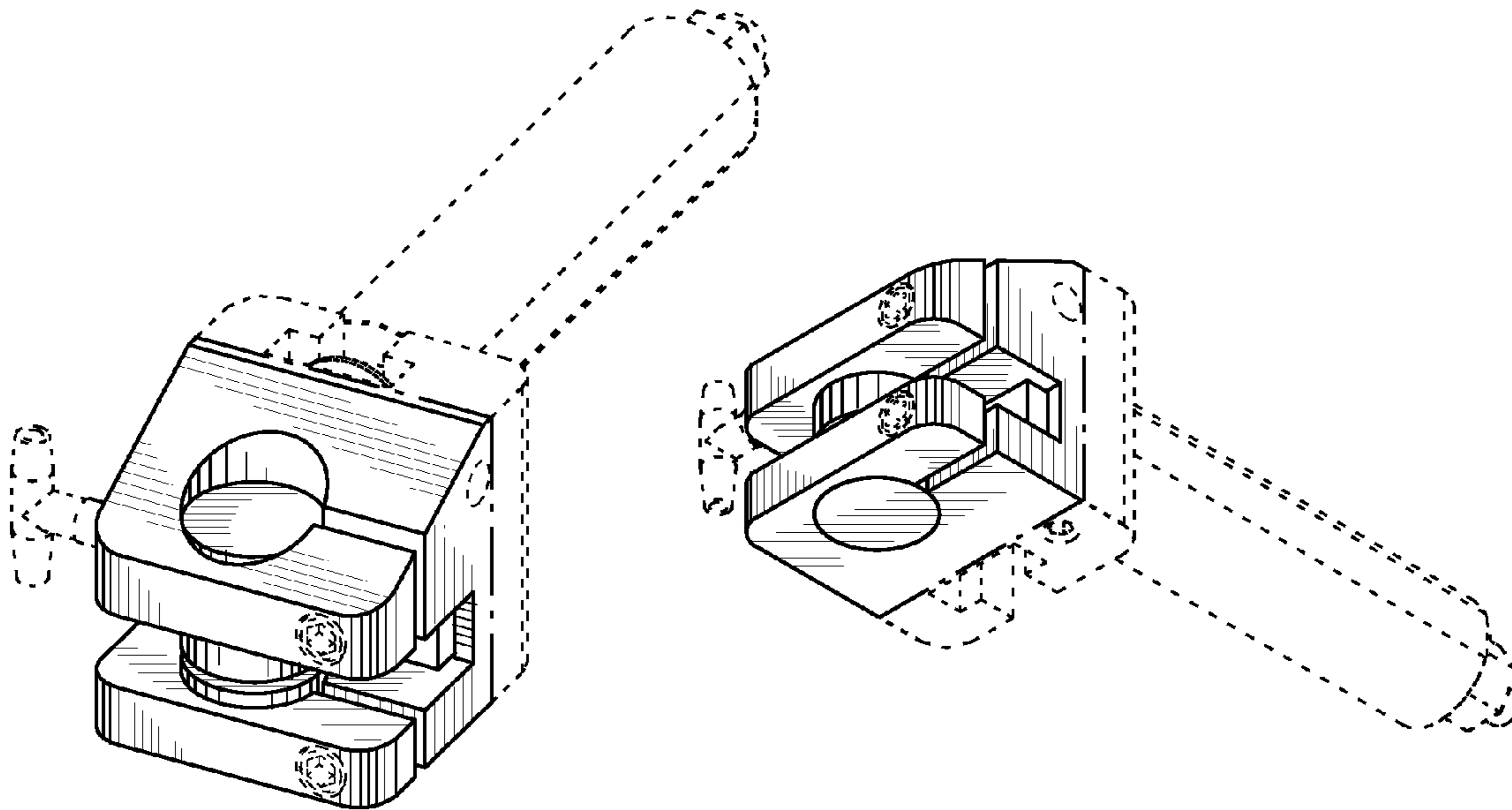
The broken lines immediately adjacent the shaded areas represent the bounds of the claimed design while all other broken lines are directed to environment and are for illustrative purposes only.

1 Claim, 4 Drawing Sheets

(56) **References Cited**

U.S. PATENT DOCUMENTS

3,124,181	A *	3/1964	Clemans	269/315
3,747,455	A	7/1973	Hartzell et al.	
3,913,439	A	10/1975	Large	
4,275,632	A	6/1981	Ross	
4,327,621	A *	5/1982	Voorhees et al.	83/820
D267,095	S *	11/1982	Cook	D15/140
D273,497	S *	4/1984	Steineman	D15/138
4,559,858	A	12/1985	Laskowski et al.	
4,584,918	A	4/1986	Stubbe et al.	
D308,873	S *	6/1990	Hsieh	D15/138
5,189,848	A *	3/1993	Flaherty	451/45
D360,640	S *	7/1995	Krippelz	D15/134
5,784,941	A	7/1998	Sanborn	
5,819,626	A	10/1998	Lucas	
5,893,308	A *	4/1999	Katamachi et al.	83/13
6,722,248	B1	4/2004	Johnston, Sr.	
7,444,912	B2	11/2008	Fenton et al.	



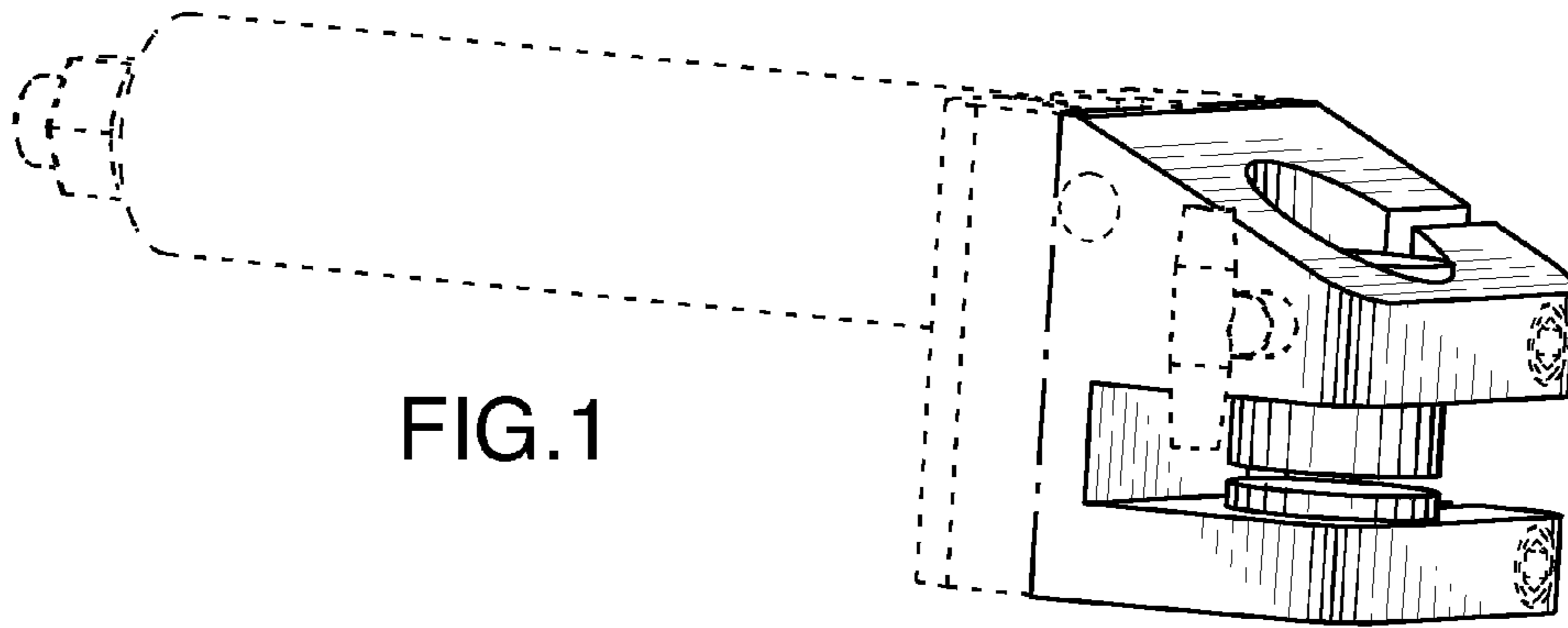


FIG.1

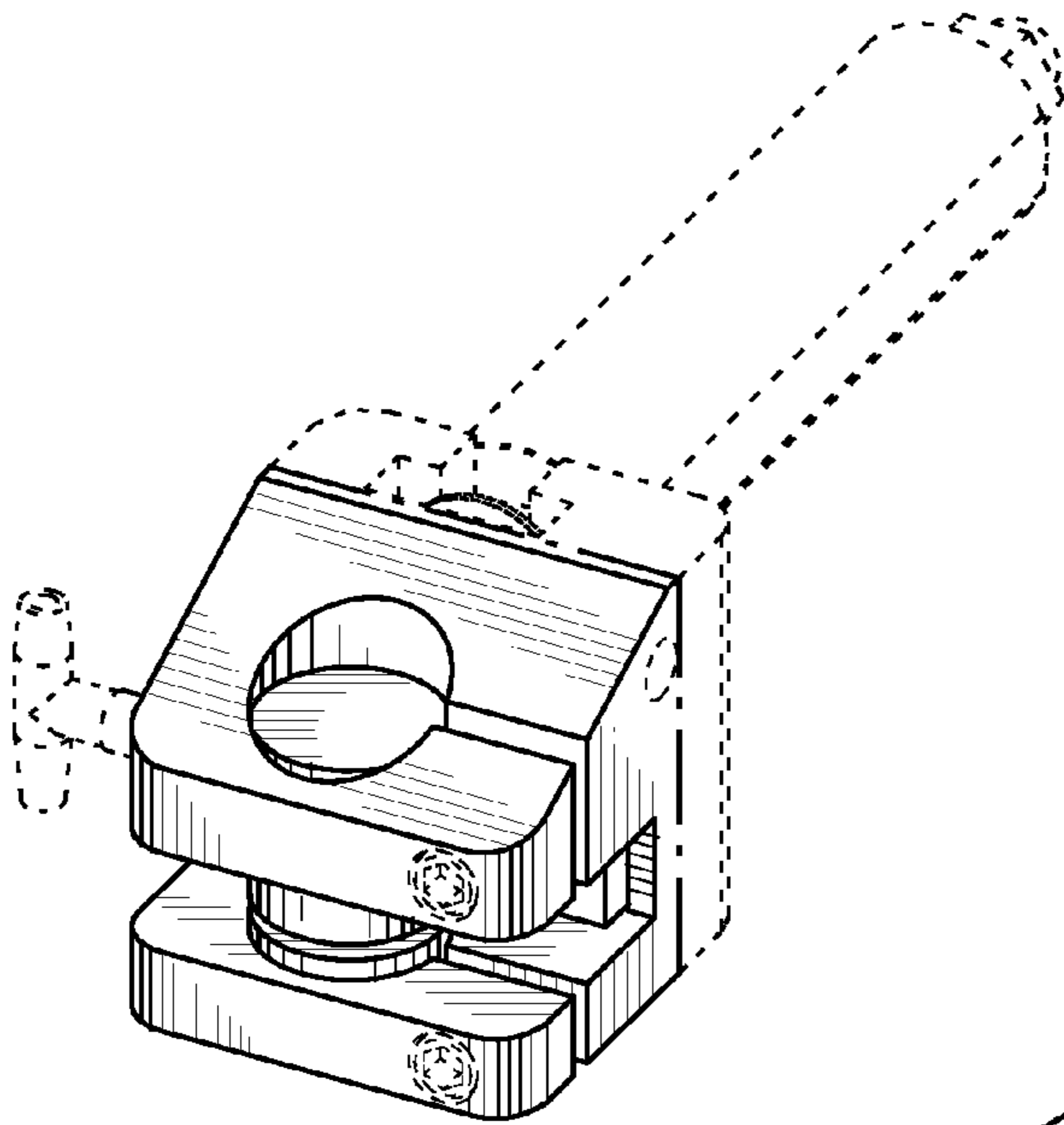


FIG.2

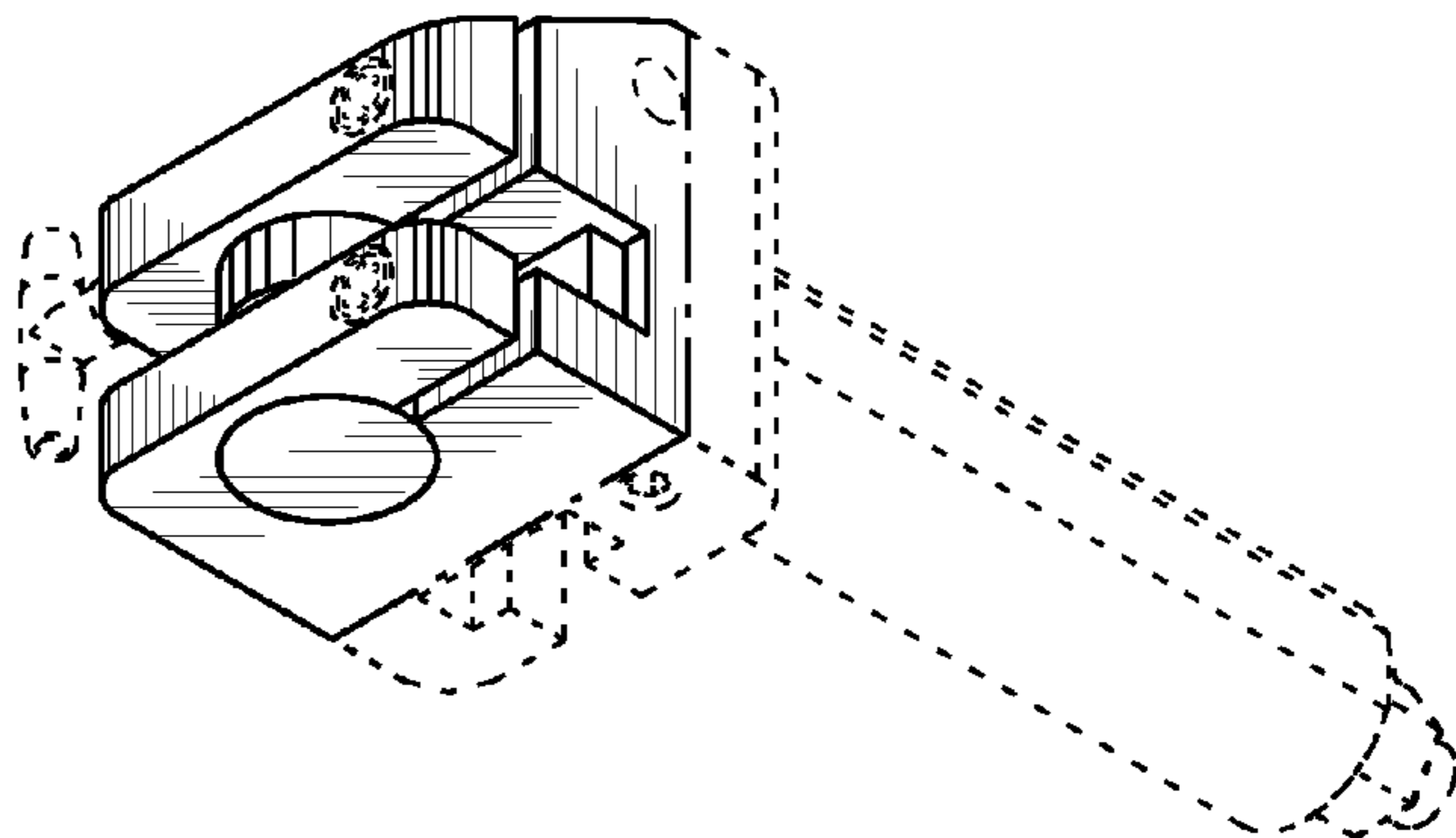


FIG.3



FIG. 4

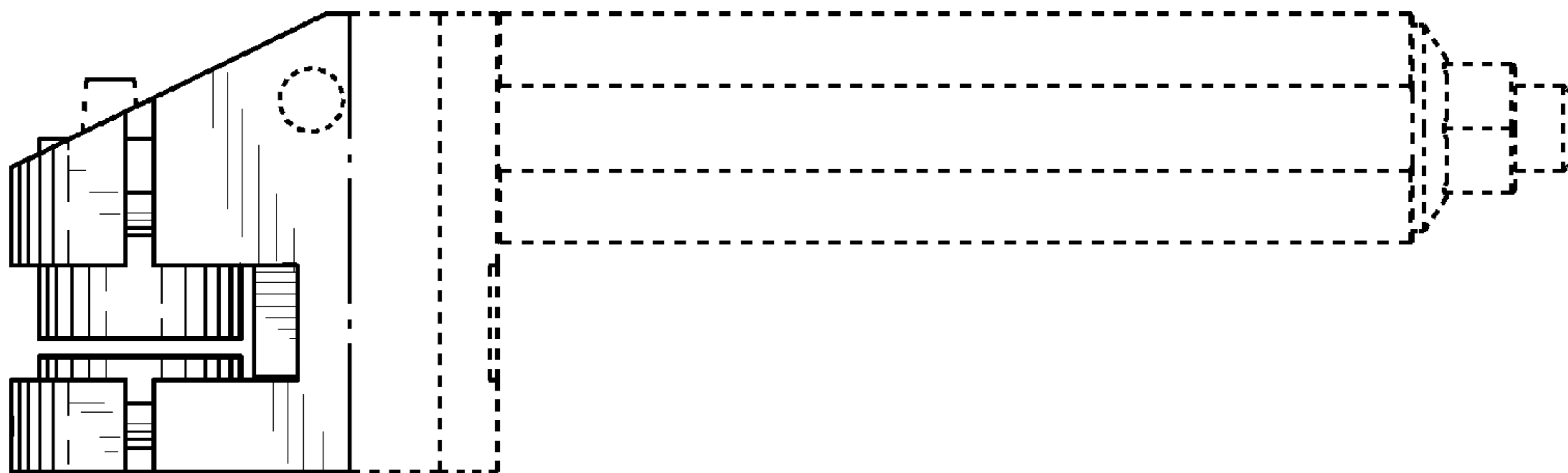


FIG. 5

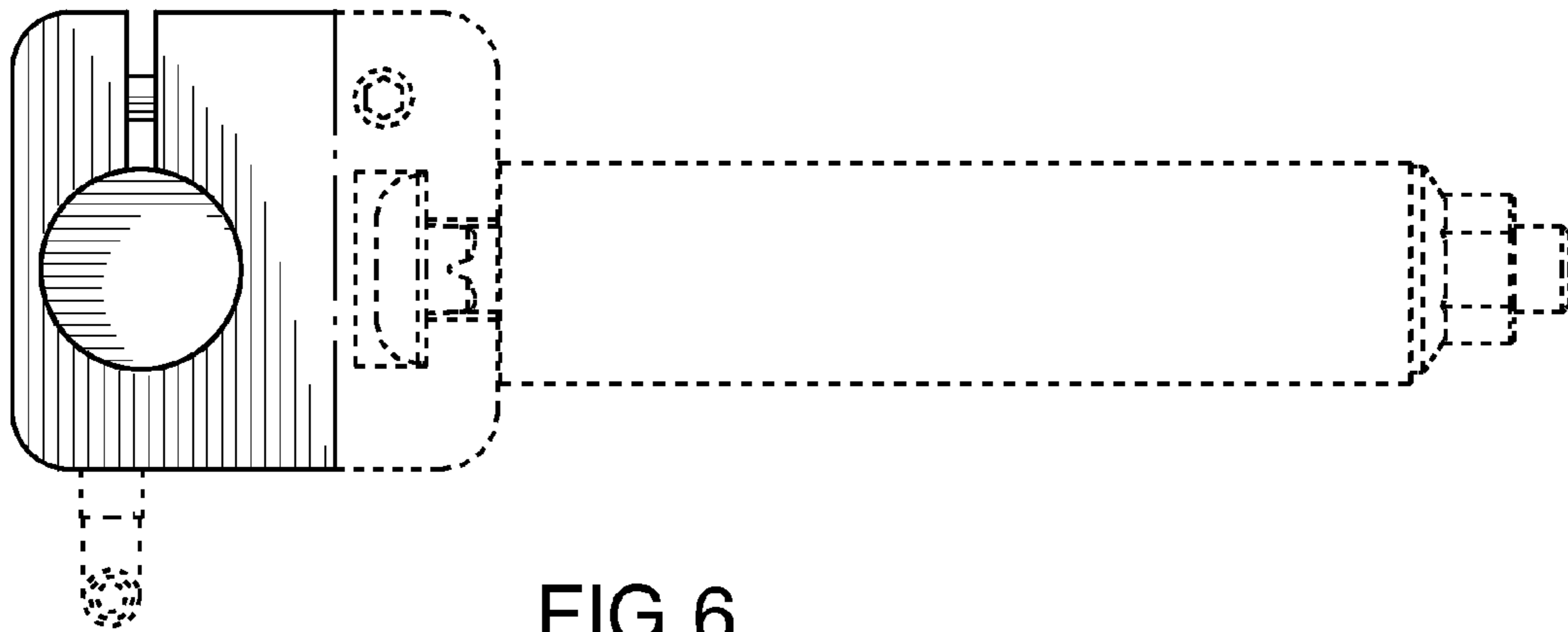


FIG. 6

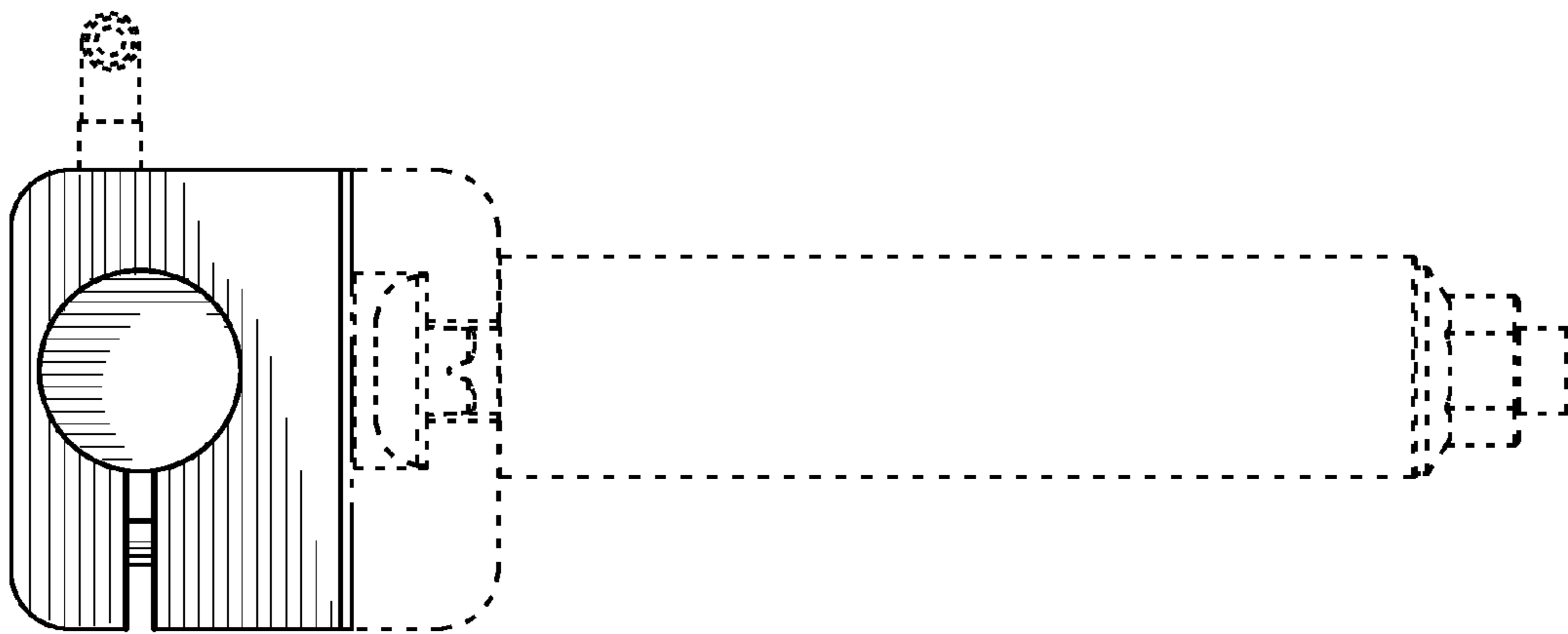


FIG. 7

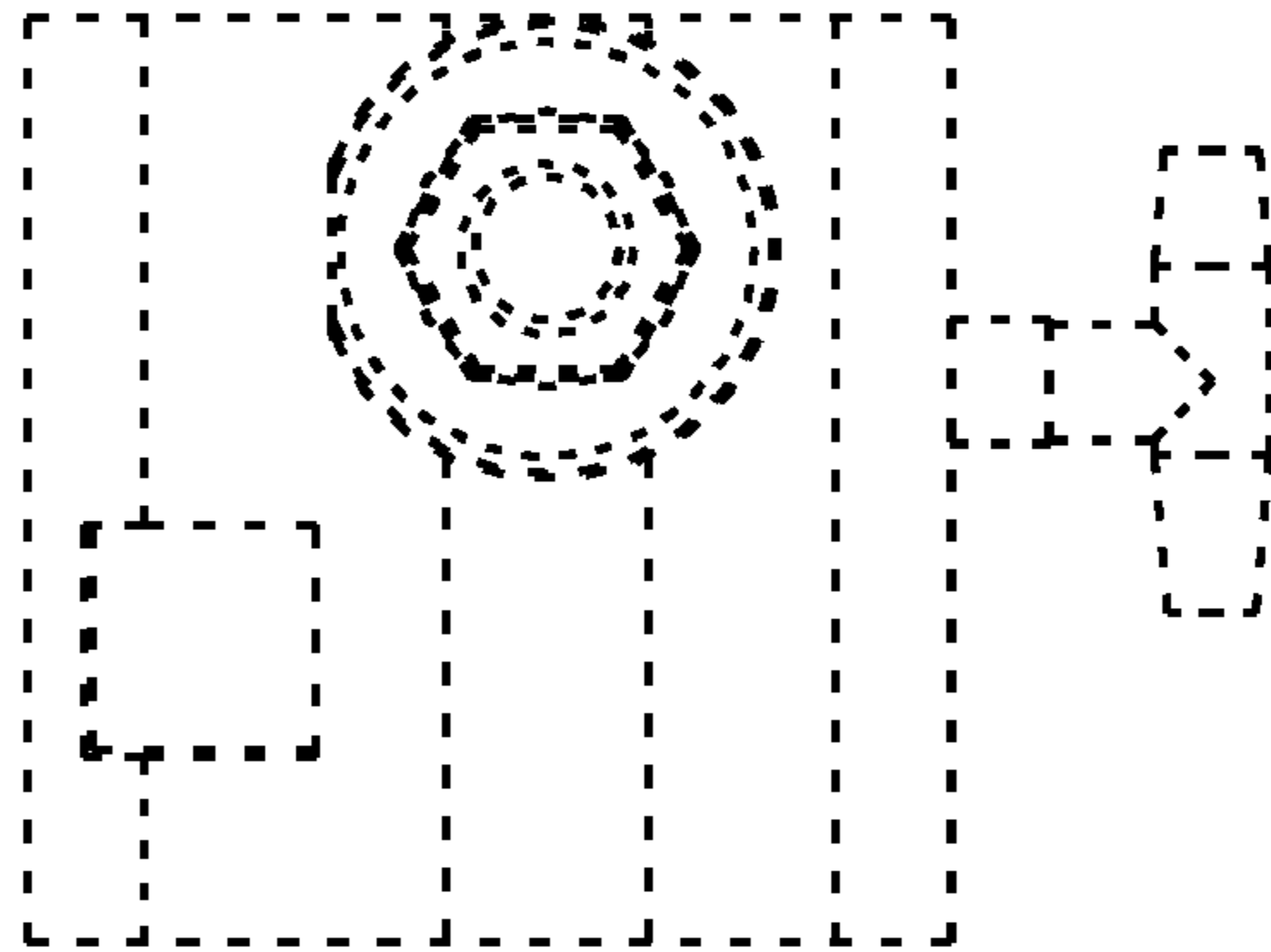


FIG. 8

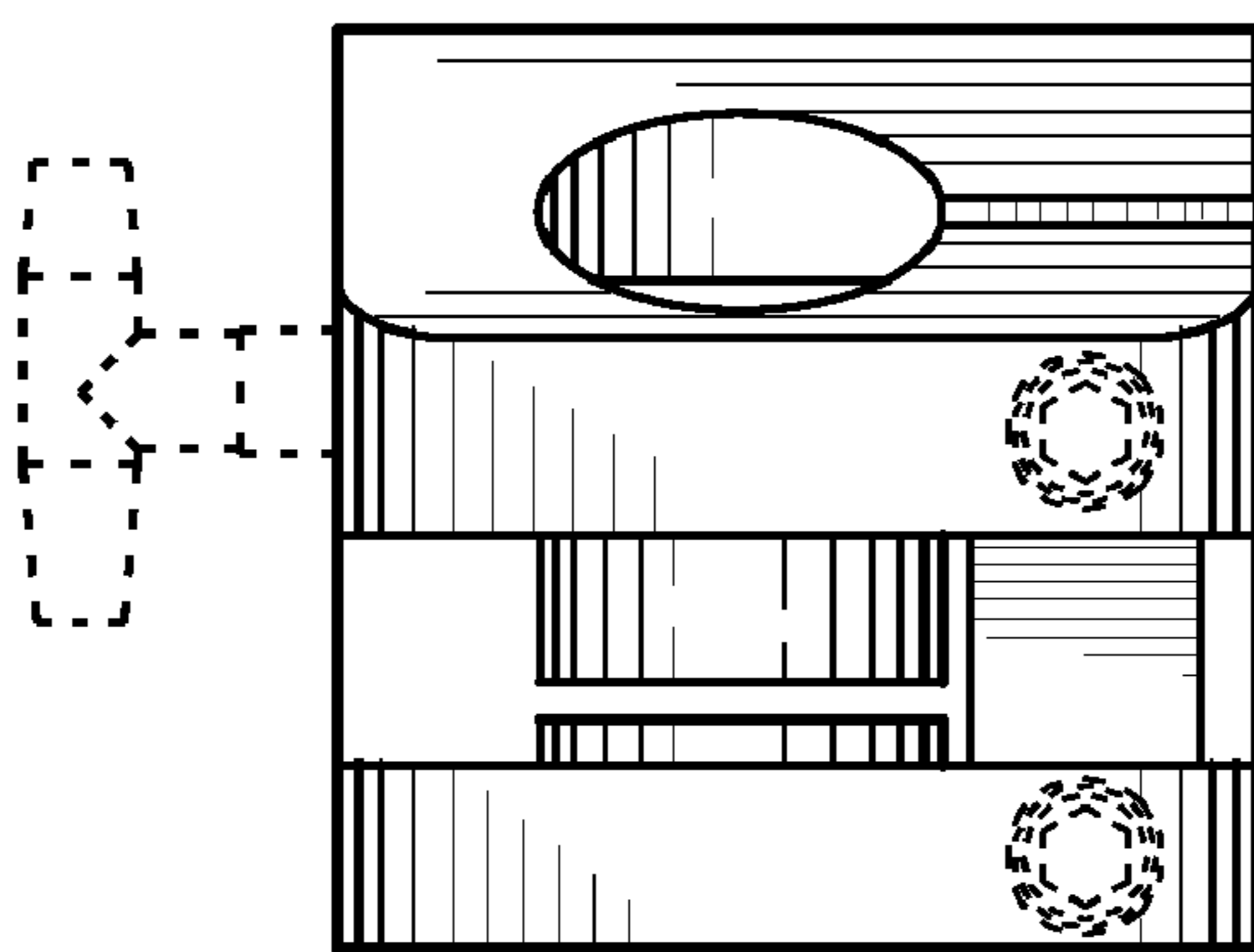


FIG. 9