



US00D654100S

(12) **United States Design Patent**
Scherl

(10) **Patent No.:** **US D654,100 S**

(45) **Date of Patent:** **** Feb. 14, 2012**

(54) **WET GRINDING MACHINE**

(75) Inventor: **Thomas Scherl, Ulm (DE)**

(73) Assignee: **Scheppach Fabrikation von
Holzbearbeitungsmaschinen GmbH,
Ichenhausen (DE)**

(**) Term: **14 Years**

(21) Appl. No.: **29/347,974**

(22) Filed: **Aug. 24, 2010**

(30) **Foreign Application Priority Data**

Feb. 26, 2010 (DE) EU 001 675 000

(51) **LOC (9) Cl.** **15-09**

(52) **U.S. Cl.** **D15/125**

(58) **Field of Classification Search** D15/123,
D15/124, 125, 126; 241/46.06, 261.3; 451/266,
451/365, 367

See application file for complete search history.

(56) **References Cited**

U.S. PATENT DOCUMENTS

D129,177 S * 8/1941 Pealer D15/125
D153,751 S * 5/1949 Apple D15/125

D180,549 S * 7/1957 Ernest D15/125
D505,683 S * 5/2005 Pfaff D15/124
D559,872 S * 1/2008 Pfaff D15/124
2002/0197942 A1 * 12/2002 Jansson 451/365
2005/0287934 A1 * 12/2005 Jansson 451/45
2008/0274678 A1 * 11/2008 Jansson 451/266

* cited by examiner

Primary Examiner — Patricia Palasik

(74) *Attorney, Agent, or Firm* — Bacon & Thomas, PLLC

(57) **CLAIM**

The ornamental design for a wet grinding machine, as shown and described.

DESCRIPTION

FIG. 1 is front perspective view of the wet grinding machine according to my/our invention;

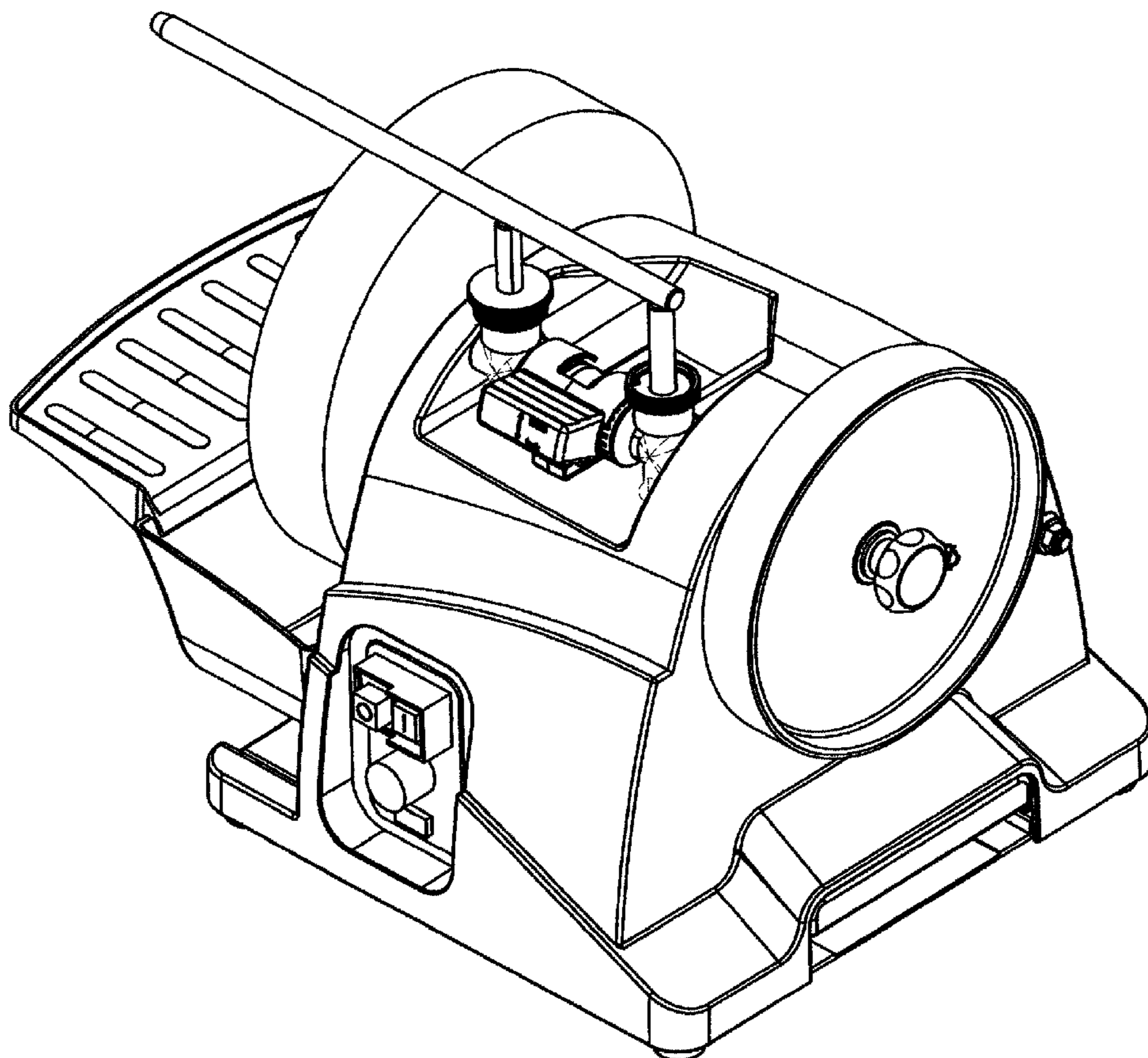
FIG. 2 is a rear left side view of the wet grinding machine according to my/our invention;

FIG. 3 is a rear view of the wet grinding machine according to my/our invention; and,

FIG. 4 is a rear right side view of the wet grinding machine according to my/our invention.

The broken lines in the drawings depict unclaimed environmental subject matter.

1 Claim, 4 Drawing Sheets



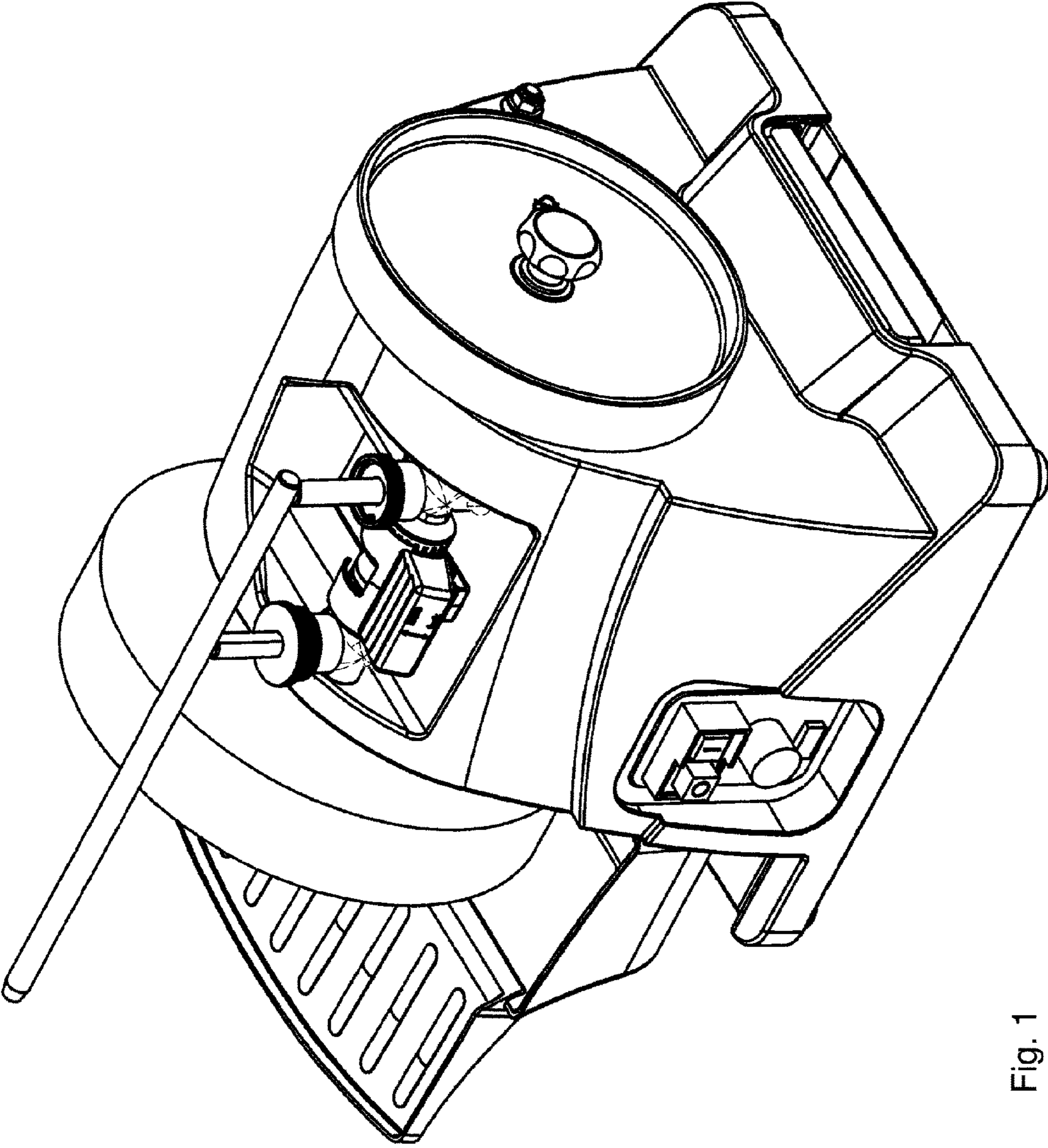


Fig. 1

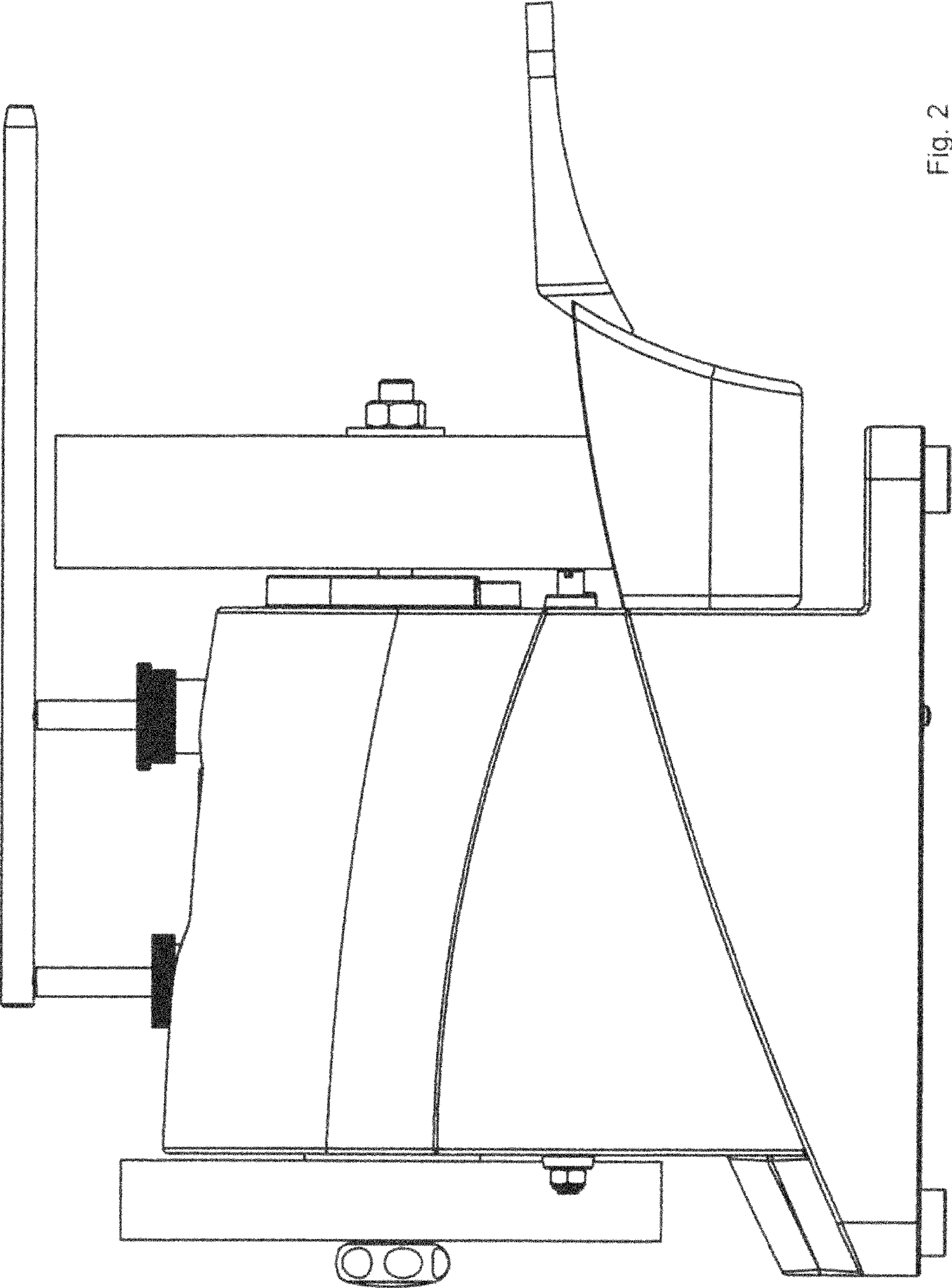


Fig. 2

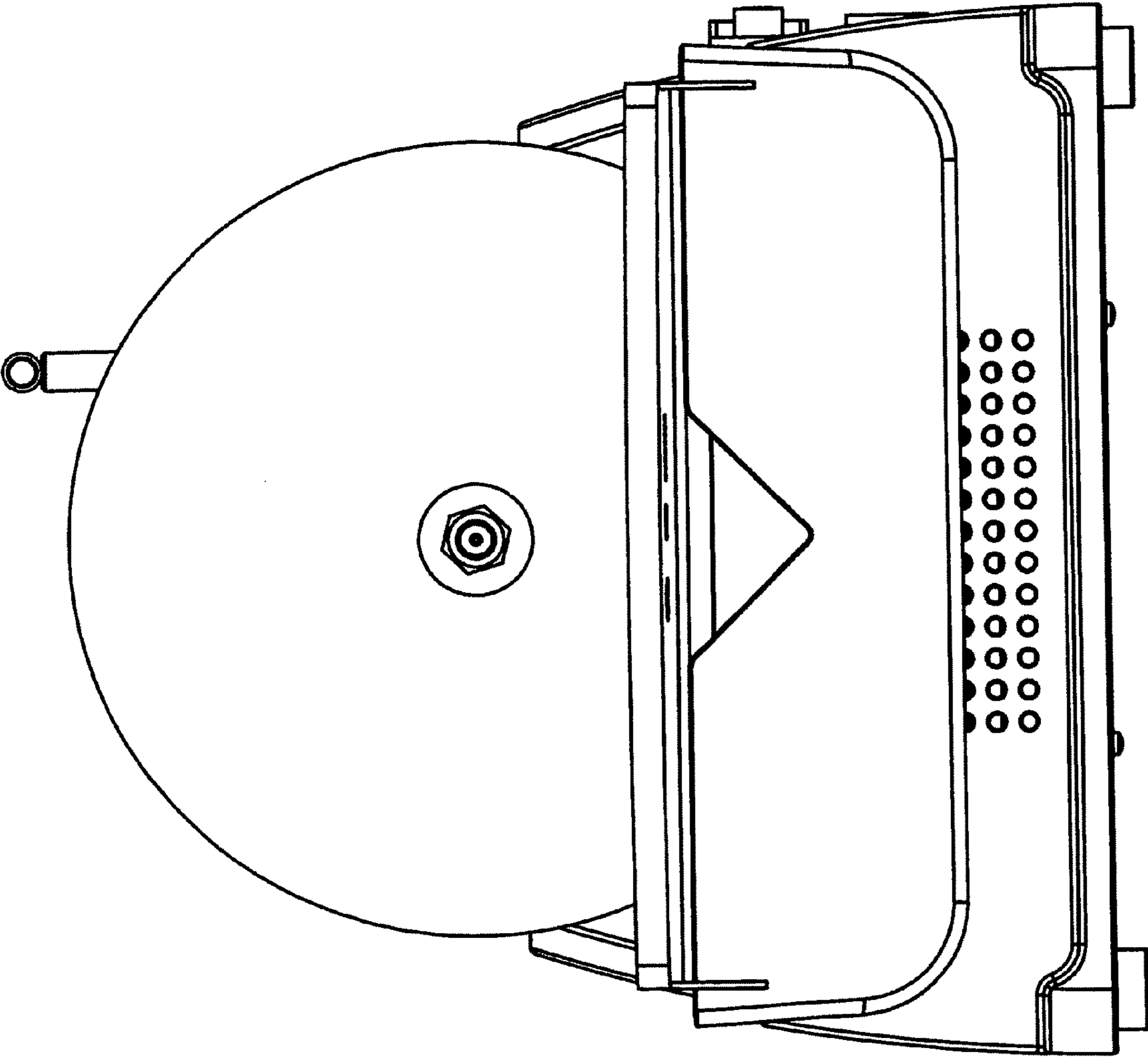


Fig. 3

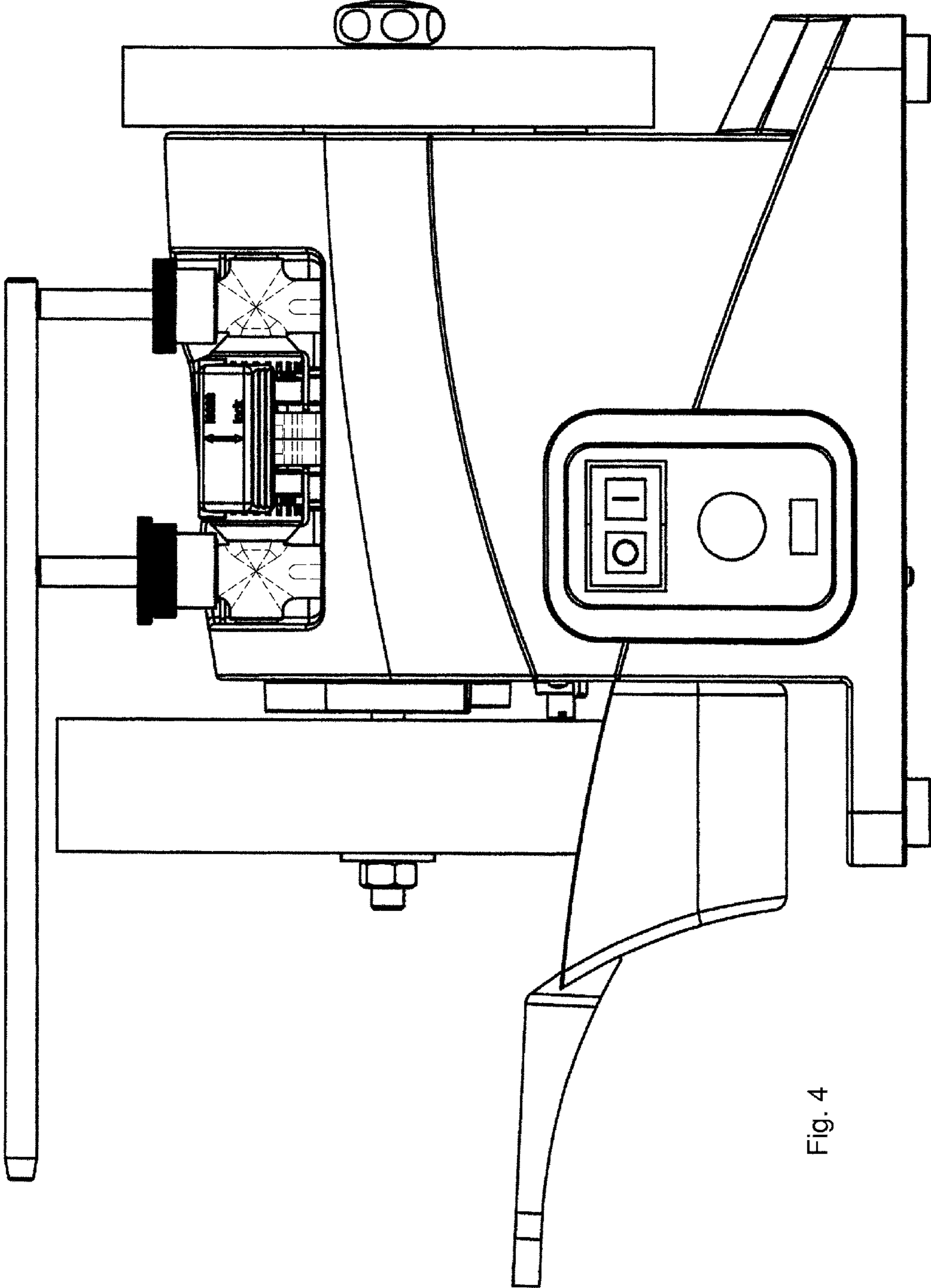


Fig. 4